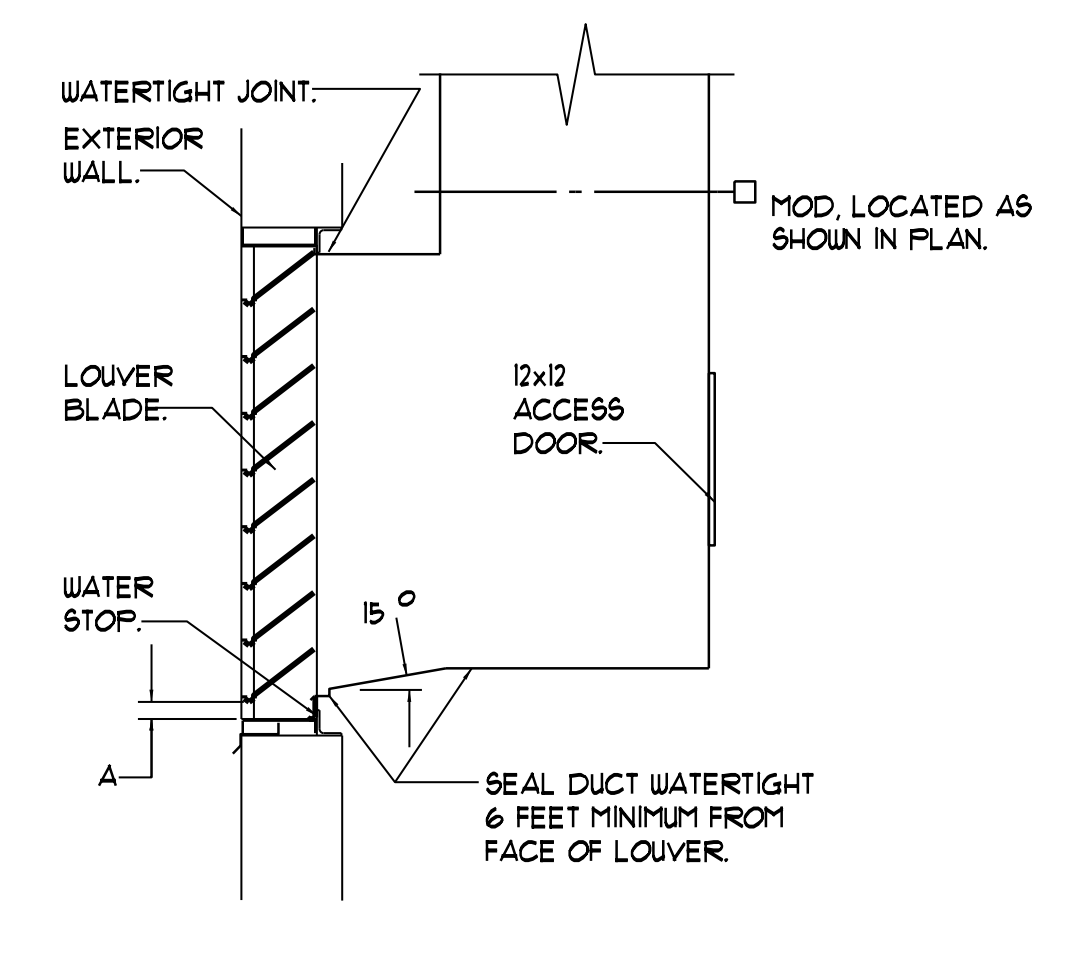
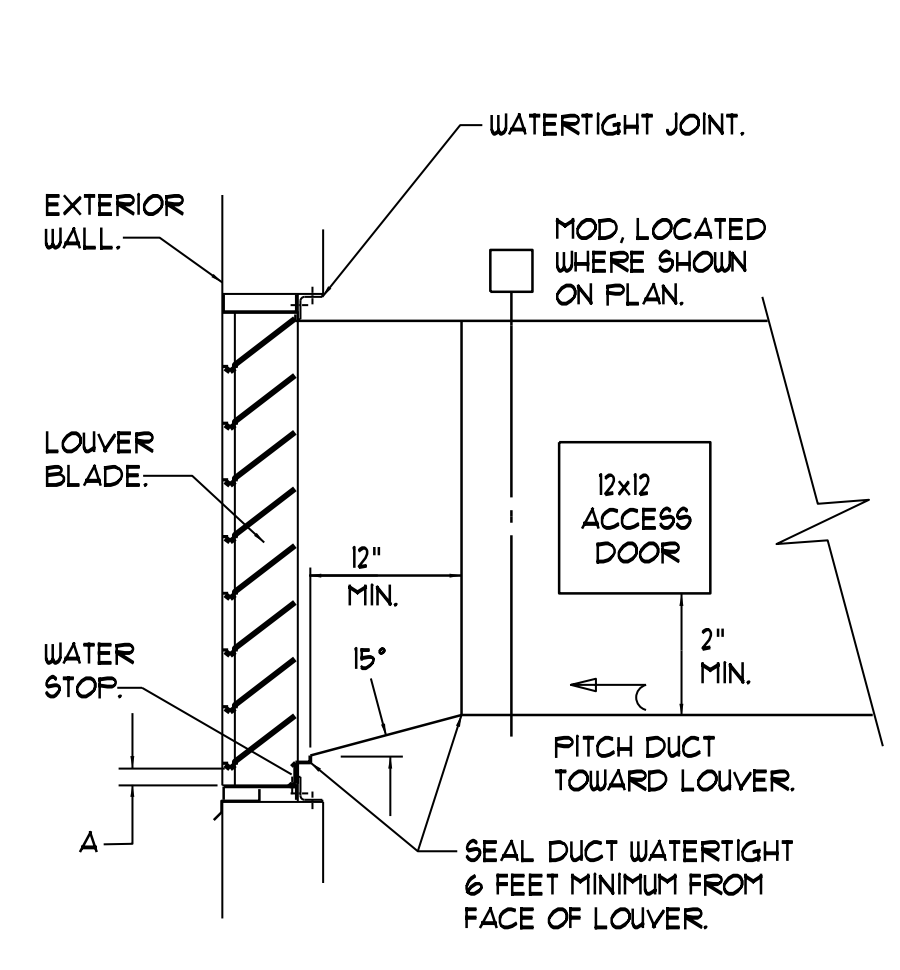


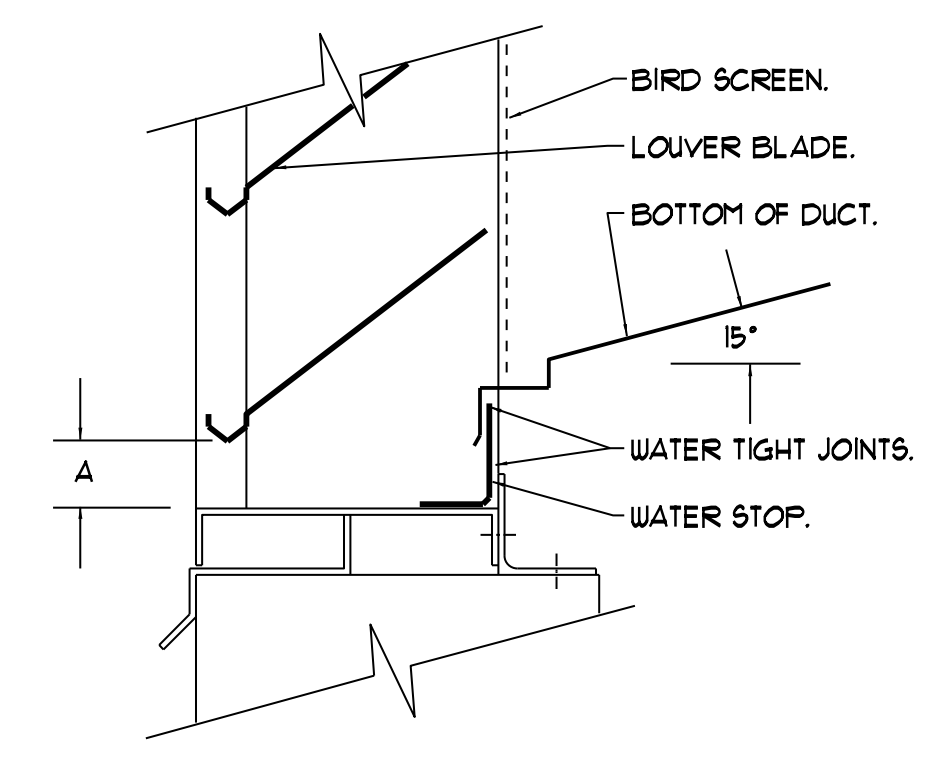
**LOUVER DETAIL WITH DUCT FROM BELOW**  
NTS  
NOTE IF DIMENSION "A" IS LESS THAN 1 INCH SEE MODIFIED LOUVER DETAIL THIS SHEET.



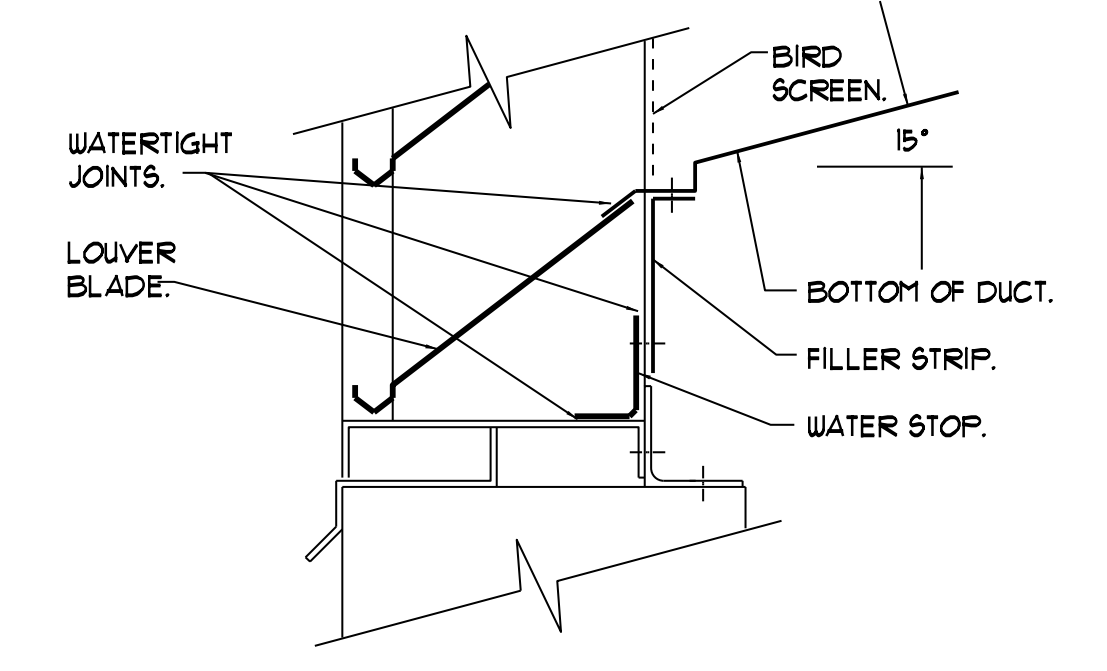
**LOUVER DETAIL WITH DUCT FROM ABOVE**  
NTS  
NOTE IF DIMENSION "A" IS LESS THAN 1 INCH SEE MODIFIED LOUVER DETAIL THIS SHEET.



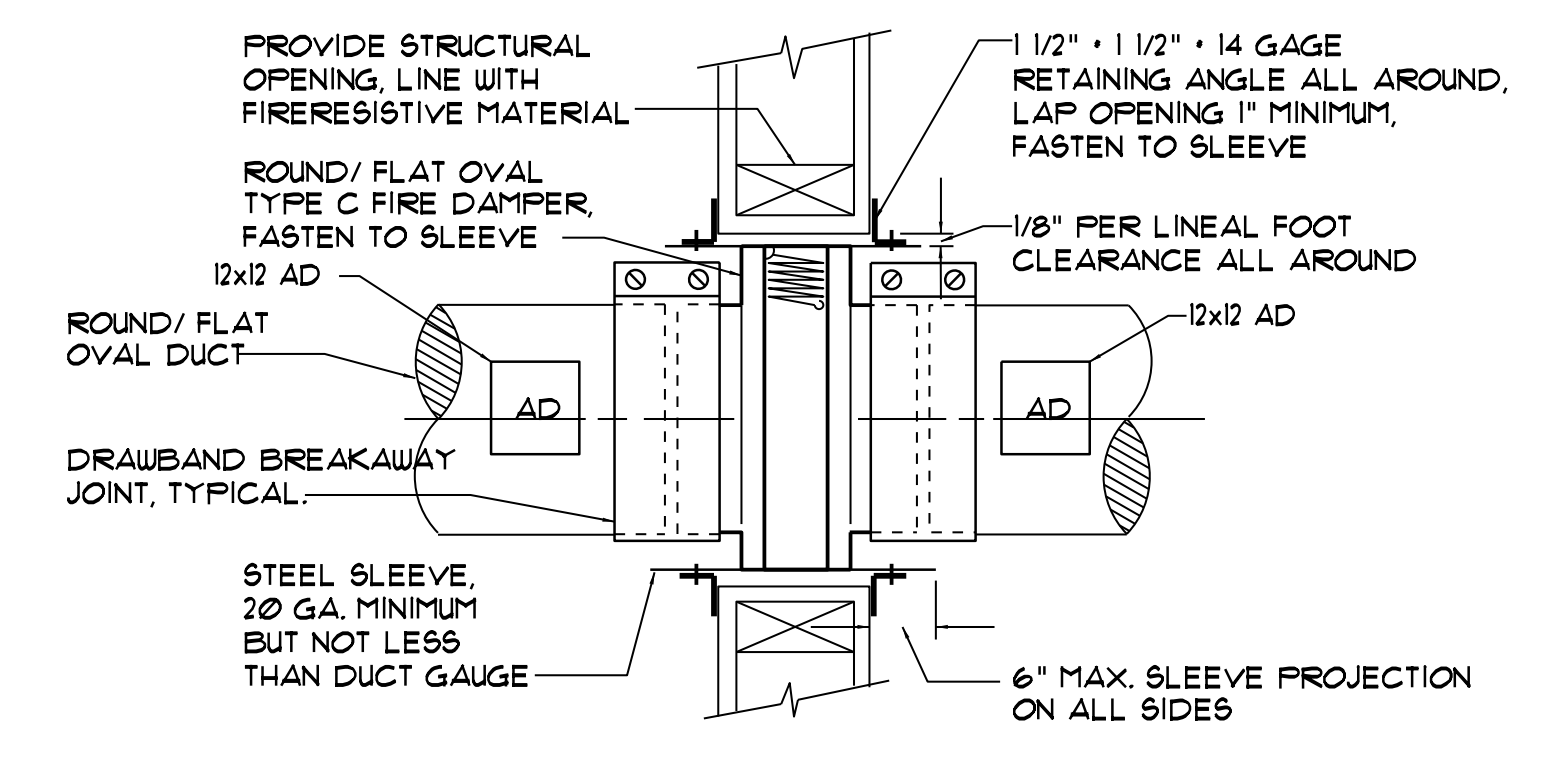
**LOUVER DETAIL WITH HORIZONTAL DUCT**  
NTS  
NOTE IF DIMENSION "A" IS LESS THAN 1 INCH SEE MODIFIED LOUVER DETAIL THIS SHEET.



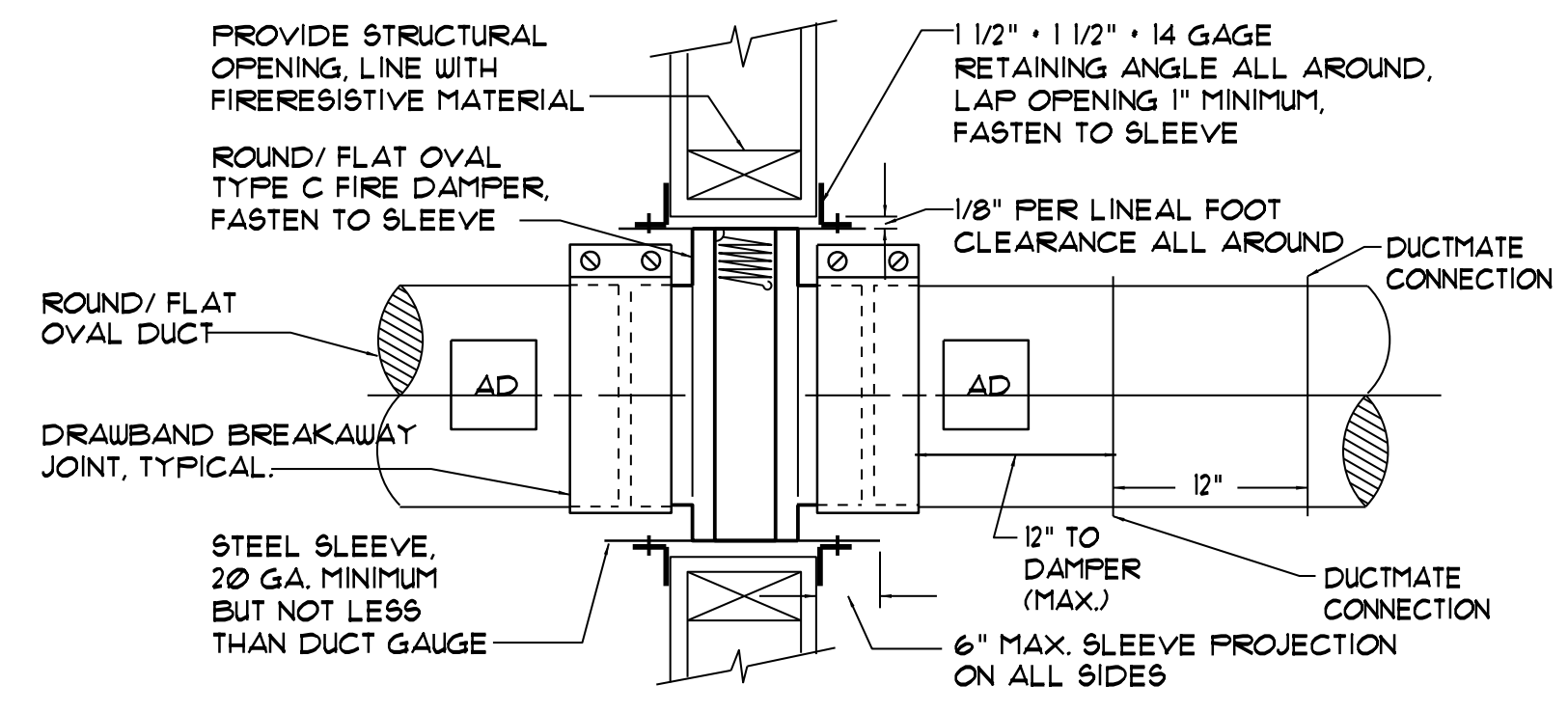
**LOUVER CONNECTION DETAIL**  
NTS  
NOTE TYPICAL FOR LOUVERS AND BLOCK VENTS. IF DIMENSION "A" IS LESS THAN 1 INCH SEE MODIFIED LOUVER DETAIL AT RIGHT (LOUVERS ONLY).



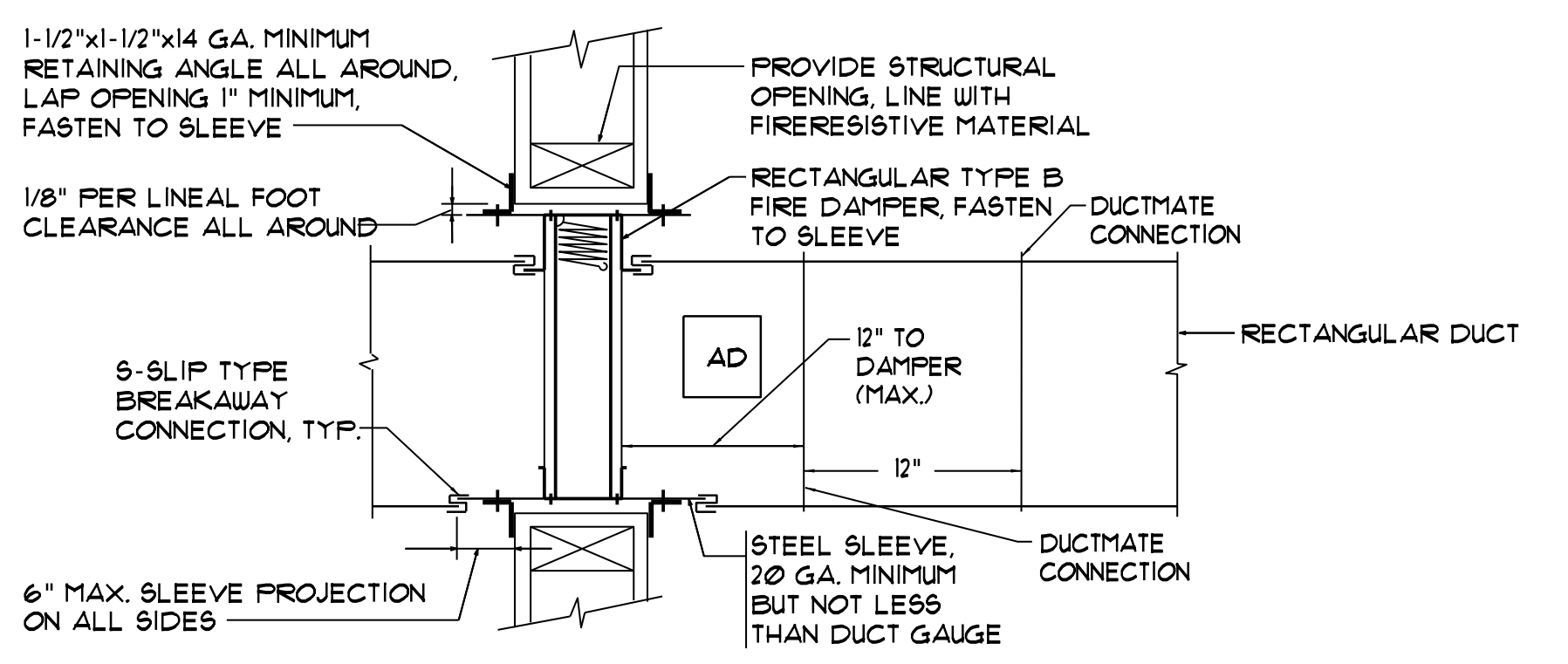
**MODIFIED LOUVER DETAIL**  
NTS



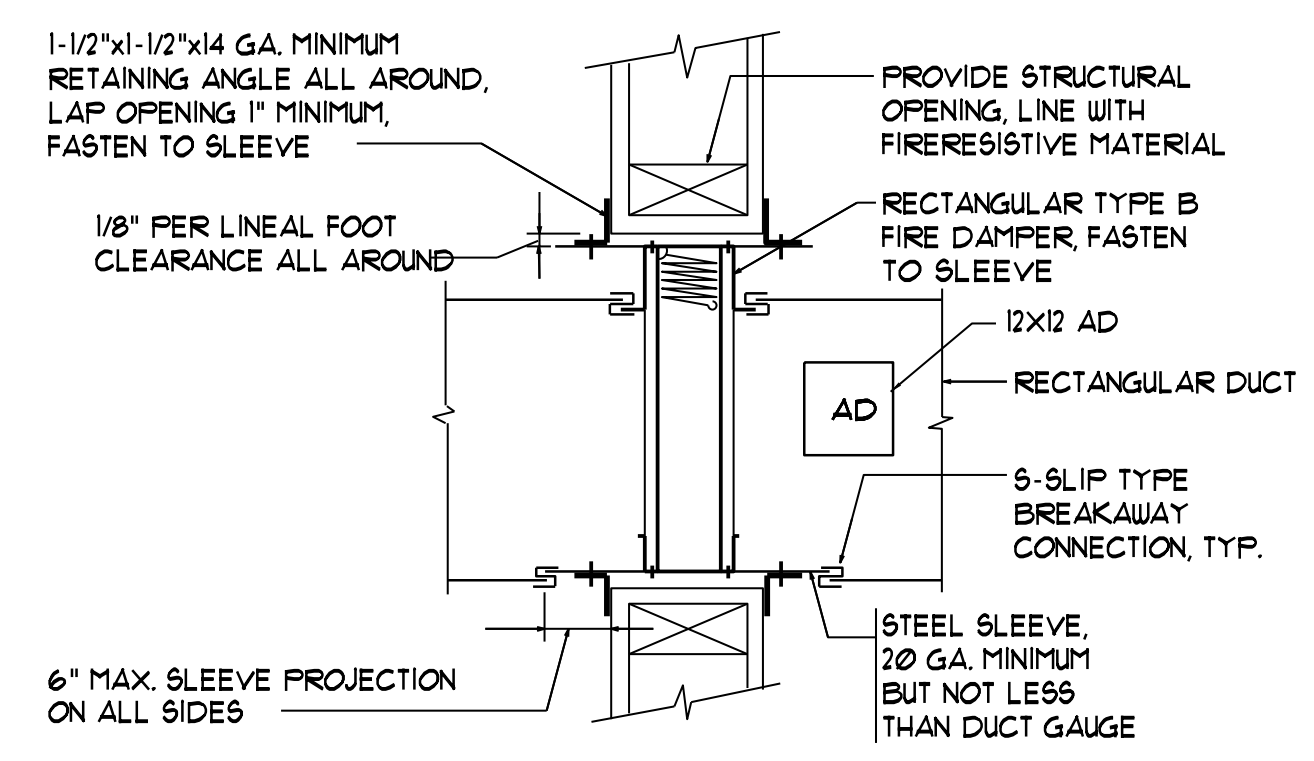
**ROUND/FLAT OVAL FIRE DAMPER INSTALLATION DETAIL**  
NTS



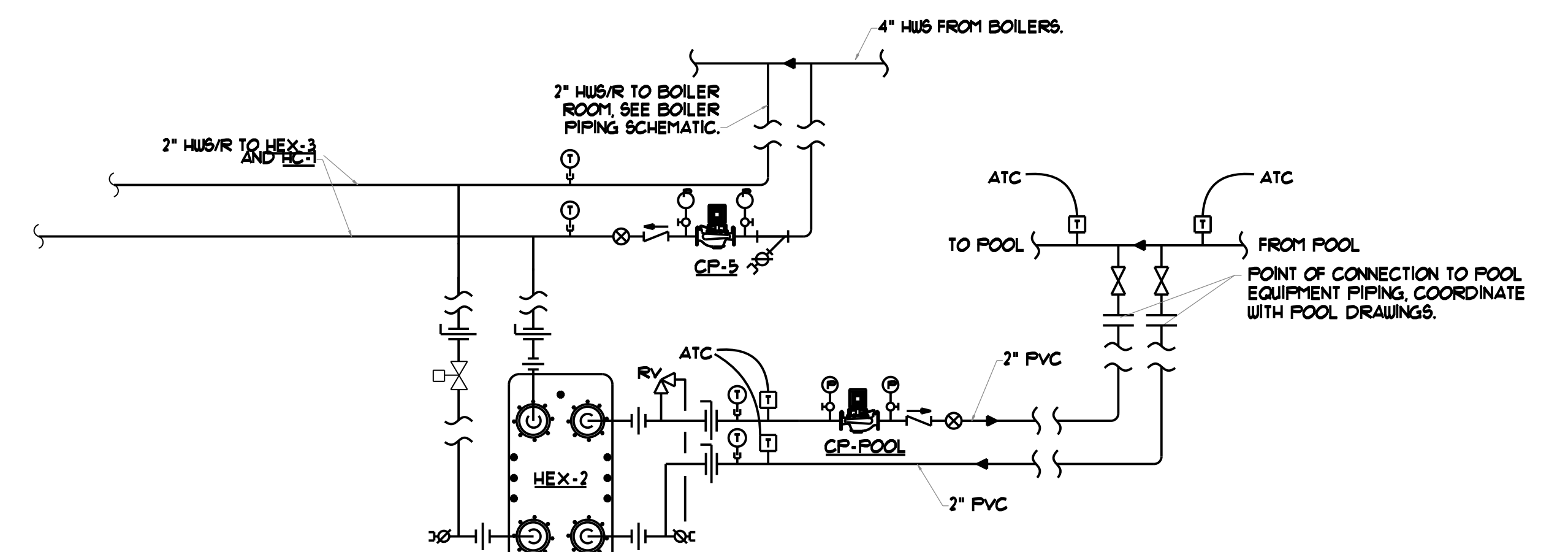
**ROUND/FLAT OVAL FIRE DAMPER INSTALLATION DETAIL WHERE A 12x12 ACCESS DOOR IS NOT POSSIBLE**  
NTS



**RECTANGULAR FIRE DAMPER INSTALLATION DETAIL WHERE 12x12 ACCESS DOOR IS NOT POSSIBLE**  
NTS



**RECTANGULAR FIRE DAMPER INSTALLATION DETAIL**  
NTS



**HEX-2 PIPING SCHEMATIC**  
NTS  
NOTES -  
1. INSTALL CP-POOL, CP-SPA BELOW POOL WATER PIPE ELEVATION.  
2. PUMPS CP-2 & CP-POOL, CP-SPA SHALL ENERGIZE ON A CALL FOR HEAT FROM THE POOL / SPA WATER SYSTEMS.  
3. HEX-2 SHOWN, HEX-3 FOR THE SPA IS SIMILAR.

REVISION	SCHEDULE	REVISION DESCRIPTION

**OPENEDGE**  
CONSTRUCTION CORPORATION  
11 CORPORATE DRIVE, BELMONT NH 03320  
PHONE (603) 337-9090 FAX (603) 337-9191

**MECHANICAL DETAILS**

PROJECT: **COMMERCIAL & MAPLE STREET MIXED USE DEVELOPMENT**  
PORTLAND, ME.

DATE: 06-06-2013  
SCALE: 1/8" = 1'-0"  
DRAWN BY: **MIO**  
SHEET: **10**

