

## DOOR & FRAME SCHEDULE

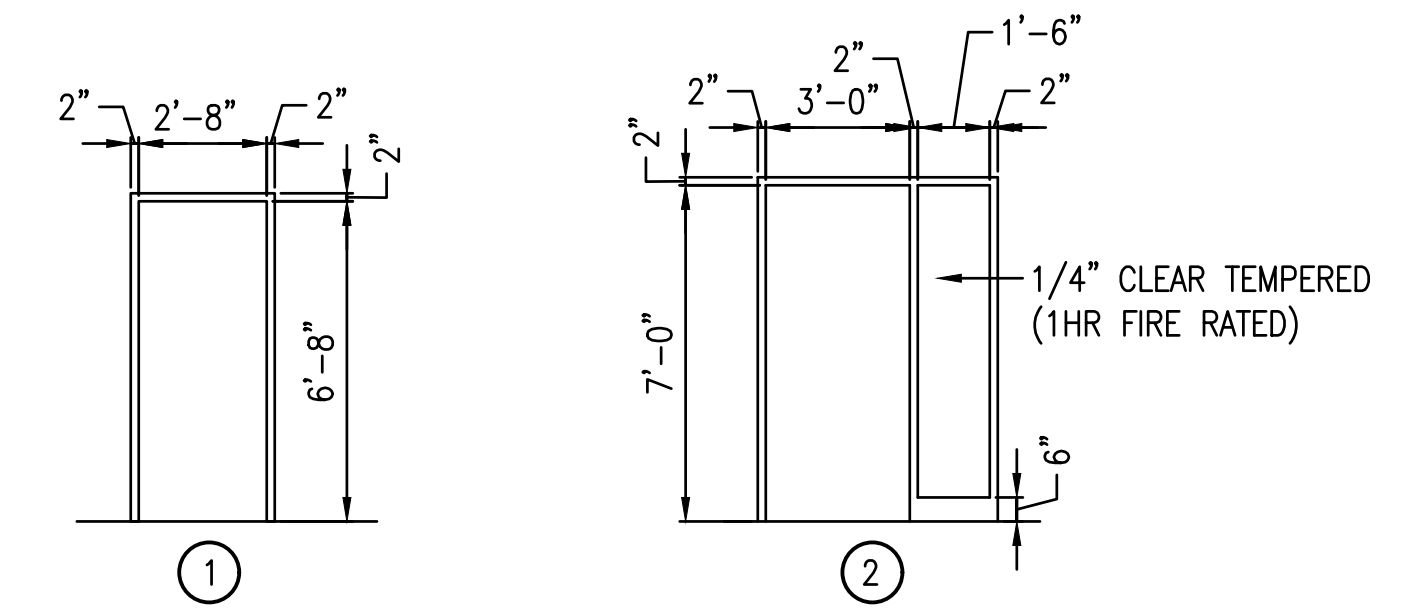
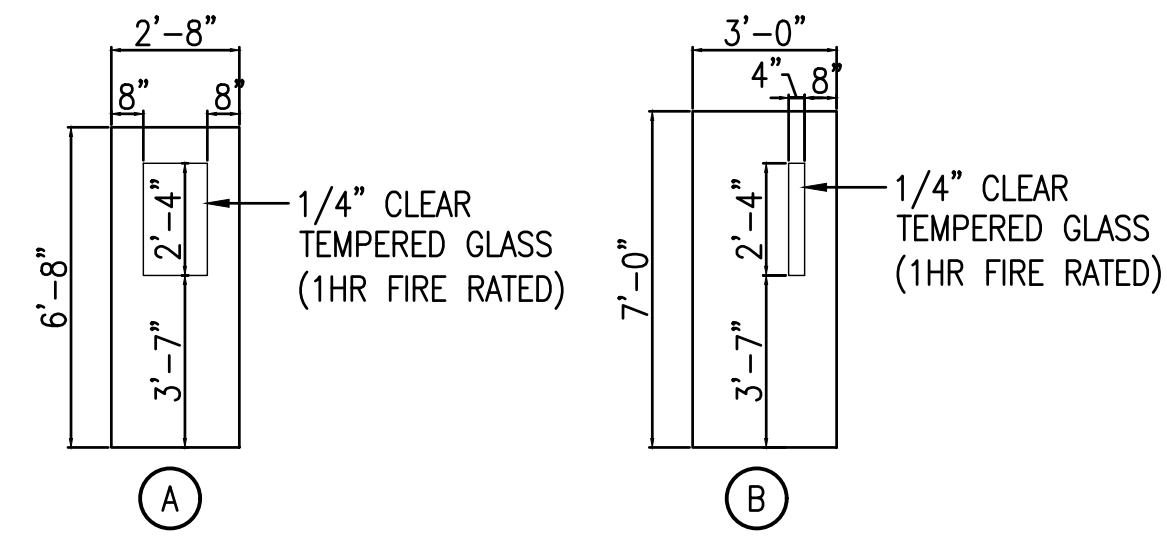
DOOR #	DESCRIPTION:	SIZE (RO)	THICKNESS	DOOR MATERIAL	DOOR TYPE	FIRE RATING	FRAME MATERIAL	FRAME TYPE	HDWR SET	DETAILS	REMARKS
101	VESTIBULE 101	5'-0" X 7'-2"	1 3/4"	WD/GL	B	1 HR	STEEL	2	1	1&2/A-601	
102	OFFICE 151	3'-0" X 6'-10"	1 3/4"	WD/GL	A	-	HM	1	-	1&2/A-601	RELOCATED DOOR, FRAME AND HARDWARE FROM PLOTTER RM 105

**NOTE:**

1. CONTRACTOR TO VERIFY EXISTING ROUGH OPENINGS, COORDINATE WITH STRUCTURAL.
2. CONTRACTOR TO VERIFY THROAT SIZES OF ALL DOOR FRAMES.
3. CONTRACTOR TO INSPECT ALL EXISTING DOORS, FRAMES & HARDWARE TO REMAIN AND PLACE IN GOOD WORKING ORDER.
4. COORDINATE ELECTRIC STRIKE OPTIONS AND PUSH BUTTON RELEASE WITH ELECTRICAL DRAWINGS.

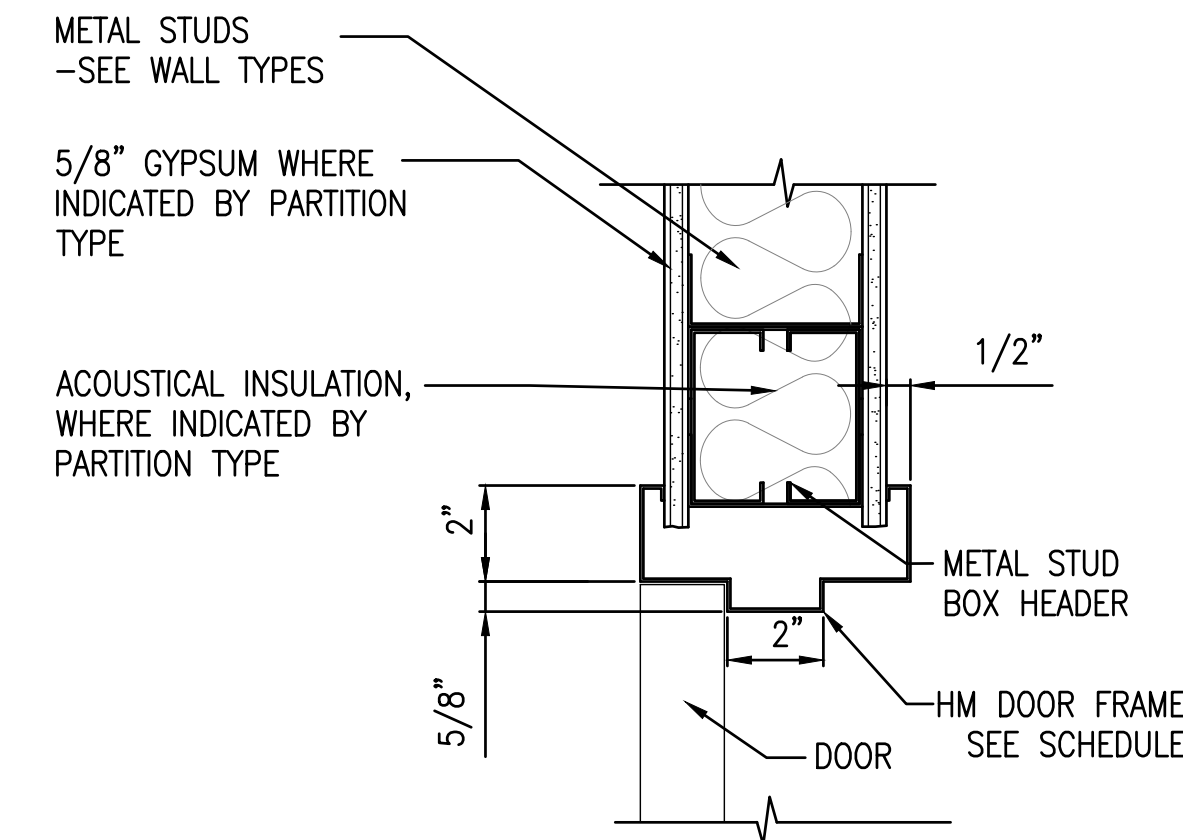
**HARDWARE SET #1**

- (3) SCHLAGE 3.5" SQUARE HINGE - SATIN - #1010-619 (OR APPROVED EQUAL)
- (1) SARGENT 8300 EXIT DEVICE - ELECTRIFIED TRIM 75 - NJ CENTRO LEVER - 26D FINISH (OR APPROVED EQUAL)
- (1) SARGENT 1431 ALUMINUM CLOSER - STANDARD ARM (O) - SATIN CHROME 26D (OR APPROVED EQUAL)
- (1) FLOOR MOUNTED DOOR STOP
- FIRE GASKETING



### DOOR TYPES

SCALE: 1/4" = 1'-0"

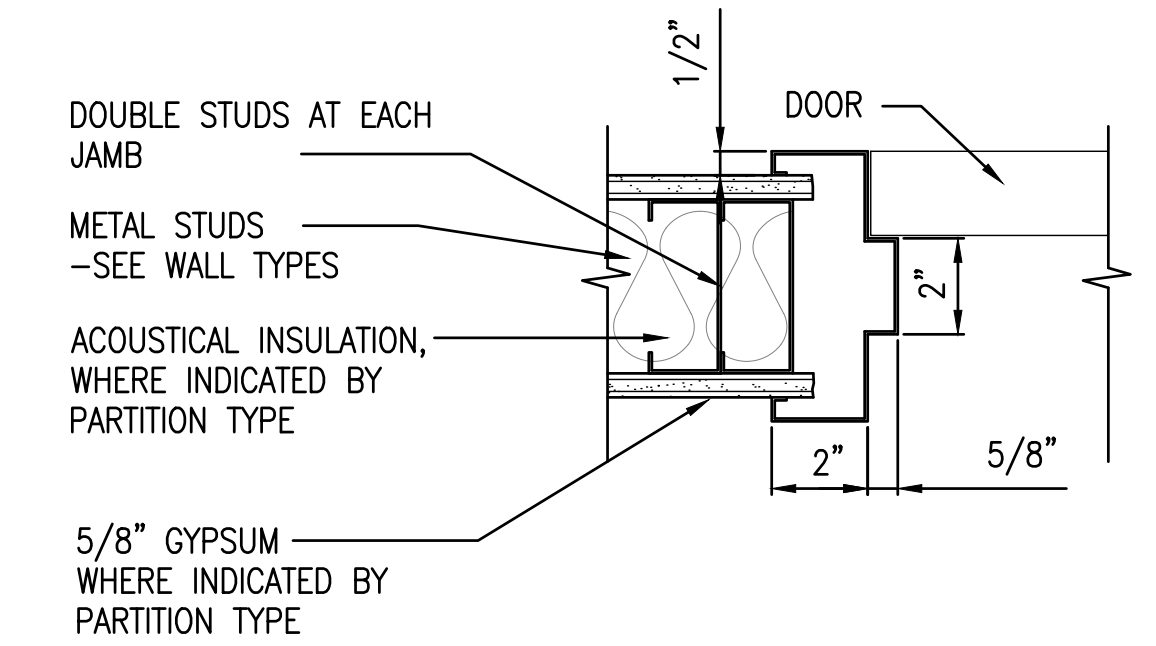


**1** A-601 **DETAIL - INTERIOR DOOR HEAD**  
SCALE: 3" = 1'-0"

NOTE: FIRE STOPPING SEALANT WHERE INDICATED BY PARTITION TYPE

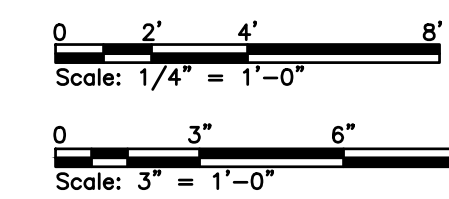
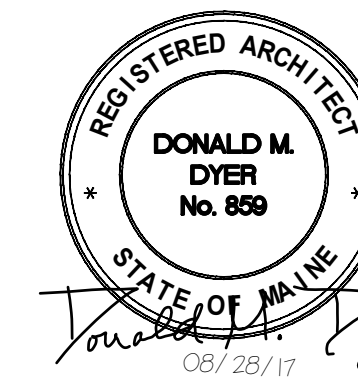
### FRAME TYPES

SCALE: 1/4" = 1'-0"



**2** A-601 **DETAIL - INTERIOR DOOR JAMB**  
SCALE: 3" = 1'-0"

NOTE: FIRE STOPPING SEALANT WHERE INDICATED BY PARTITION TYPE



PLEASE NOTE: THIS DOCUMENT MAY NOT ACCURATELY REPRESENT THE FINAL DOCUMENT. ONLY AN ENGINEER, ARCHITECT OR SURVEYOR SIGNED, SEALED AND DATED PAPER COPY, PROVIDED BY THIS OFFICE, MAY BE UTILIZED FOR BIDDING OR CONSTRUCTION PURPOSES.

<b>COLBY CO. ENGINEERING</b> 47A YORK STREET, PORTLAND MAINE			
NEW CUBICLE FIT-OUT/ OFFICE EXPANSION			
<b>FIRST FLOOR DEMOLITION PART PLAN</b>			
REV	DESCRIPTION	MAB	CBC 08/28/17
0	ISSUED FOR BIDDING	DWN	APP DATE
SIZE: ANSI D DATE: AUG 2017 DES BY: MAB DWN BY: MAB CKD BY: BLB		PROJECT NO: 262.002.001 SHEET 5 OF 19	
		<b>A-601</b>	