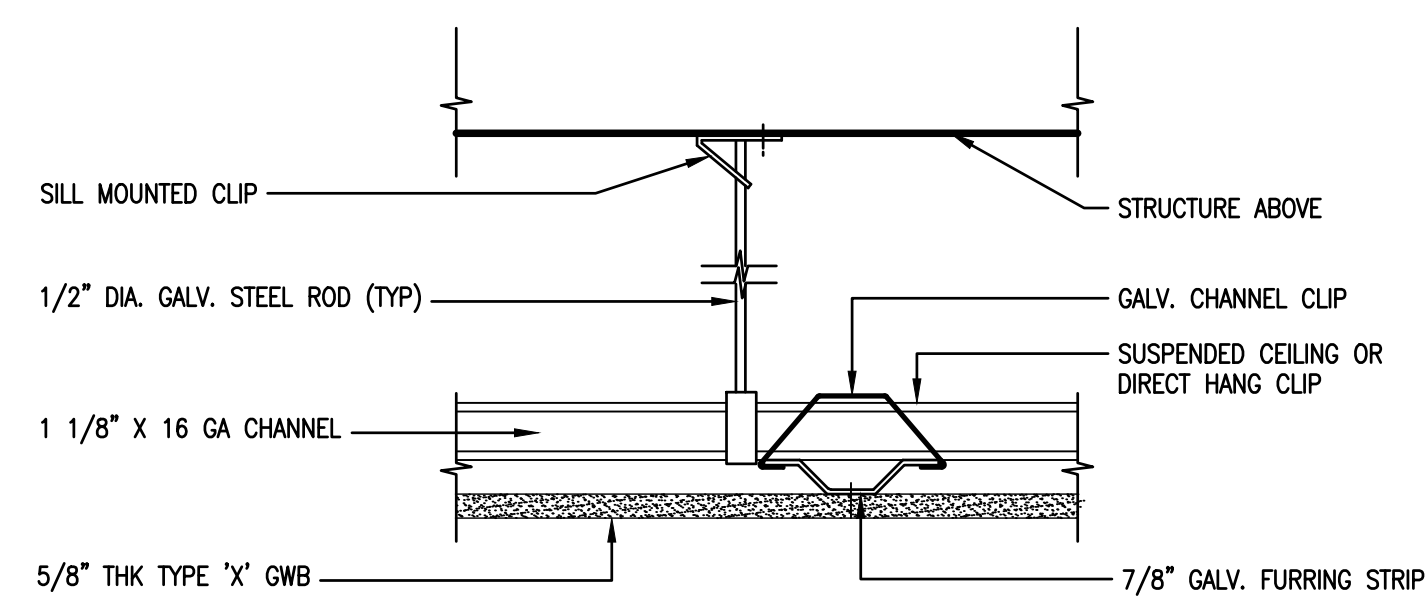
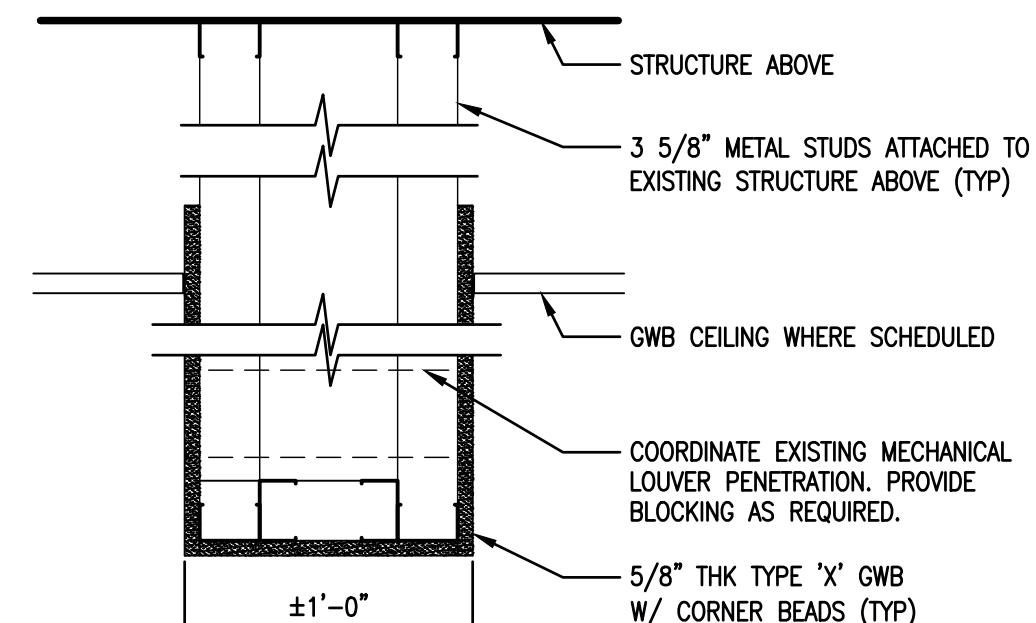


- 1 METAL STUD LOW PARTITION
 - 5/8" GYP. BD., BOTH SIDES
 - 3 5/8" METAL STUDS AT 16" OC
 - ACOUSTICAL BATT INSULATION
 - WHITE BIRCH WALL CAP AND TRIM
- 2 METAL STUD LOW PARTITION
 - 5/8" GYP. BD., BOTH SIDES
 - 3 5/8" METAL STUDS AT 16" OC
 - ACOUSTICAL BATT INSULATION
 - WHITE BIRCH WALL CAP AND TRIM
- 3 METAL STUD PARTITION - 1HR FIRE RATED - UL# U419
 - 5/8" TYPE 'X' GYP. BD. TO UNDERSIDE OF STEEL DECK, BOTH SIDES
 - 3 5/8" METAL STUDS AT 16" OC
 - ACOUSTICAL BATT INSULATION
 - PROVIDE FIRE RATED SEALANT TOP AND BOTTOM (TYP)
- 3A METAL STUD PARTITION W/ TRANSOM WINDOW-1HR FIRE RATED-UL# U419
 - 5/8" TYPE 'X' GYP. BD. TO UNDERSIDE OF STEEL DECK, BOTH SIDES
 - 3 5/8" METAL STUDS AT 16" OC
 - 1 HR RATED TRANSOM WINDOW W/ FROSTED GLASS
 - ACOUSTICAL BATT INSULATION
 - PROVIDE FIRE RATED SEALANT TOP AND BOTTOM (TYP)
- 4 METAL STUD PARTITION
 - 5/8" GYP. BD. TO UNDERSIDE OF EXISTING CEILING, BOTH SIDES
 - 3 5/8" METAL STUDS AT 16" OC
 - ACOUSTICAL BATT INSULATION
- 4A METAL STUD PARTITION W/ TRANSOM WINDOW
 - 5/8" GYP. BD. TO UNDERSIDE OF EXISTING CEILING, BOTH SIDES
 - 3 5/8" METAL STUDS AT 16" OC
 - 4" TRANSOM WINDOW W/ FROSTED GLASS
 - ACOUSTICAL BATT INSULATION
- 5 FURRED PARTITION
 - 5/8" GYP. BD. TO UNDERSIDE OF EXISTING CEILING
 - 3 5/8" METAL STUDS AT 16" OC

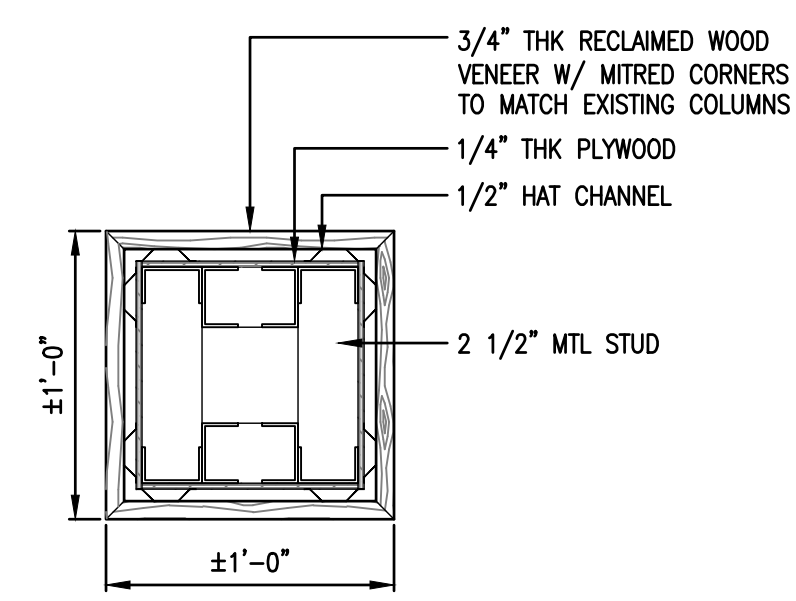
A PARTITION TYPES
A-501 SCALE: NTS



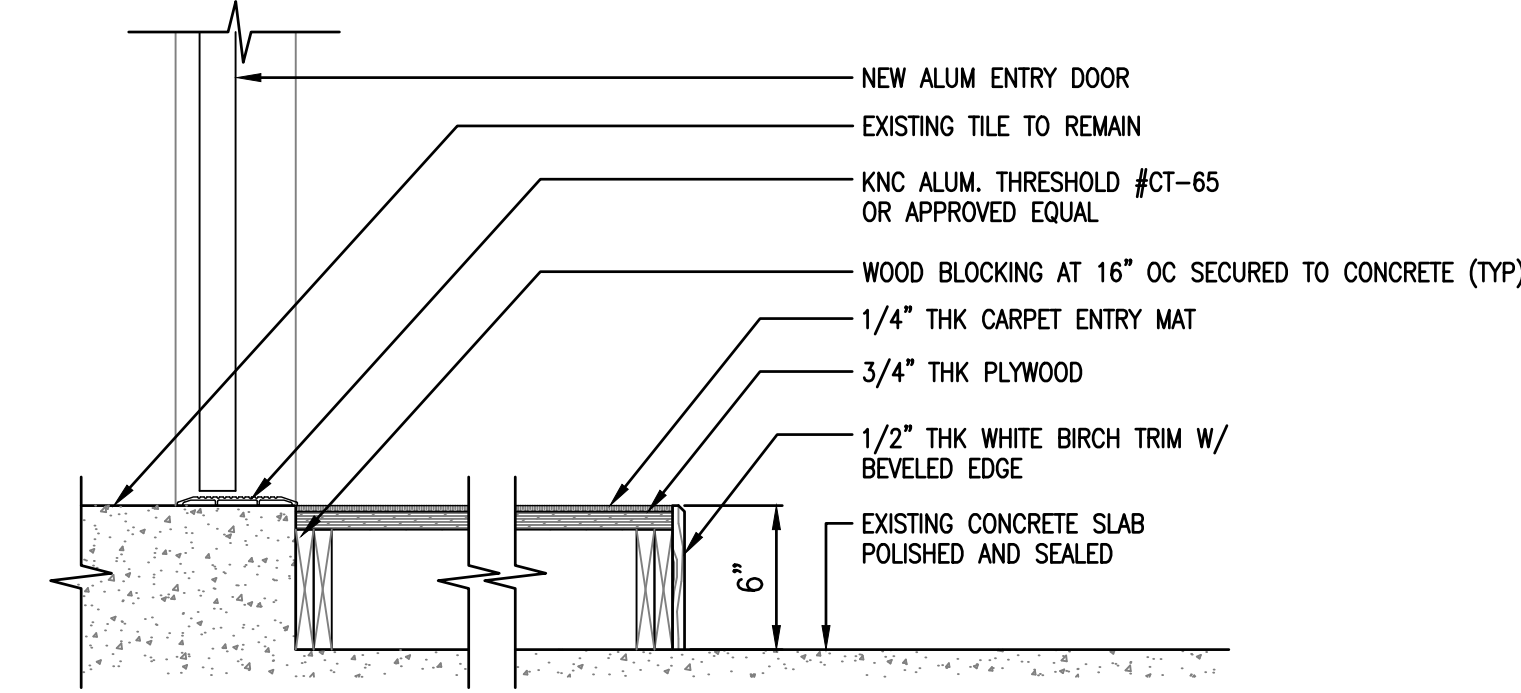
1 SECTION DETAIL - GYPSUM BOARD CEILING
A-501 SCALE: 3"=1'-0"



2 SECTION DETAIL - GYPSUM BOARD SOFFIT
A-501 SCALE: 1 1/2"=1'-0"

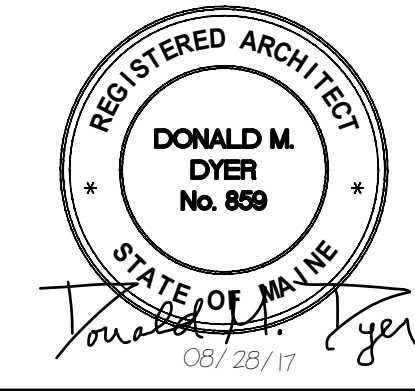
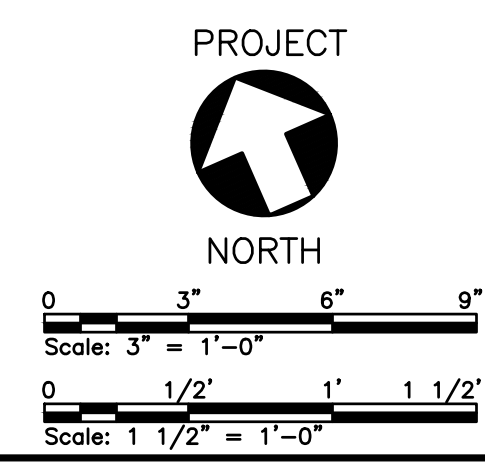


3 PLAN DETAIL - COLUMN
A-501 SCALE: 1 1/2"=1'-0"



4 SECTION DETAIL - ENTRY PLATFORM
A-501 SCALE: 1 1/2"=1'-0"

X:\262 Colby Company\262.002.001 - Office Renovation\2017\Drawings\Sheets\A-501.dwg - 8/28/2017 11:33 AM - ZACH JONES



PLEASE NOTE: THIS DOCUMENT MAY NOT ACCURATELY REPRESENT THE FINAL DOCUMENT. ONLY AN ENGINEER, ARCHITECT OR SURVEYOR SIGNED, SEALED AND DATED PAPER COPY, PROVIDED BY THIS OFFICE, MAY BE UTILIZED FOR BIDDING OR CONSTRUCTION PURPOSES.

				COLBY CO. ENGINEERING 47A YORK STREET, PORTLAND MAINE	
				NEW CUBICLE FIT-OUT/ OFFICE EXPANSION	
				PARTITION AND CEILING TYPES AND DETAILS	
0	ISSUED FOR BIDDING	MAB	CBC	08/28/17	
REV	DESCRIPTION	DWN	APP	DATE	
		SIZE:	ANSI D		PROJECT NO.
		DATE:	AUG 2017		262.002.001
		DES BY:	MAB		SHEET
		DWN BY:	MAB		11 OF 19
		CKD BY:	BLB		A-501

