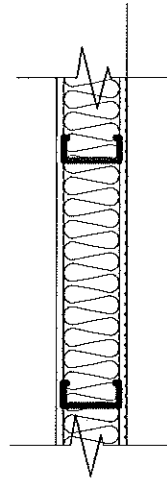


NEW 3 5/8" MTL STUDS SIZE GAUGE PER MANUF. RECOMM. AND SPACE 16" O.C.; 1/2" GPDW BOTH SIDES; FILL WITH FULL BATT INSUL.

X TYPICAL ALL INTERIOR PARTITIONS U.O.N.



NEW 3 5/8" MTL STUDS SIZE GAUGE PER MANUF. RECOMM. AND SPACE 16" O.C.; 5/8" F.R. GPDW BOTH SIDES; FILL WITH FULL BATT INSUL.

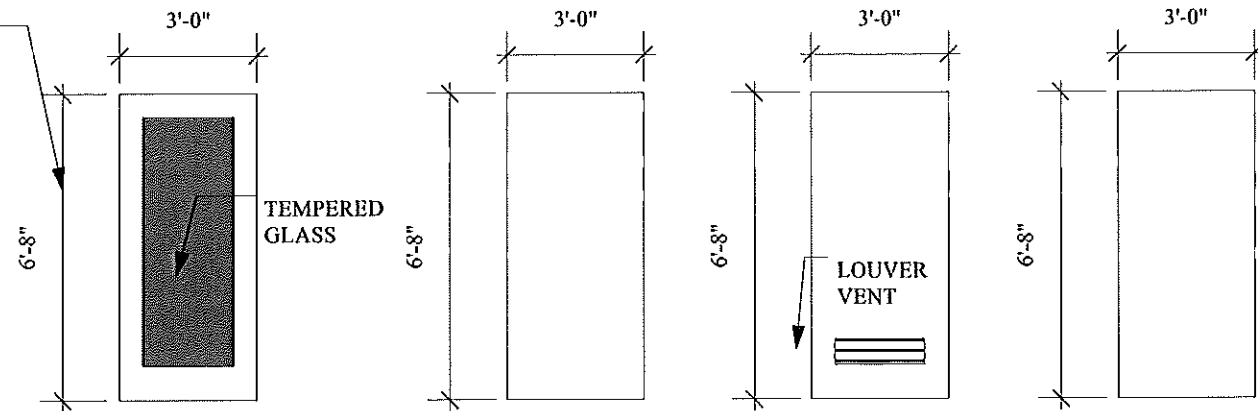
1HR 1 HOUR FIRE RATED PARTITION

ADD LAYER OF 5/8" F.R. GPDW TO TENANT SIDE OF EXIST. WALLS BORDERING HALLS OR OTHER TENANT SPACES (ANY SPACE NOT PART OF THAT TENANT) IF NO DRYWALL ON TENANT SIDE OF SPACE YET, TYP. SEE PLAN.

PARTITION TYPES:

NOTE: SEAL ALL WALLS AT COLUMNS, BEAMS & DECK TIGHT TO MAKE SMOKE PROOF. ALL WALLS TO GO UP TO DECK THEREFORE, INFILL BETWEEN JOISTS IF NECESSARY.

CAN CHANGE GLASS AND DOOR HEIGHT TO 7 FEET IF MATCHES REST OF DOORS ON FLOOR; TYP ALL DOORS.



PATIO TYPE CHOSEN BY OWNER
BIRCH 1 3/8" TK
FINISH PER OWNER'S DIRECTION
DOORS 103, 104, 107, 108, 109, 111, 112, 113, 115, 116

SOLID CORE
BIRCH 1 3/8" TK
FINISH PER OWNER'S DIRECTION
DOORS 101B, 102, 106

SOLID CORE
BIRCH 1 3/8" TK
WITH LOUVER (ASK OWNER)
FINISH PER OWNER'S DIRECTION
DOOR 105 (SERVER)

1 HOUR FIRE RATED
SOLID CORE
STEEL 1 3/4" TK
FINISH PER OWNER'S DIRECTION
DOOR 114 (MECH ROOM)

DOOR TYPES
1/4" = 1'-0"

NOTES:

1. ALL DOORS IN HM FRAME (EXCEPT REUSED ENTRY DOOR FRAMED PER OWNER'S DIRECTION).
2. DOOR 101A TO BE SMOKEPROOF 20 MIN. RATED.
3. DOORS 101A, 101B AND 114 TO HAVE CLOSERS.
4. DOOR 114 TO BE 1 HOUR RATED.
6. ALL DOORS HARDWARE TO BE MATT SILVER FINISH; LEVER HANDLES; 3 BUTTS; LOCKSETS PER OWNERS DIRECTION; ALL DOORS CAN OPEN FROM INSIDE WITHOUT KEY EVEN WHEN LOCKED; ALL DOORS ARE 3' WIDE.
7. ANY GLAZING IS TO MATCH OWNERS OFFICES.
8. ALL THRESHOLDS TO BE ACCESSIBLE (1/2" MAX.)
9. SEE OWNER FOR BASE, FLOOR, PAINT, ETC. FINISHES.
10. ALL FINISHES TO BE PER CODE IN STAIRS.

Drawing Number

A0.1

Project Title
DOORS, PARTITIONS, ETC.

Date: 2/8/13
Project Number: 13.01
Reference: N/A

J.B. Brown & Sons, Inc.
30 Danforth Street
Portland ME 04101

Project Title
Suite 102 Bendett & McHugh

Copyright: 2013 Michael Belleau Architect
61 Pleasant Street Portland ME 04101 (207)874-7668
www.michaelbelleau.com Maine Licensed Architect



Note: Do not scale these drawings. These drawings are approximate. Contractor to verify all dimensions in field. This drawing property of Michael Belleau Architect and not to be copied or reproduced in part or whole. Copyright: 2013 Michael Belleau Architect

**BUILDING PERMIT SET
FOR CONSTRUCTION**