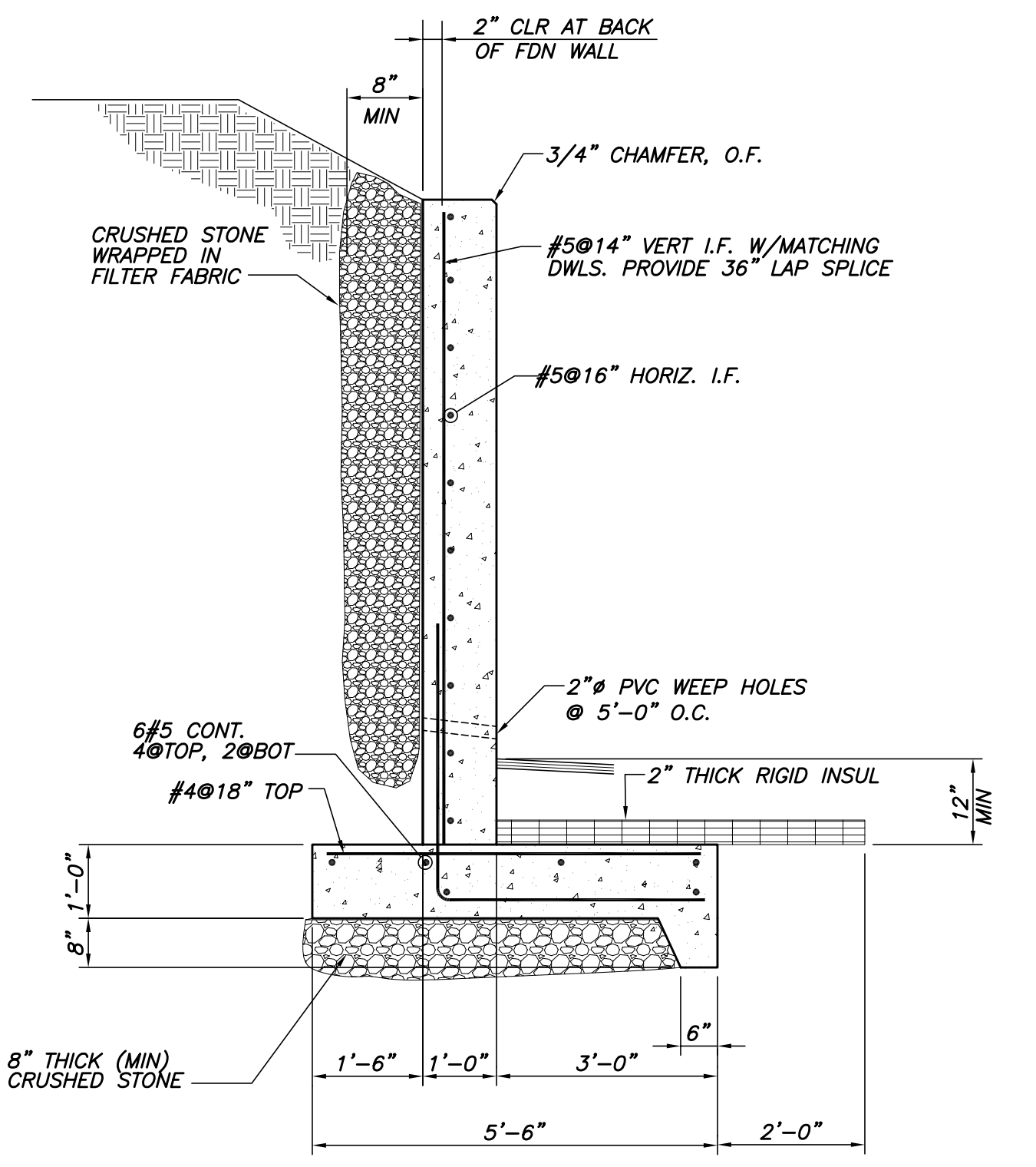
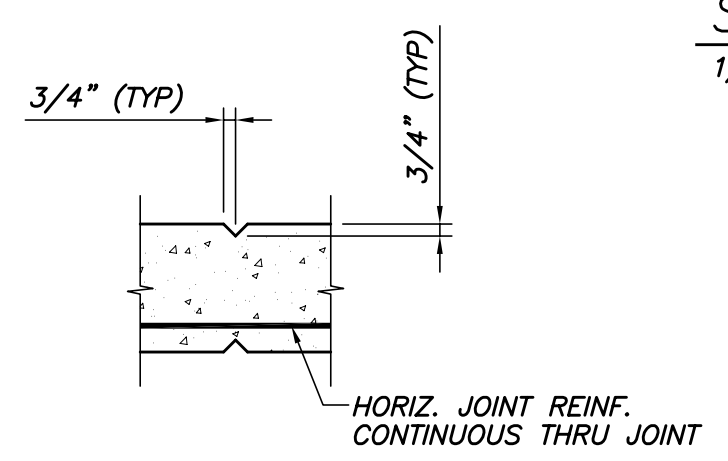


SECTION 1
1/2"=1'-0"



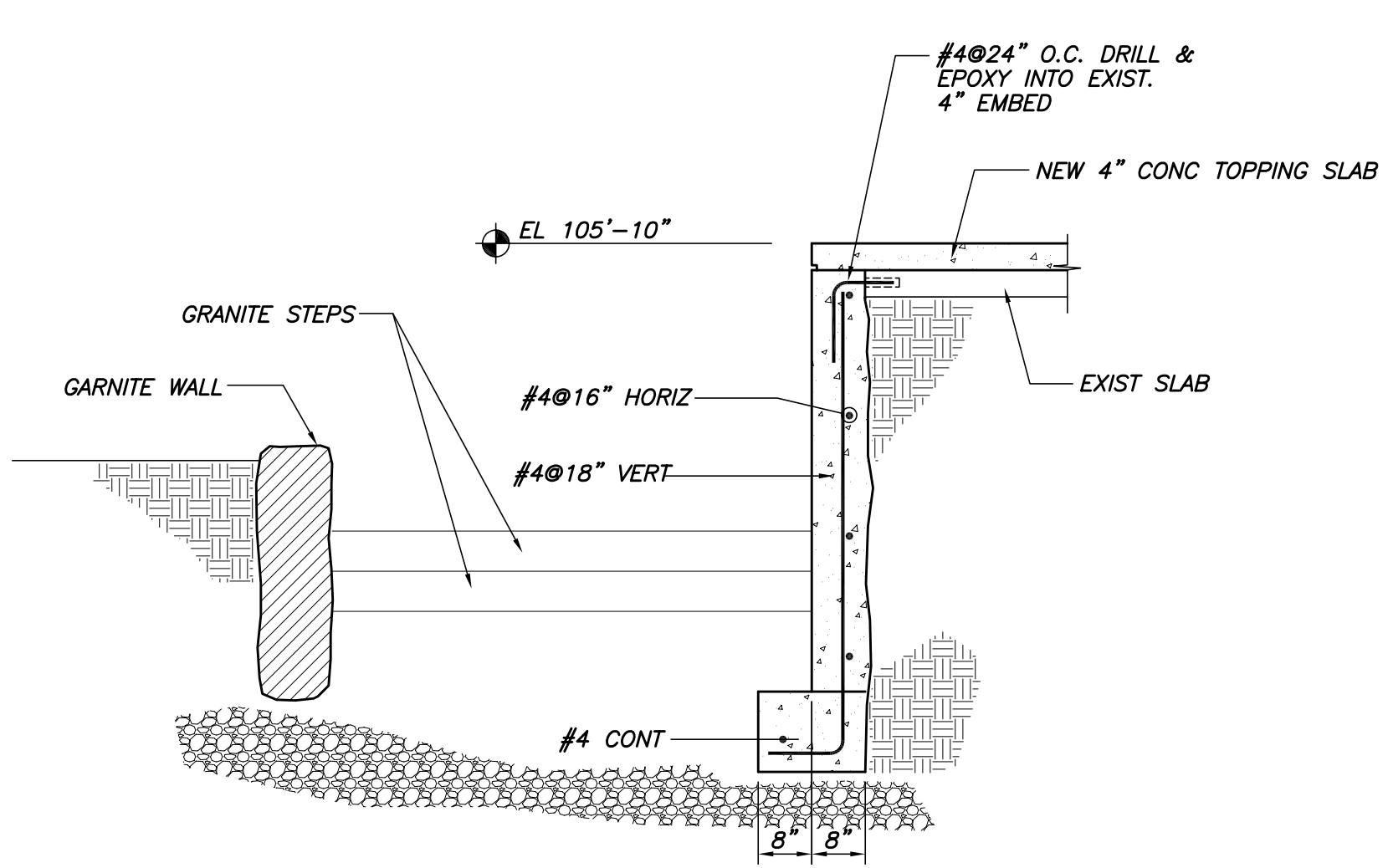
SECTION 2
1/2"=1'-0"



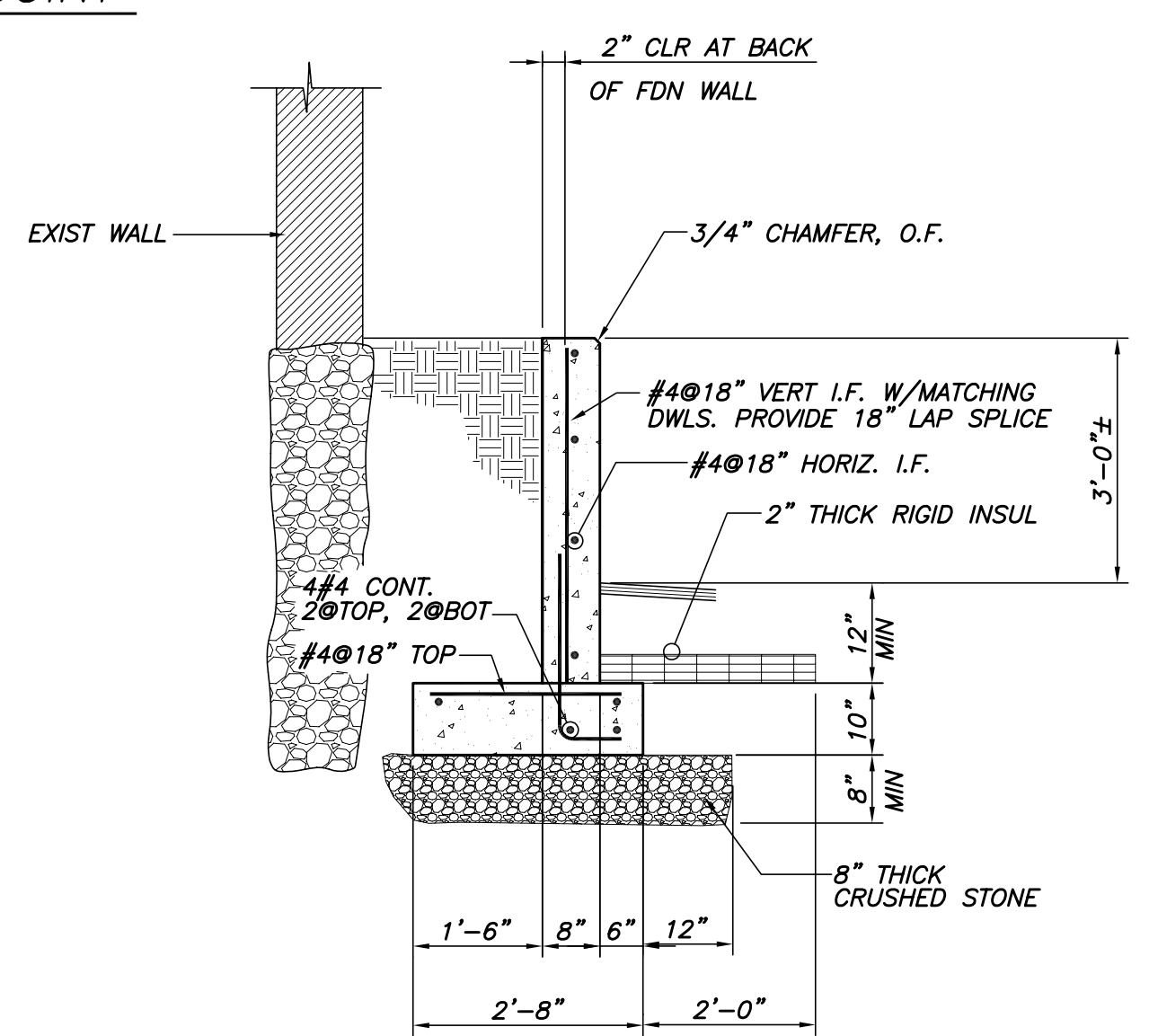
NOTE: SEE RETAINING WALL ELEVATION FOR CONTROL JOINT LOCATIONS
TYP RETAINING WALL CONTROL JOINT
1"=1'-0"

SECTION 3
1/2"=1'-0"

SECTION 4
1/2"=1'-0"



SECTION 5
1/2"=1'-0"



(ALTERNATE No. 1)
SECTION 6
1/2"=1'-0"

SECTION 7
1/2"=1'-0"

BECKER structural engineers, inc. 19 Commercial Street Portland, ME 04101-4701 Tel. 207-879-1838 Fax. 207-879-1822 info@beckerstructural.com www.beckerstructural.com	
DESIGNED BY: EAP	APPROVED:
DRAWN BY: MC	DESCRIPTION:
CHECKED BY: PBB	DATE:
SCALE: NOTED	REV. NO.:
DATE: 06/13/03	
PROJECT: 75 YORK STREET PROFESSIONAL OFFICES PORTLAND, MAINE SITE CONCRETE SECTIONS	
DRAWING NO. SC2	

NOT FOR CONSTRUCTION
ISSUED FOR PRICING
6/13/2003

THIS DRAWING IS AN INSTRUMENT OF SERVICE AND SHALL REMAIN THE PROPERTY OF BECKER STRUCTURAL ENGINEERS INC. IT SHALL NOT BE REPRODUCED, COPIED, LENT OR DISPOSED OF DIRECTLY OR INDIRECTLY NOR USED FOR ANY PURPOSE OTHER THAN FOR WHICH IT IS SPECIFICALLY FURNISHED AND MUST BE RETURNED TO BECKER STRUCTURAL ENGINEERS INC. ON COMPLETION OF WORK, IF REQUESTED.