

A3 ENLARGED PLAN @ TOILET ROOMS AND RAMP
REFERENCED FROM: A5/LS1.01 SCALE: 1/4" = 1'-0"

C3 NOT USED
REFERENCED FROM: SCALE: 1/4" = 1'-0"

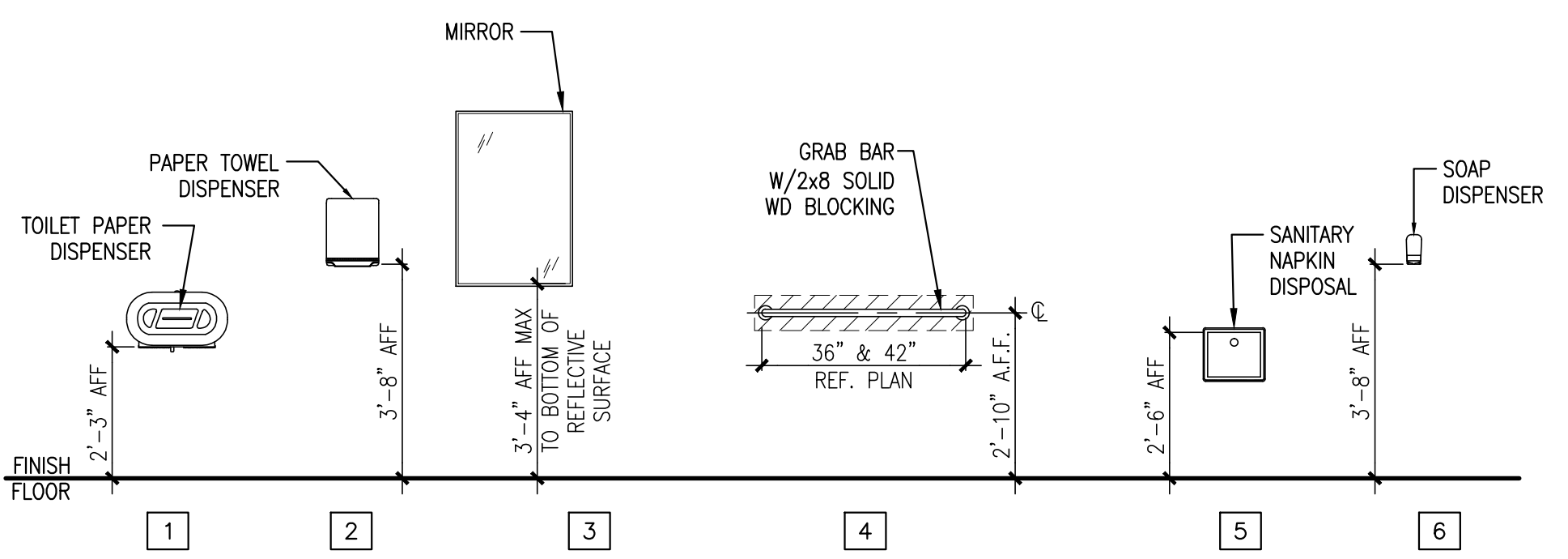
F3 NOT USED
REFERENCED FROM: SCALE: 1/4" = 1'-0"

TOILET ROOM ACCESSORY LEGEND

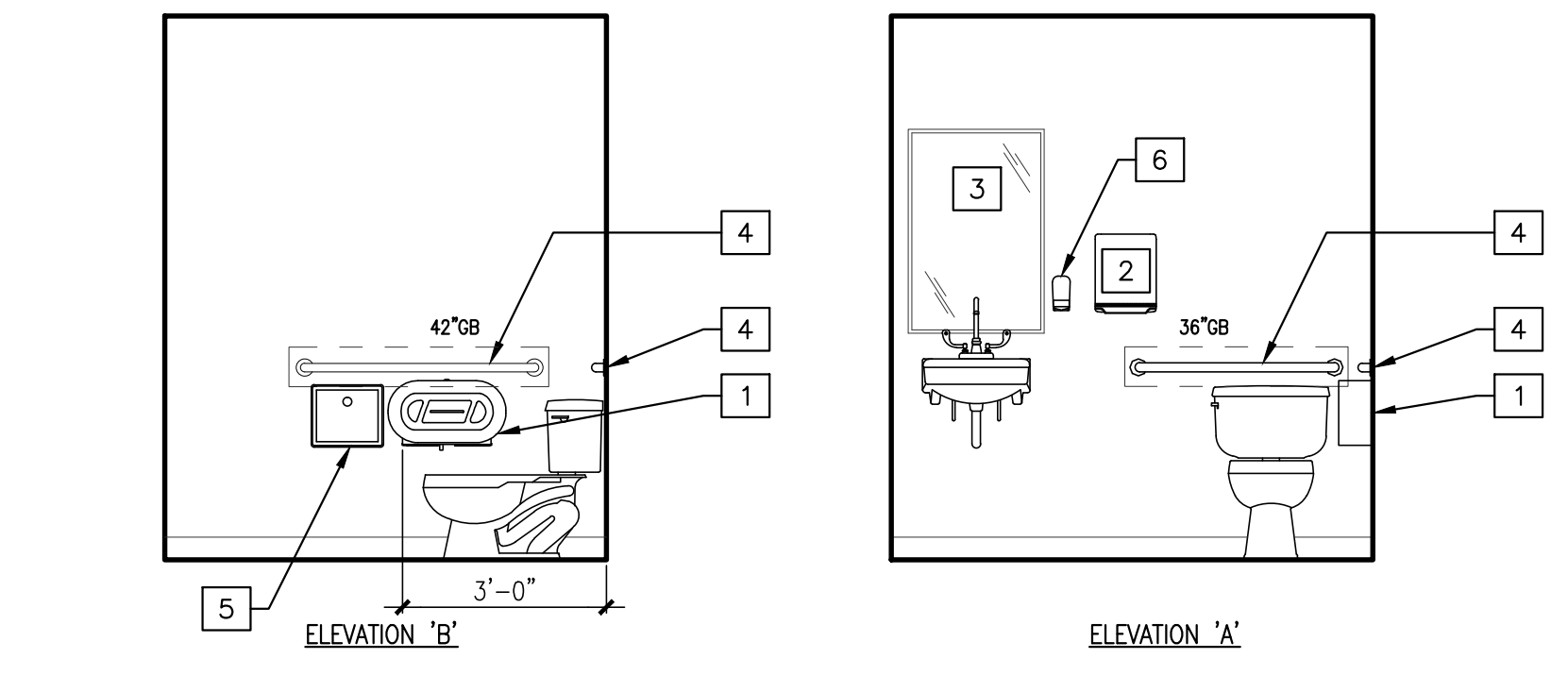
- 1 JUMBO-ROLL TOILET PAPER DISPENSER
- 2 PAPER TOWEL DISPENSER
- 3 MIRROR
- 4 STAINLESS STEEL GRAB BARS W/ CONCEALED MOUNTING
- 5 SANITARY NAPKIN DISPOSAL
- 6 WALL MOUNTED SOAP DISPENSER

GENERAL TOILET ROOM NOTES:

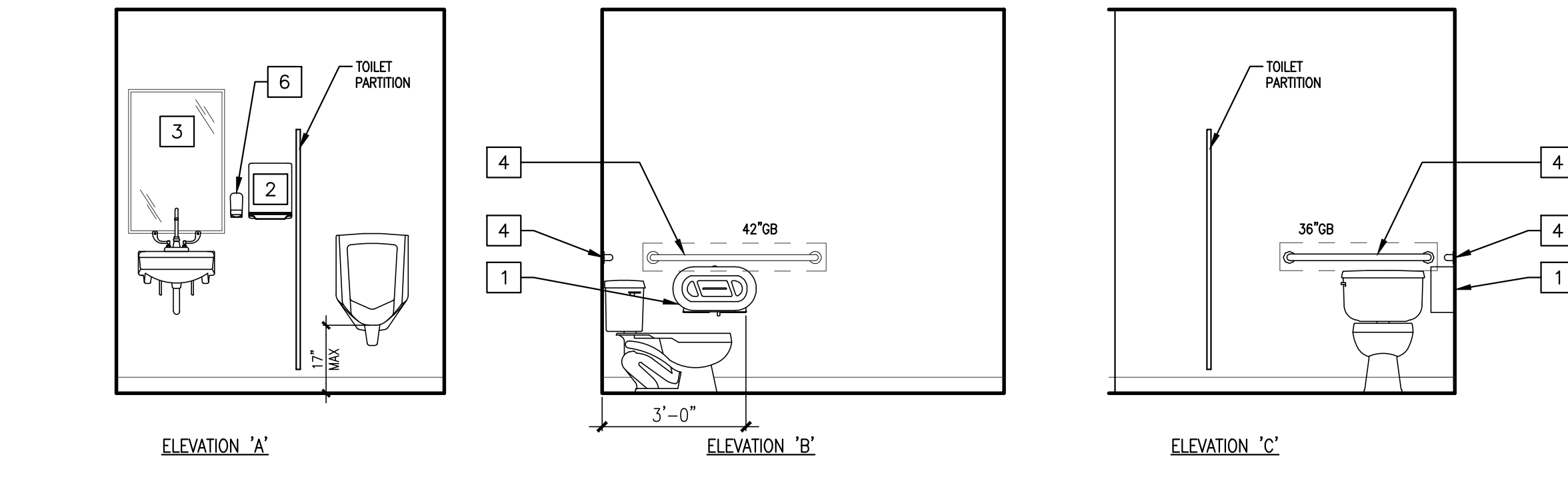
1. PROVIDE SOLID WOOD BLOCKING AS REQUIRED FOR ANY AND ALL TOILET ACCESSORIES.



A5 TYPICAL FIXTURE MOUNTING HEIGHTS
REFERENCED FROM: SCALE: NTS



E4 INTERIOR ELEVATIONS @ WOMEN'S TOILET ROOM #114
REFERENCED FROM: A3/A4.01 SCALE: 3/8" = 1'-0"



E5 INTERIOR ELEVATIONS @ MEN'S TOILET ROOM #115
REFERENCED FROM: A3/A4.01 SCALE: 3/8" = 1'-0"

DATE	REVISION DESCRIPTION

DRAWING NUMBER
A4.01
SCALE: AS NOTED
DATE: 02/13/2015