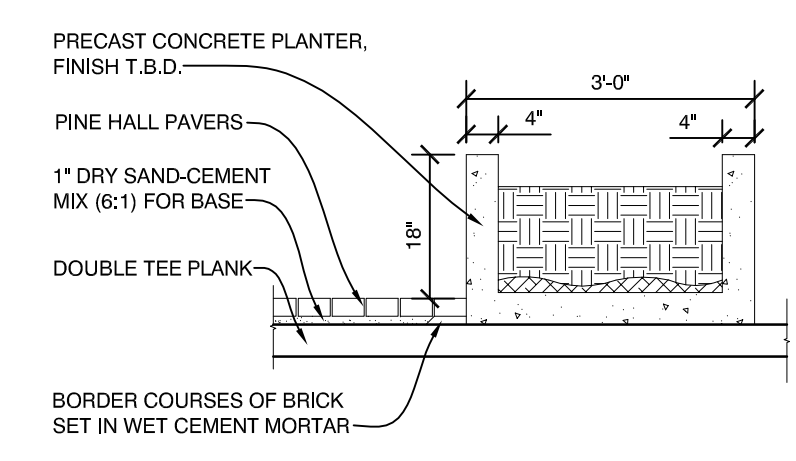
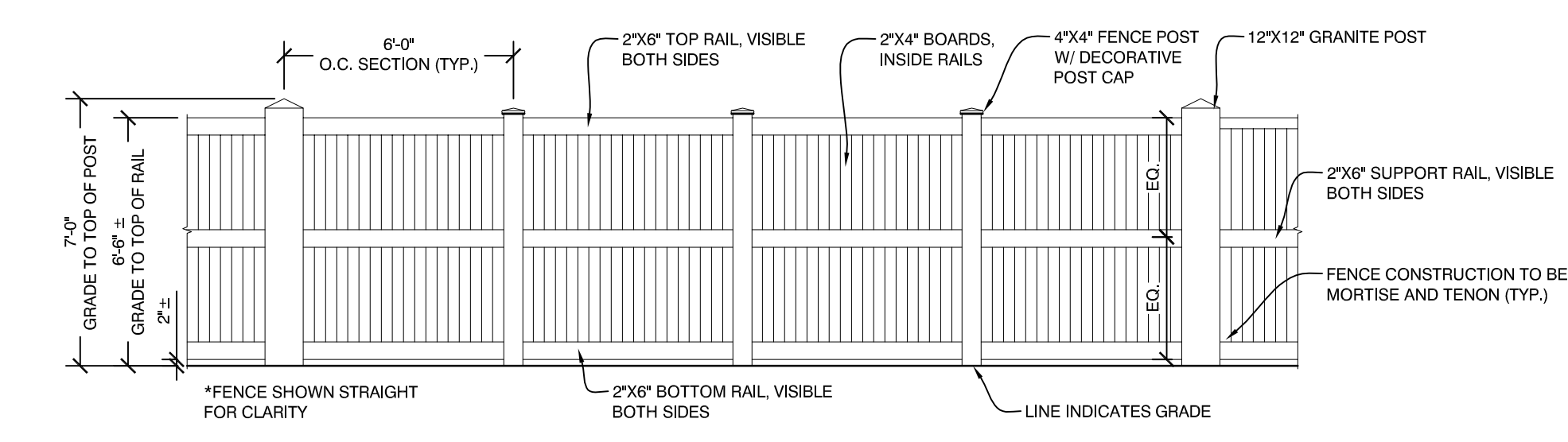


**8** PATIO AT PARKING GARAGE - PLAN  
 1/4" = 1'-0"

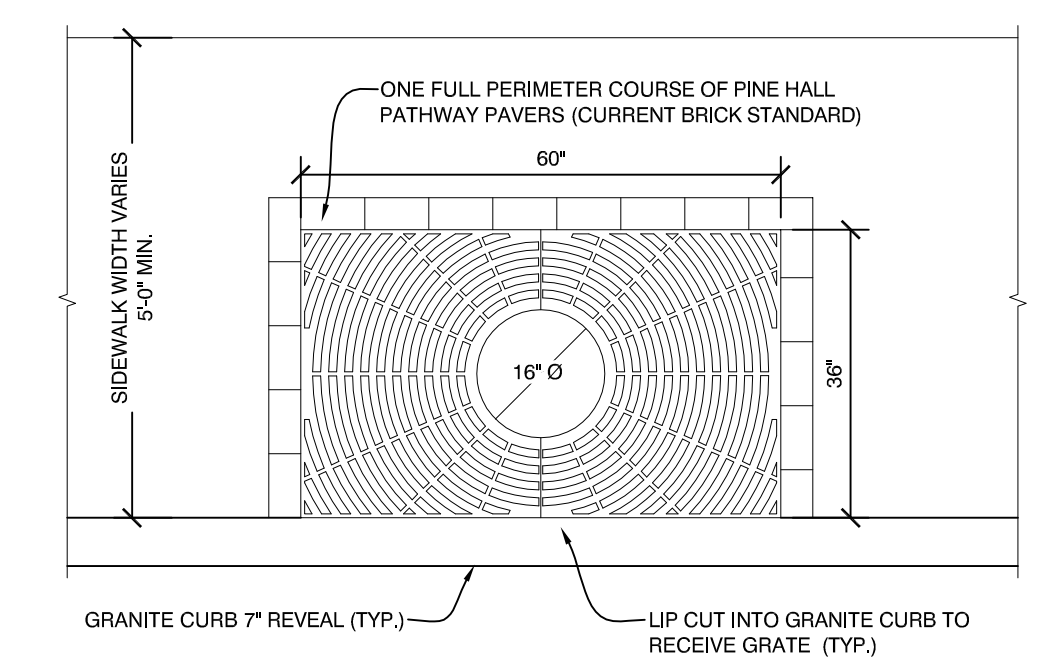


**11** PATIO PLANTER - SECTION  
 1/2" = 1'-0"

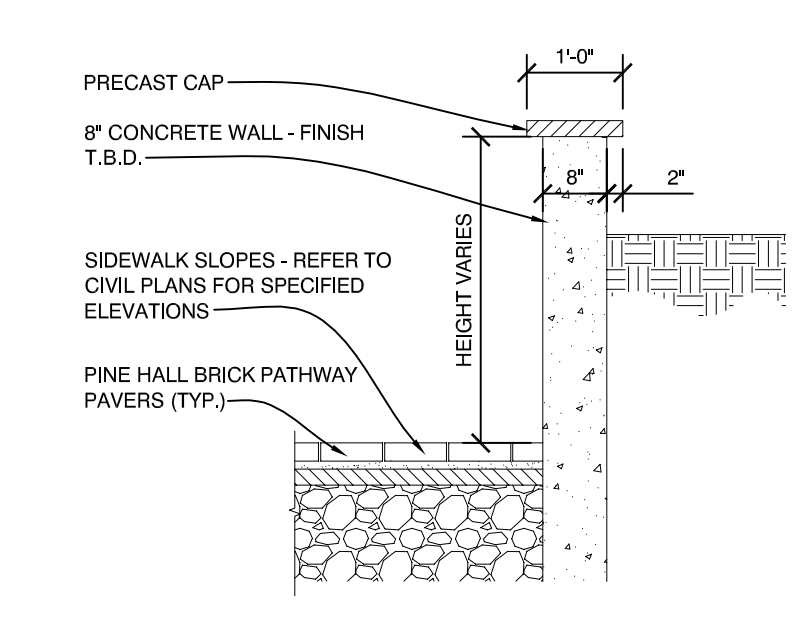
EXPANDABLE TREE GRATE, NEENAH FOUNDRY CO. MODEL R-8810;  
 16" O EXPANDABLE TREE OPENING, 125° SLOT OPENINGS. SEE SITE PLAN FOR SPECIFIC LOCATIONS.  
 SIDEWALK MATERIAL PER CITY SIDEWALK MATERIAL POLICY.  
 WHEN INSTALLED IN A BRICK SIDEWALK IT REQUIRES A FRAME TO BE INSTALLED TO HOLD THE GRATE IN PLACE.



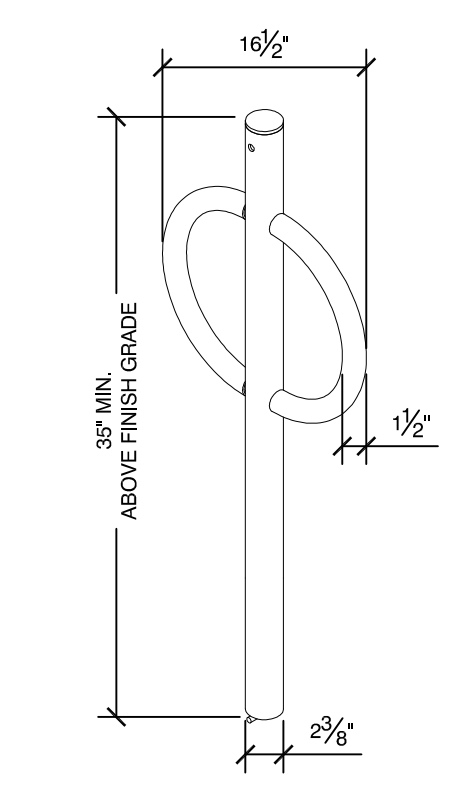
**10** FENCE - ELEVATION  
 1/4" = 1'-0"



**7** EXPANDABLE TREE GRATE - PLAN  
 1/2" = 1'-0"



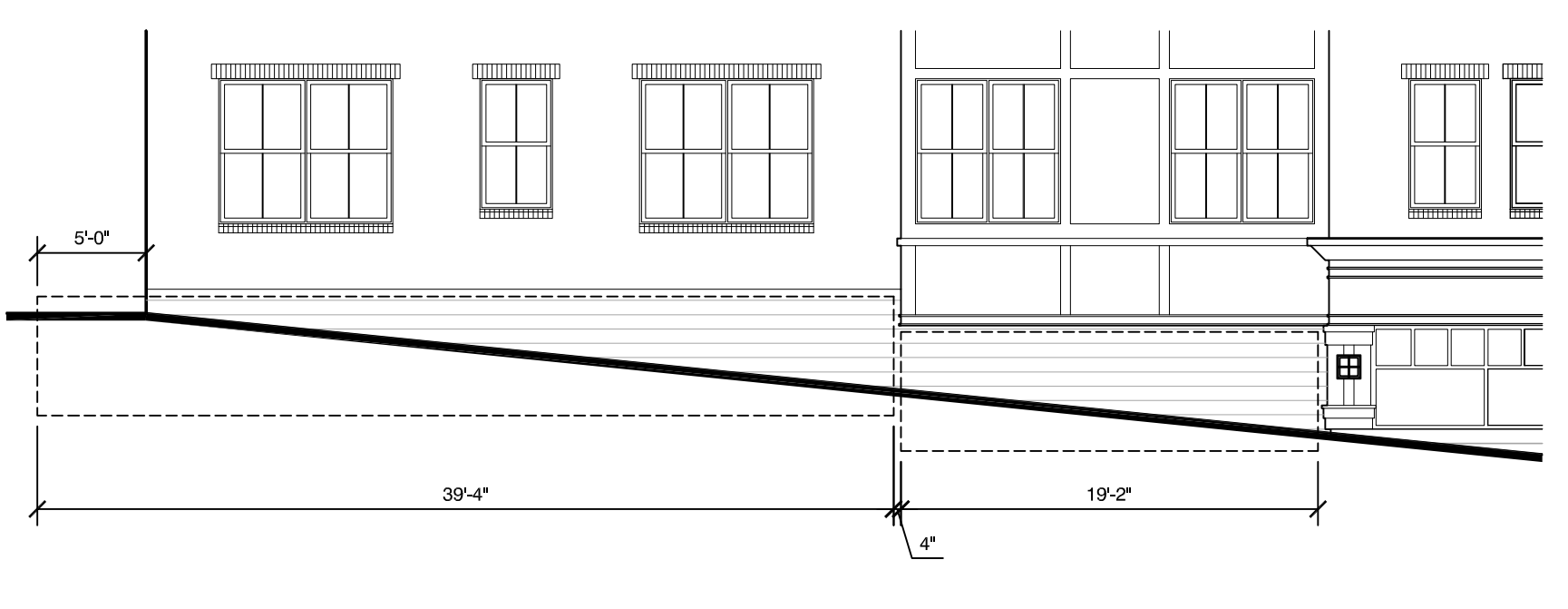
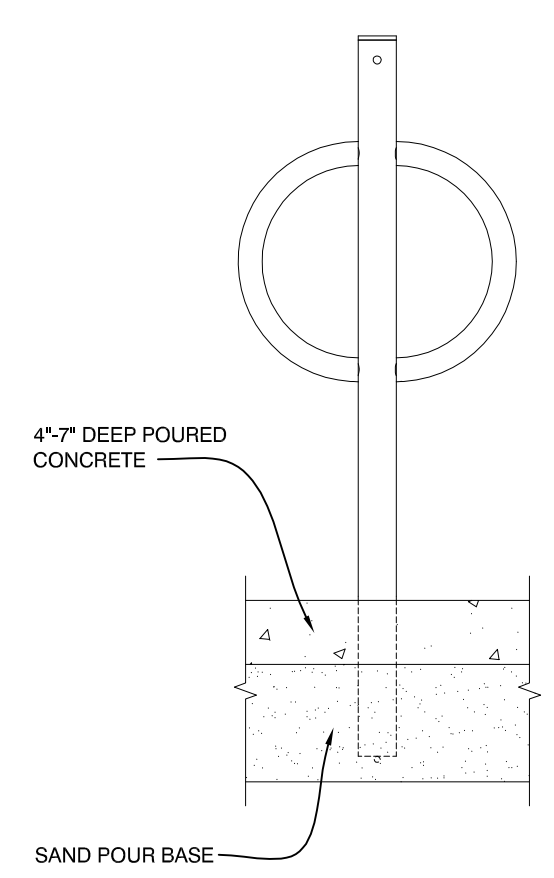
**6** PLANTER - SECTION  
 1/2" = 1'-0"



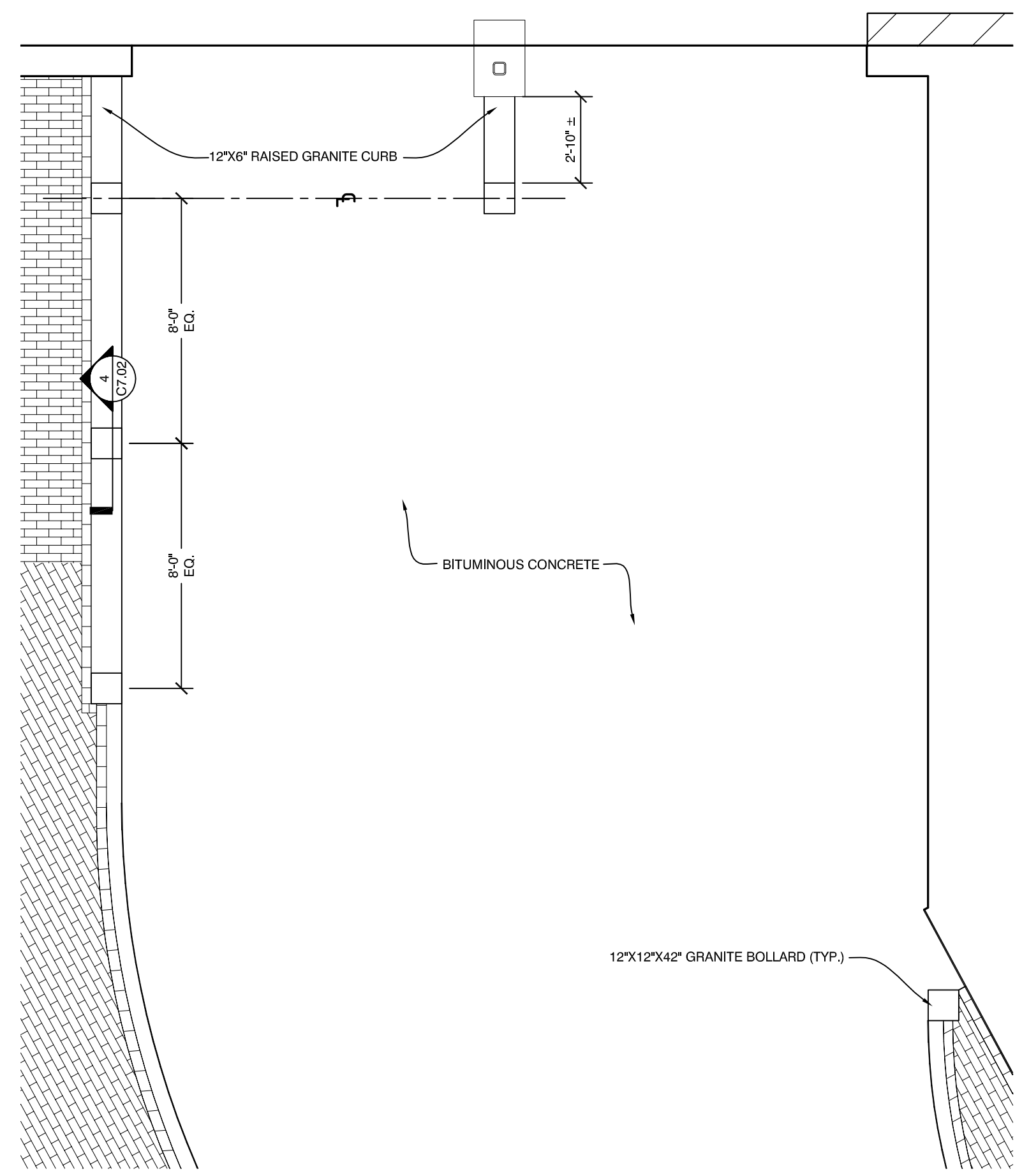
**9** BIKE HITCH - ELEVATION & SECTION  
 NOT TO SCALE

**DERO BIKE HITCH - INSTALLATION:**  
 IN-GROUND MOUNTED BIKE HITCH SHALL BE EMBEDDED INTO CONCRETE BASE.  
 PLACE STAKE IN POUR BED WHERE RACK SHALL SIT. SLIDE RACK END INTO STAKE TO ENSURE RACK REMAINS STRAIGHT WHILE CONCRETE IS POURED. VERIFY THAT RACK IS LEVEL AND SITS AT LEAST 35" ABOVE FINAL GRADE PRIOR TO POURING.  
 POUR CONCRETE AROUND RACK. DO NOT TOUCH RACK UNTIL CONCRETE HAS FULLY SET.

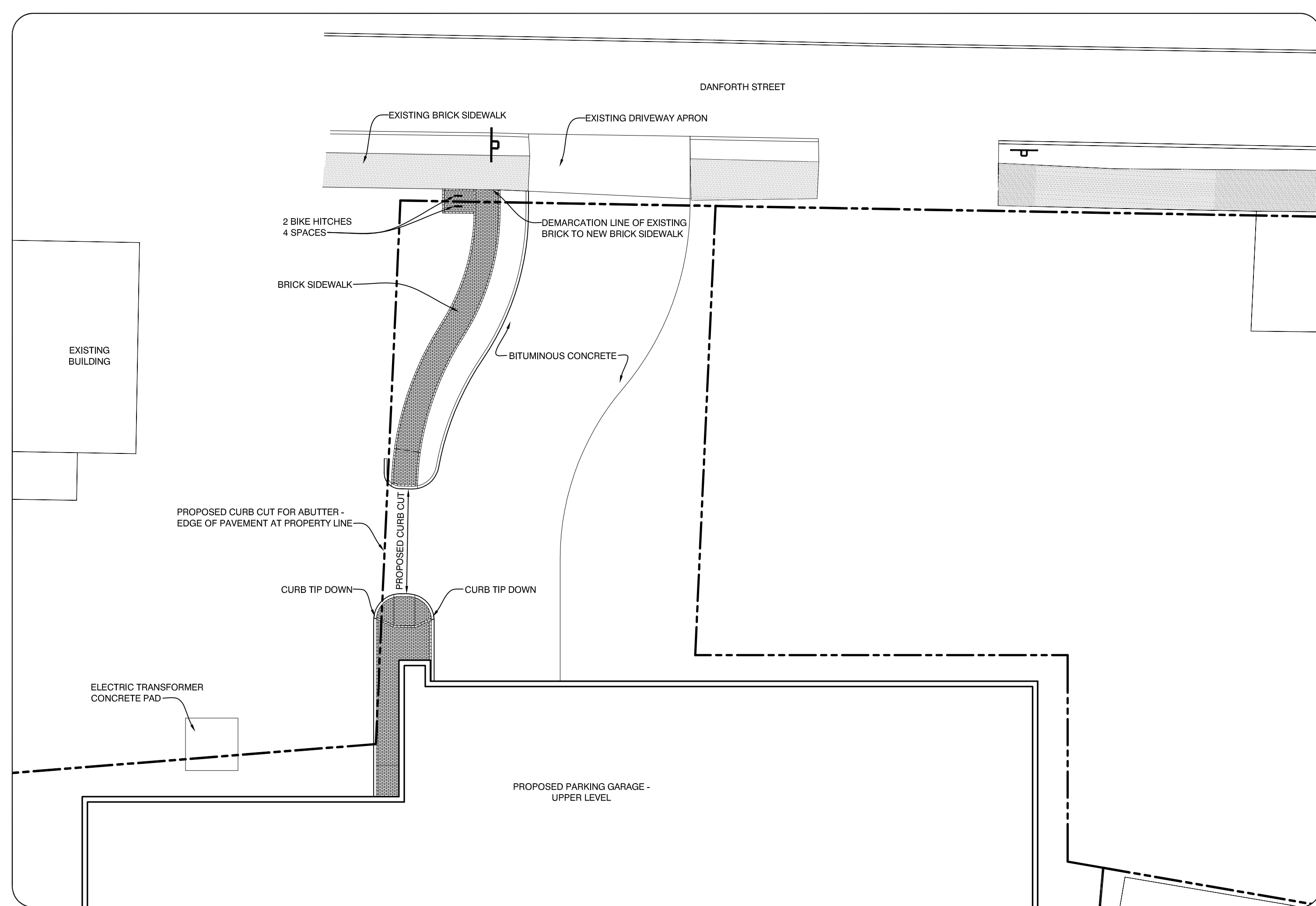
**DERO BIKE HITCH - SETBACKS & CLEARANCES:**  
 WALL SETBACKS - SET PARALLEL TO A WALL:  
 MINIMUM: 12"  
 RECOMMENDED: 24"  
 WALL SETBACKS - SET PERPENDICULAR TO A WALL:  
 MINIMUM: 35" (CENTERLINE)  
 RECOMMENDED: 38" OR 54" IF AISLE IS NEEDED BETWEEN BIKE AND WALL  
 DISTANCE BETWEEN RACKS:  
 MINIMUM: 24"  
 RECOMMENDED: 38"  
 STREET SETBACK:  
 MINIMUM: 36"



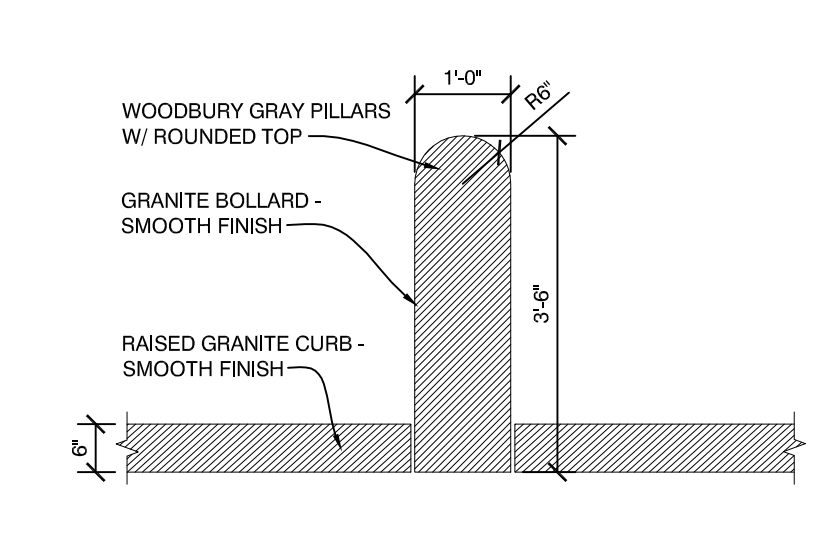
**5** PLANTER - ELEVATION  
 1/8" = 1'-0"



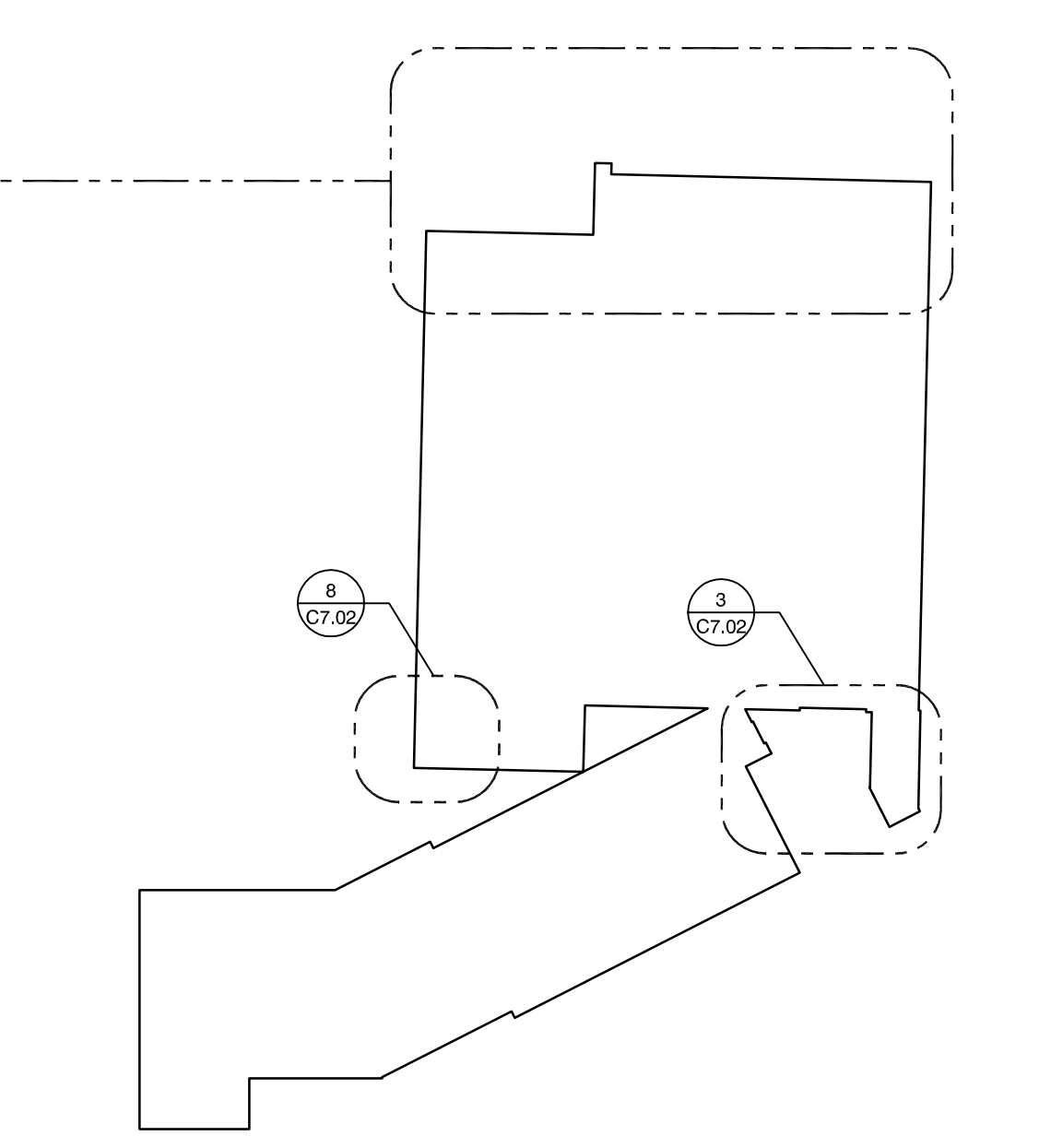
**3** GRANITE BOLLARD - PLAN  
 1/4" = 1'-0"



**2** HARDSCAPE PLAN - PARKING GARAGE  
 1/16" = 1'-0"



**4** GRANITE BOLLARD - SECTION & EXAMPLE  
 1/2" = 1'-0"



**1** HARDSCAPE KEY PLAN  
 1/64" = 1'-0"