

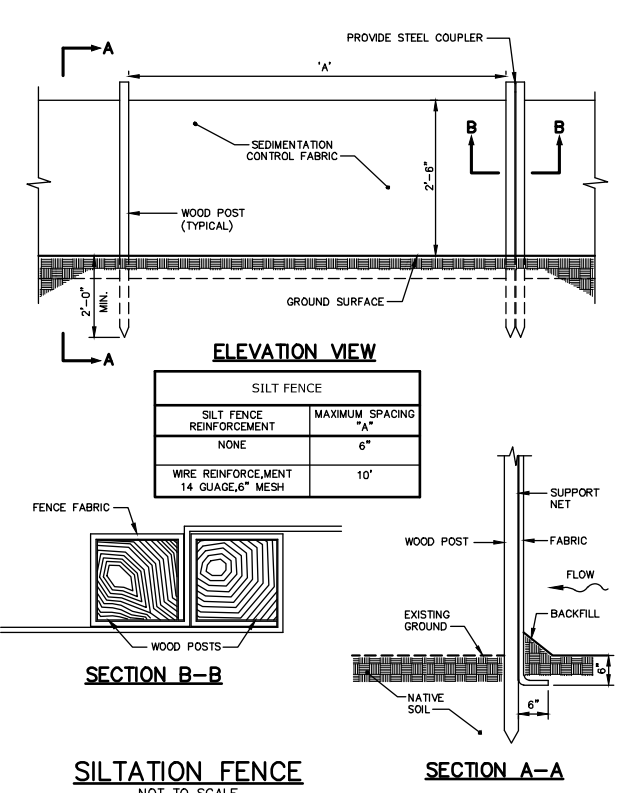
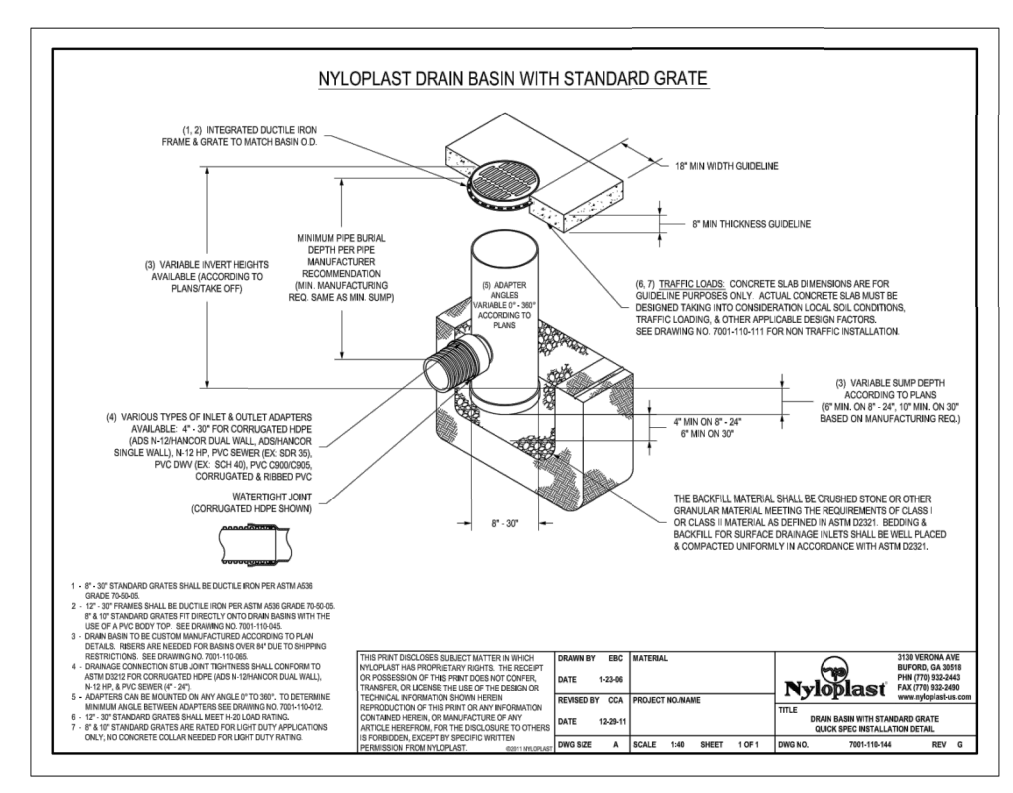
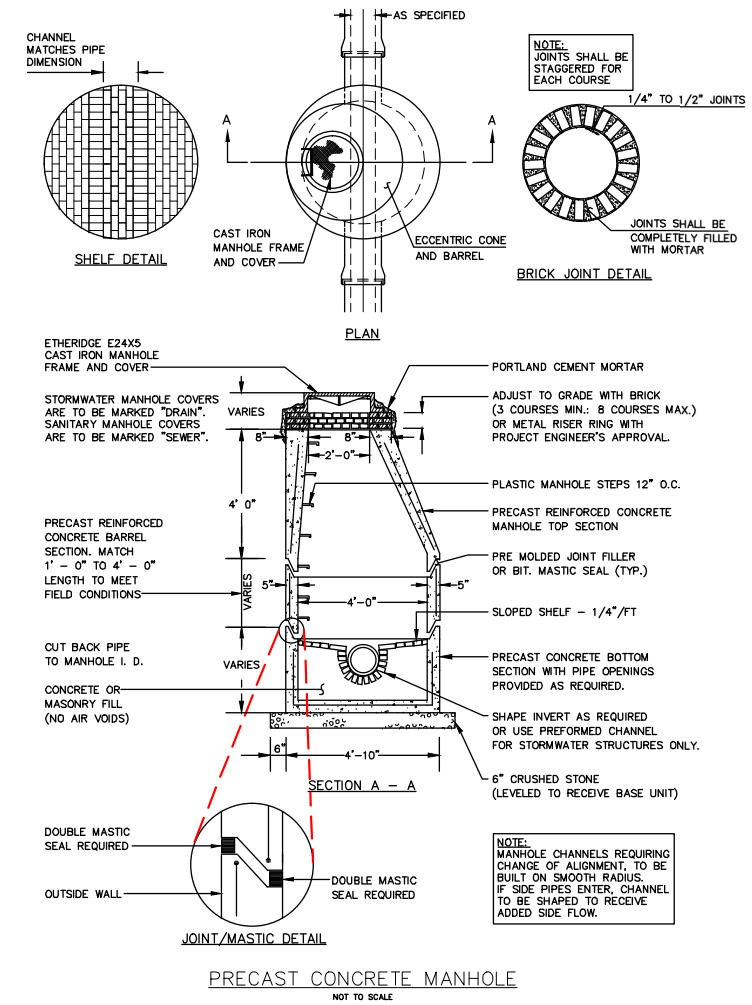
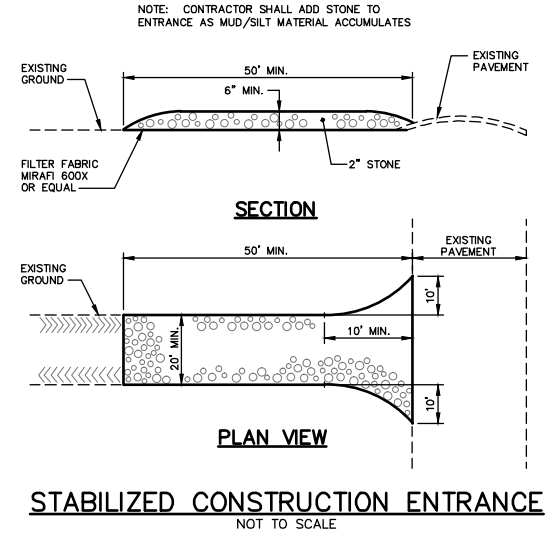
SCHEDULE OF TRENCH BACKFILL

TYPE OF PIPE	EMBEDMENT MATERIAL	SELECT BACKFILL	SELECT BACKFILL ON CITY PROPERTY
CMP DUCTILE IRON RCP	MDOT 703.22 TYPE B UD BACKFILL	MDOT 703.22 TYPE B UD BACKFILL	3/4" CRUSHED STONE, 12" ABOVE TOP OF PIPE
PVC-SDR 35 HDPE	MDOT 703.22 TYPE C 3/4" CRUSHED STONE	MDOT 703.22 TYPE B UD BACKFILL	3/4" CRUSHED STONE, 12" ABOVE TOP OF PIPE
PERFORATED PVC-SDR35 HDPE	MDOT 703.22 TYPE C 3/4" CRUSHED STONE	MDOT 703.22 TYPE C 3/4" CRUSHED STONE	3/4" CRUSHED STONE, 12" ABOVE TOP OF PIPE

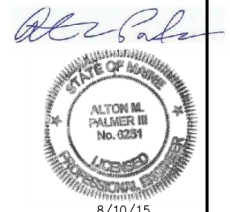
NOTE: 1. BRACING AND SHEETING OR OTHER TRENCH PROTECTION TO BE PROVIDED TO MEET APPLICABLE STATE AND O.S.H.A. SAFETY STANDARDS. ALL SUCH TRENCH PROTECTION TO BE THE RESPONSIBILITY OF THE CONTRACTOR.
2. INSTALL WARNING TAPE DIRECTLY ABOVE UTILITIES, 12" BELOW FINISH GRADE.
3. RIBBED CORRUGATED POLYETHYLENE PIPE MATERIAL, SMOOTH WALL INTERIOR, IS NOT PERMITTED WITHIN CITY PROPERTY, EXCEPT FOR UNDERDRAIN.

MINIMUM COVER: PIPE DRAIN (1) WATER SEWER (1)
2'-0" (1)
5'-5" (1)
5'-0" (1)

(1) COVER BETWEEN 2' AND 3' SHALL INCLUDE 4" RIGID INSULATION. COVER BETWEEN 3' AND 4' SHALL INCLUDE 2" RIGID INSULATION.



- GENERAL NOTES FOR MANHOLES AND CATCH BASINS**
- ALL CONCRETE SHALL HAVE A MINIMUM ULTIMATE COMPRESSIVE STRENGTH OF 4000 LBS. PER SQ. INCH AT THE END OF 28 DAYS, UNLESS OTHERWISE NOTED.
 - MANHOLES MAY BE CONSTRUCTED OF PRECAST REINFORCED CONCRETE, OR CAST IN PLACE.
 - PRECAST REINFORCED CONE BARREL MANUFACTURED PER ASTM SPEC. C-478.
 - ALL STORM AND SEWER MANHOLE COVERS SHALL BE SOLID AND SHALL HAVE ONE 7/8" DIAMETER DRILLED PICK HOLE LOCATED 8" FROM THE CENTER OF THE COVER.
 - ALL SANITARY MANHOLE COVERS SHALL HAVE "SEWER" CAST INTO THE COVER. ALL STORMWATER/RAIN MANHOLE COVERS SHALL HAVE "DRAIN" CAST INTO THE COVER.
 - ALL MANHOLE RISERS SHALL BE ETHERIDGE 24" OR APPROVED EQUAL.
 - SEWER BRICK SHALL CONFORM TO ASTM SPEC. DESIGNATE ON C-32-63, GRADE MA AND SA.
 - ALL CONCRETE MANHOLES SHALL HAVE A WATERPROOFING COATING APPLIED TO THE EXTERIOR SURFACE.
 - CATCH BASIN FRAMES FOR TYPE A4 CATCH BASIN CURB INLETS SHALL BE ETHERIDGE DR5A OR APPROVED EQUAL.
 - CASTINGS SHALL CONFORM TO ASTM DESIGNATION A48-CLASS 35.
 - EXISTING MANHOLES, CATCH BASINS, FRAMES, AND COVERS SHALL BE SALVAGED BY THE CONTRACTOR, AND SHALL REMAIN THE PROPERTY OF THE CITY OF PORTLAND.
 - ALL CATCH BASIN OUTLETS SHALL BE INSTALLED WITH A CASCO TRAP. SEE FIGURE II-09.



NOTE: THIS PLAN SET IS ISSUED FOR PERMITTING PURPOSES AND SHALL NOT BE USED FOR CONSTRUCTION.

C:\oad WORKING\3018 - York Street\dwg\3018-DETAILS.dwg 8/13/2015 2:52 PM

Rev.	Date	Revision

SITE PLAN REVIEW	Date	AMP
Issued For	8/14/15	AMP

Design: CEH Draft: CG Date: JUNE 2015
Checked: AMP Scale: AS SHOWN Job No.: 3018
File Name: 3018-DETAILS.dwg
This plan shall not be modified without written permission from Gorrill-Palmer Consulting Engineers, Inc.(GPCEI). Any alterations, authorized or otherwise, shall be at the user's sole risk and without liability to GPCEI.



Relationships. Responsiveness. Results.
www.gorrillpalmer.com
207.657.6910

Drawing Name:	Details 2
Project:	York Street - Mixed Use Development Portland, Maine
Client:	York Street, LLC 36 Danforth Street, Portland, ME 04101

Drawing No.
C5.02