

Farenhyt



**SILENT
KNIGHT**

by Honeywell

Intelligent Devices

Intelligent Photoelectric Smoke Detector & Photoelectric Smoke with Thermal

IDP-Photo, IDP-Photo-T and IDP-PhotoR

The IDP-Photo is a photoelectric smoke detector and the IDP-Photo-T is a photoelectric smoke detector with thermal. These plug in smoke detectors, with integral communication, provide features that surpass conventional detectors and are for use with Silent Knight IFP-series fire alarm control panels (FACPs).

Detector sensitivity can be programmed from the FACP software. Sensitivity is continuously monitored and reported to the FACP. Point ID capability allows each detector's address to be set with rotary address switches, providing exact detector locations for selective maintenance when chamber contamination reaches unacceptable levels.

IDP-Photo and IDP-Photo-T have a unique optical sensing chamber that is engineered to sense smoke produced by a wide range of combustion sources. In the IDP-Photo-T, dual electronic thermistors add 135°F (57°C) thermal technology to maximize detection.

The IDP-PhotoR is a remote test capable detector for use with the DNR (W) duct smoke detectors.

Features

- Sleek, low-profile design
- Reliable analog communications for trouble-free operation
- Age resistant polymer housing
- Dual electronic thermistor design on the IDP-Photo-T
- Superior EMI resistance for reliability
- Simple field cleaning for code compliance
- Variety of mounting options to meet any application
- Dual LED indicators for 360° visibility
- Detector transmits signal to indicate maintenance is required
- Optional remote LED annunciator (System Sensor® PN RA100Z)
- Plug-in mounting provides ease of installation
- Tamper-proof feature available on mounting bases
- Listed for use in duct applications
- Rotary address switches for fast installation
- UL Listed



MEA

225-02-E Vol. V



IDP-Photo (Base not Included)

Installation

The IDP-Photo and IDP-Photo-T plug into a compatible IDP-series detector base. The IDP-PhotoR is a remote test capable detector for use with the DNR (W) duct smoke detectors

Compatibility

The IDP-Photo, IDP-Photo-T and IDP-PhotoR are compatible with the following IDP-series detector bases:

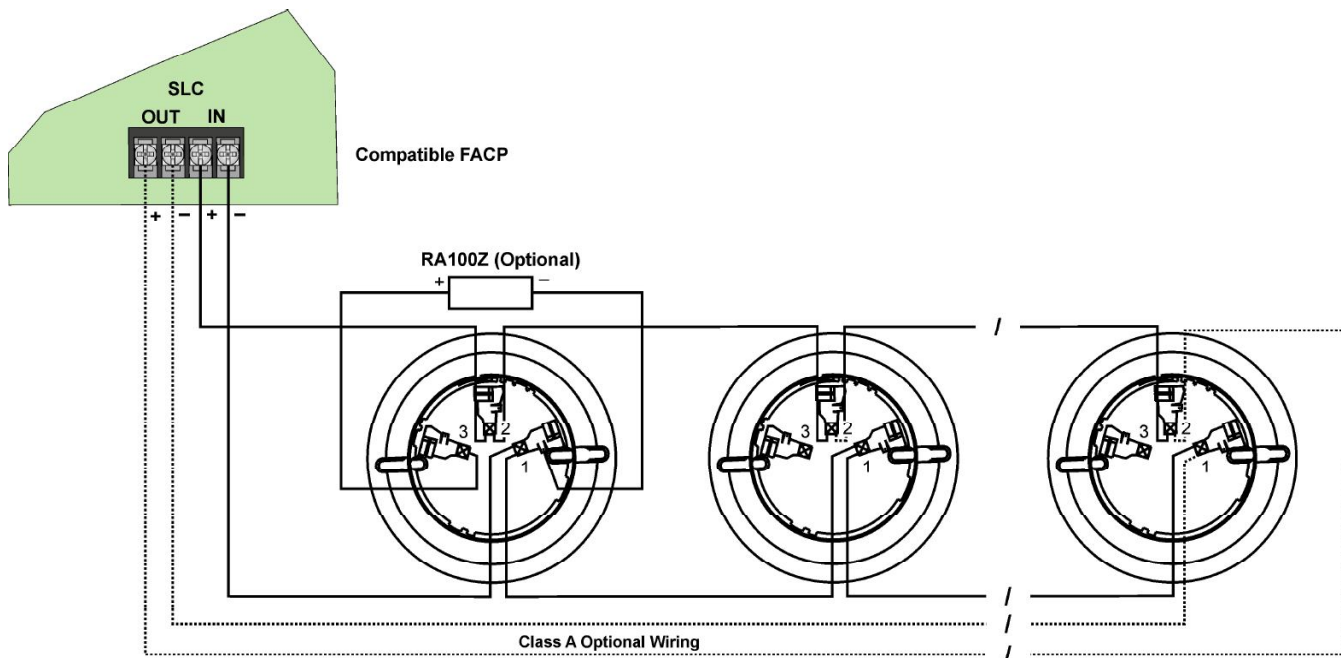
- B210LP 6" Mounting Base
- B501 4" Mounting Base
- B224BI 6" Isolator Base
- B224RB 6" Relay Base
- B200SR 6" Sounder Base

The IDP-Photo, IDP-Photo-T and IDP-PhotoR are compatible with the following FACPs:

- IFP-2000 / RPS-2000 Intelligent Fire Panel
- IFP-2000ECS Emergency Communication System with Fire Panel
- IFP-1000 / ECS Intelligent Fire Panel
- IFP-100 / ECS Intelligent Fire Panel
- IFP-50 Intelligent Fire Panel
- IFP-25 Intelligent Fire Panel

P/N 350280 Rev G

Copyright © 2015 Honeywell International Inc.



Wiring IDP-Series Detector Mounting Bases

Wiring IDP-Series Detector Mounting Bases

Specifications*

Physical

Height: 2.0" (5.0 cm)

Diameter: 4.1" (10.4 cm) installed in B501 base

Electrical

Operating Voltage: 15–32 VDC

SLC Standby and Alarm Current: 300 μ A

Environmental

Operating Temperature

IDP-Photo: 32° – 120°F (0°C – 49°C)

IDP-Photo-T: 32° – 100°F (0°C – 38°C)

Humidity: 10% – 93% non-condensing

Other Ratings

IDP-Photo-T Thermal: Fixed temperature setpoint 135°F (57°C)

Velocity: 0 – 4000 fpm (0 – 20 m/sec) (suitable for installation in ducts)

IDP-Photo Insect Screen Hole Size: 0.016" (0.41 mm) nominal

Ordering Information

IDP-Photo	Photoelectric Smoke Detector
IDP-Photo-T	Photoelectric Smoke Detector with Thermal (135°F)
IDP-PhotoR	Photoelectric smoke detector, remote test capable, for use with DNR (W) duct smoke detector

Accessories

RA100Z	Remote LED Annunciator.
XR2B	Detector Removal Tool. A removal and replacement tool for IDP plug-in detectors. Includes the T55-127-000.
M02-04-01	Detector Test Magnet.
M02-09-00	Test Magnet with Telescoping Handle.
XP-4	Extension Pole for XR2B. Extends from 5 – 15 ft.
T55-127-000	Detector Removal Head.
BCK-200B	Black Detector Kit. For IDP-series detectors.

* Unless otherwise noted, specifications apply to IDP-Photo and IDP-Photo-T.



**SILENT
KNIGHT**

by Honeywell

This document is not intended to be used for installation purposes. We try to keep our product information up-to-date and accurate. We cannot cover all specific applications or anticipate all requirements. All specifications are subject to change without notice. For more information, contact Silent Knight 12 Clintonville Road, Northford, CT 06472-1610 Phone: (800) 328-0103, Fax: (203) 484-7118.
For Technical Support, Please call 800-446-6444. www.farenhyt.com