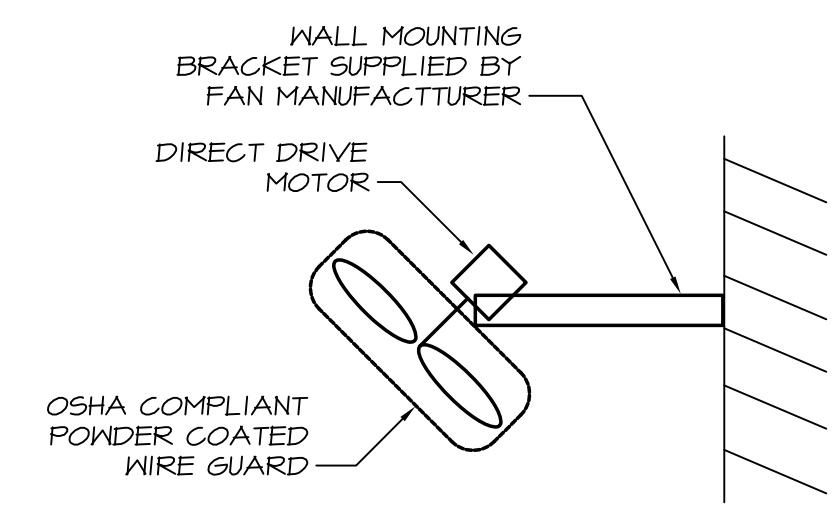
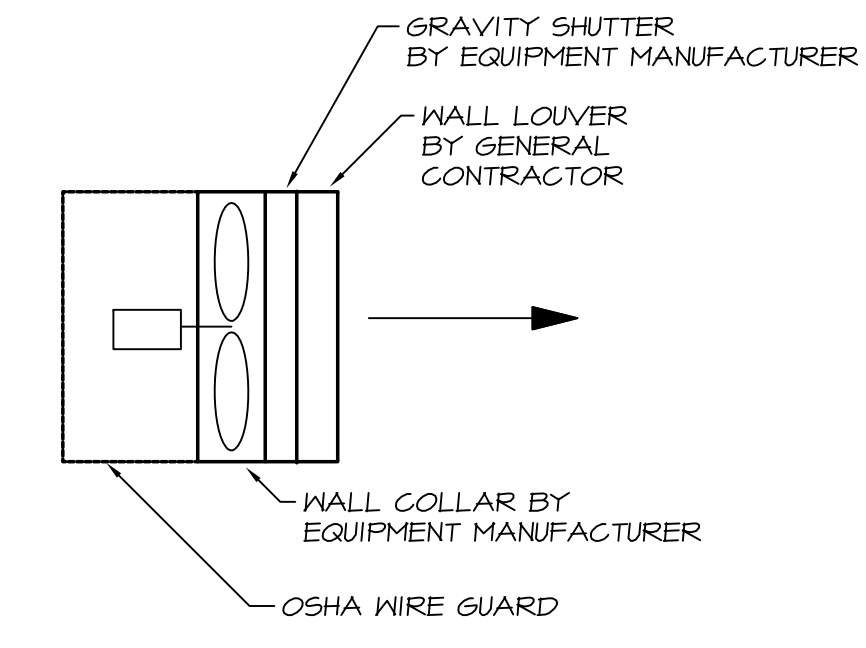


1 PARKING GARAGE VENTILATION PLAN
SCALE: 3/32" = 1'-0"



2 CIRCULATING FANS CF-1&2 DETAIL
SCALE: 3/32" = NO SCALE

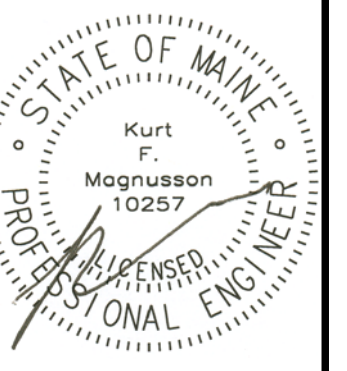


3 EXHAUST FANS EF-1,2&3 DETAIL
SCALE: 3/32" = NO SCALE

- CARBON MONOXIDE CONTROL**
- It will be the Mechanical Contractor's responsibility to provide and install all controls and all control wiring.
 - All control wiring that is run in concealed spaces to be plenum rated.
 - All control wiring that is run exposed shall be in electrical conduit provided and installed by the mechanical contractor.
 - Sequence of Operation
 - GE-1 to run continuously - 24/7.
 - GE-2&3 to run any time any of the Carbon Monoxide sensors sense CO levels exceeding 25 ppm.
 - CF-1&2 to run any time any of the Carbon Monoxide sensors sense VCO levels exceeding 25 ppm.
 - Control Panel to provide visual and audio alarm any time any of the sensors detect CO levels above 50 ppm for more than 5 minutes (adjustable).



MECHANICAL SYSTEMS ENGINEERS
ROYAL RIVER CENTER, UNIT 10B
10 FOREST FALLS DRIVE, YARMOUTH, MAINE 04096
(207) 846-1441
FACEBOOK: MECHANICAL SYSTEMS ENGINEERS
© COPYRIGHT 2016
M.S.E. Proj. 1608



Mixed Use Development

York & High Street
Portland, Maine

REVISION:

ISSUED:
FOR BID 05/27/2016

project architect: KAK
drawn by: KFM

GARAGE VENTILATION

sheet number:

M1.10