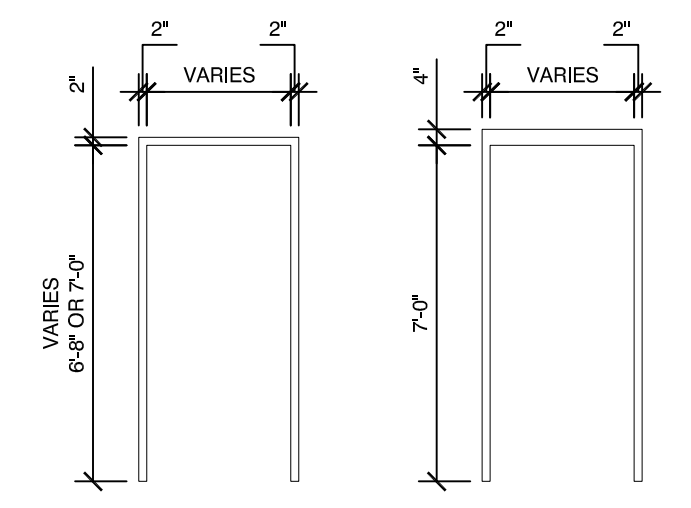


DOOR SCHEDULE

#	LOCATION	SIZE	TYPE	MATERIAL	FUNCTION	FRAME	RATING	NOTES
COMMON AREAS								
1GA	PARKING GARAGE	3'-0" X 7'-0"	J	HM		HM	90	
1GB	PARKING GARAGE	11'-4" X 8'-0"						FIRE SHUTTER
1GC	PARKING GARAGE	11'-4" X 8'-0"						FIRE SHUTTER
E1X1	COMMERCIAL TENANT 1CT1	3'-0" X 7'-0"	G	HM	F82	HM	90	
E1X2	COMMERCIAL TENANT 1CT1	3'-0" X 8'-2"	B	ALUM.		9/A6.01		
E1X3	COMMERCIAL TENANT 1CT2	6'-0" X 8'-2"	H	ALUM.		8/A6.01		
E1X4	COMMERCIAL TENANT 1CT2	6'-0" X 7'-7"	H	ALUM.		7/A6.01		
E1X5	COMMERCIAL TENANT 1CT3	6'-0" X 7'-11"	H	ALUM.		6/A6.01		
E1X6	COMMERCIAL TENANT 1CT3	6'-2" X 7'-4"	H	ALUM.		5/A6.01		
E1X7	FUTURE SPACE	3'-0" X 7'-0"	G	HM	F86	HM		
1WR	WATER ROOM	3'-0" X 7'-0"	G	HM	F86	HM		
1EL	ELECTRIC ROOM	3'-0" X 6'-8"	G	HM	F86	HM	90	
1ST1	STAIR-1	3'-0" X 6'-8"	J	HM	F75	HM		
1ST2	STAIR-2	3'-0" X 7'-0"	J	HM	RIM PANIC	HM	90	
2LB	ELEVATOR LOBBY	3'-0" X 7'-0"	B	WOOD	RIM PANIC	1/A6.01		STAINED
2ST1	STAIR-1	3'-0" X 6'-8"	J	WOOD	RIM PANIC	HM	90	STAINED
2ST2	STAIR-2	3'-0" X 6'-8"	J	SOLID CORE	RIM PANIC	HM	90	
E2X2	TRASH	6'-0" X 6'-8"	K	HM	F82	HM	45	FLUSH BOLTS
2TR	TRASH	3'-0" X 6'-8"	G	WOOD	F75	HM	45	STAINED
E2X1	VESTIBULE (EXTERIOR)	3'-0" X 7'-0"	B	ALUM.		2/A6.01		
2VS	VESTIBULE (INTERIOR)	3'-0" X 7'-0"	B	WOOD	F75	3/A6.01		STAINED
2FT	FITNESS	3'-0" X 7'-0"	B	SOLID CORE	RIM PANIC	4/A6.01		
3ST1	STAIR-1	3'-0" X 6'-8"	J	SOLID CORE	F75	HM	90	
3ST2	STAIR-2	3'-0" X 6'-8"	J	SOLID CORE	F75	HM	90	
4ST1	STAIR-1	3'-0" X 6'-8"	J	SOLID CORE	F75	HM	90	
4ST2	STAIR-2	3'-0" X 6'-8"	J	SOLID CORE	F75	HM	90	
5ST1	STAIR-1	3'-0" X 6'-8"	J	SOLID CORE	F75	HM	90	
5ST2	STAIR-2	3'-0" X 6'-8"	J	SOLID CORE	F75	HM	90	
5RA	ROOF ACCESS	3'-0" X 6'-8"	J	SOLID CORE	F86	HM	90	
UNIT TYPES A1, A2, A3 - UNITS 202, 206, 207, 302, 306, 307, 402, 406, 407, 502, 506, 507								
A	UNIT ENTRY	3'-0" X 6'-8"	A	SOLID CORE	F81	HM	20 MIN	NOTE 2.3 - FLAT RETURN FRAME, CLOSER
B	KITCHEN CLOSET	1'-6" X 6'-8" (2)	D	SOLID CORE	BALL CATCH	WOOD		
C	HVAC CLOSET	2'-0" X 6'-8"	C	SOLID CORE	F75	WOOD		
D	BATHROOM	3'-0" X 6'-8"	A	SOLID CORE	F76	WOOD		
E	LINEN	2'-0" X 6'-8"	A	SOLID CORE	F75	WOOD		
F	BEDROOM	3'-0" X 6'-8"	A	SOLID CORE	F76	WOOD		
G	BEDROOM CLOSET	3'-0" X 6'-8"	A	SOLID CORE	F75	WOOD		
UNIT TYPE A4 - UNITS 204, 304, 404								
A	UNIT ENTRY	3'-0" X 6'-8"	A	SOLID CORE	F81	HM	20 MIN	NOTE 2.3 - FLAT RETURN FRAME, CLOSER
B	KITCHEN CLOSET	1'-6" X 6'-8" (2)	D	SOLID CORE	BALL CATCH	WOOD		
C	KITCHEN CLOSET	1'-6" X 6'-8" (2)	D	SOLID CORE	BALL CATCH	WOOD		
D	HVAC CLOSET	2'-4" X 6'-8"	C	SOLID CORE	F75	WOOD		
E	HALL CLOSET	2'-4" X 6'-8"	A	SOLID CORE	F75	WOOD		
F	BATHROOM	3'-0" X 6'-8"	A	SOLID CORE	F76	WOOD		
G	LINEN	1'-6" X 6'-8" (2)	D	SOLID CORE	BALL CATCH	WOOD		
H	BEDROOM	3'-0" X 6'-8"	A	SOLID CORE	F76	WOOD		
I	BEDROOM CLOSET	3'-0" X 6'-8"	A	SOLID CORE	F75	WOOD		
J	DEN	3'-0" X 6'-8"	A	SOLID CORE	F76	WOOD		
K	DEN CLOSET	3'-0" X 6'-8"	A	SOLID CORE	F75	WOOD		
UNIT TYPES B1, B3; UNITS - 210, 211, 212, 213, 214, 216, 310, 311, 312, 313, 314, 316, 410, 411, 412, 413, 414, 416, 510, 511, 513, 514, 516,								
A	UNIT ENTRY	3'-0" X 6'-8"	A	SOLID CORE	F81	HM	20 MIN	NOTE 2.3 - FLAT RETURN FRAME, CLOSER
B	KITCHEN CLOSET	1'-6" X 6'-8" (2)	D	SOLID CORE	BALL CATCH	WOOD		
C	KITCHEN CLOSET	1'-6" X 6'-8" (2)	D	SOLID CORE	BALL CATCH	WOOD		
D	HVAC CLOSET	2'-4" X 6'-8"	C	SOLID CORE	F75	WOOD		
E	HALL CLOSET	2'-4" X 6'-8"	A	SOLID CORE	F75	WOOD		
F	BATHROOM	3'-0" X 6'-8"	A	SOLID CORE	F76	WOOD		
G	BEDROOM	3'-0" X 6'-8"	A	SOLID CORE	F76	WOOD		
H	BEDROOM CLOSET	3'-0" X 6'-8"	A	SOLID CORE	F75	WOOD		
I	MASTER BEDROOM	3'-0" X 6'-8"	A	SOLID CORE	F76	WOOD		
J	MASTER BEDROOM CLOSET	3'-0" X 6'-8"	A	SOLID CORE	F75	WOOD		
K	MASTER BATHROOM	3'-0" X 6'-8"	A	SOLID CORE	F76	WOOD		
L	LINEN	1'-4" X 6'-8"	A	SOLID CORE	F75	WOOD		
UNIT TYPE B2 - UNITS 208, 209, 309, 408, 409, 508, 509								
A	UNIT ENTRY	3'-0" X 6'-8"	A	SOLID CORE	F81	HM	20 MIN	NOTE 2.3 - FLAT RETURN FRAME, CLOSER
B	KITCHEN CLOSET	1'-6" X 6'-8" (2)	D	SOLID CORE	BALL CATCH	WOOD		
C	HVAC CLOSET	2'-4" X 6'-8"	C	SOLID CORE	F75	WOOD		
D	HALL CLOSET	2'-4" X 6'-8"	A	SOLID CORE	F75	WOOD		
E	BATHROOM	3'-0" X 6'-8"	A	SOLID CORE	F76	WOOD		
F	BEDROOM	3'-0" X 6'-8"	A	SOLID CORE	F76	WOOD		
G	BEDROOM CLOSET	3'-0" X 6'-8"	A	SOLID CORE	F75	WOOD		
H	MASTER BEDROOM	3'-0" X 6'-8"	A	SOLID CORE	F76	WOOD		
I	MASTER BEDROOM CLOSET	3'-0" X 6'-8"	A	SOLID CORE	F75	WOOD		
J	MASTER BATHROOM	3'-0" X 6'-8"	A	SOLID CORE	F76	WOOD		
K	LINEN	1'-4" X 6'-8"	A	SOLID CORE	F75	WOOD		
UNIT TYPE B4 - UNITS 305, 405, 505								
A	UNIT ENTRY	3'-0" X 6'-8"	A	SOLID CORE	F81	HM	20 MIN	NOTE 2.3 - FLAT RETURN FRAME, CLOSER
B	KITCHEN CLOSET	2'-0" X 6'-8"	A	SOLID CORE	F75	WOOD		
C	HVAC CLOSET	2'-0" X 6'-8"	C	SOLID CORE	F75	WOOD		
D	DEN	3'-0" X 6'-8"	A	SOLID CORE	F76	WOOD		
E	DEN CLOSET	1'-6" X 6'-8" (2)	D	SOLID CORE	BALL CATCH	WOOD		
F	LAUNDRY	3'-0" X 6'-8"	A	SOLID CORE	F75	WOOD		
G	BEDROOM	3'-0" X 6'-8"	A	SOLID CORE	F76	WOOD		
H	BEDROOM CLOSET	2'-6" X 6'-8" (2)	D	SOLID CORE	BALL CATCH	WOOD		
I	BATHROOM	3'-0" X 6'-8"	A	SOLID CORE	F76	WOOD		
J	MASTER BEDROOM	3'-0" X 6'-8"	A	SOLID CORE	F76	WOOD		
K	MASTER BEDROOM CLOSET	3'-0" X 6'-8"	A	SOLID CORE	F75	WOOD		
L	MASTER BATHROOM	3'-0" X 6'-8"	A	SOLID CORE	F76	WOOD		
SCHEDULE NOTES								
1. 5/8" UNDERCUT AT INTERIOR DOORS 2. DOOR VIEWER AT 4'-9" A.F.F. (3'-9" AND 4'-9" A.F.F. AT ACCESSIBLE UNITS) 3. AT ALL UNITS ENTRY DOORS TO HAVE 1/2" FLUSH BOTTOM RAIL								



HOLLOW METAL FRAME TYPES
1/4" = 1'-0"

DOOR ELEVATION TYPES
1/4" = 1'-0"