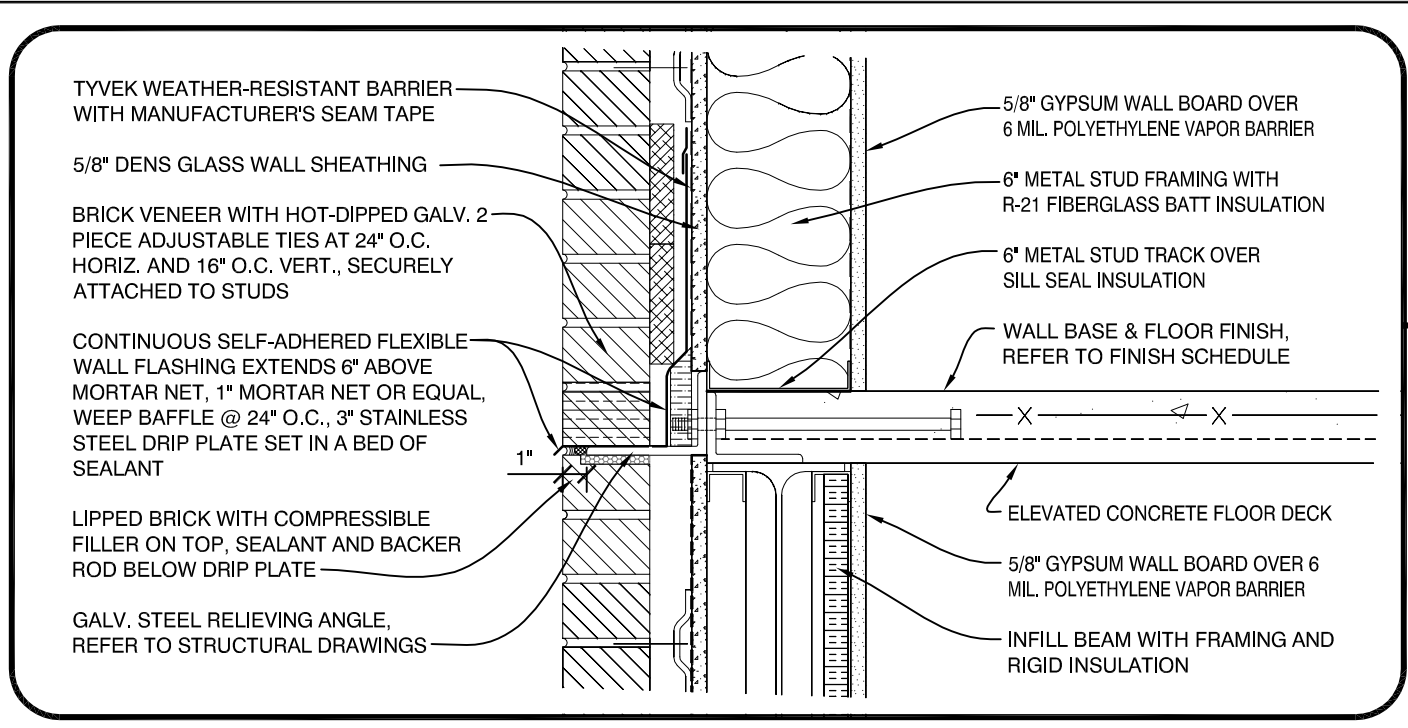
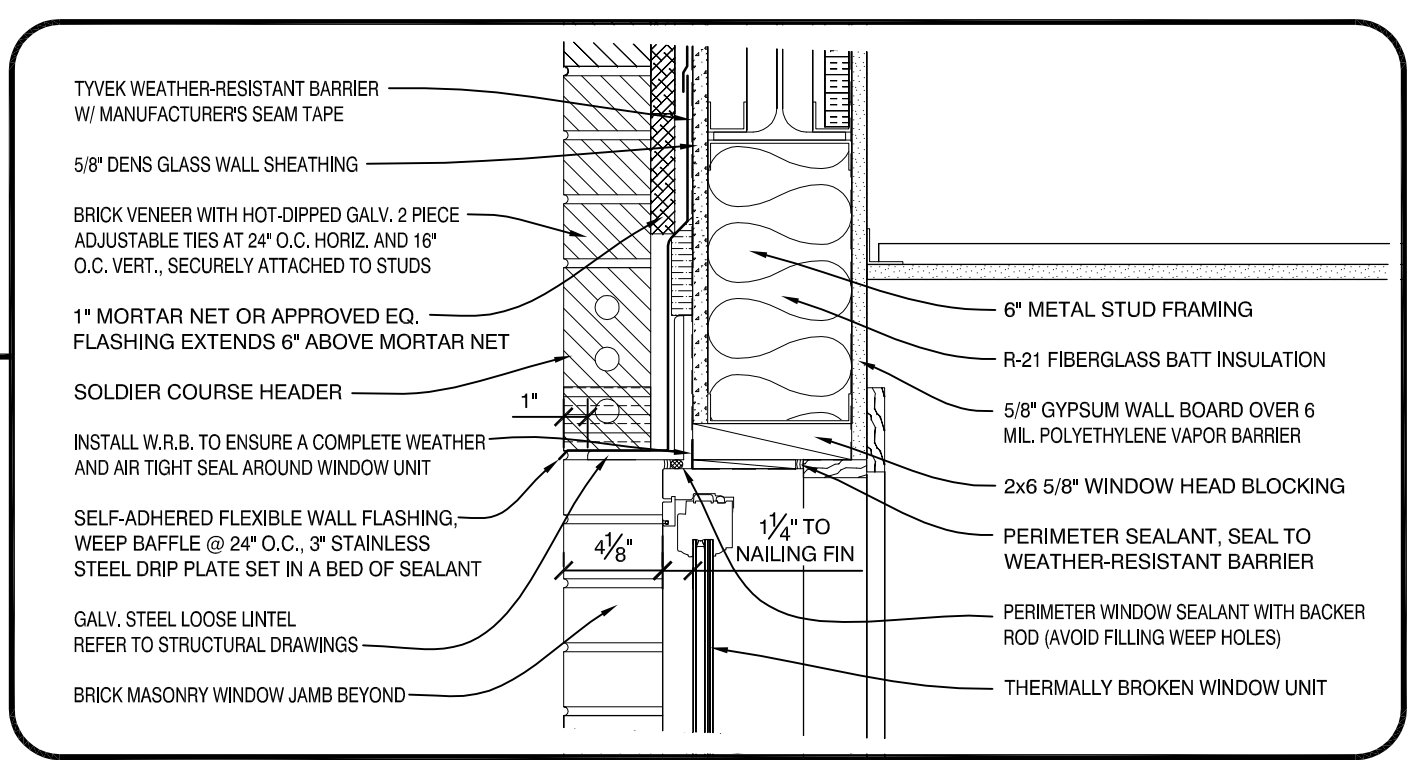


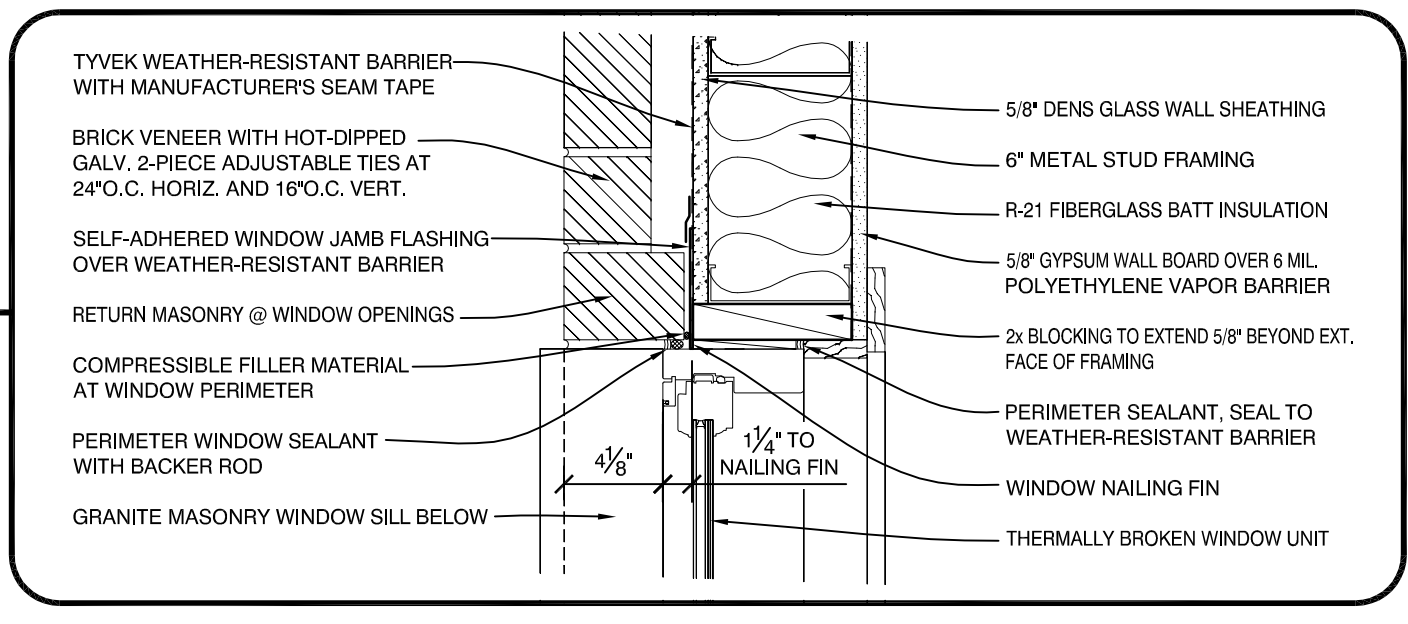
ROOF CORNICE DETAIL
 SCALE: 1 1/2" = 1'-0"



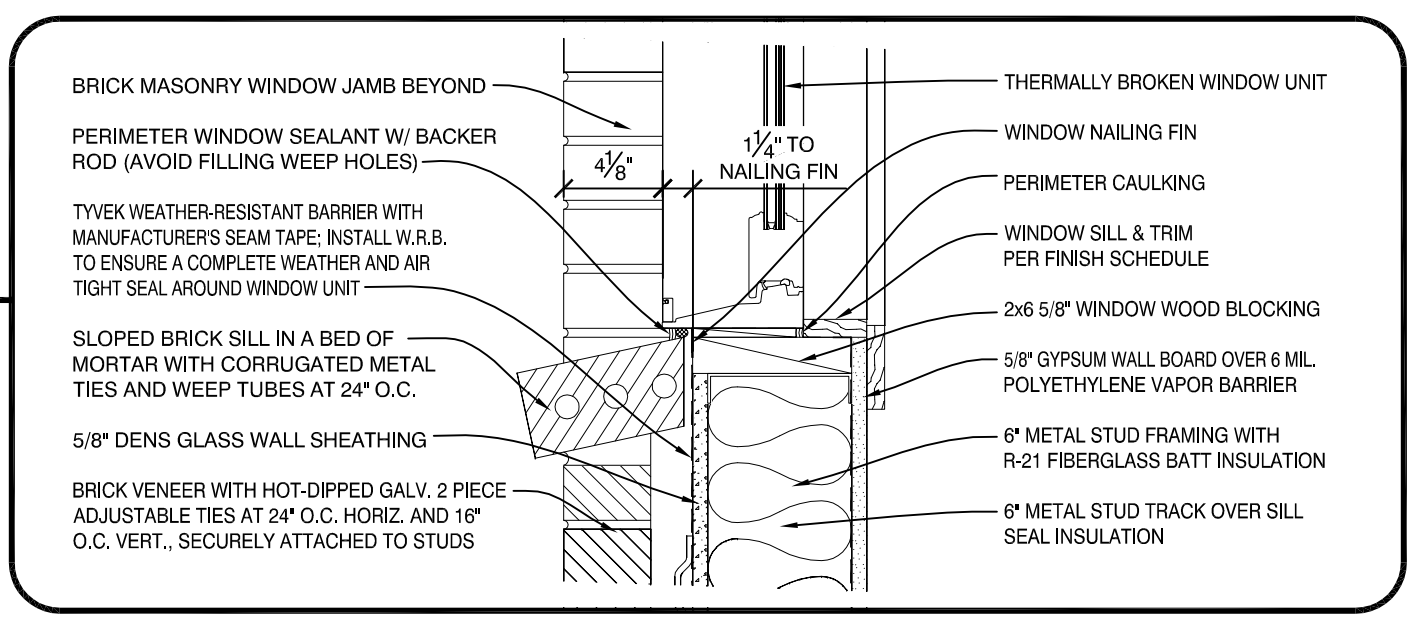
RELIEVING ANGLE DETAIL
 SCALE: 1 1/2" = 1'-0"



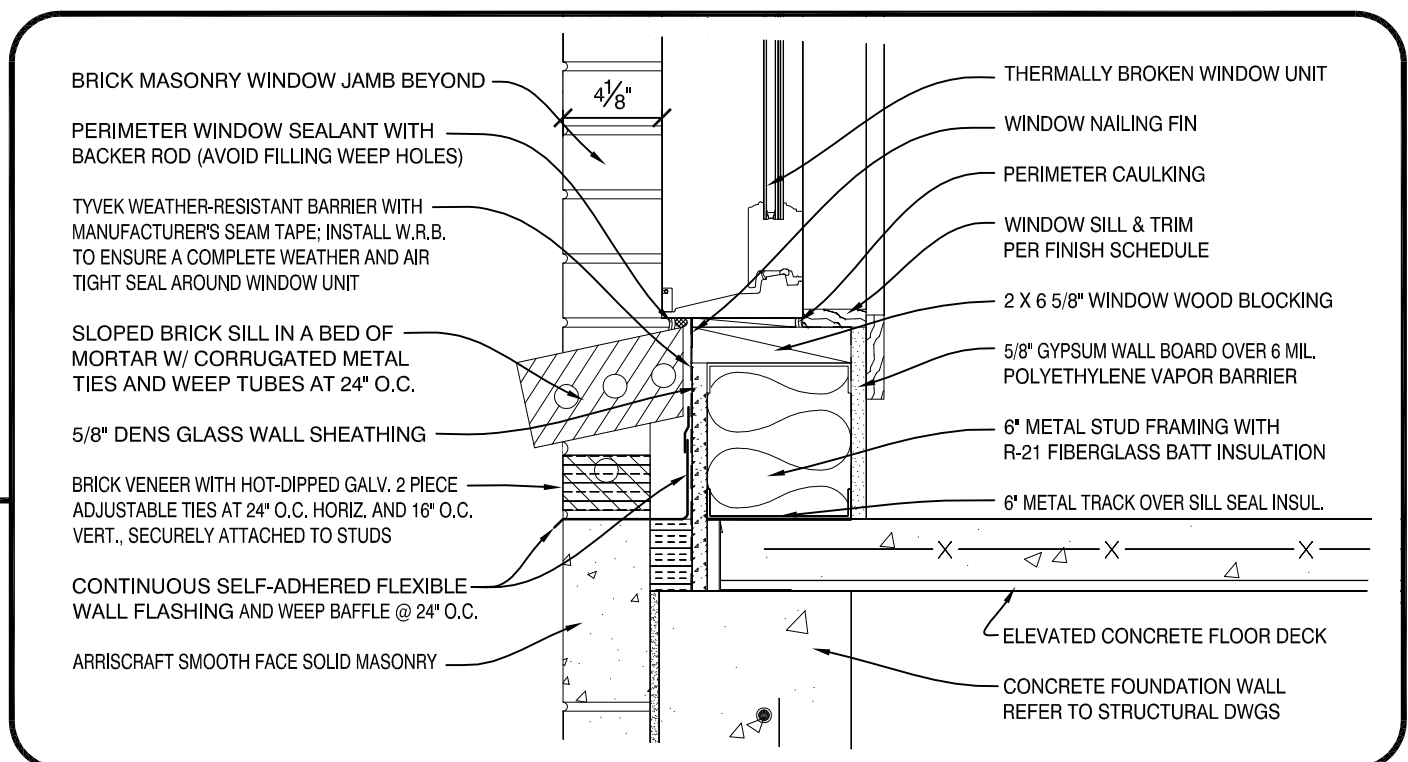
WINDOW HEAD DETAIL
 SCALE: 1 1/2" = 1'-0"



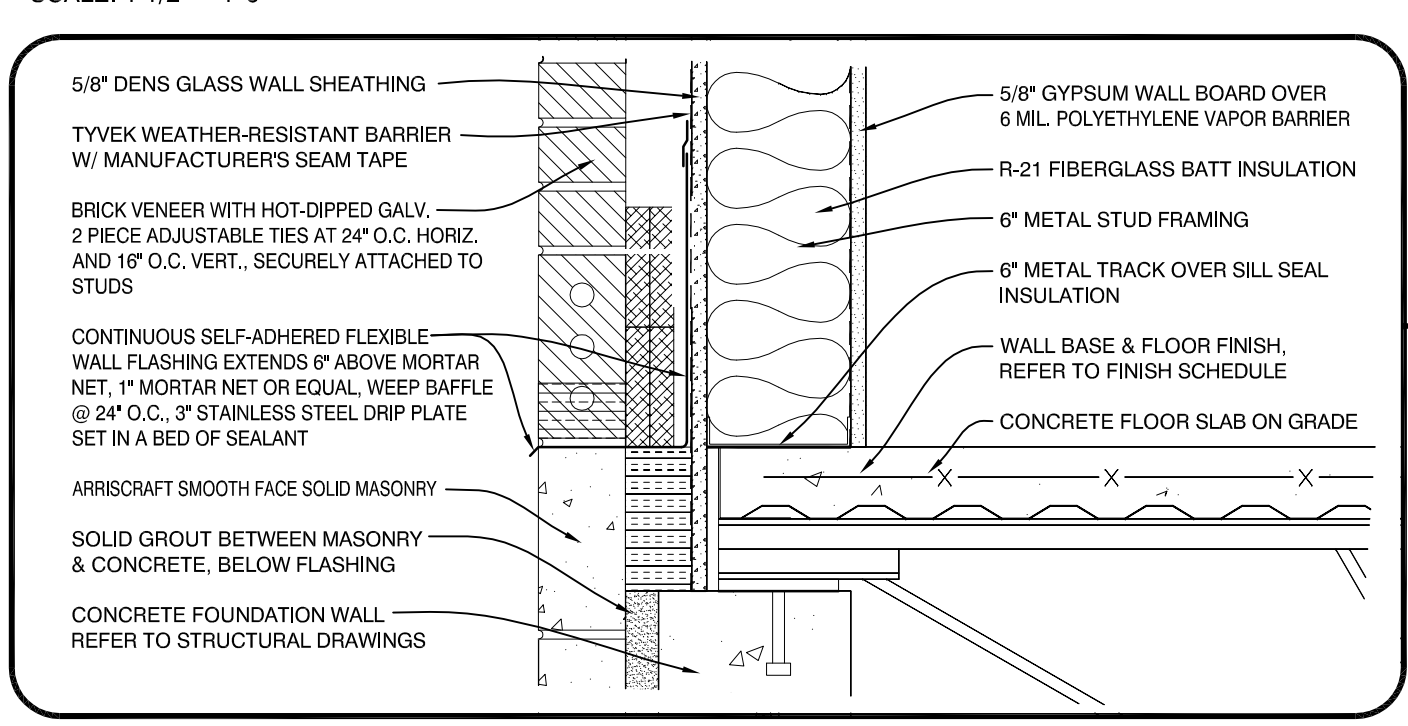
WINDOW JAMB DETAIL
 SCALE: 1 1/2" = 1'-0"



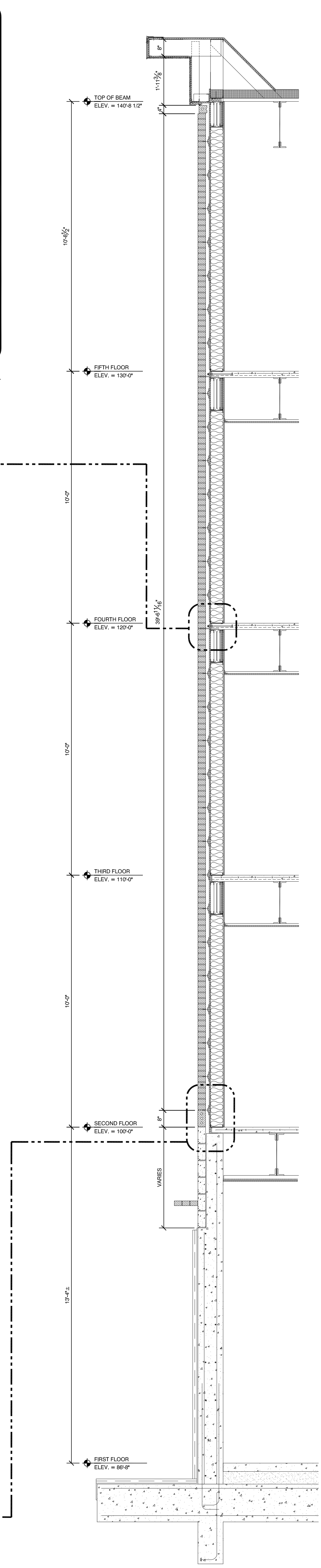
WINDOW SILL DETAIL
 SCALE: 1 1/2" = 1'-0"



WINDOW SILL DETAIL
 SCALE: 1 1/2" = 1'-0"



WALL BASE DETAIL
 SCALE: 1 1/2" = 1'-0"



2 WALL SECTION
 SCALE: 1/2" = 1'-0"

1 WALL SECTION
 SCALE: 1/2" = 1'-0"

<p>sheet number: A4.12</p>	<p>WALL SECTIONS</p>	<p>project architect: KAK drawn by: JJD</p>	ISSUED: 05-09-16 FOR BUILDING PERMIT	REVISION: 06-10-16 ADDED LIPPED BRICK @ RELIEVING ANGLE 08-31-16 ROOF CORNICE SHEATHING CHANGE	<p>Mixed Use Development York & High Street Portland, Maine</p>	
			<p>11 CORPORATE DRIVE • BELMONT • NH 03220 PHONE (603) 527-9090 • WWW.OPECHEE.COM</p>			