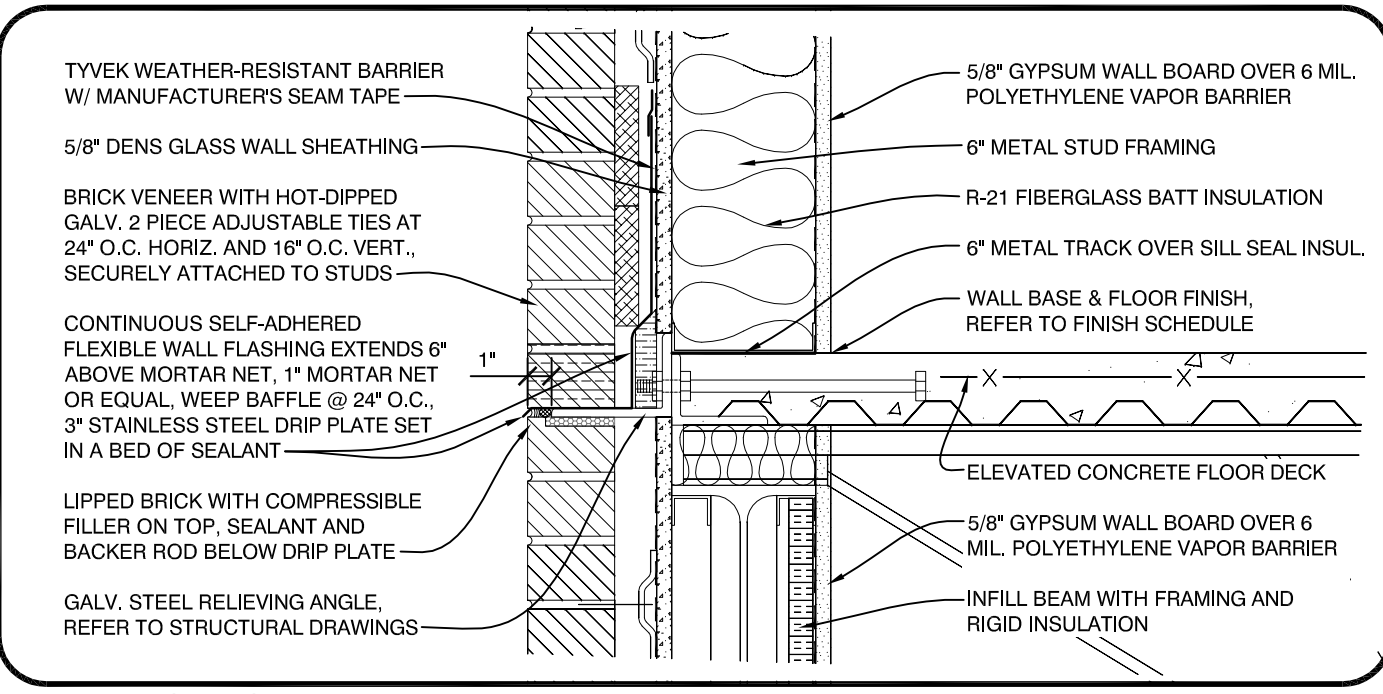
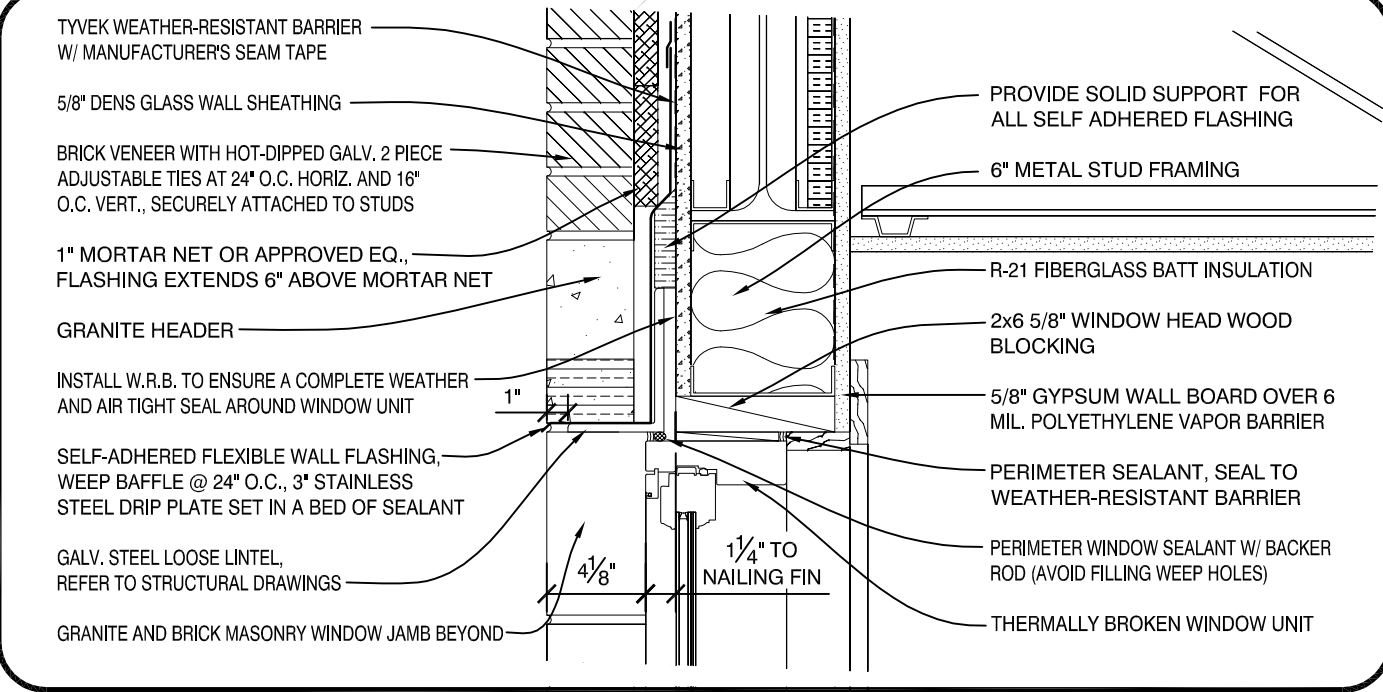


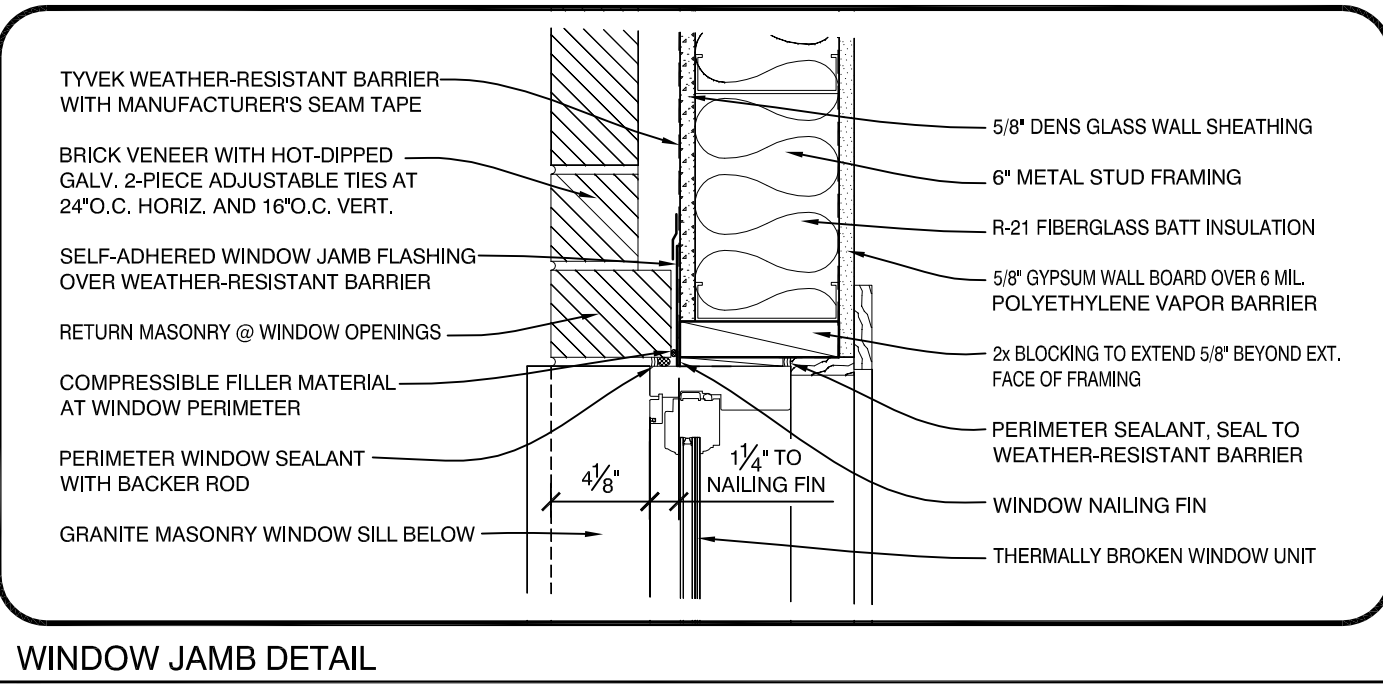
ROOF CORNICE DETAIL
SCALE: 1 1/2" = 1'-0"



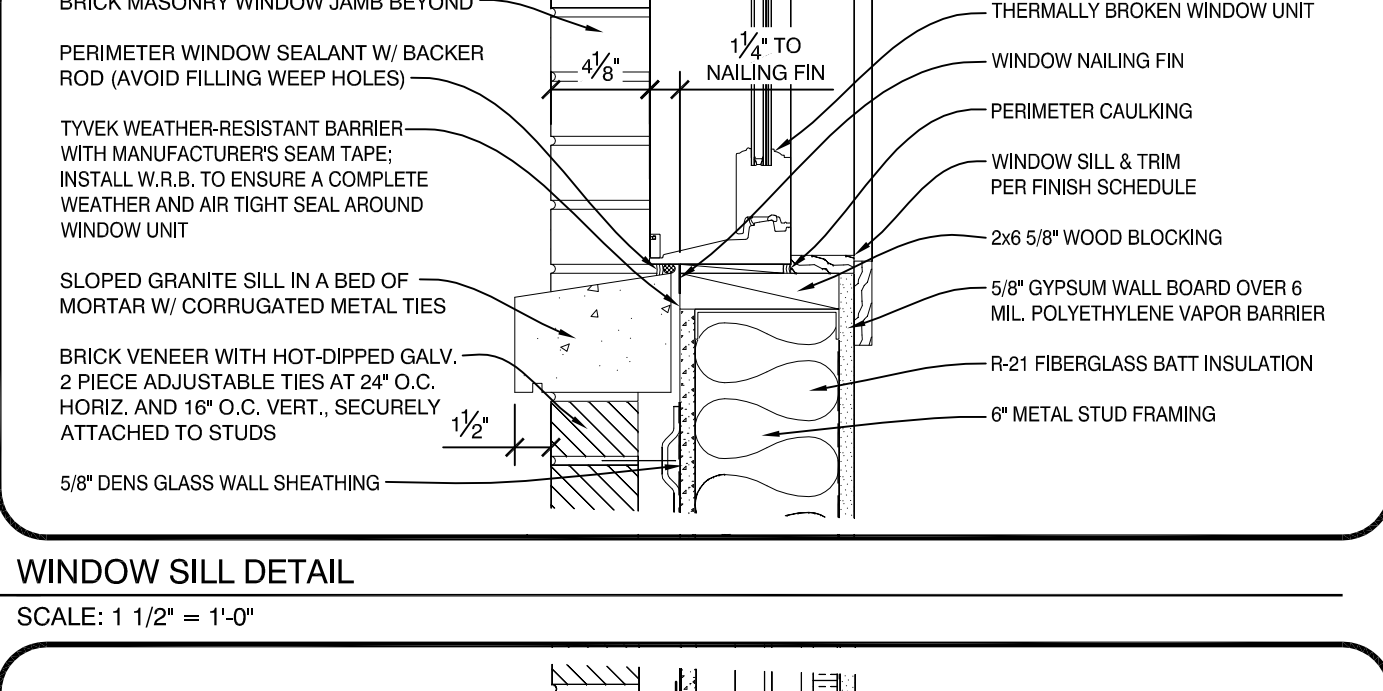
RELIEVING ANGLE DETAIL
SCALE: 1 1/2" = 1'-0"



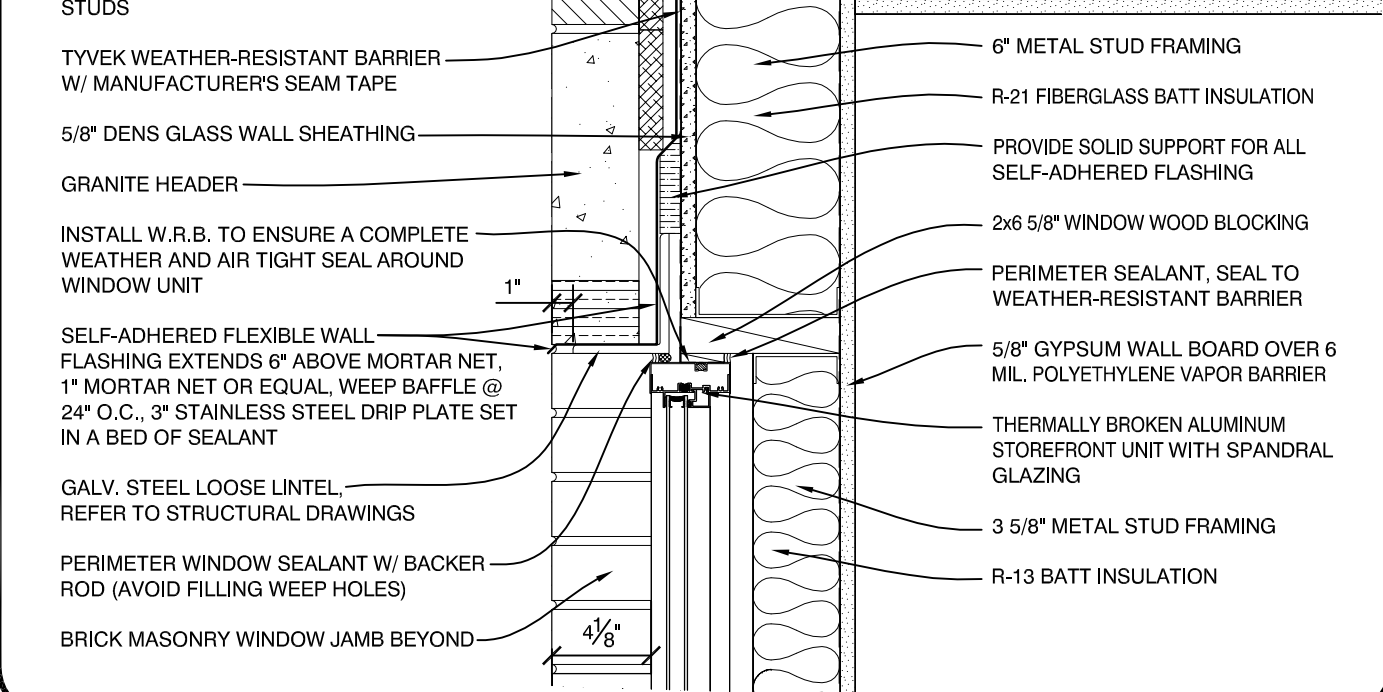
WINDOW HEAD DETAIL
SCALE: 1 1/2" = 1'-0"



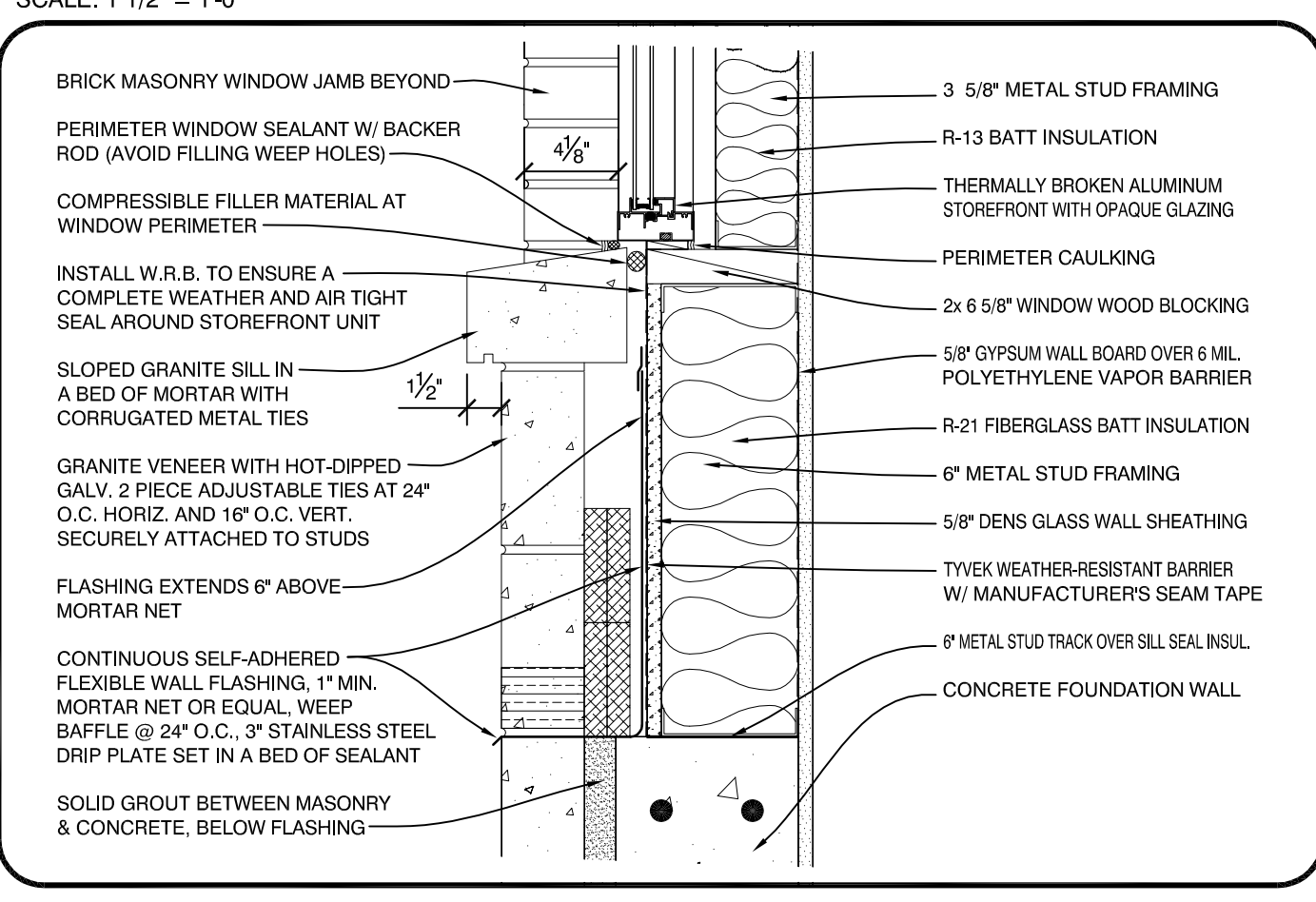
WINDOW JAMB DETAIL
SCALE: 1 1/2" = 1'-0"



WINDOW SILL DETAIL
SCALE: 1 1/2" = 1'-0"



WINDOW HEAD DETAIL (OPAQUE)
SCALE: 1 1/2" = 1'-0"



WINDOW SILL DETAIL (OPAQUE)
SCALE: 1 1/2" = 1'-0"

1 WALL SECTION
SCALE: 1/2" = 1'-0"

2 WALL SECTION
SCALE: 1/2" = 1'-0"

<p>A4.01</p>	<p>WALL SECTIONS</p>	<p>ISSUED: 05-09-16 FOR BUILDING PERMIT</p>	<p>REVISION: 06-10-16 ADDED LIPPED BRICK @ RELIEVING ANGLE 08-31-16 ROOF CORNICE SHEATHING CHANGE</p>	<p>Mixed Use Development</p> <p>York & High Street Portland, Maine</p>	
		<p>project architect: KAK</p> <p>drawn by: JJD</p>	<p>11 CORPORATE DRIVE • BELMONT • NH 03220 PHONE (603) 527-9090 • WWW.OPECHEE.COM</p>		