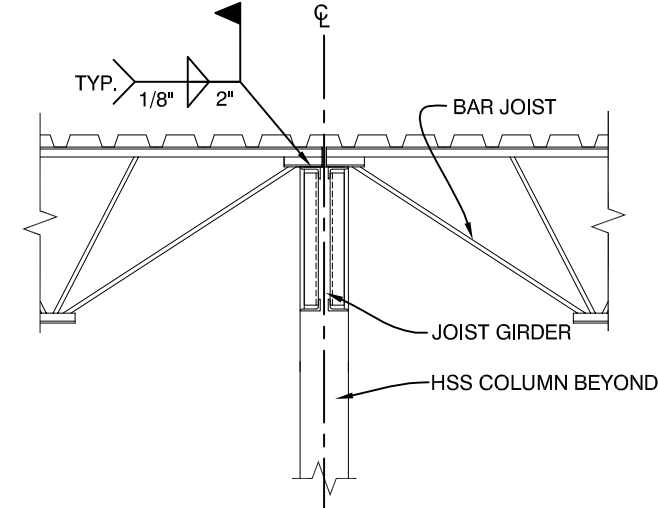
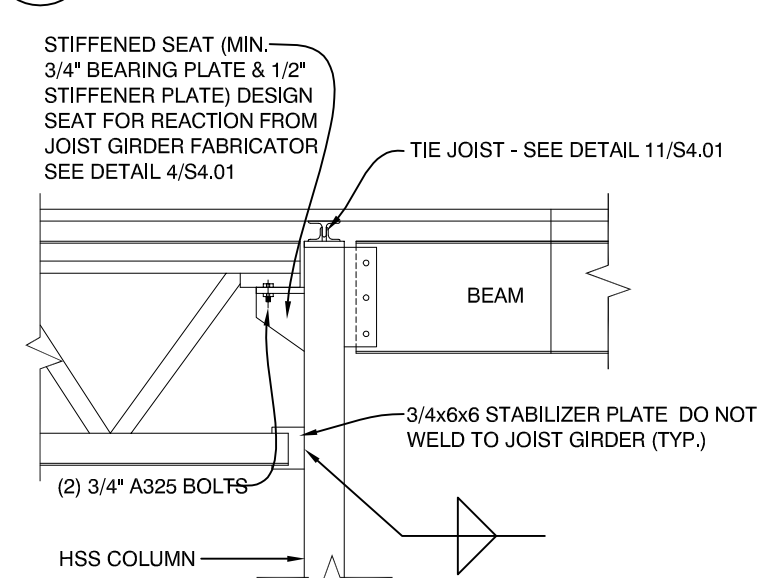


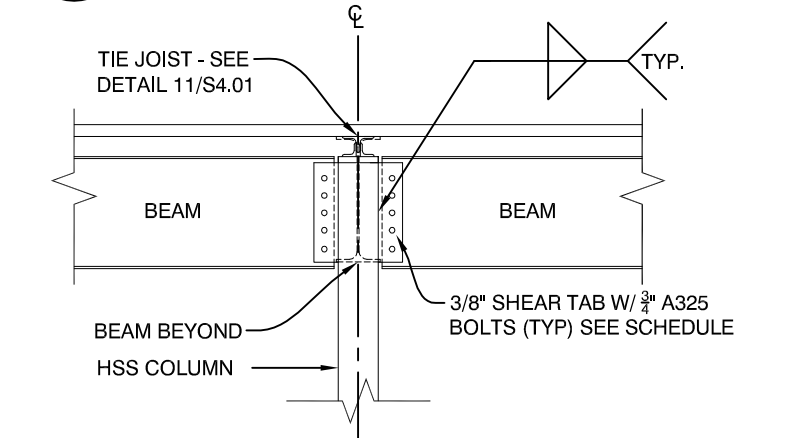
Monday, March 28, 2016 2:51:32 PM



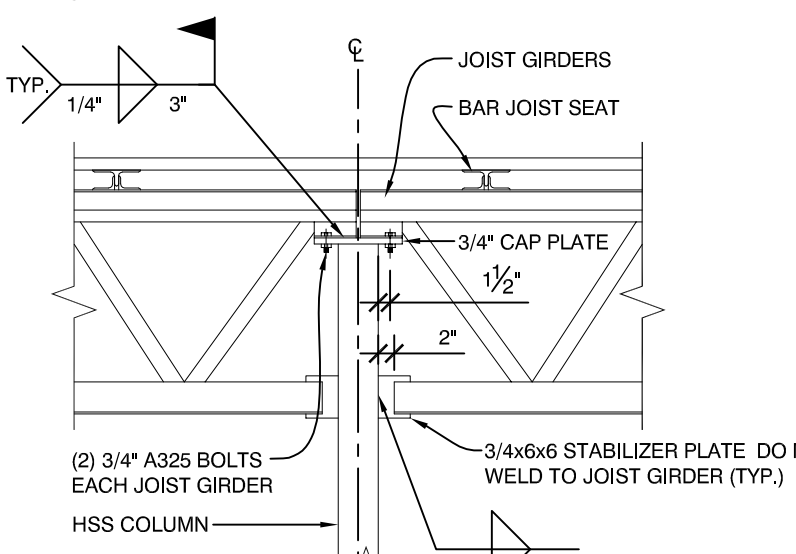
16 ROOF BAR JOIST / JOIST GIRDER CONNECTION  
1/2" = 1'-0"



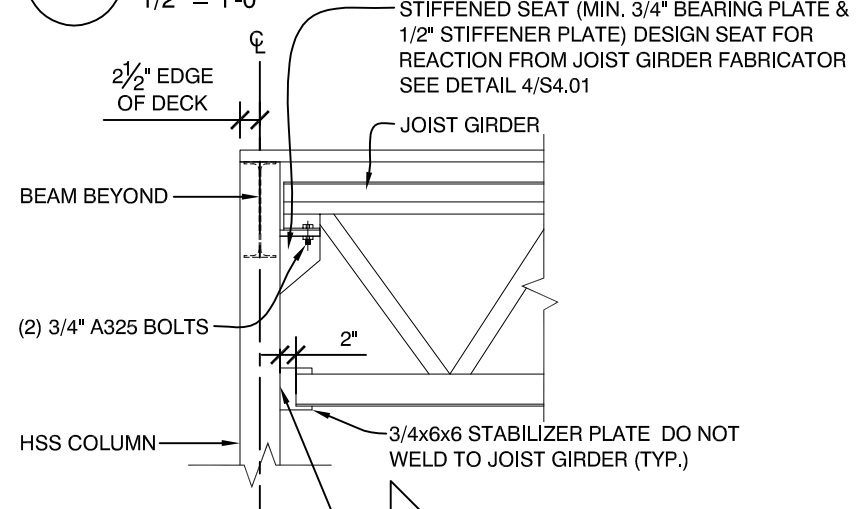
15 JOIST GIRDER / BEAM CONNECTION  
1/2" = 1'-0"



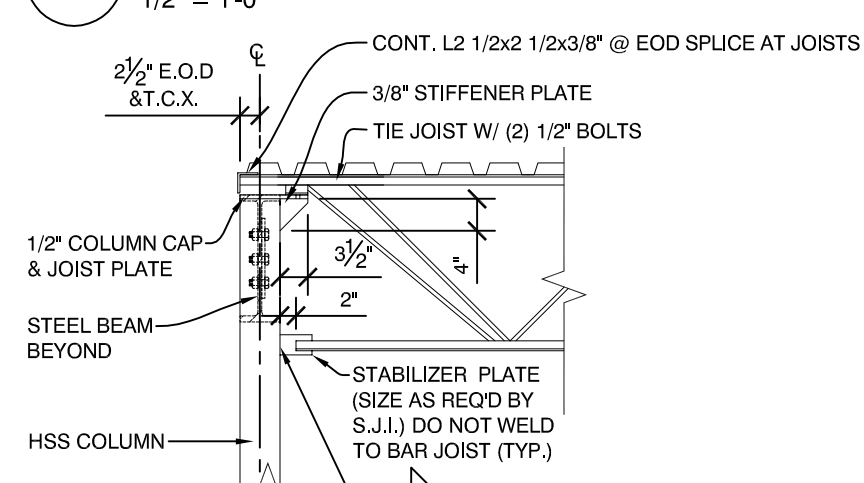
14 ROOF BEAM TO COLUMN CONNECTION  
1/2" = 1'-0"



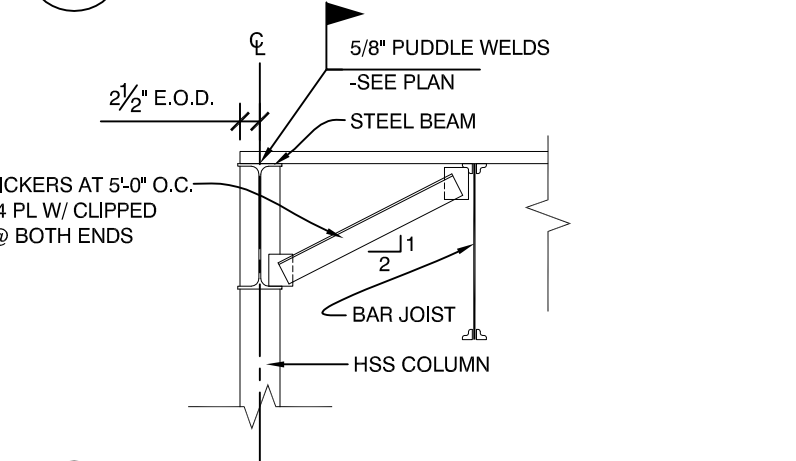
13 ROOF JOIST GIRDER CONNECTION  
1/2" = 1'-0"



12 ROOF EDGE JOIST GIRDER CONNECTION  
1/2" = 1'-0"

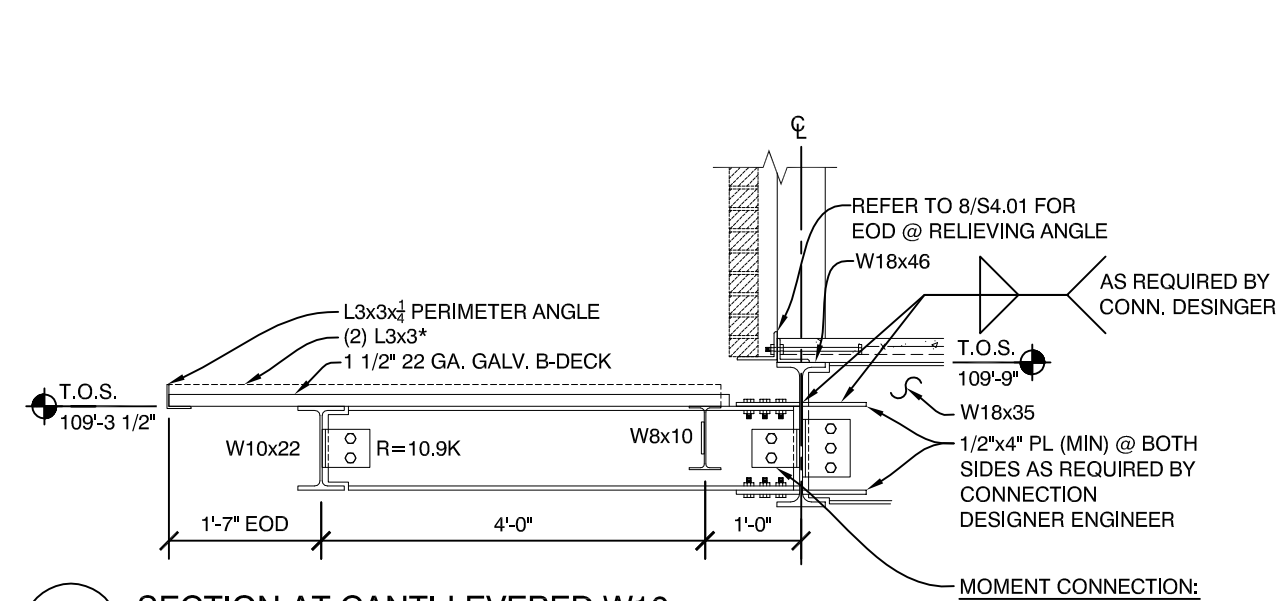


11 TIE JOIST @ ROOF (@ FLOOR SIMILAR)  
1/2" = 1'-0"

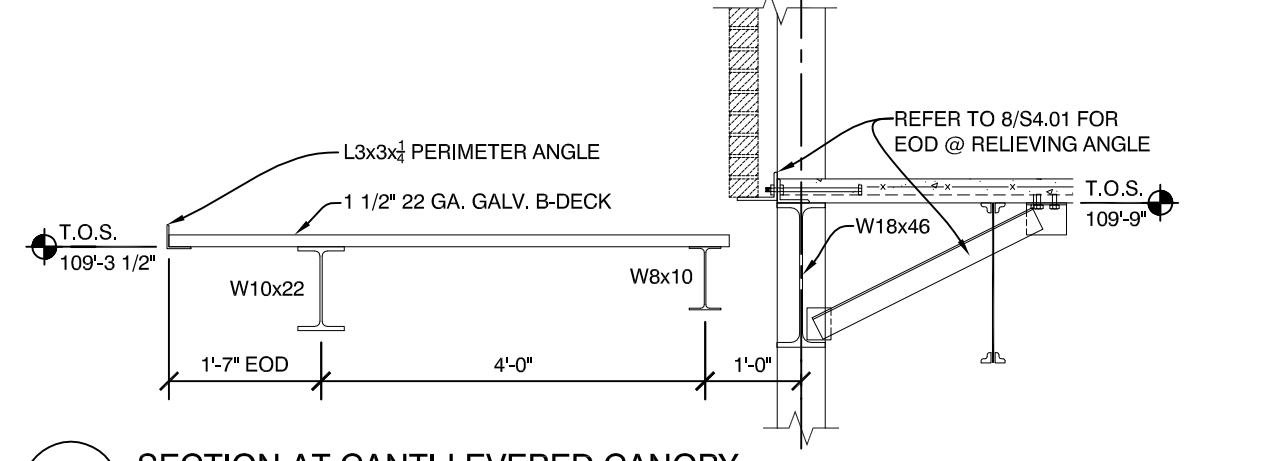


10 EDGE OF DECK @ ROOF  
1/2" = 1'-0"

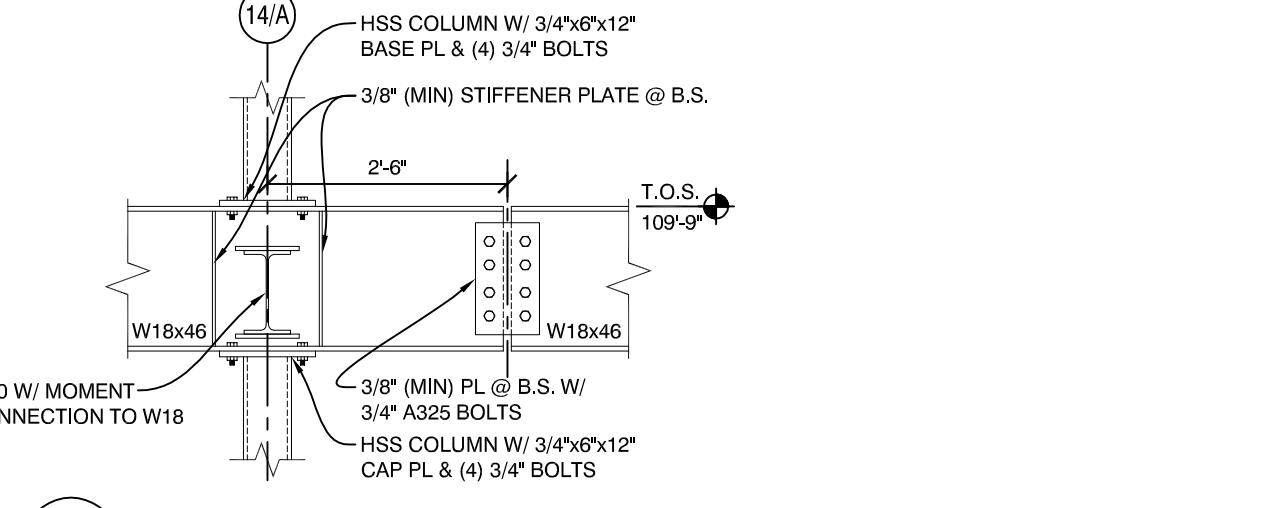
ROOF FRAMING DETAILS



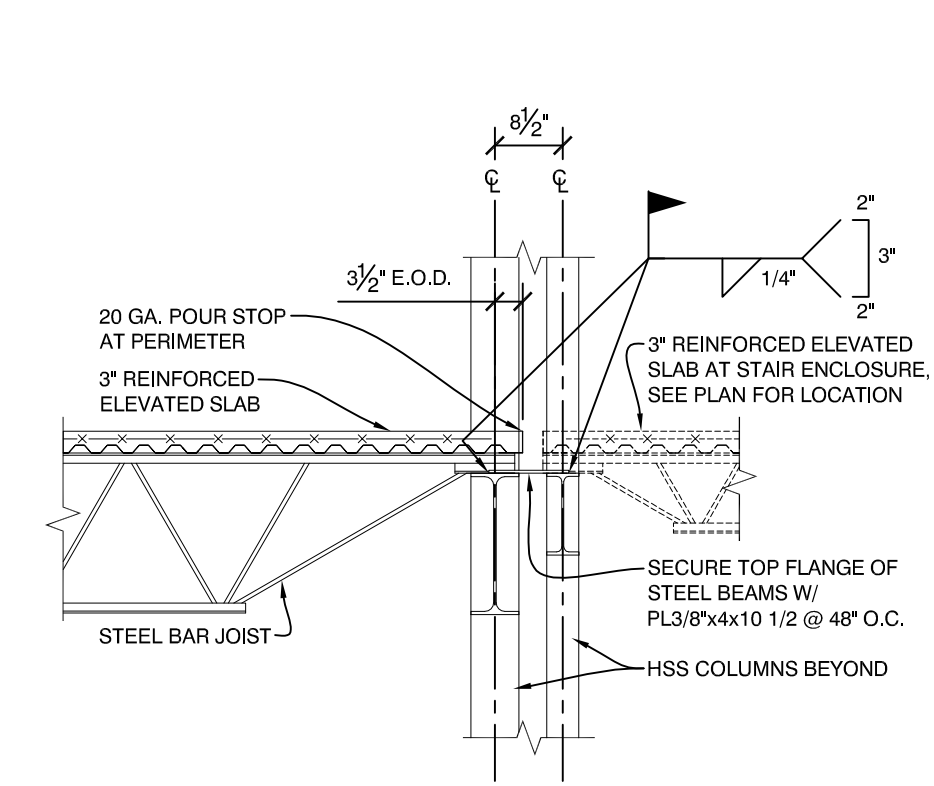
20 SECTION AT CANTI-LEVERED W10  
1/2" = 1'-0"



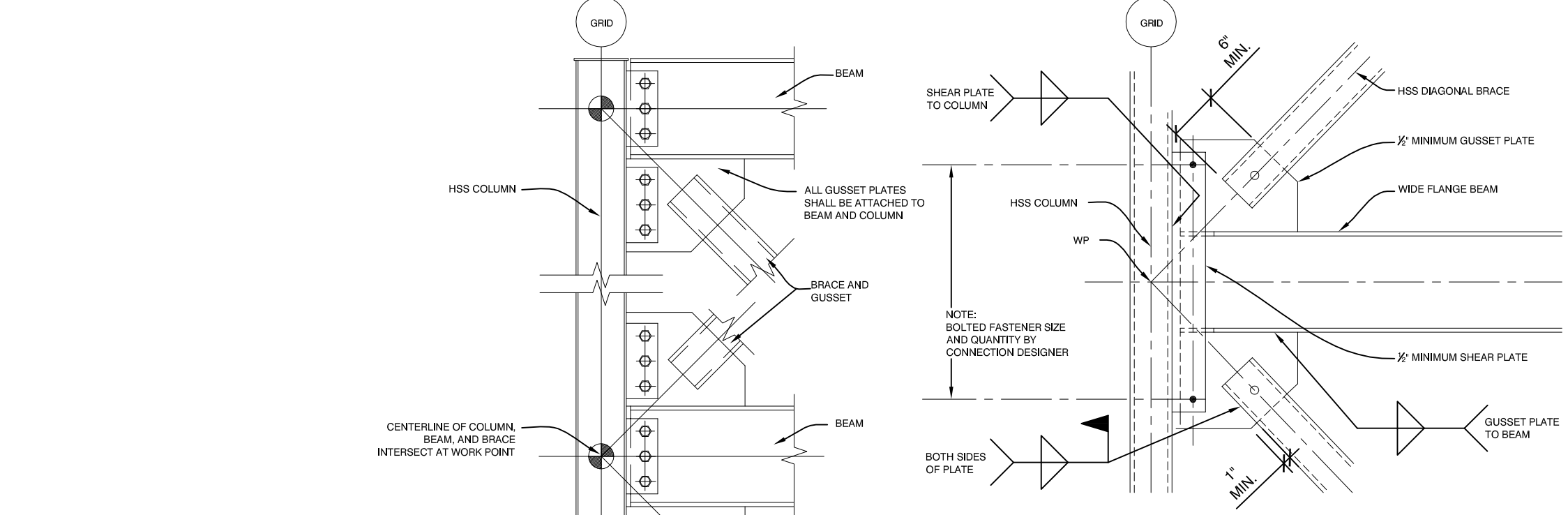
21 SECTION AT CANTI-LEVERED CANOPY  
1/2" = 1'-0"



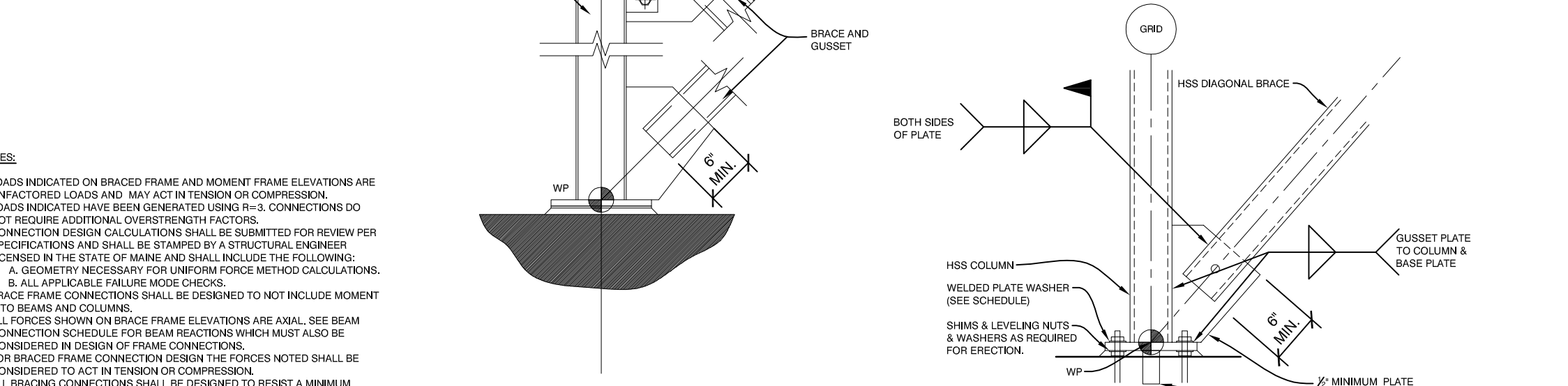
22 DETAIL @ BEAM & COLUMN 14/A  
1/2" = 1'-0"



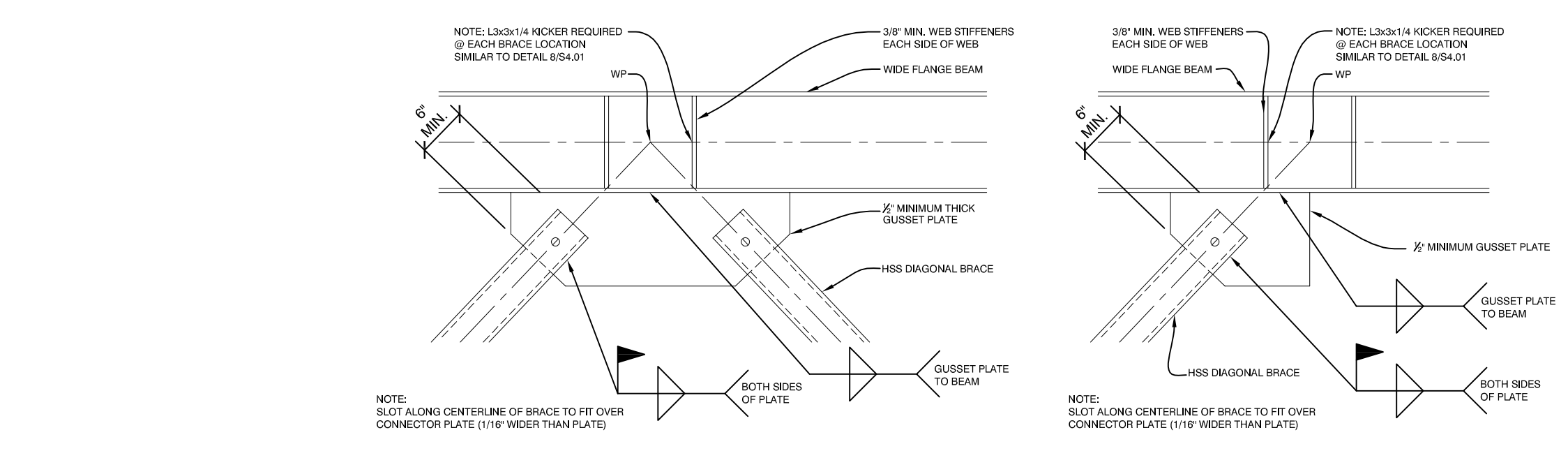
19 EOD AT STAIR DETAIL  
1/2" = 1'-0"



9 EOD @ RELIEVING ANGLE (TYPICAL)  
1/2" = 1'-0"

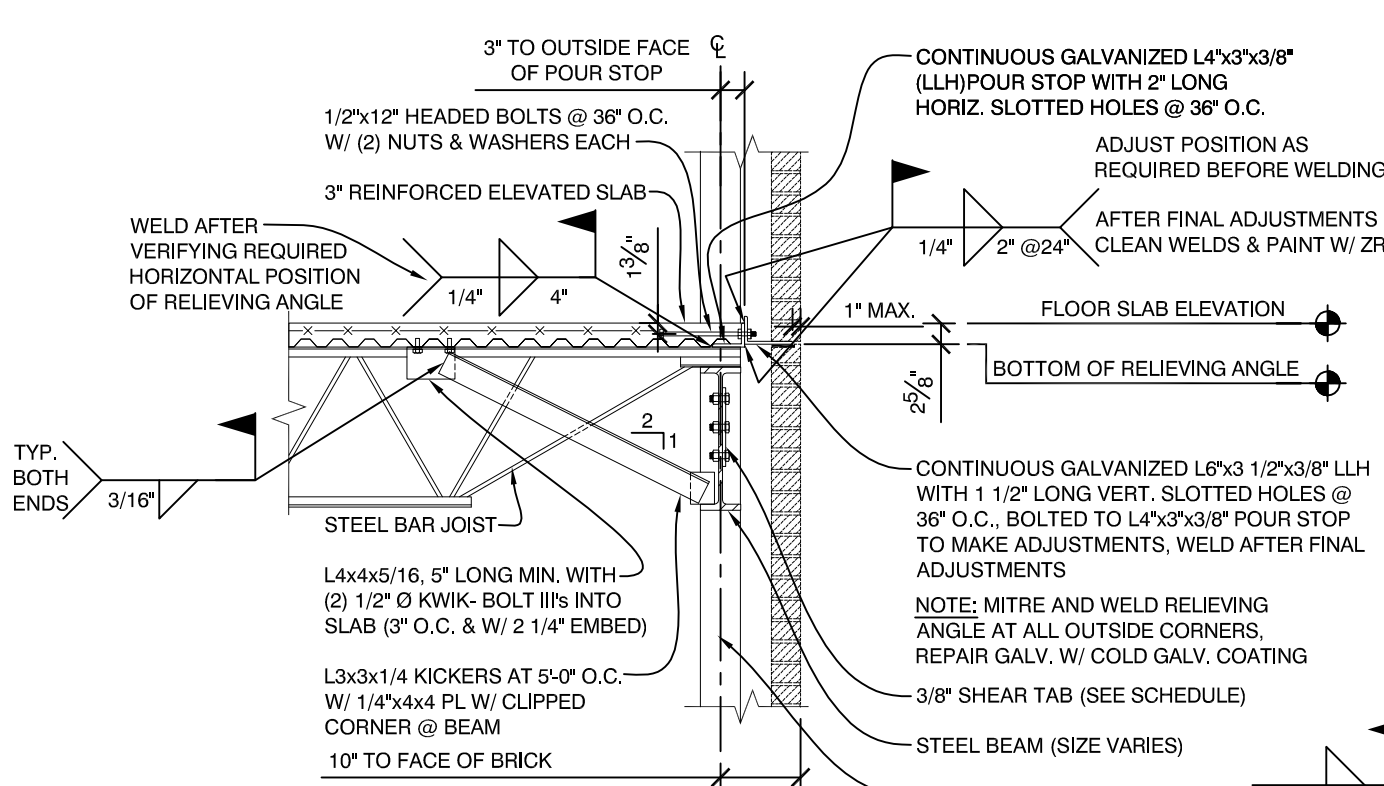


8 TCX/EOD @ RELIEVING ANGLE (TYPICAL)  
1/2" = 1'-0"

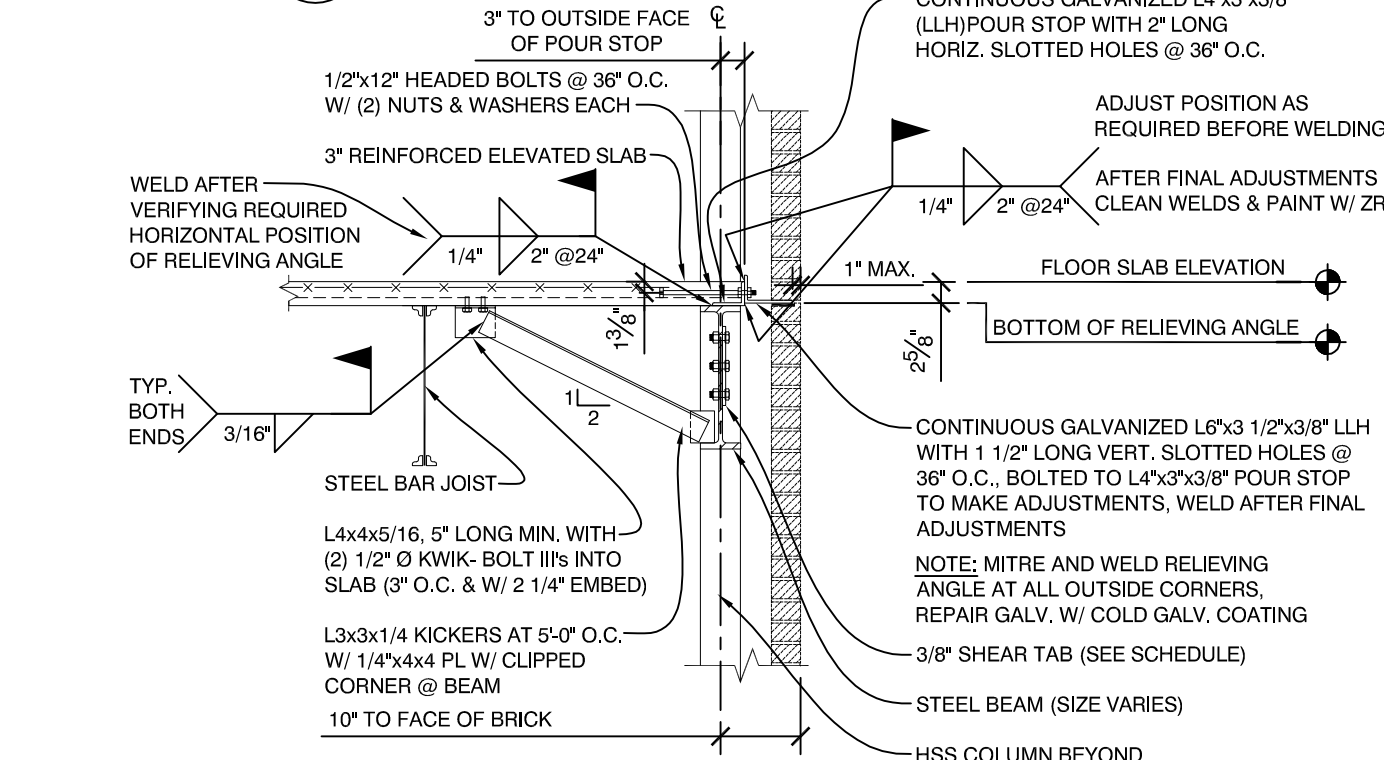


7 SHELF ANGLE DETAIL (TYPICAL)  
1/2" = 1'-0"

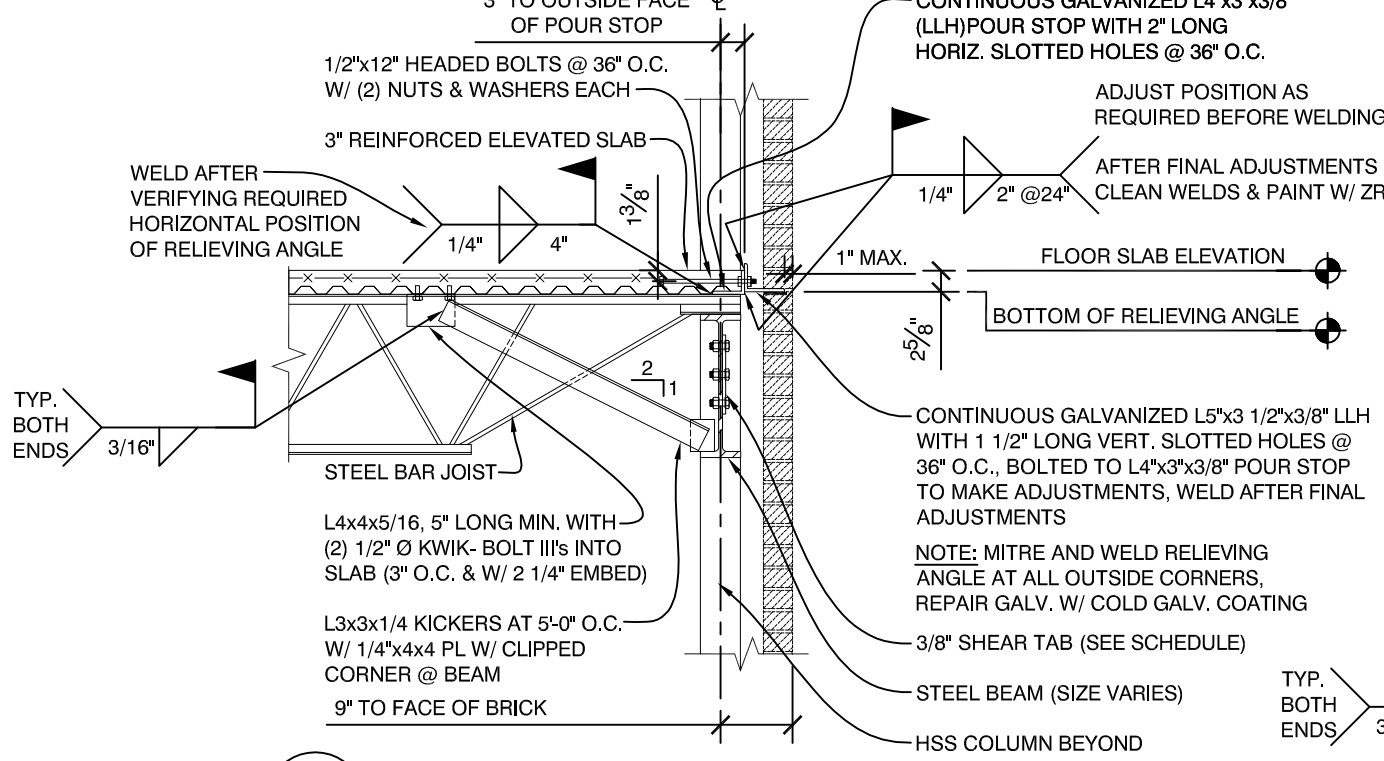
FLOOR FRAMING DETAILS



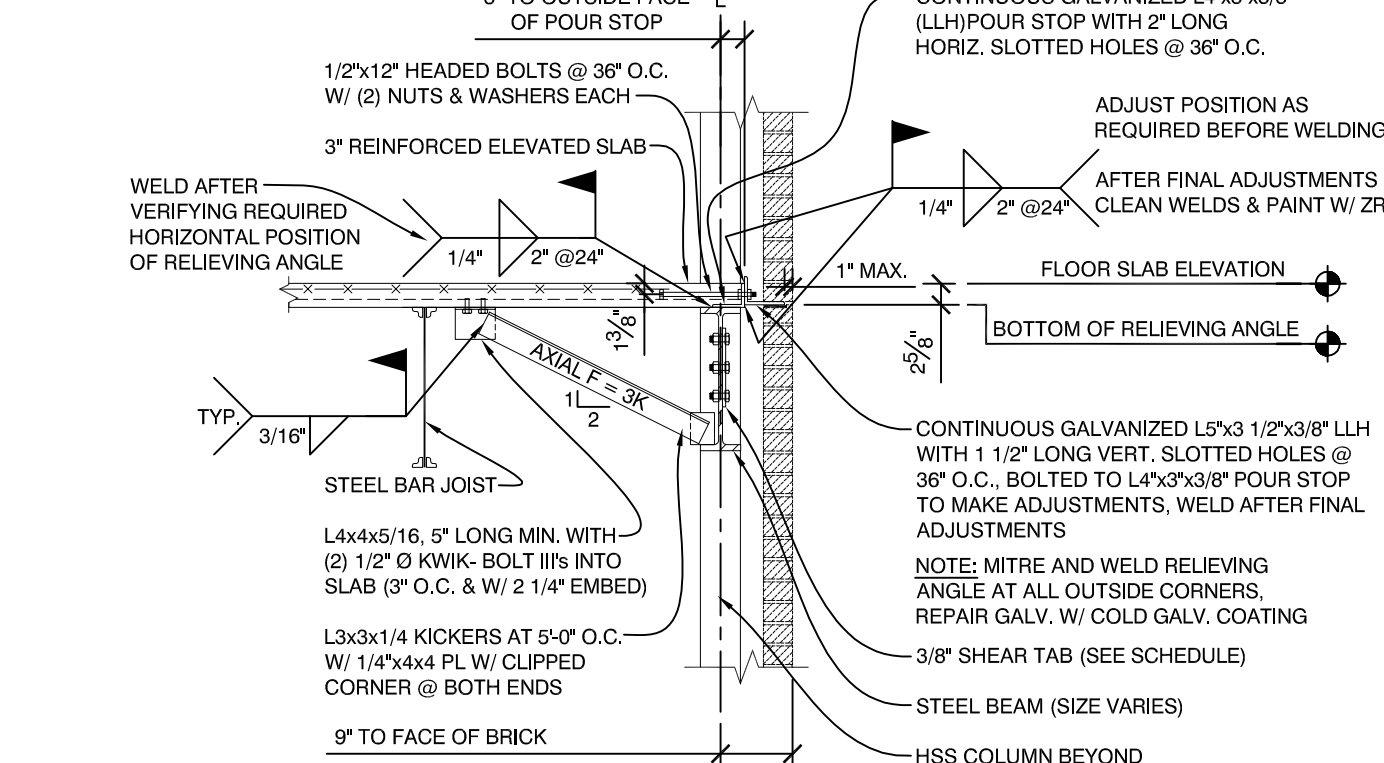
6 BAR JOIST CONNECTION AT JOIST GIRDER (TYPICAL)  
1/2" = 1'-0"



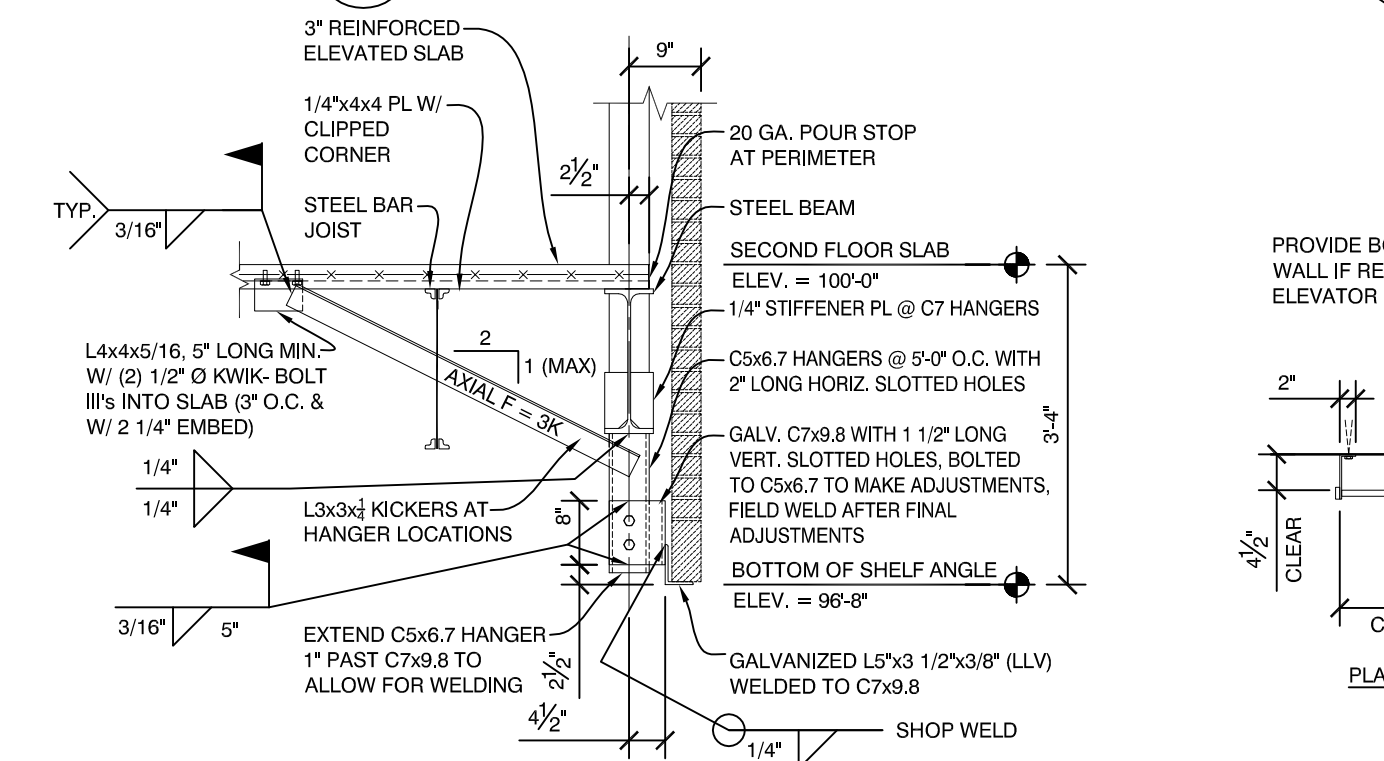
5 BEAM CONNECTION @ COL. TIE JOIST SEAT @ COL.  
1/2" = 1'-0"



4 FLOOR JOIST GIRDER SEAT CONNECTION  
1/2" = 1'-0"

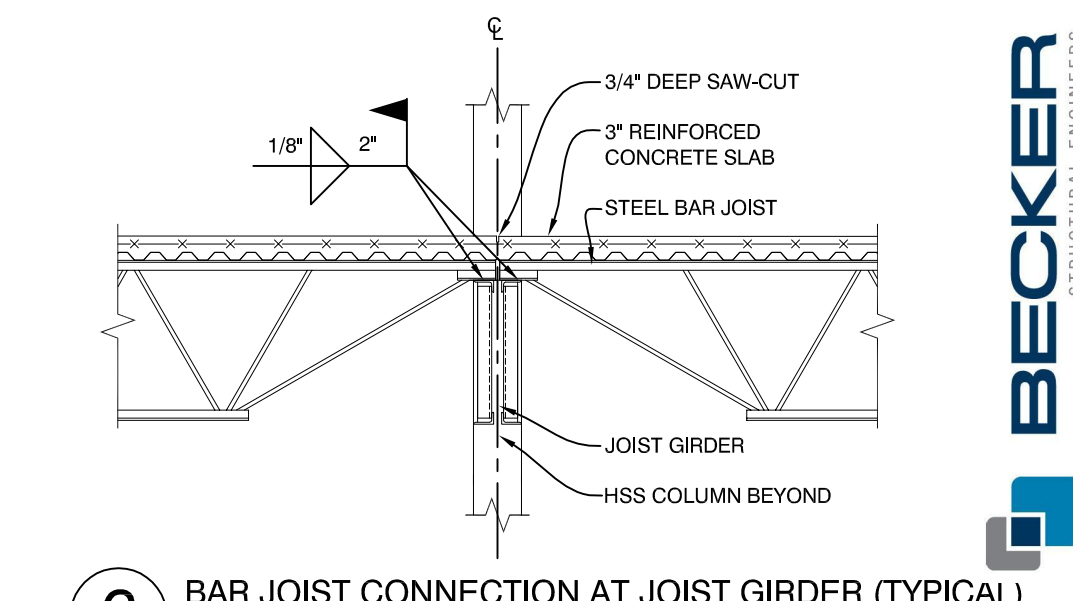


3 TCX/EOD DETAIL (TYPICAL)  
1/2" = 1'-0"

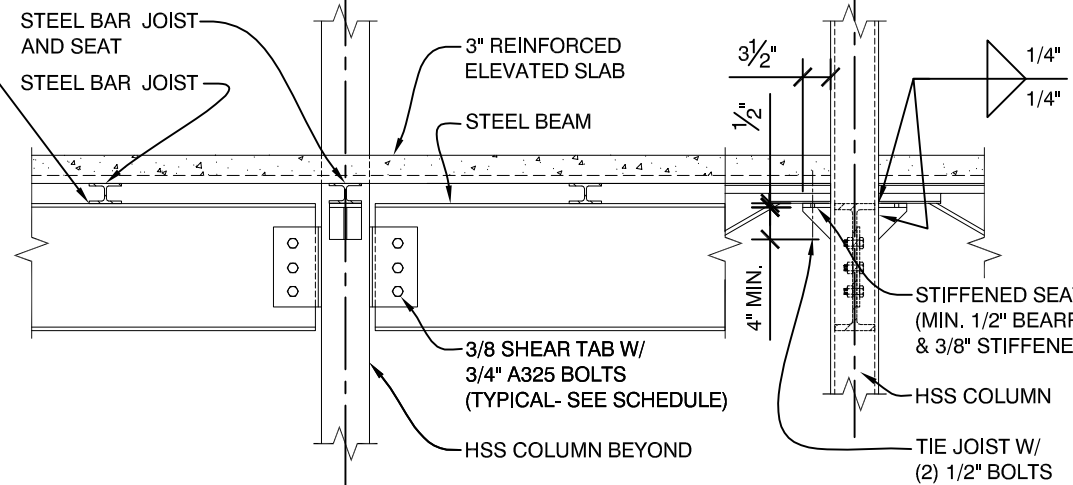


2 PERIMETER DECK CONNECTION W/OUT RELIEVING ANGLE  
1/2" = 1'-0"

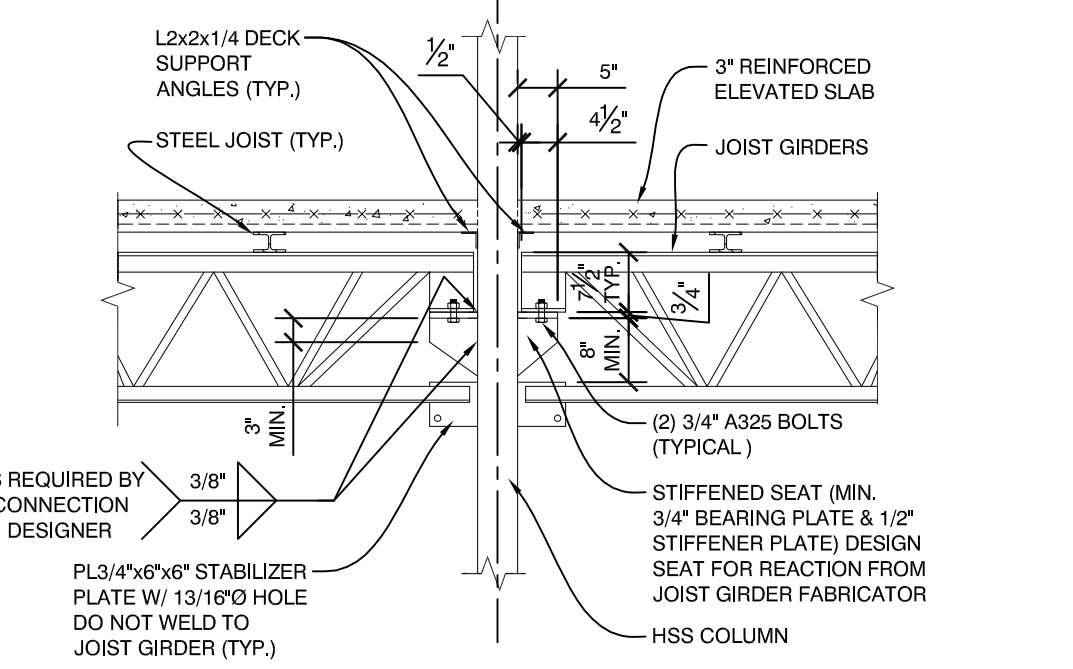
FLOOR FRAMING DETAILS



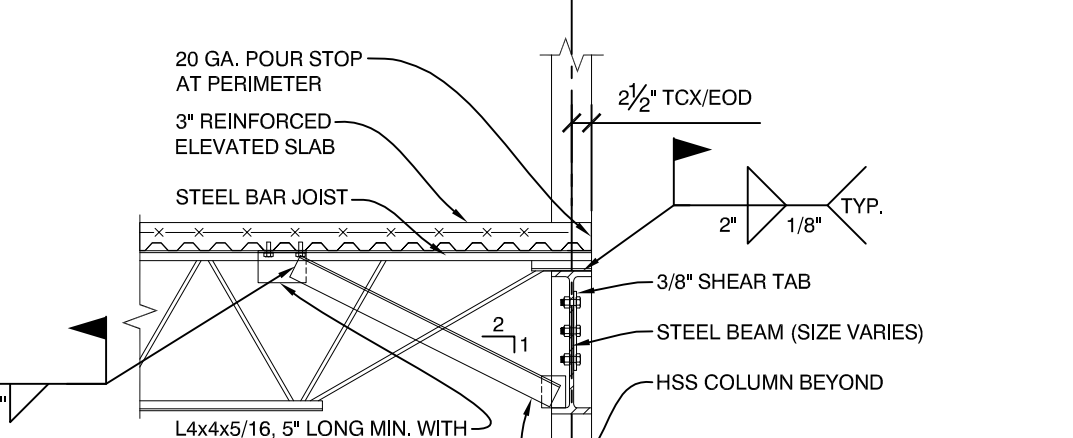
1 ELEVATOR PIT LADDER  
1/2" = 1'-0"



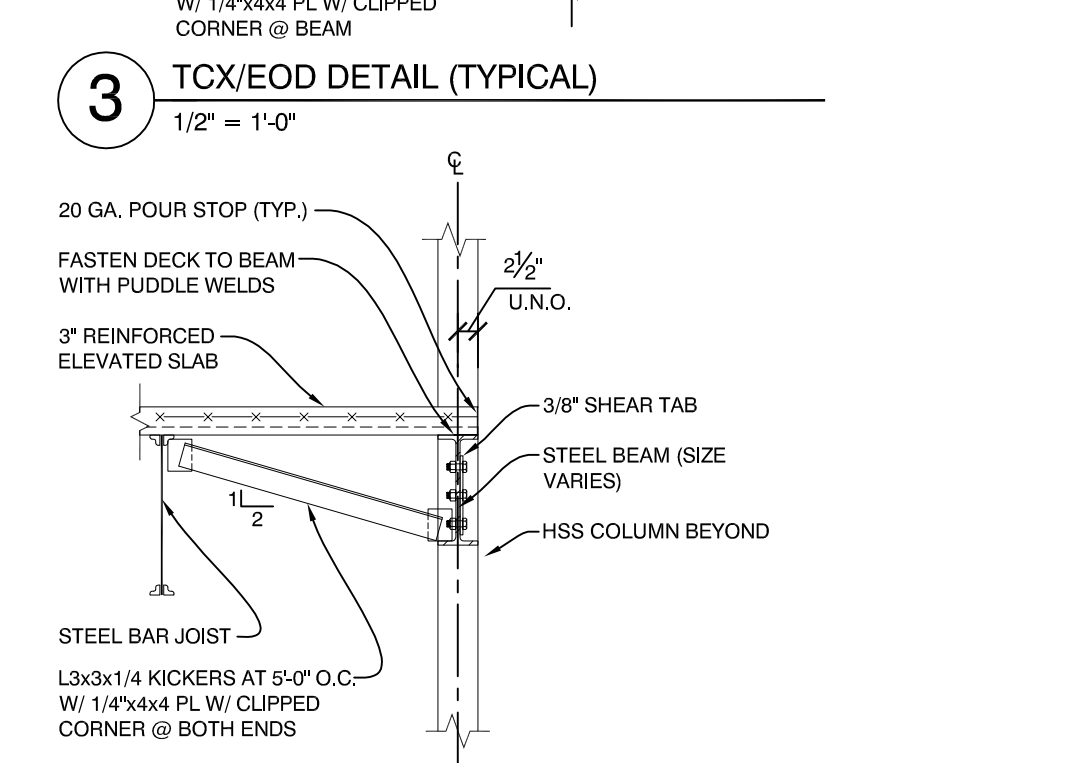
18 TXC/EOD @ RELIEVING ANGLE (TYPICAL)  
1/2" = 1'-0"



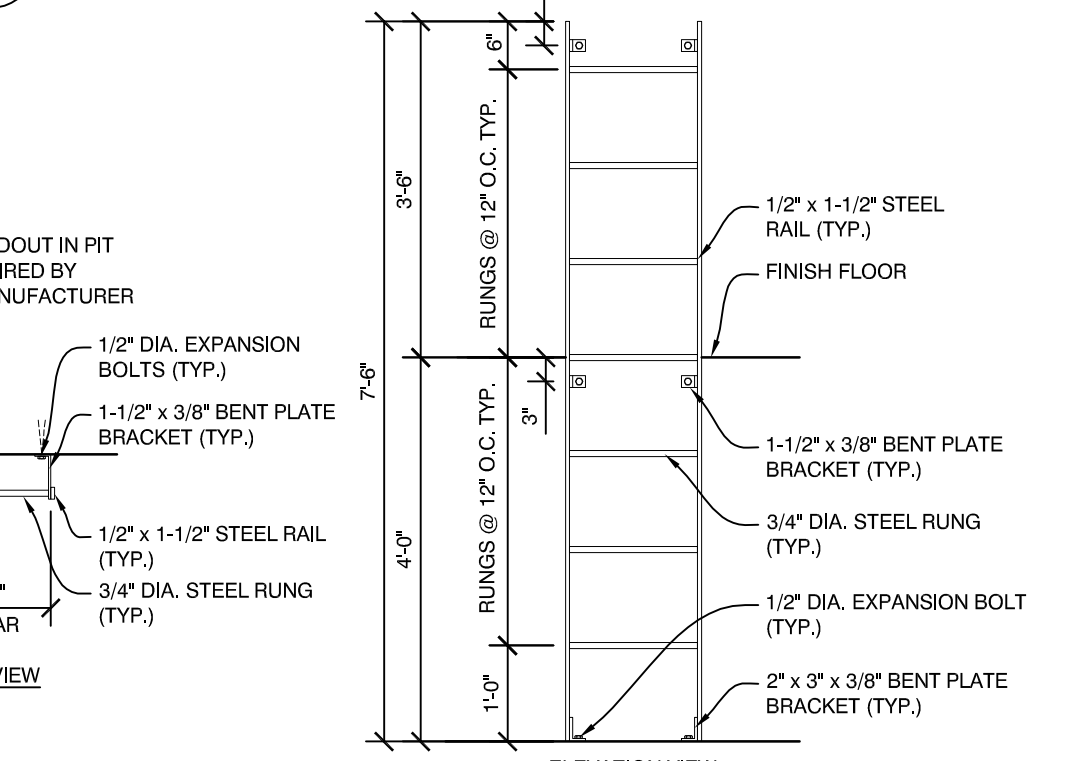
17 EOD @ RELIEVING ANGLE (TYPICAL)  
1/2" = 1'-0"



16 ROOF BAR JOIST / JOIST GIRDER CONNECTION  
1/2" = 1'-0"



15 JOIST GIRDER / BEAM CONNECTION  
1/2" = 1'-0"

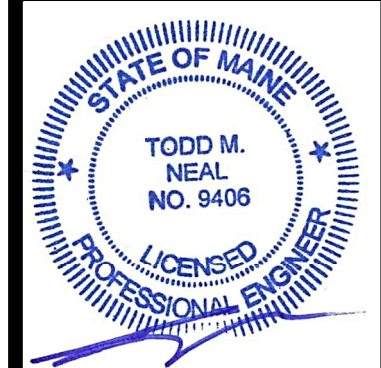


14 ROOF BEAM TO COLUMN CONNECTION  
1/2" = 1'-0"

ROOF FRAMING DETAILS



75 York Street, Portland, Maine 04101  
202.879.1838 • beckerarch.com



Mixed Use Development  
York & High Street  
Portland, Maine

REVISION:  
03/17/16 BSE CONSTRUCTION MARKUPS

ISSUED:  
01/13/16 FOR STRUCTURAL REVIEW  
02/24/16 FOR STRUCTURAL REVIEW  
FOR BUILDING PERMIT 02/26/16  
03/28/16 FOR CONSTRUCTION

project architect: KAK  
drawn by: JUD

FRAMING DETAILS  
sheet number:

S4.01