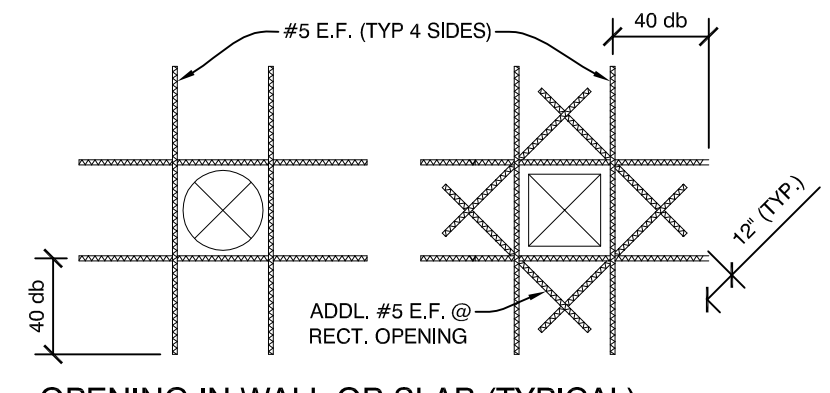
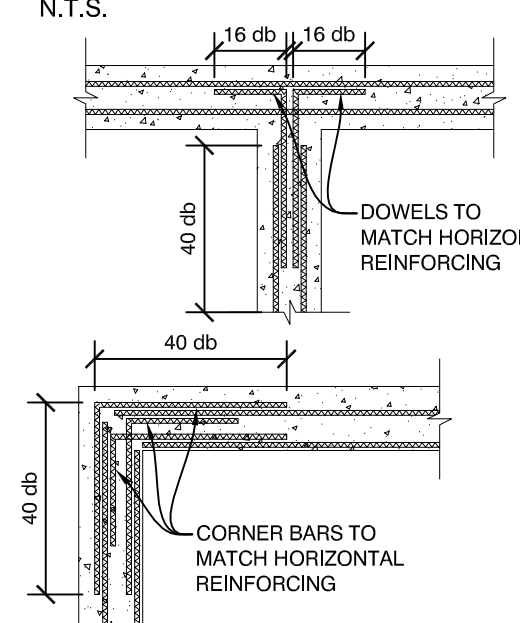


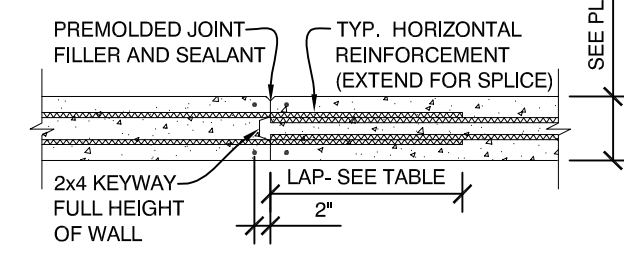
**ALT. ISOLATION JOINT SLAB ON GRADE DETAIL AT INT. COLUMN**  
1/2" = 1'-0"



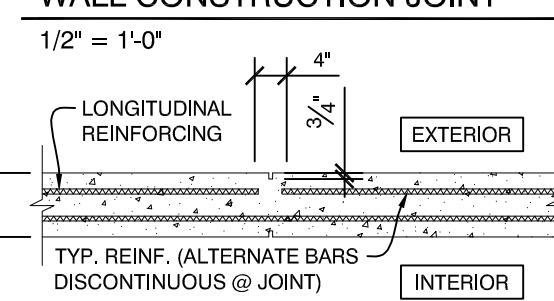
**OPENING IN WALL OR SLAB (TYPICAL)**  
1/2" = 1'-0"



**WALL CORNER REINFORCEMENT**  
1/2" = 1'-0"



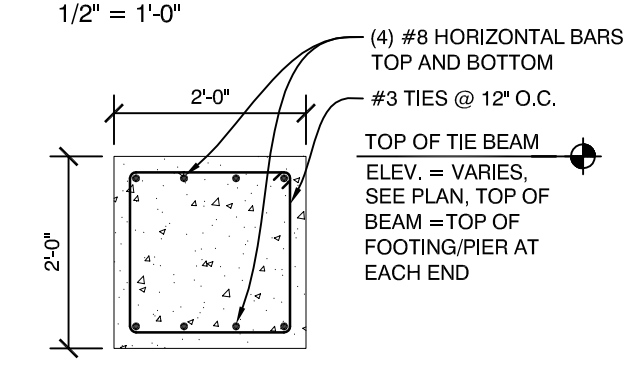
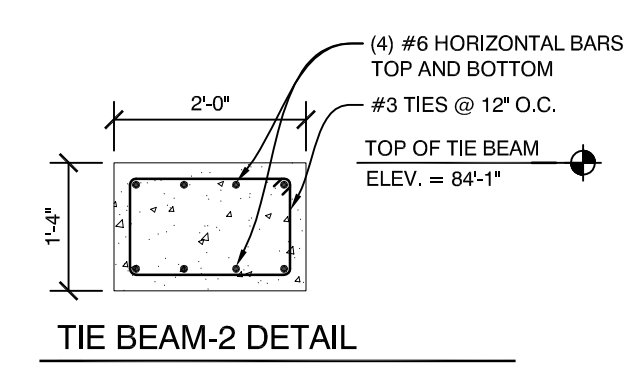
**WALL CONSTRUCTION JOINT**  
1/2" = 1'-0"



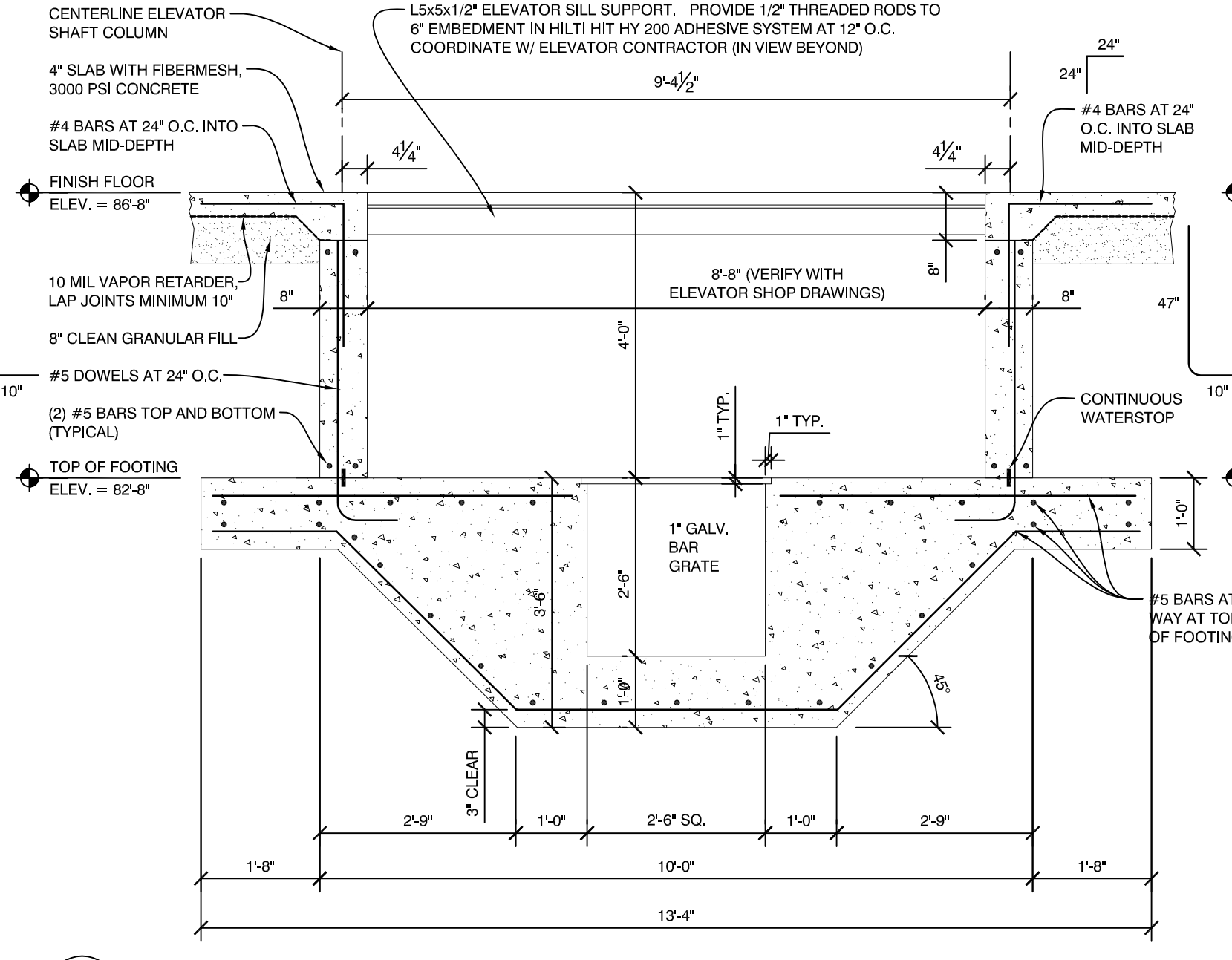
**WALL CONTRACTION JOINT**  
1/2" = 1'-0"

**REBAR LAP SPLICE TABLE**

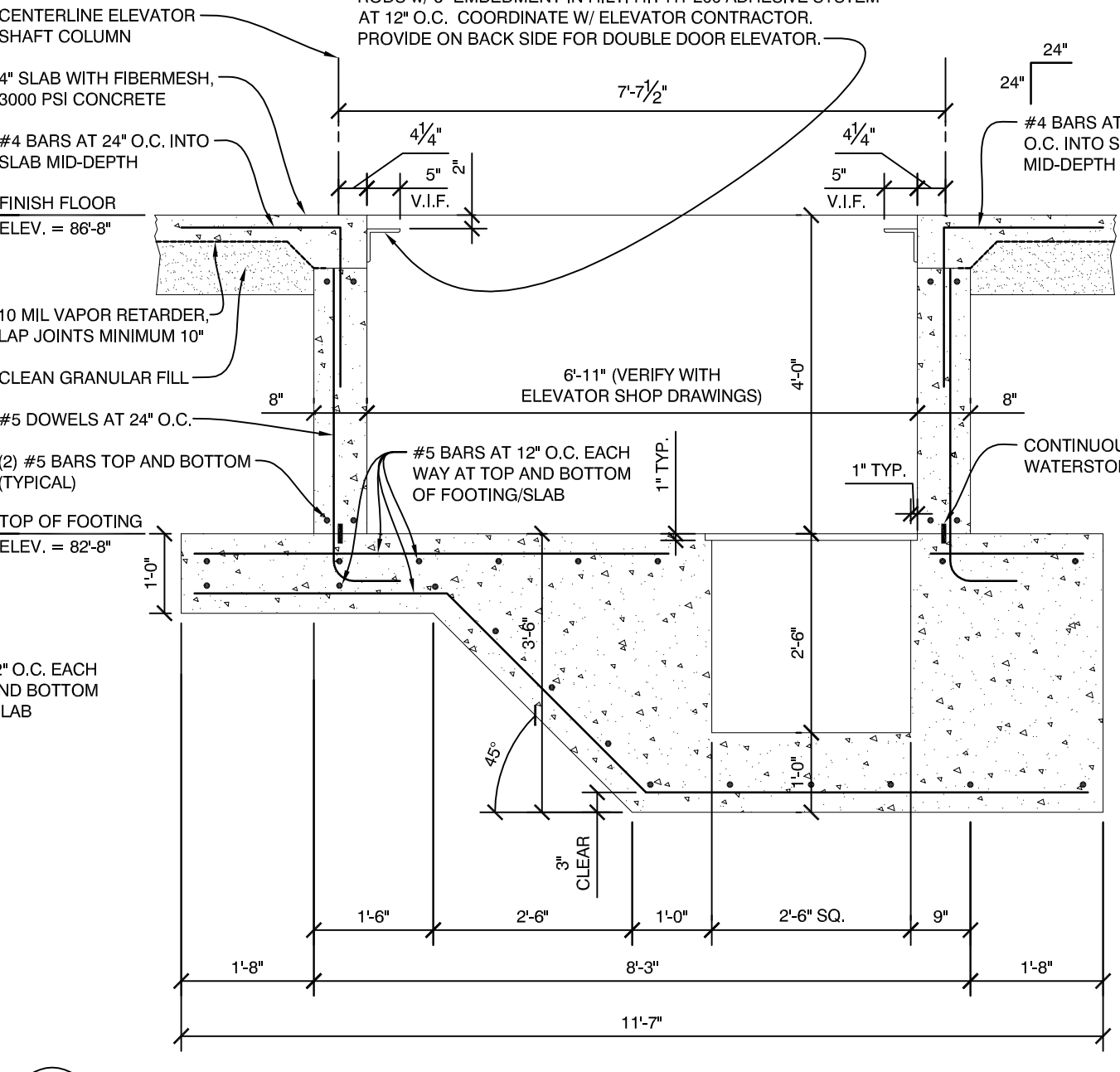
BAR SIZE	LAP LENGTH U.N.O.
3,500 PSI	
#3	24"
#4	30"
#5	36"
#6	48"
#7	60"
#8	72"



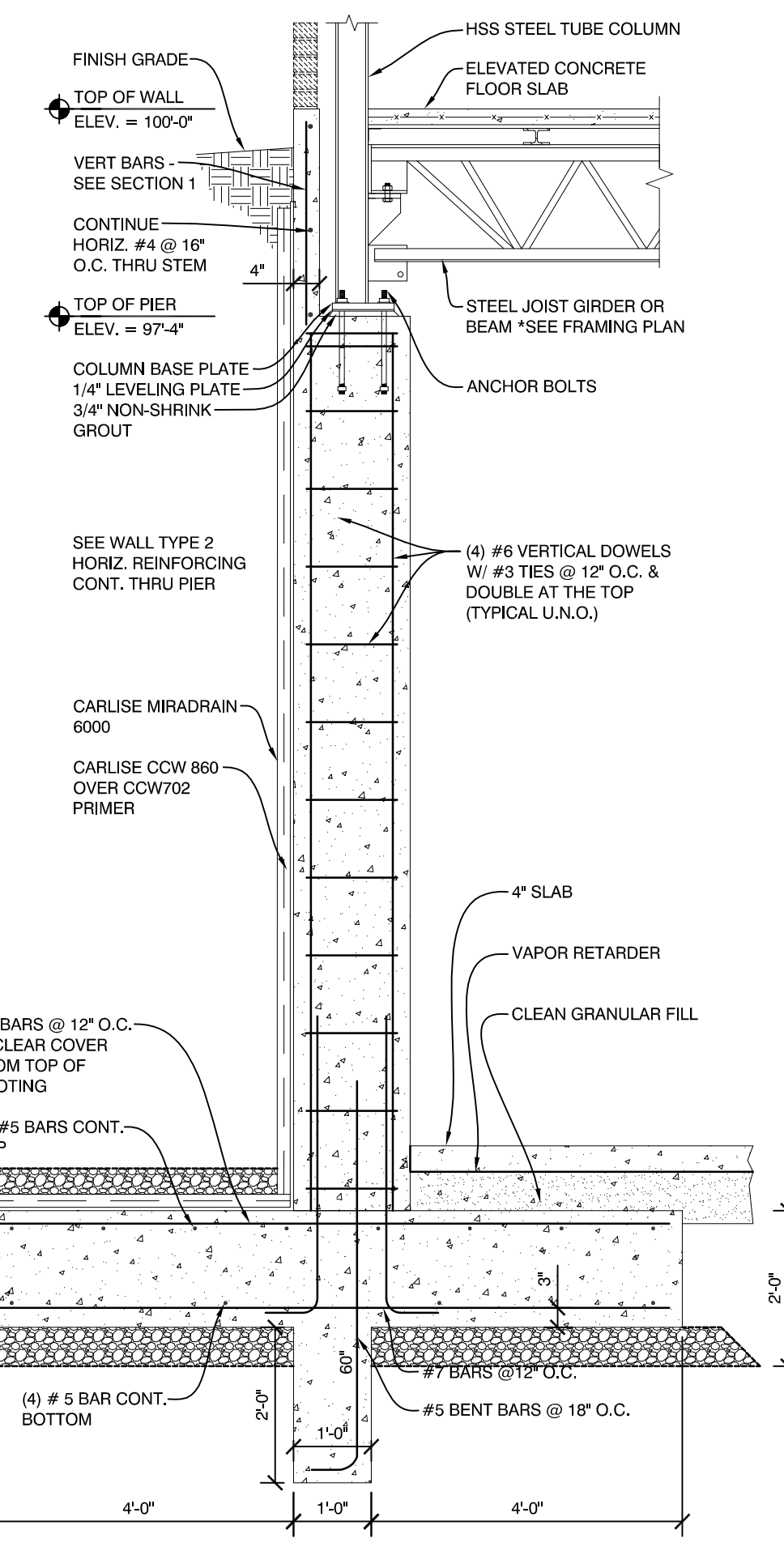
**TIE BEAM DETAILS**  
1/2" = 1'-0"



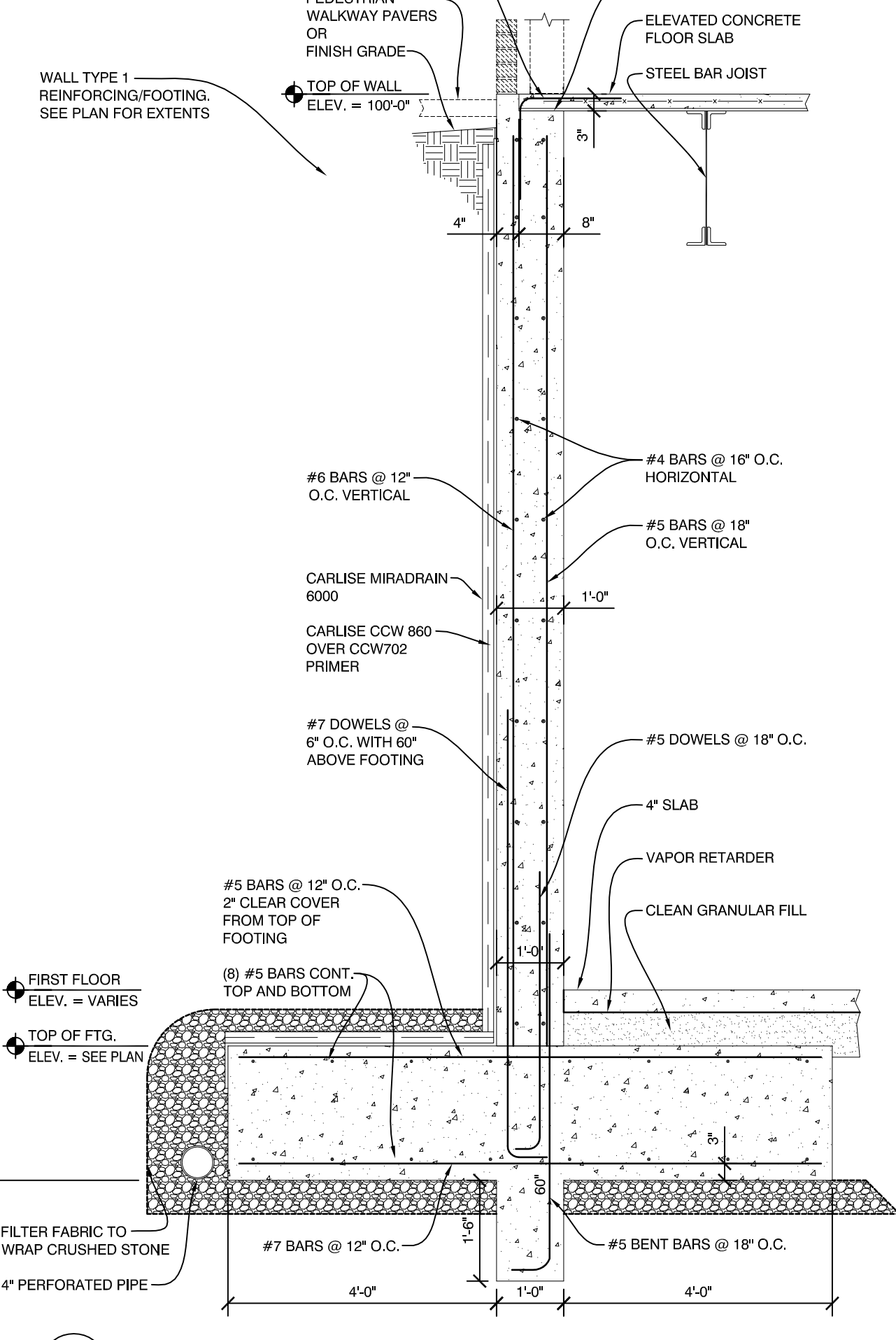
**6 ELEVATOR FOUNDATION WITH SUMP PIT**  
1/2" = 1'-0"



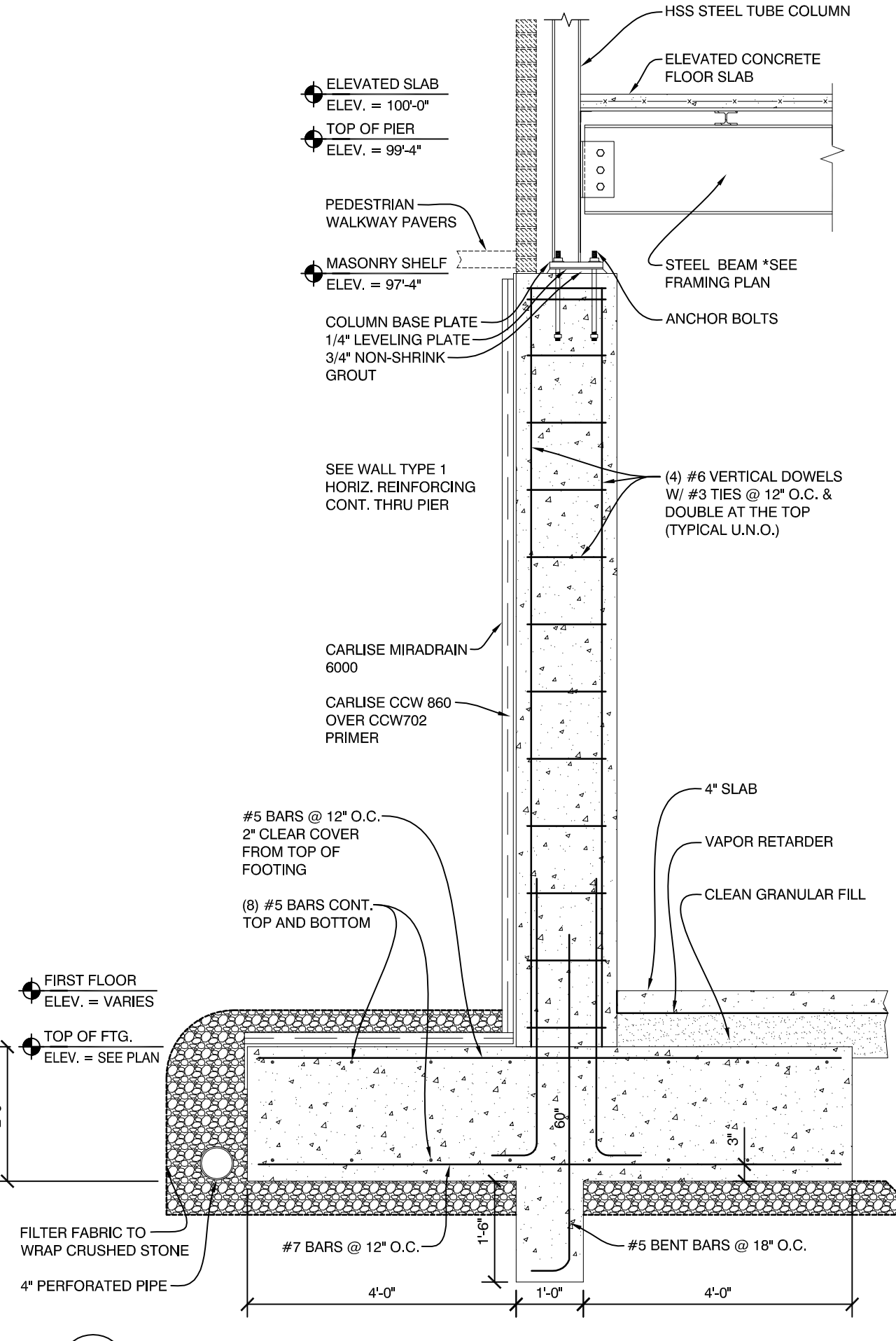
**5 ELEVATOR FOUNDATION WITH SUMP PIT**  
1/2" = 1'-0"



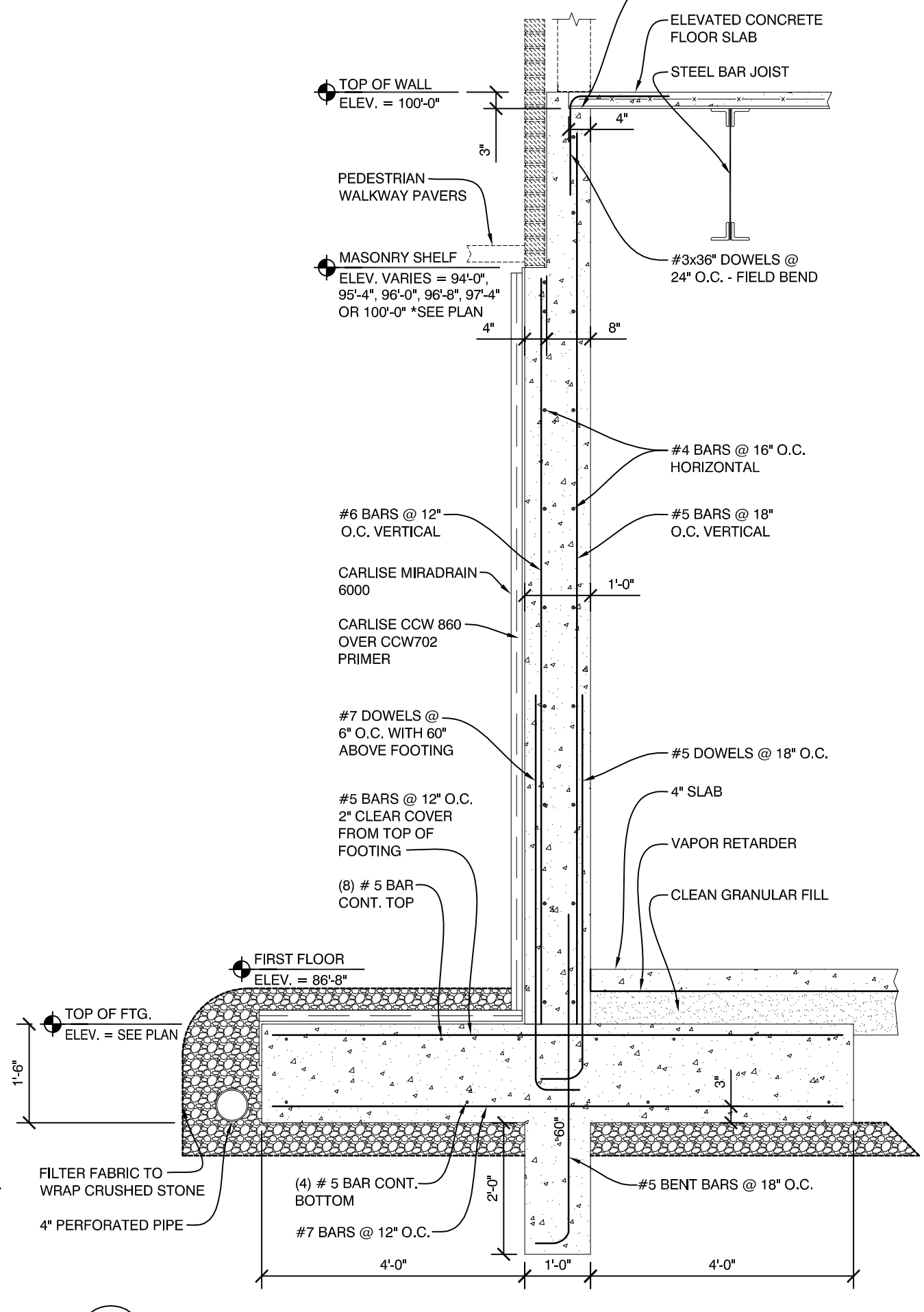
**4 FOUNDATION WALL & COLUMN PIER AT RETAINING WALL TYPE 2**  
1/2" = 1'-0"



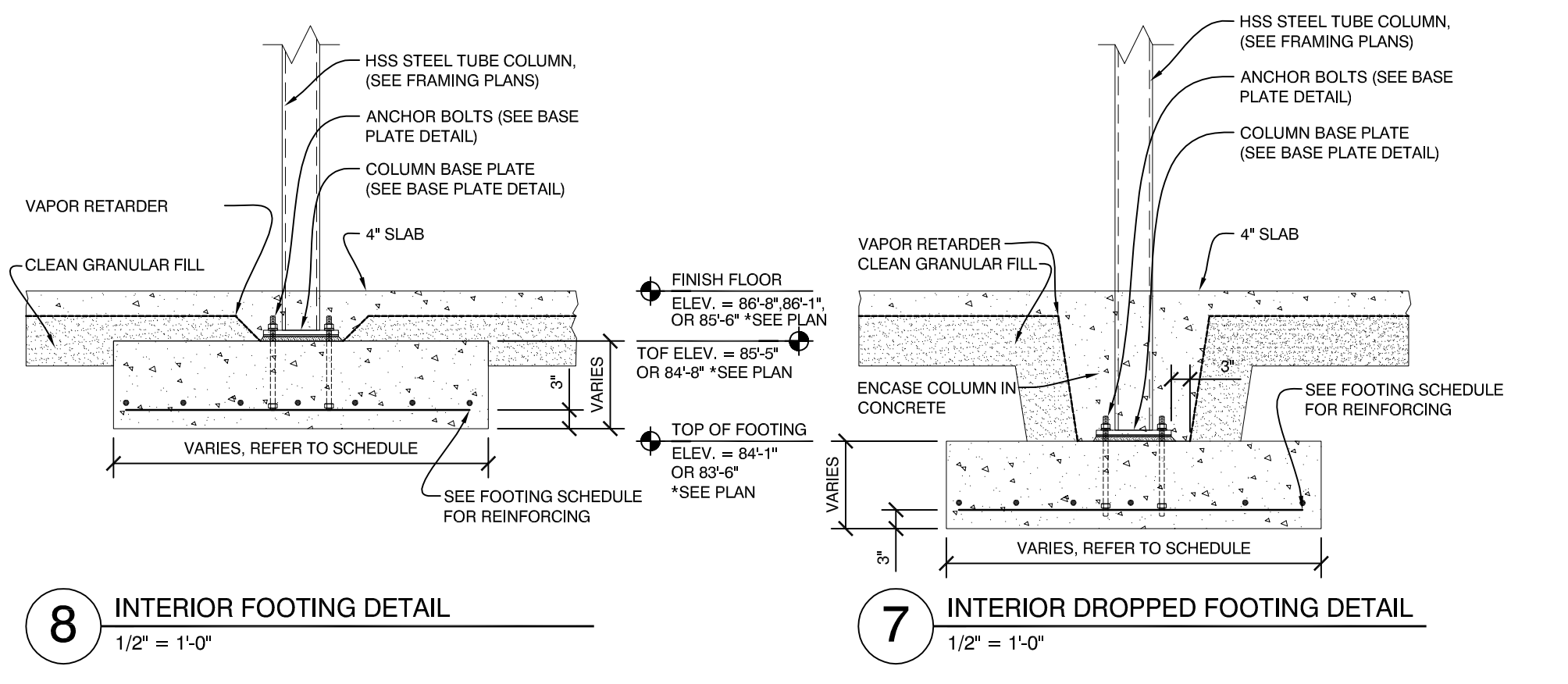
**3 FOUNDATION RETAINING WALL TYPE 1**  
1/2" = 1'-0"



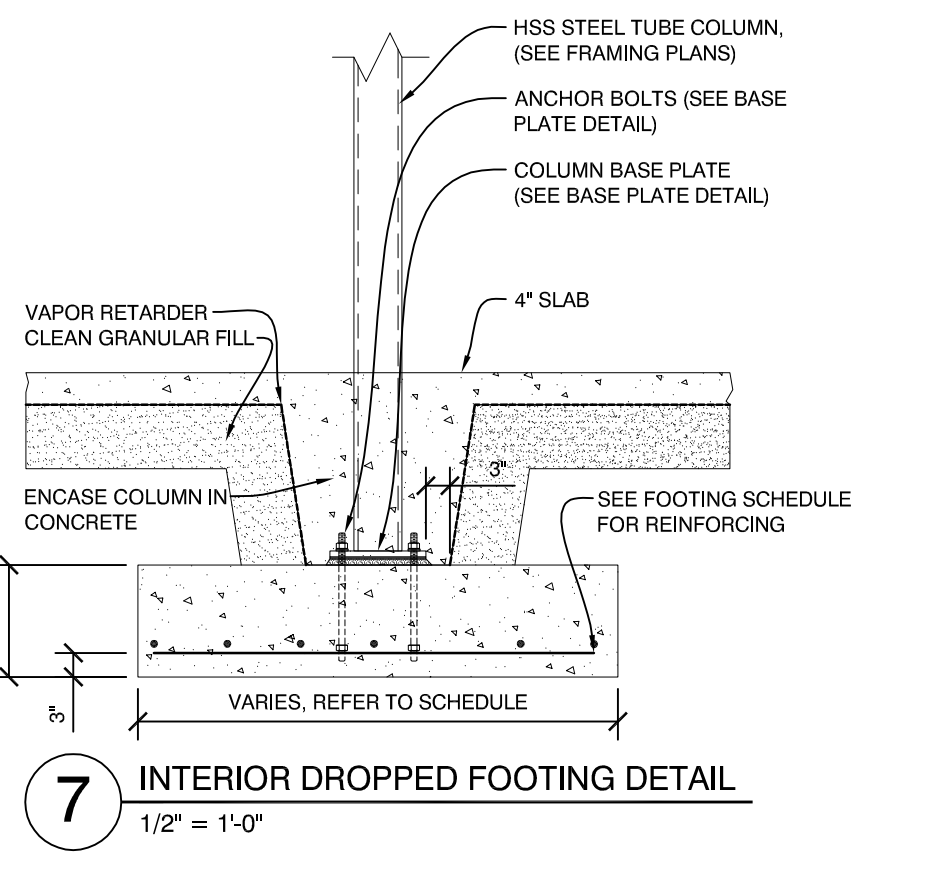
**2 FOUNDATION WALL & COLUMN PIER AT RETAINING WALL TYPE 1**  
1/2" = 1'-0"



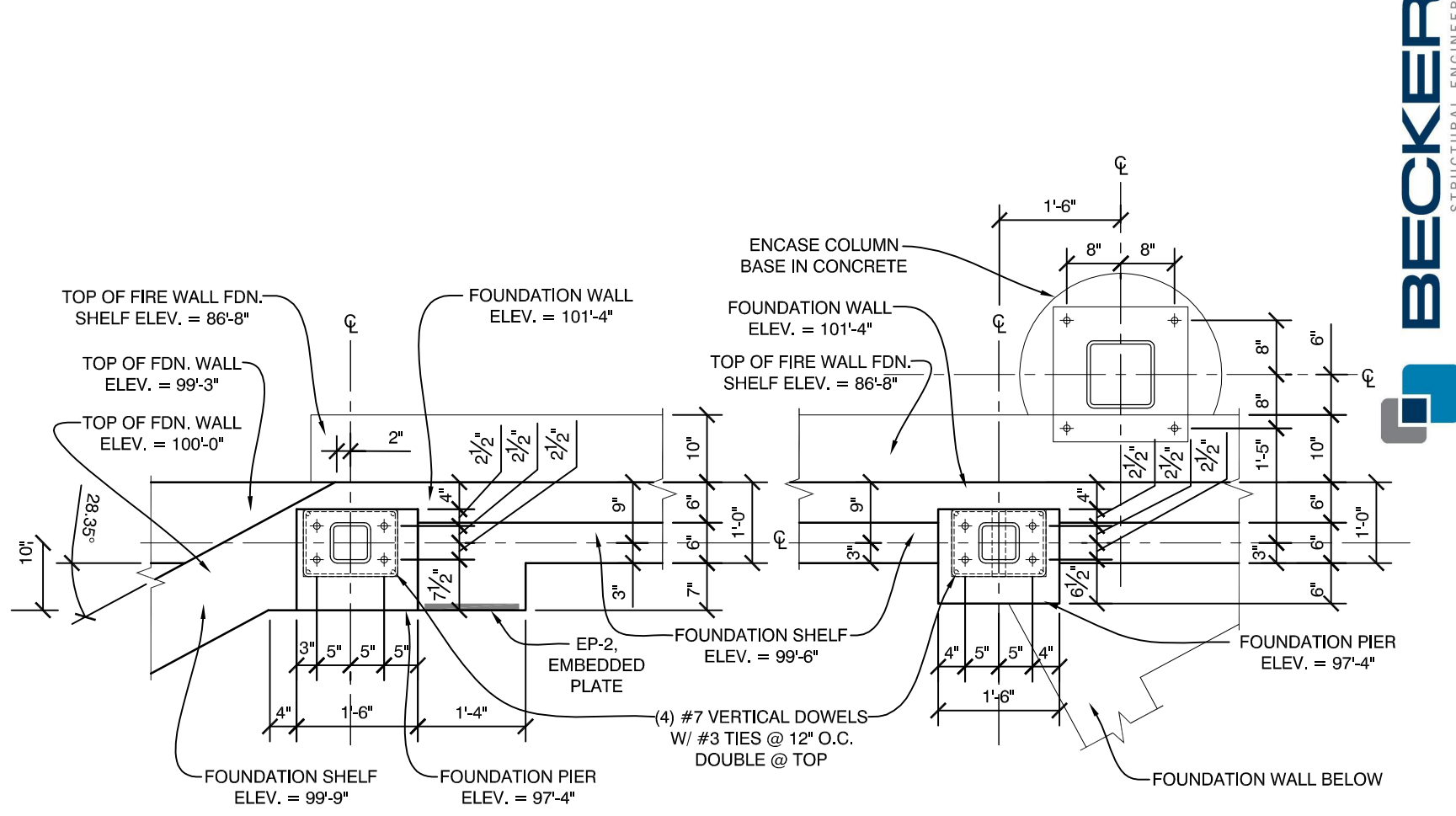
**1 FOUNDATION RETAINING WALL TYPE 2**  
1/2" = 1'-0"



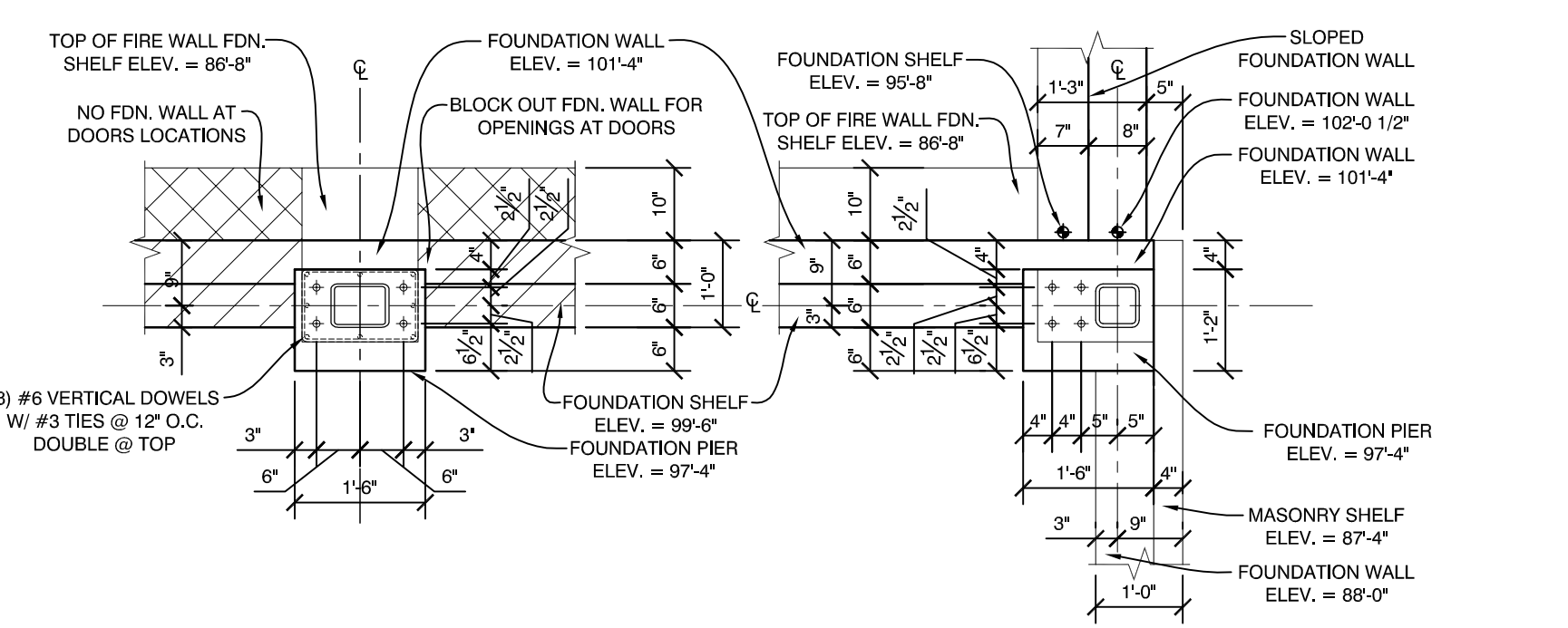
**8 INTERIOR FOOTING DETAIL**  
1/2" = 1'-0"



**7 INTERIOR DROPPED FOOTING DETAIL**  
1/2" = 1'-0"



**D X-LINE PIER-4 DETAIL**  
1/2" = 1'-0"



**B X-LINE PIER-2 DETAIL**  
1/2" = 1'-0"



**C X-LINE PIER-3 DETAIL**  
1/2" = 1'-0"



**A X-LINE PIER-1 DETAIL**  
1/2" = 1'-0"