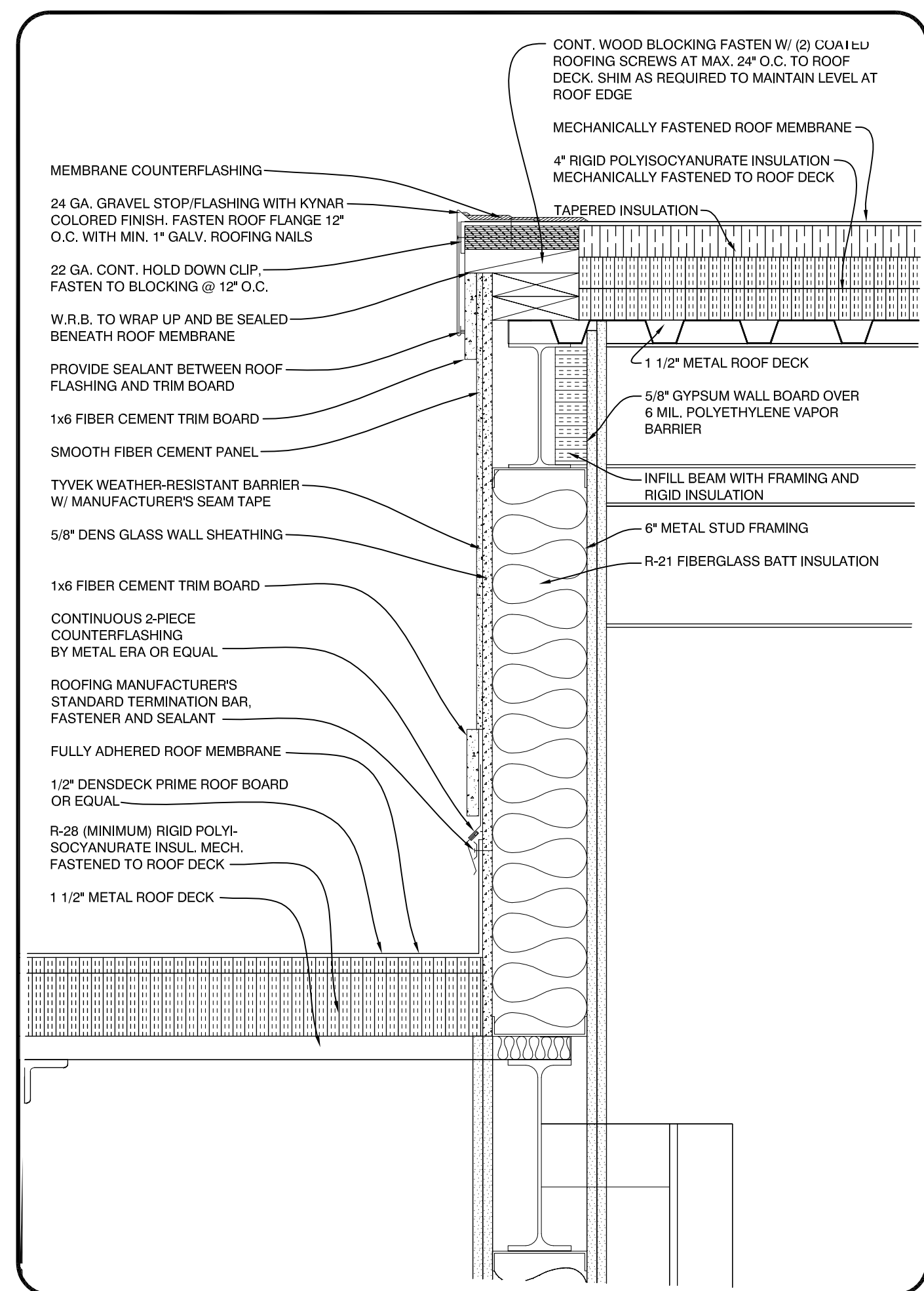
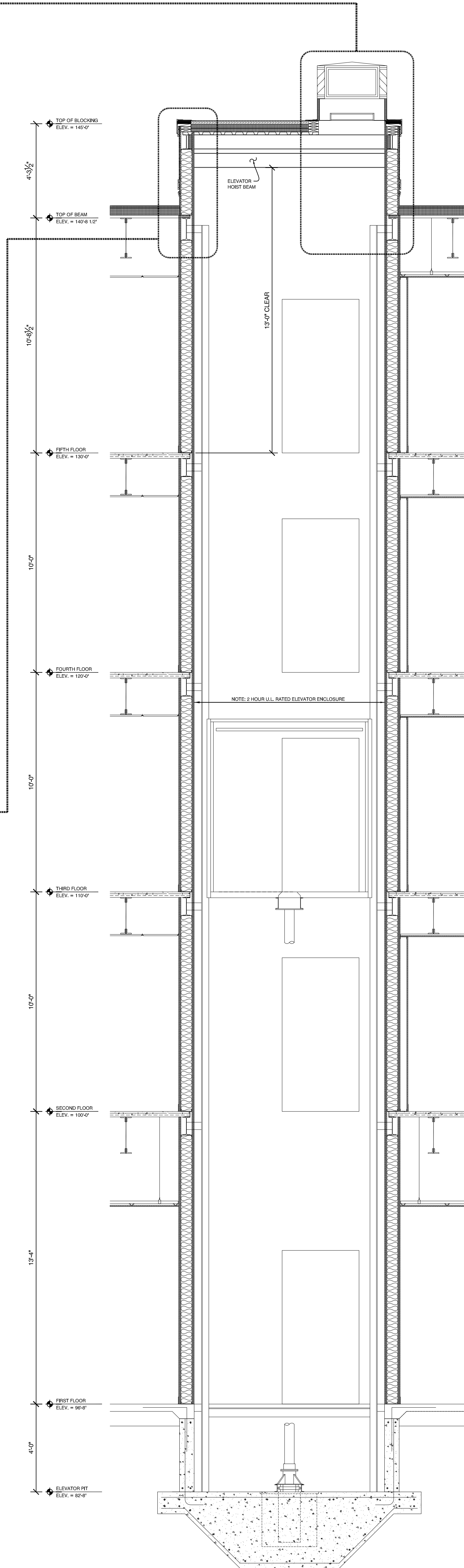


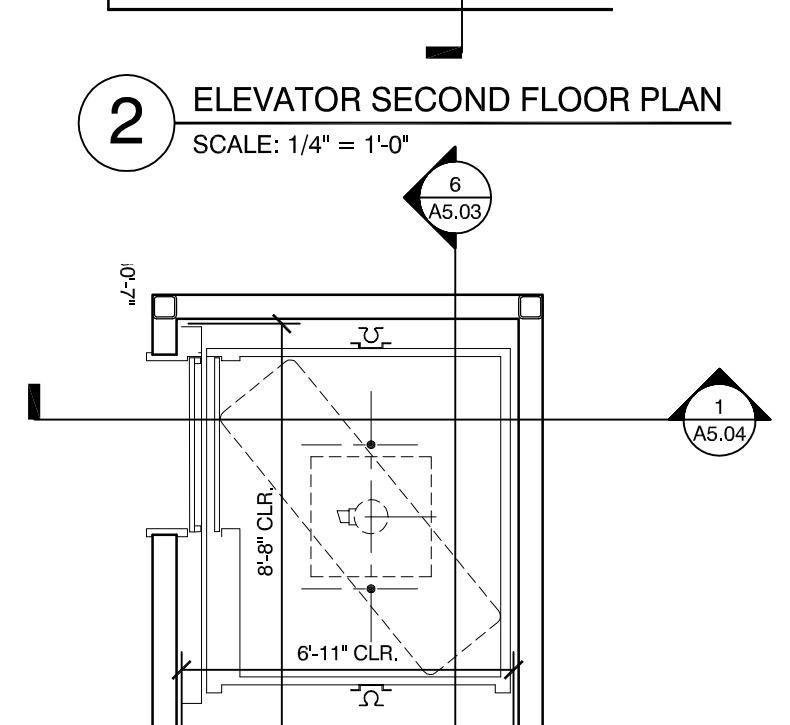
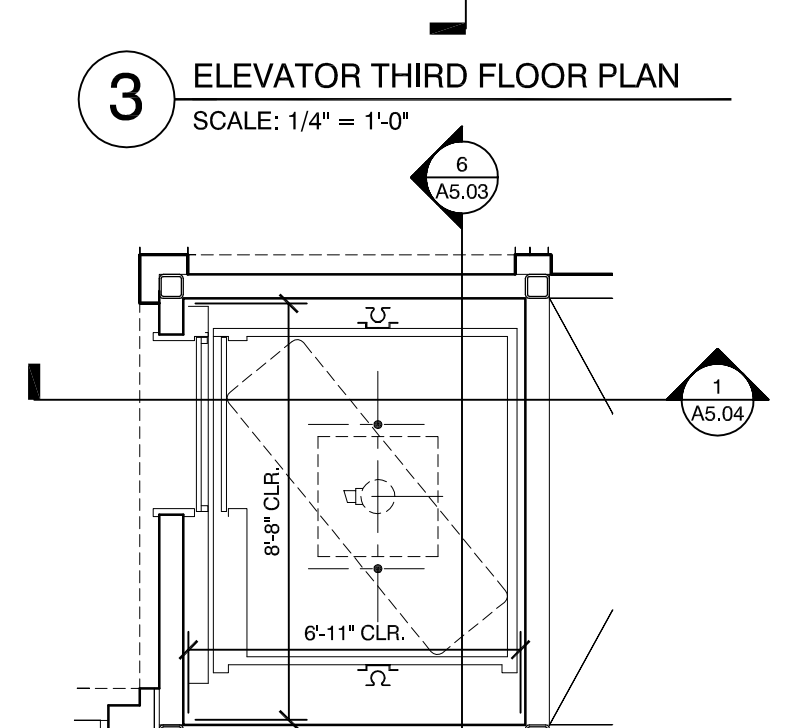
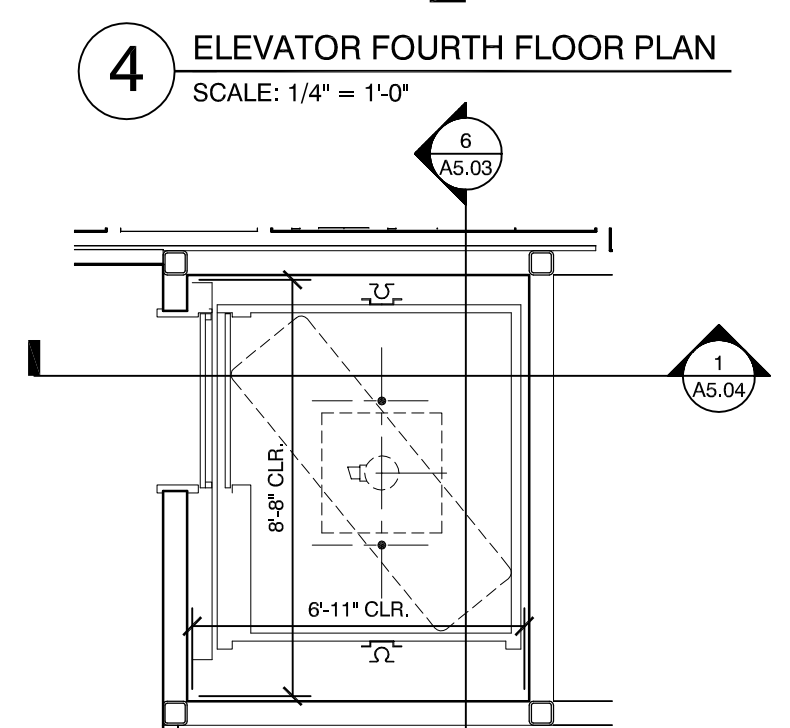
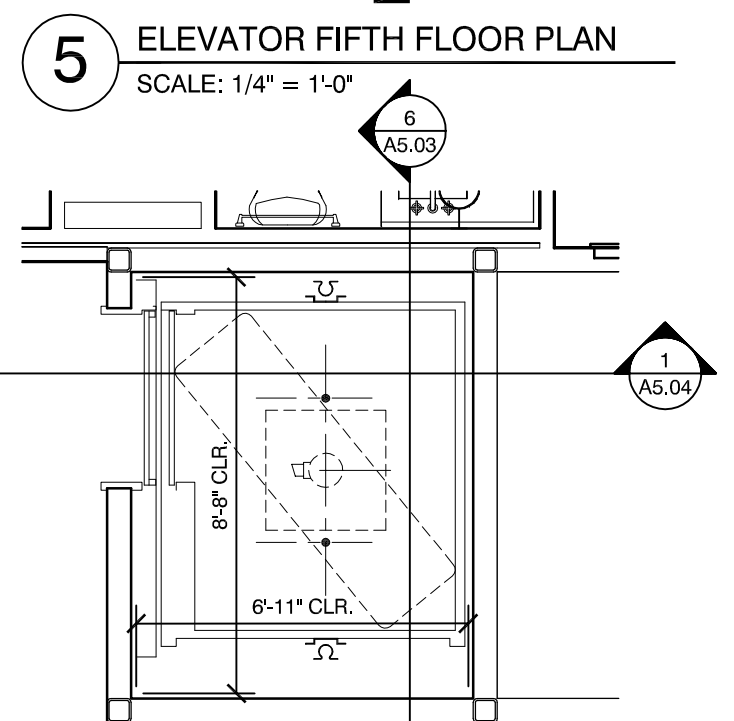
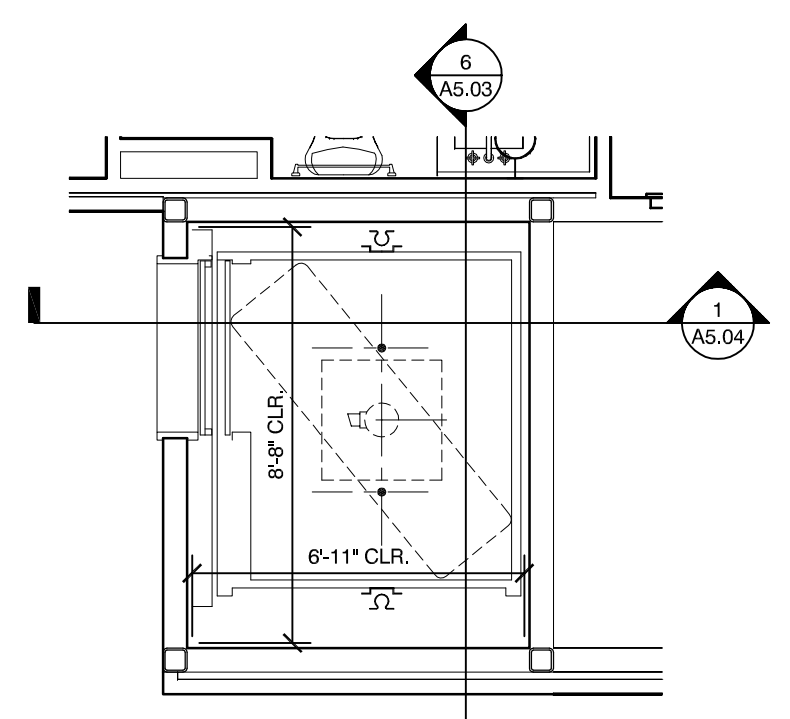
ELEVATOR VENT DETAIL
SCALE: 1 1/2" = 1'-0"



ROOF DETAIL
SCALE: 1 1/2" = 1'-0"



6 ELEVATOR SECTION
SCALE: 3/8" = 1'-0"



1 ELEVATOR FIRST FLOOR PLAN
SCALE: 1/4" = 1'-0"

sheet number:
A5.03

ELEV. PLANS
SECTIONS
& DETAILS

ISSUED:
05-09-16 FOR BUILDING PERMIT

REVISION:

project architect: KAK
drawn by: JJD

Mixed Use Development

York & High Street
Portland, Maine

LICENSED ARCHITECT
STATE OF MAINE
A. KELLEY
No. 4292

OPECHEE
CONSTRUCTION CORPORATION

11 CORPORATE DRIVE • BELMONT • NH 03220
PHONE (603) 527-9050 • WWW.OPECHEE.COM