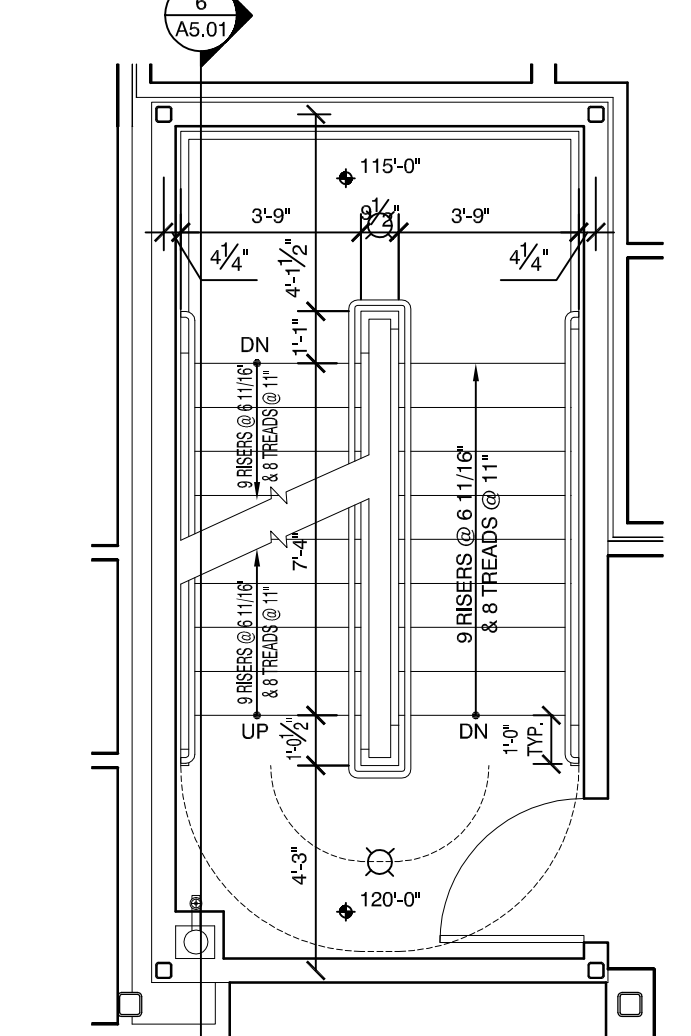
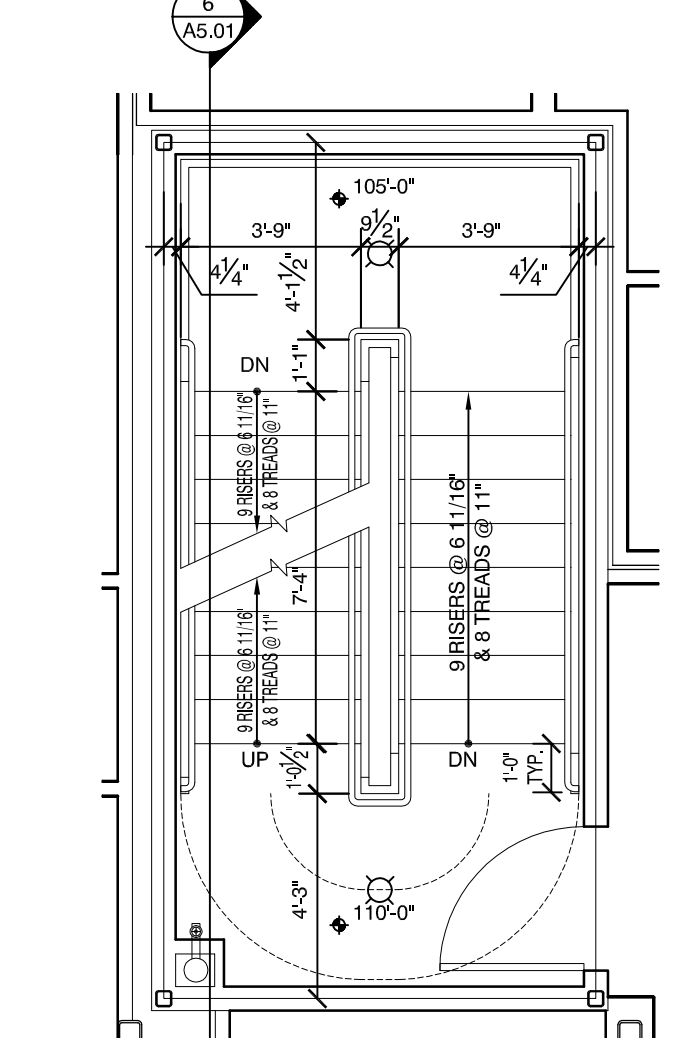


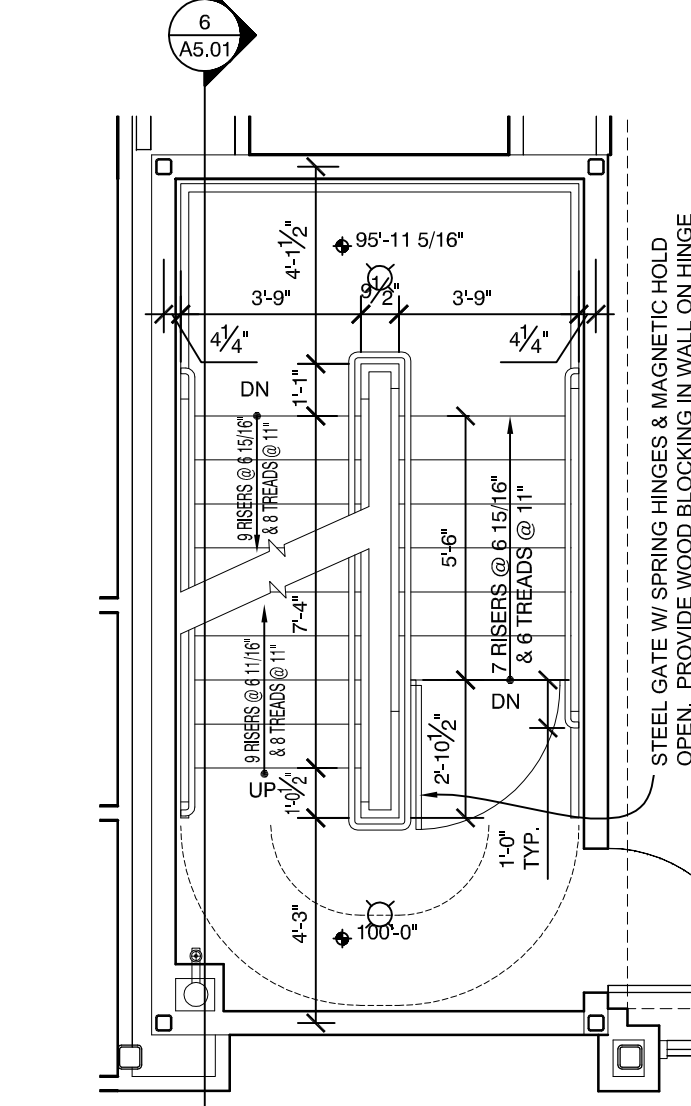
5 STAIR-1 FIFTH FLOOR PLAN
SCALE: 1/4" = 1'-0"



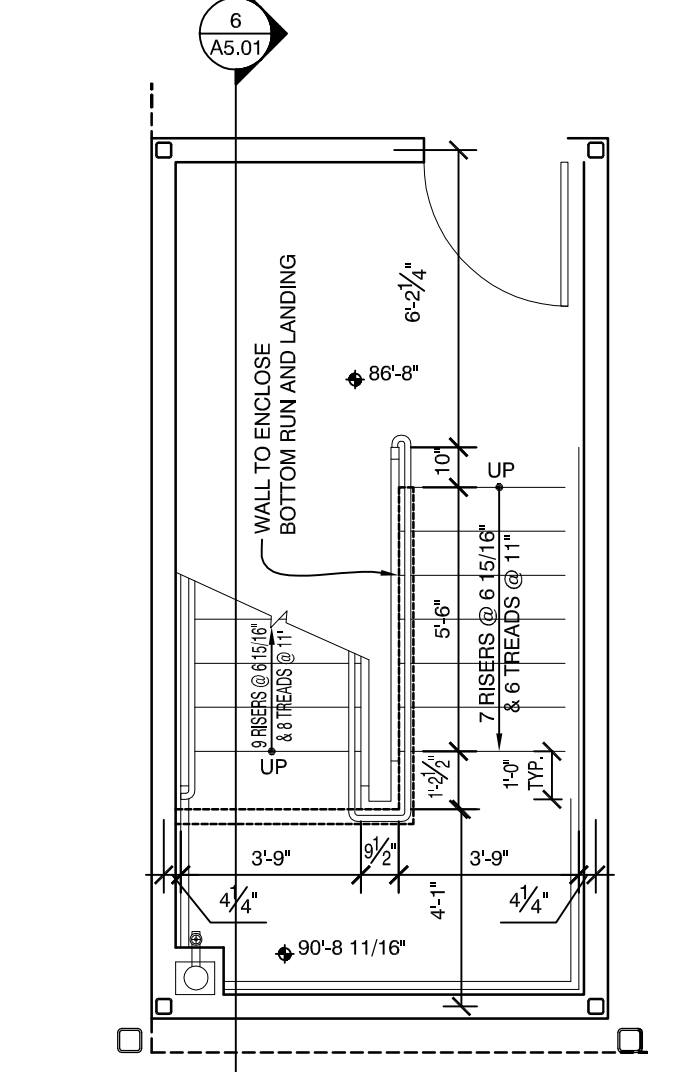
4 STAIR-1 FOURTH FLOOR PLAN
SCALE: 1/4" = 1'-0"



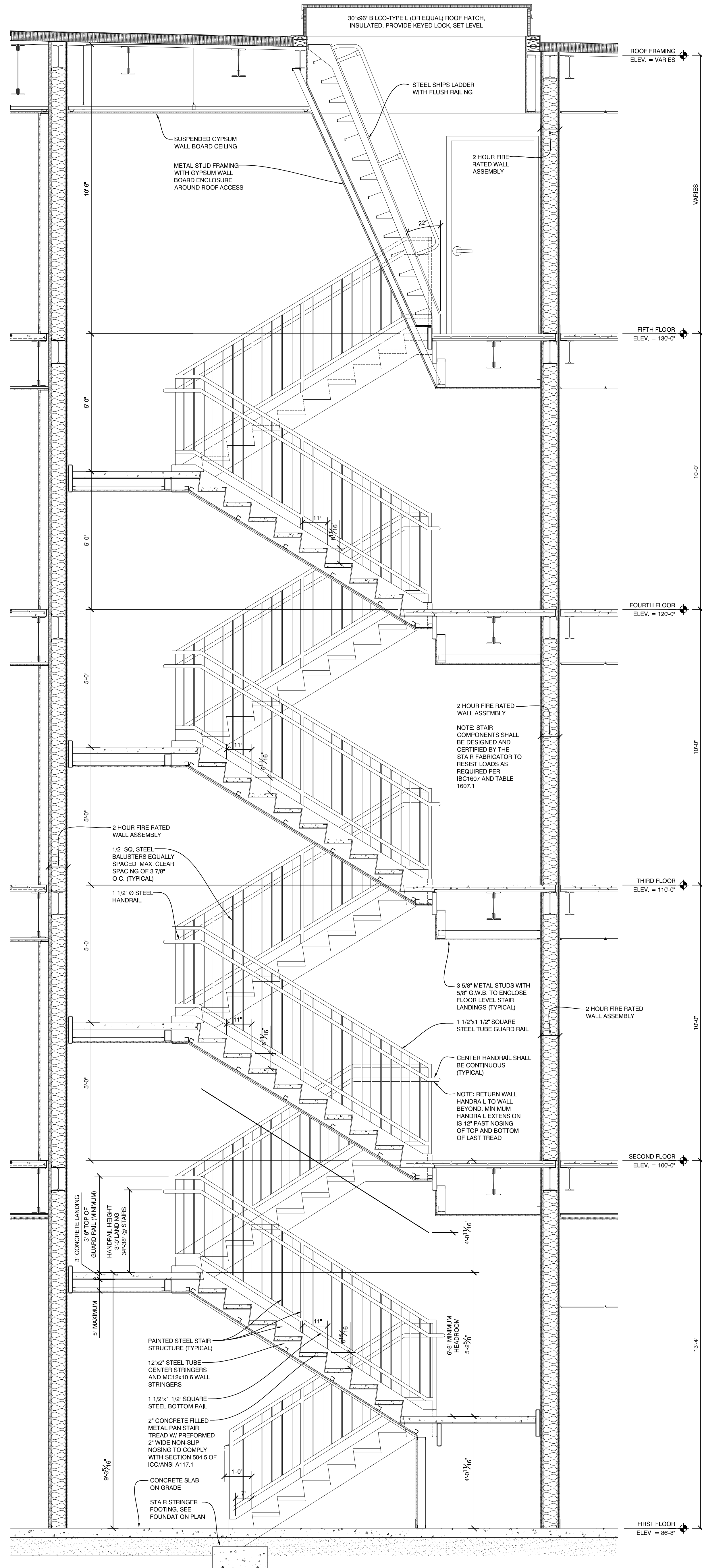
3 STAIR-1 THIRD FLOOR PLAN
SCALE: 1/4" = 1'-0"



2 STAIR-1 SECOND FLOOR PLAN
SCALE: 1/4" = 1'-0"



1 STAIR-1 FIRST FLOOR PLAN
SCALE: 1/4" = 1'-0"



6 STAIR-1 SECTION
SCALE: 1/2" = 1'-0"

sheet number:
A5.01

ISSUED:
02-19-16 FOR STAIR DETAILER
03-11-16 FOR STAIR DETAILER
05-09-16 FOR BUILDING PERMIT

REVISION:
.
.
.
.

Mixed Use Development
York & High Street
Portland, Maine

