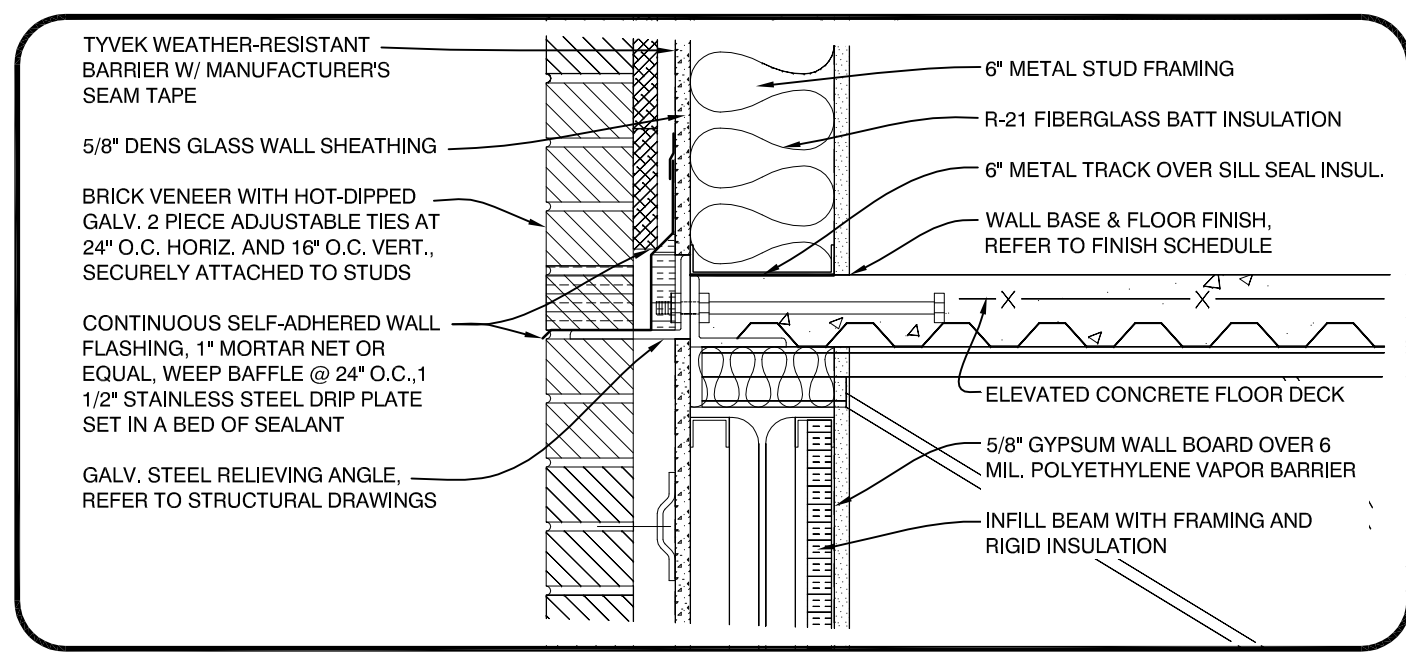
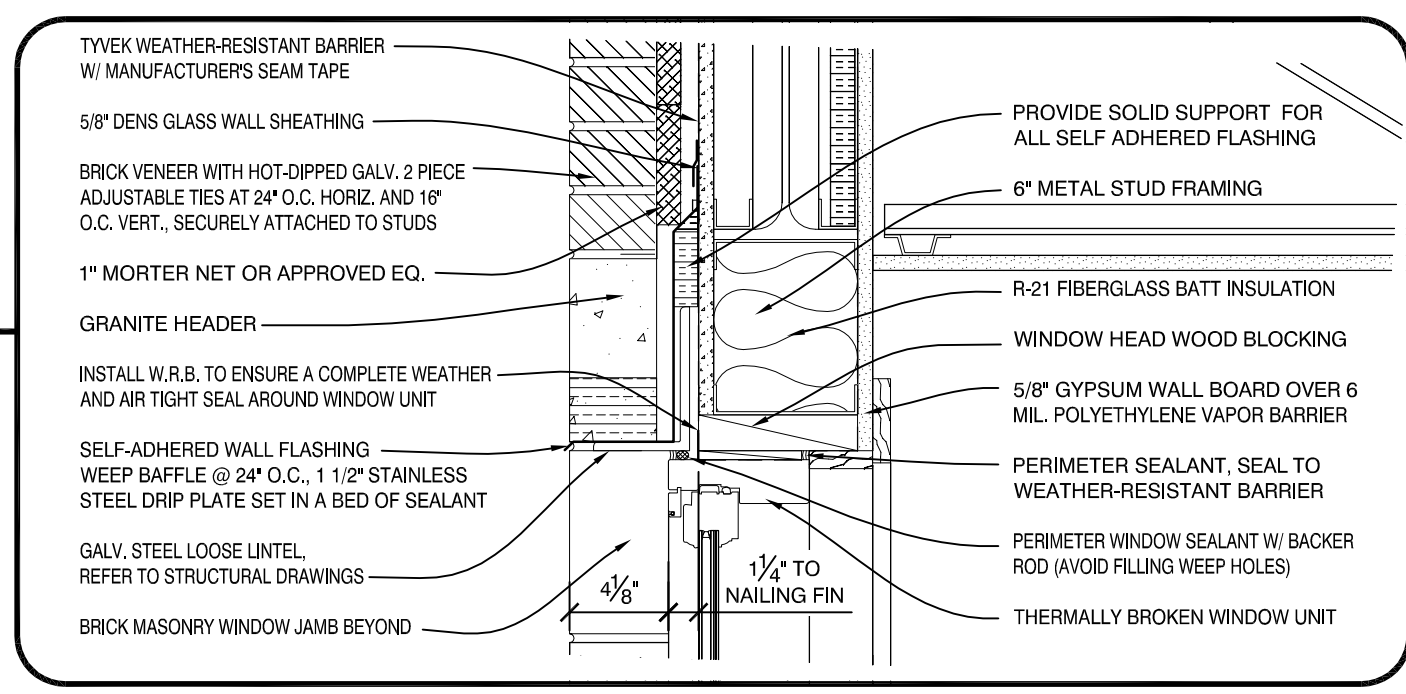


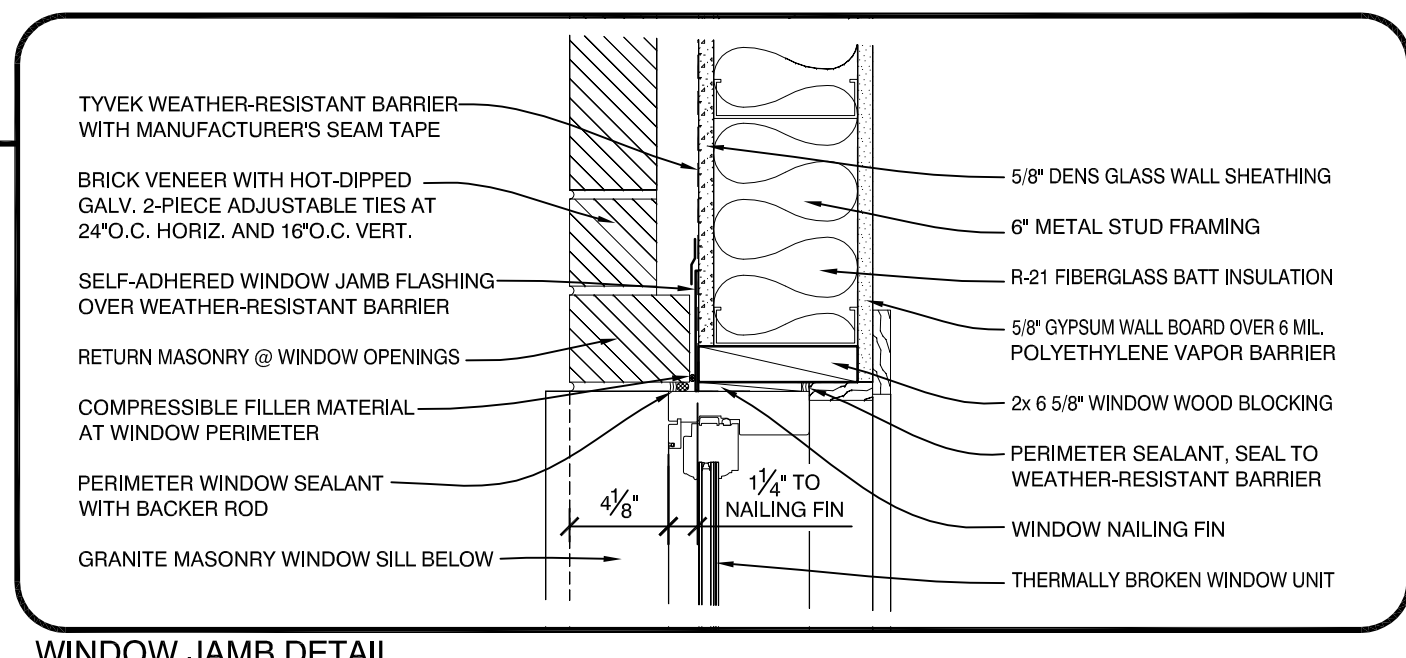
**ROOF CORNICE DETAIL**  
SCALE: 1 1/2" = 1'-0"



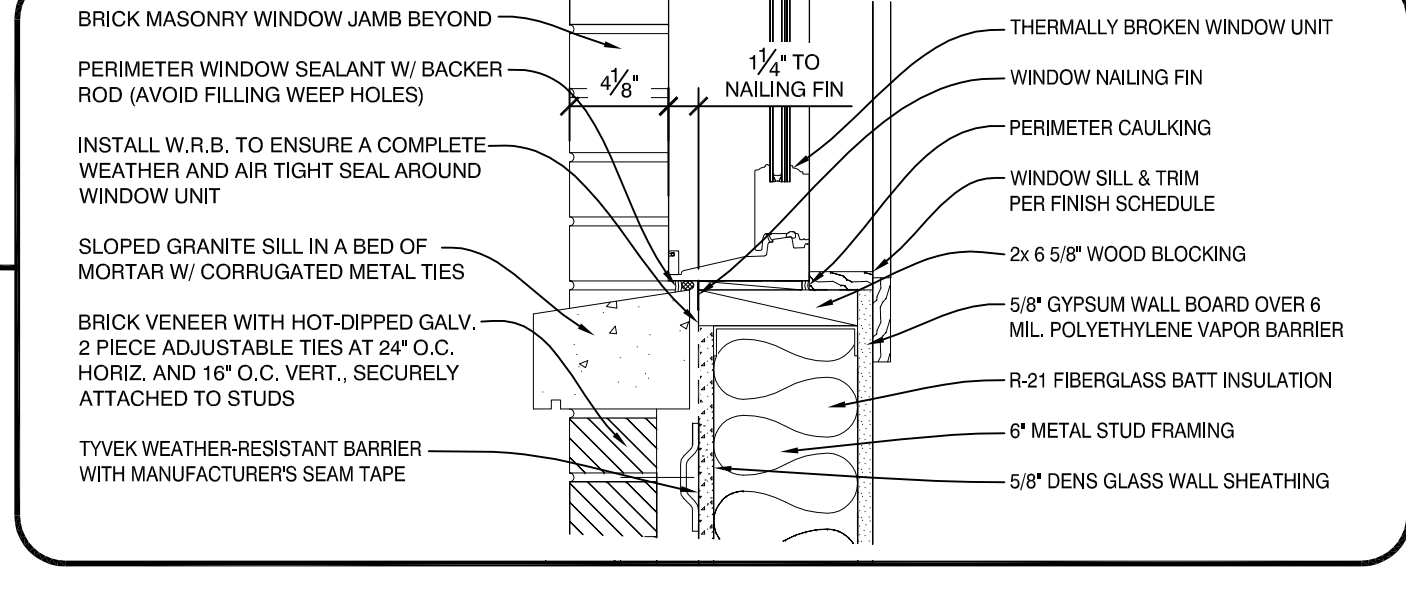
**RELIEVING ANGLE DETAIL**  
SCALE: 1 1/2" = 1'-0"



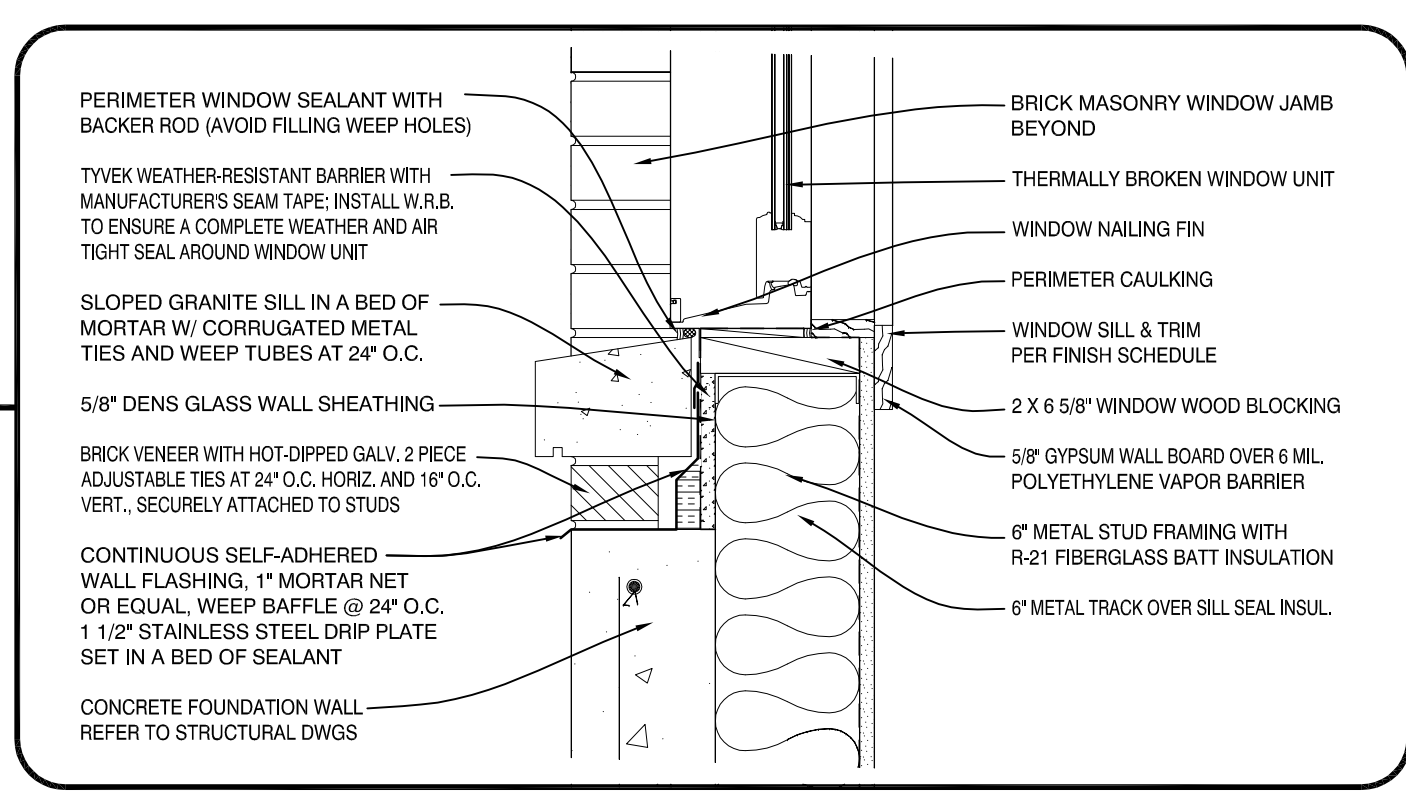
**WINDOW HEAD DETAIL**  
SCALE: 1 1/2" = 1'-0"



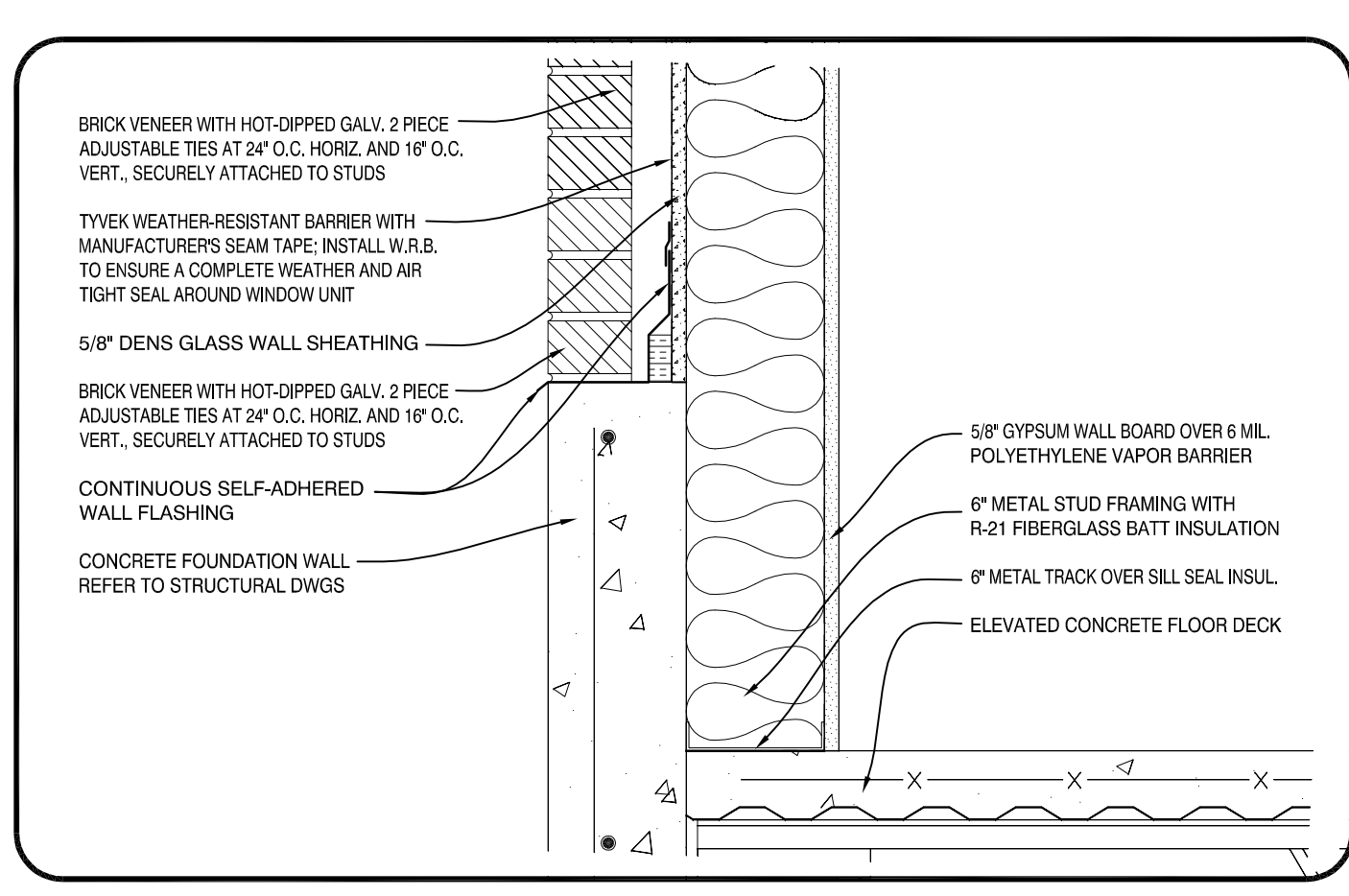
**WINDOW JAMB DETAIL**  
SCALE: 1 1/2" = 1'-0"



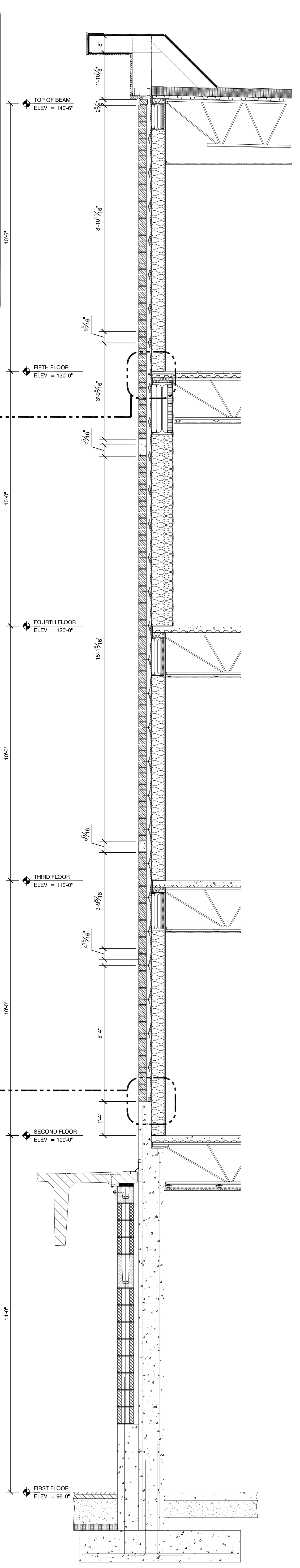
**WINDOW SILL DETAIL**  
SCALE: 1 1/2" = 1'-0"



**WINDOW HEAD DETAIL (OPAQUE)**  
SCALE: 1 1/2" = 1'-0"



**WINDOW BASE DETAIL**  
SCALE: 1 1/2" = 1'-0"



**2 WALL SECTION**  
SCALE: 1/2" = 1'-0"

**1 WALL SECTION**  
SCALE: 1/2" = 1'-0"

<p>sheet number: <b>A4.16</b></p>	<p><b>WALL SECTIONS</b></p>	<p>project architect: KAK</p>	<p>ISSUED: 05-09-16 FOR BUILDING PERMIT</p>	<p>REVISION:</p>	<p><b>Mixed Use Development</b></p> <p>York &amp; High Street Portland, Maine</p>		<p>11 CORPORATE DRIVE • BELMONT • NH 03220 PHONE (603) 527-9090 • WWW.OPECHEE.COM</p>
		<p>drawn by: JJD</p>	<p>REVISION:</p>				