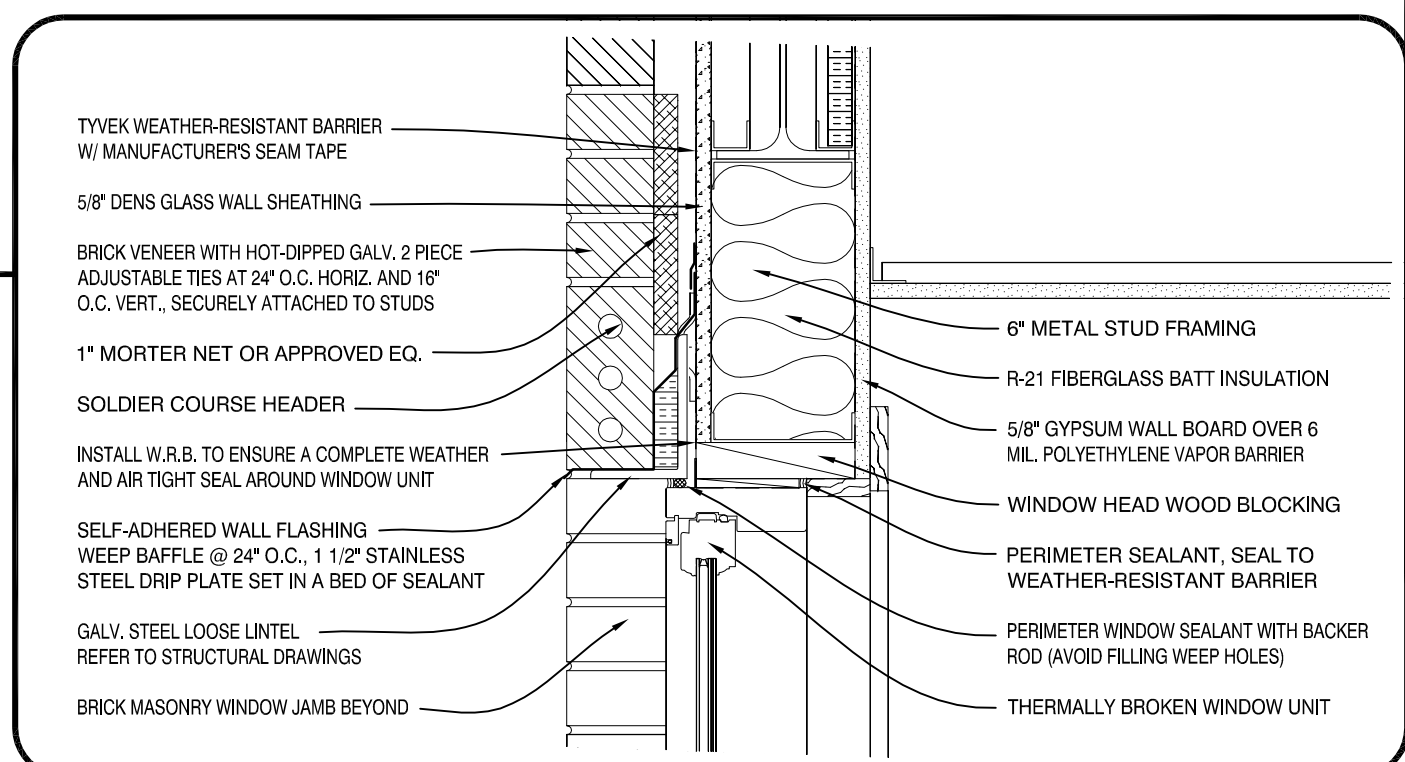
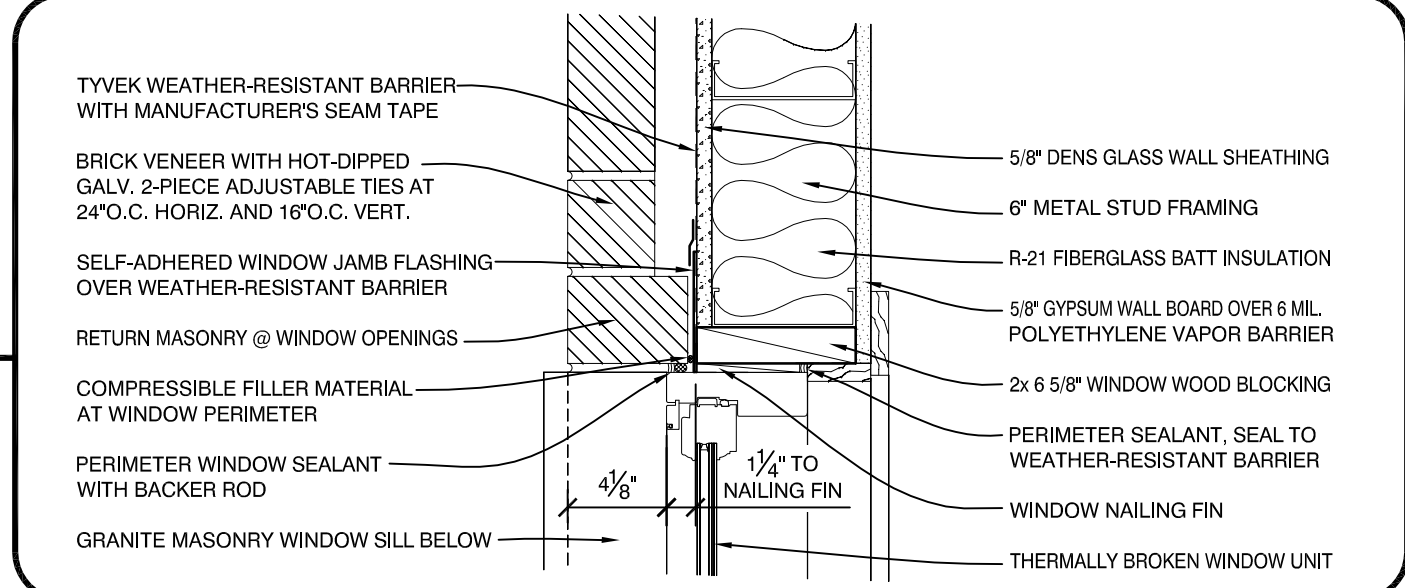


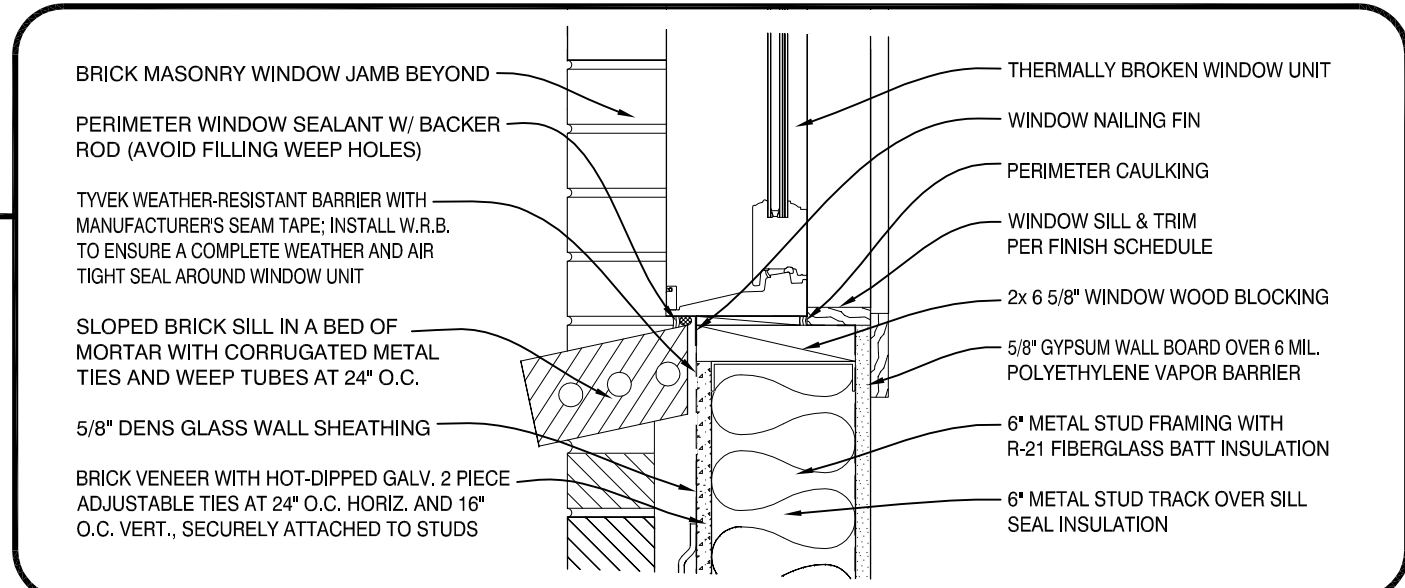
ROOF CORNICE DETAIL
SCALE: 1 1/2" = 1'-0"



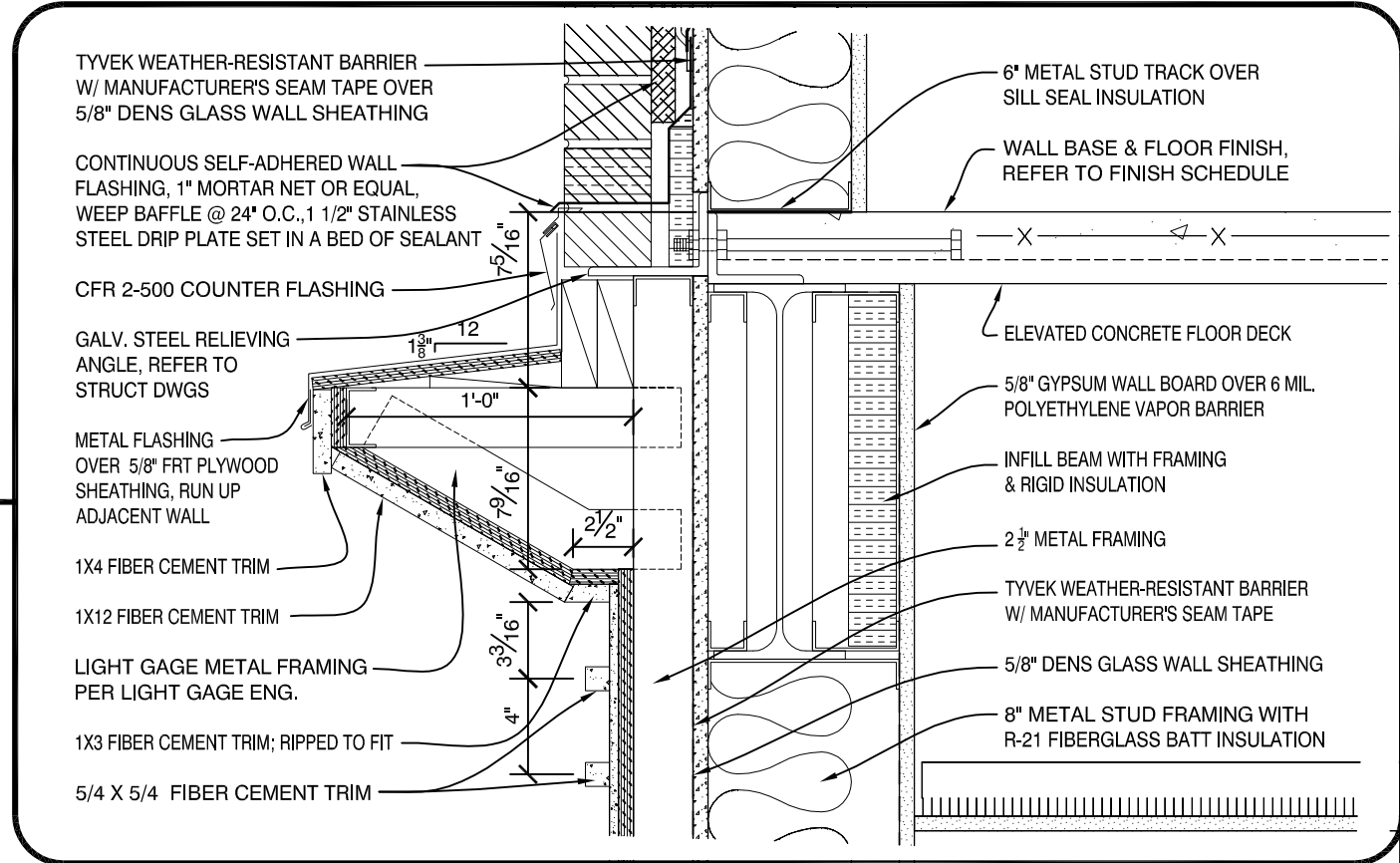
WINDOW HEAD DETAIL
SCALE: 1 1/2" = 1'-0"



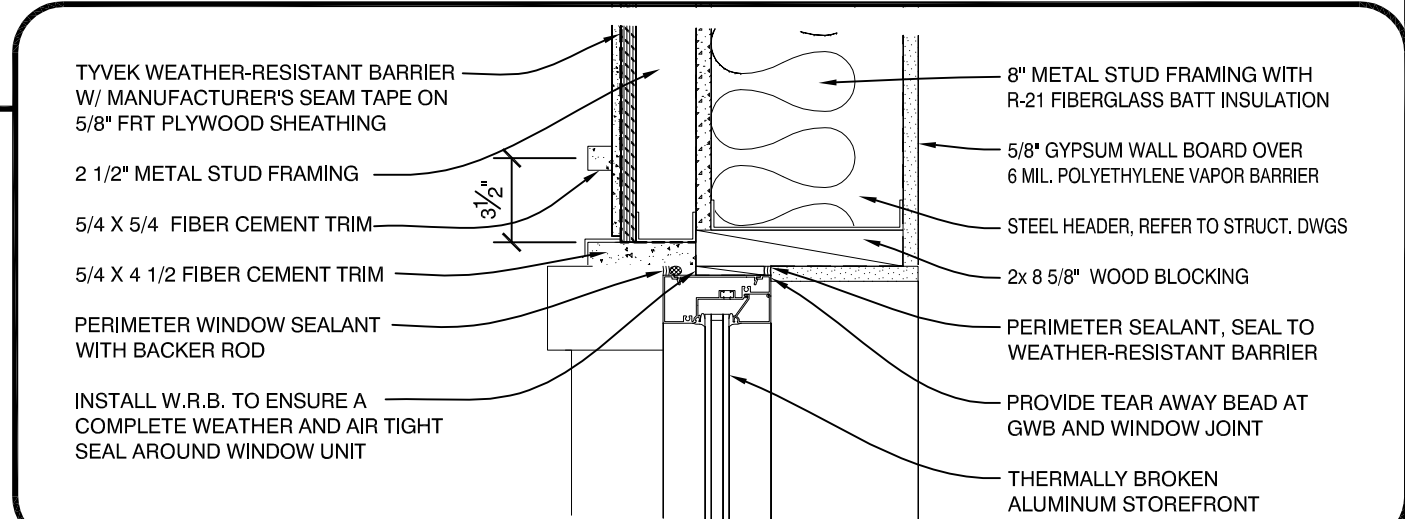
WINDOW JAMB DETAIL
SCALE: 1 1/2" = 1'-0"



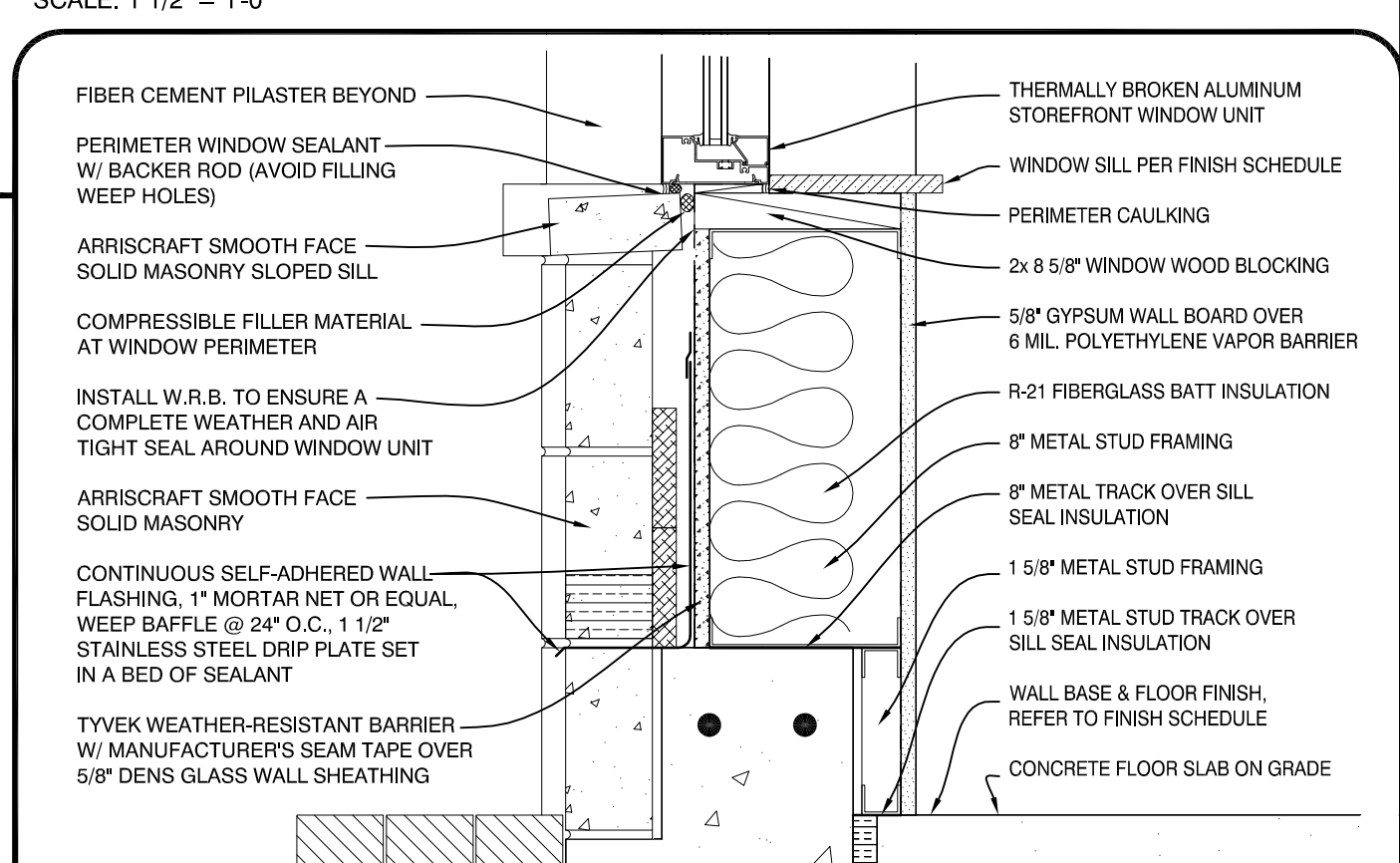
WINDOW HEAD DETAIL
SCALE: 1 1/2" = 1'-0"



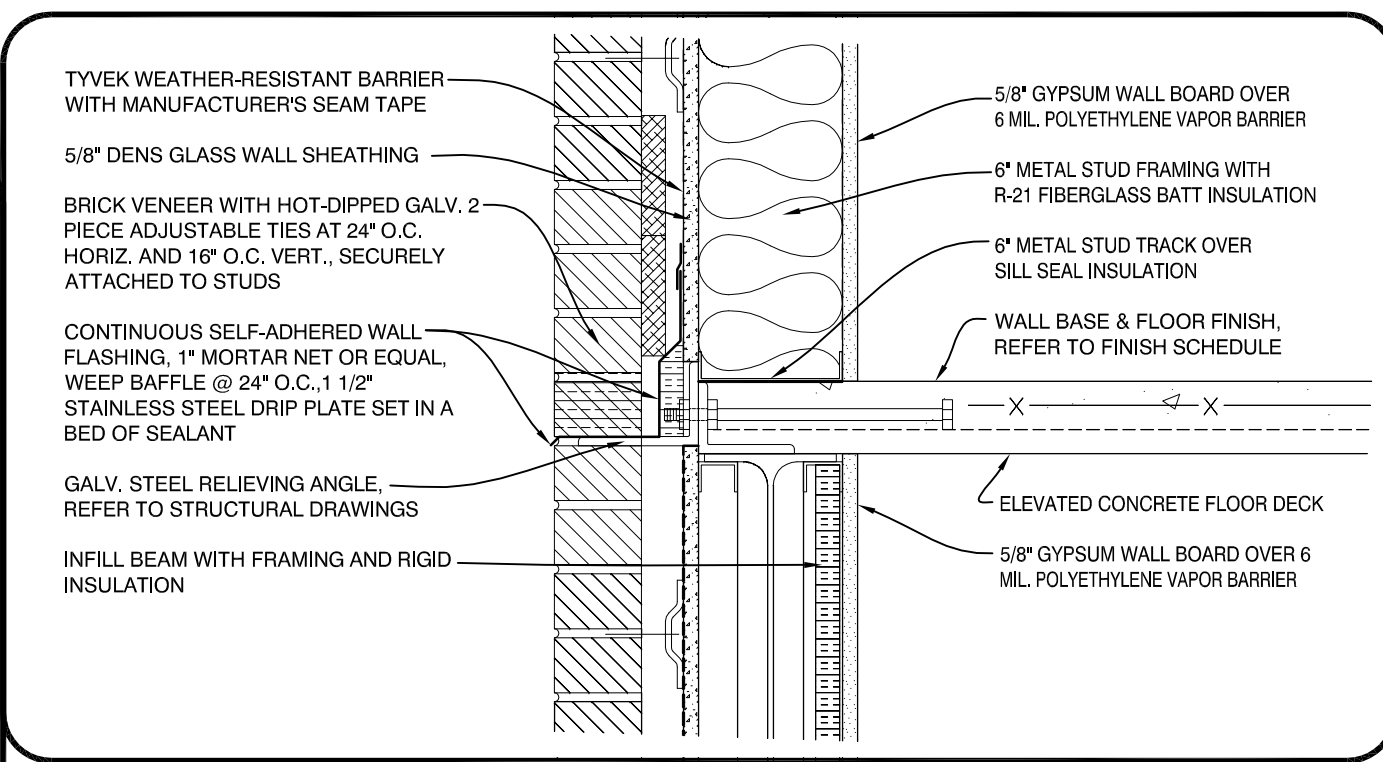
WINDOW HEAD DETAIL
SCALE: 1 1/2" = 1'-0"



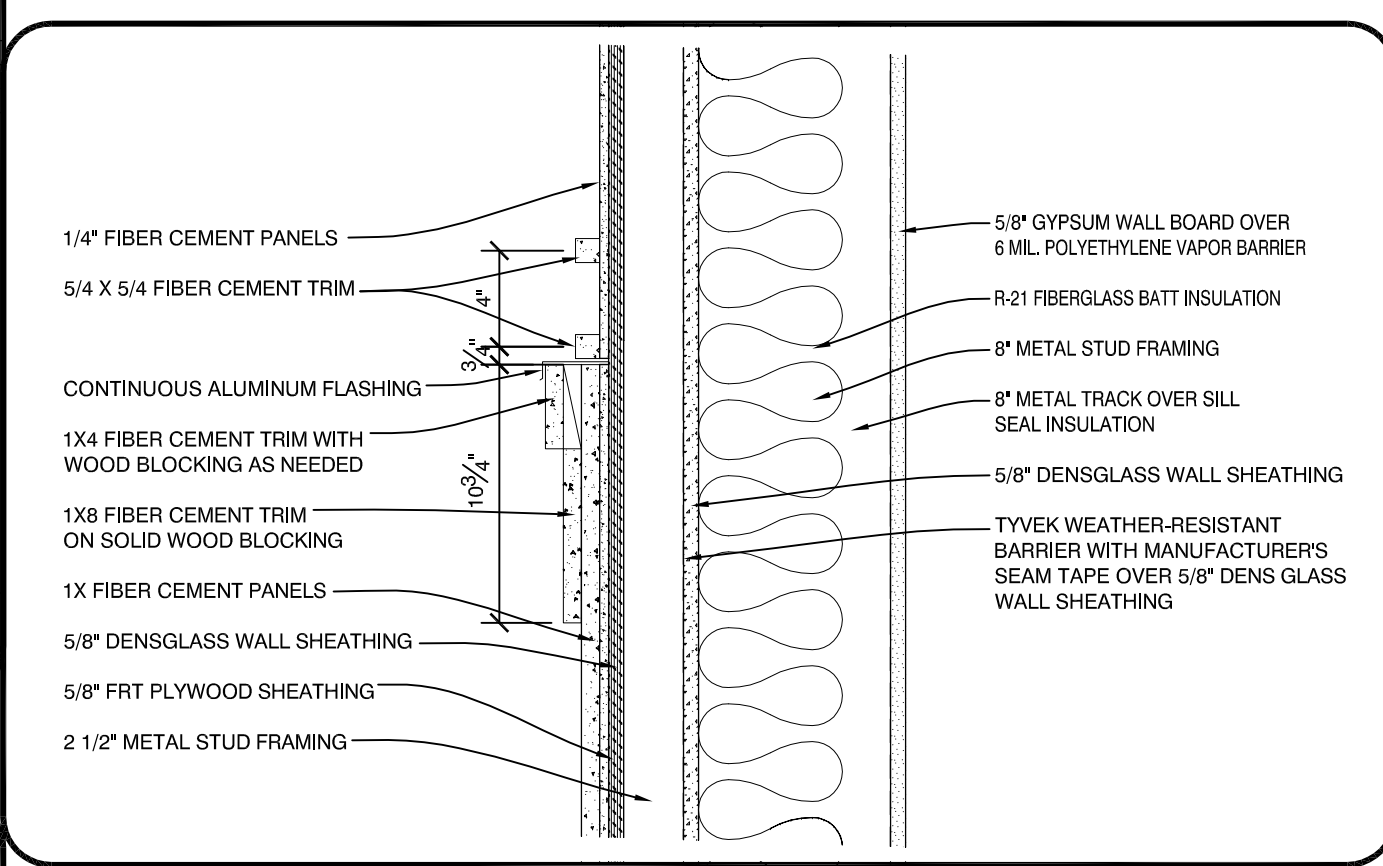
WINDOW HEAD DETAIL
SCALE: 1 1/2" = 1'-0"



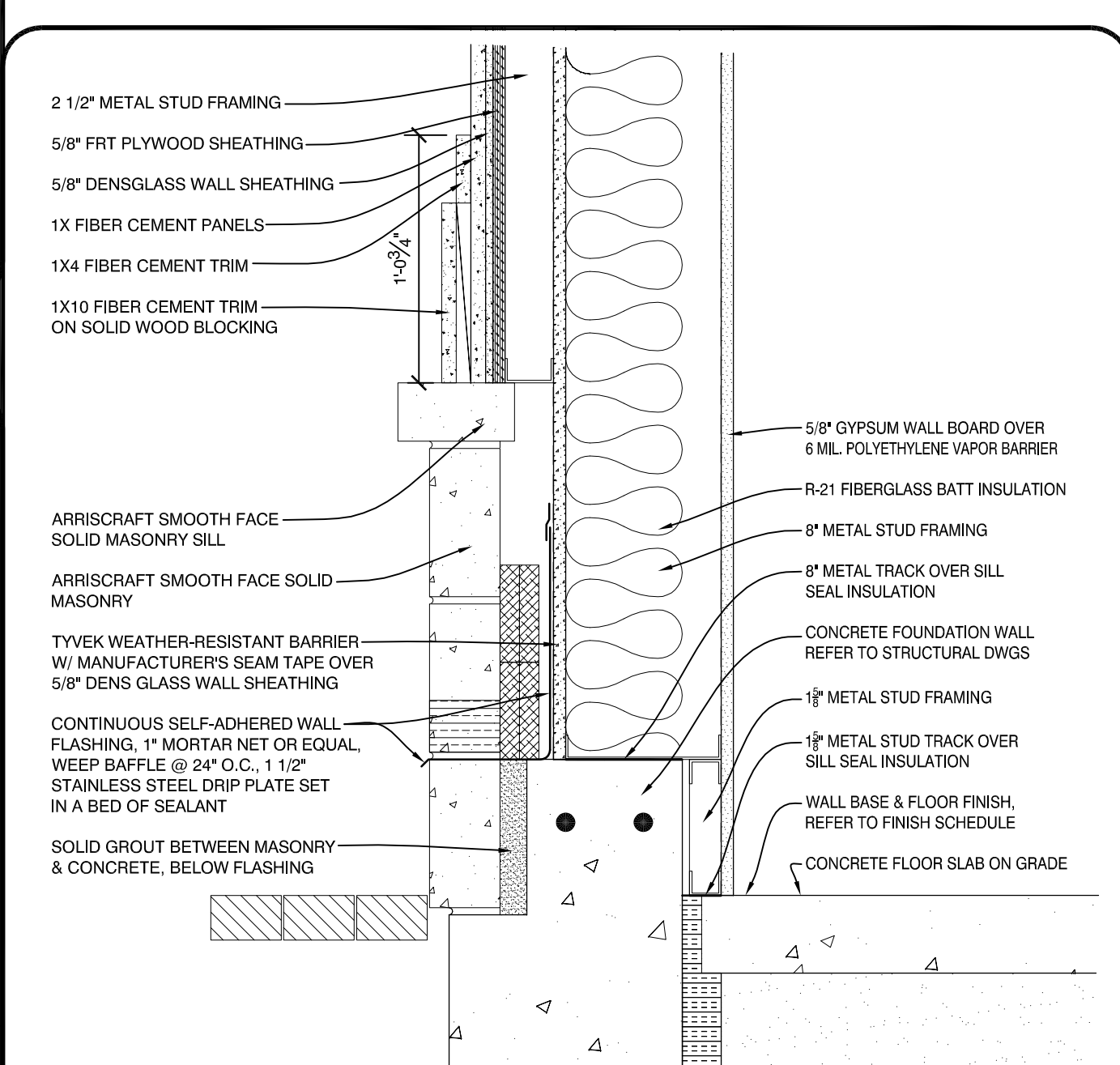
WINDOW SILL DETAIL
SCALE: 1 1/2" = 1'-0"



RELIEVING ANGLE DETAIL
SCALE: 1 1/2" = 1'-0"



PILASTER TRIM DETAIL
SCALE: 1 1/2" = 1'-0"



PILASTER BASE DETAIL
SCALE: 1 1/2" = 1'-0"

1 WALL SECTION
SCALE: 1/2" = 1'-0"

2 WALL SECTION
SCALE: 1/2" = 1'-0"

ISSUED:
05-09-16 FOR BUILDING PERMIT

REVISION:

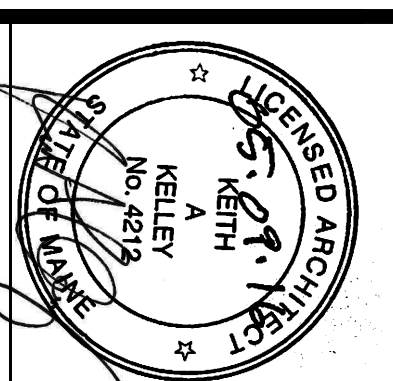
project architect: KAK
drawn by: JJD

sheet number:
A4.07

WALL SECTIONS

Mixed Use Development

York & High Street
Portland, Maine



OPEECHEE
CONSTRUCTION CORPORATION

11 CORPORATE DRIVE • BELMONT • NH 03220
PHONE (603) 527-9090 • WWW.OPEECHEE.COM