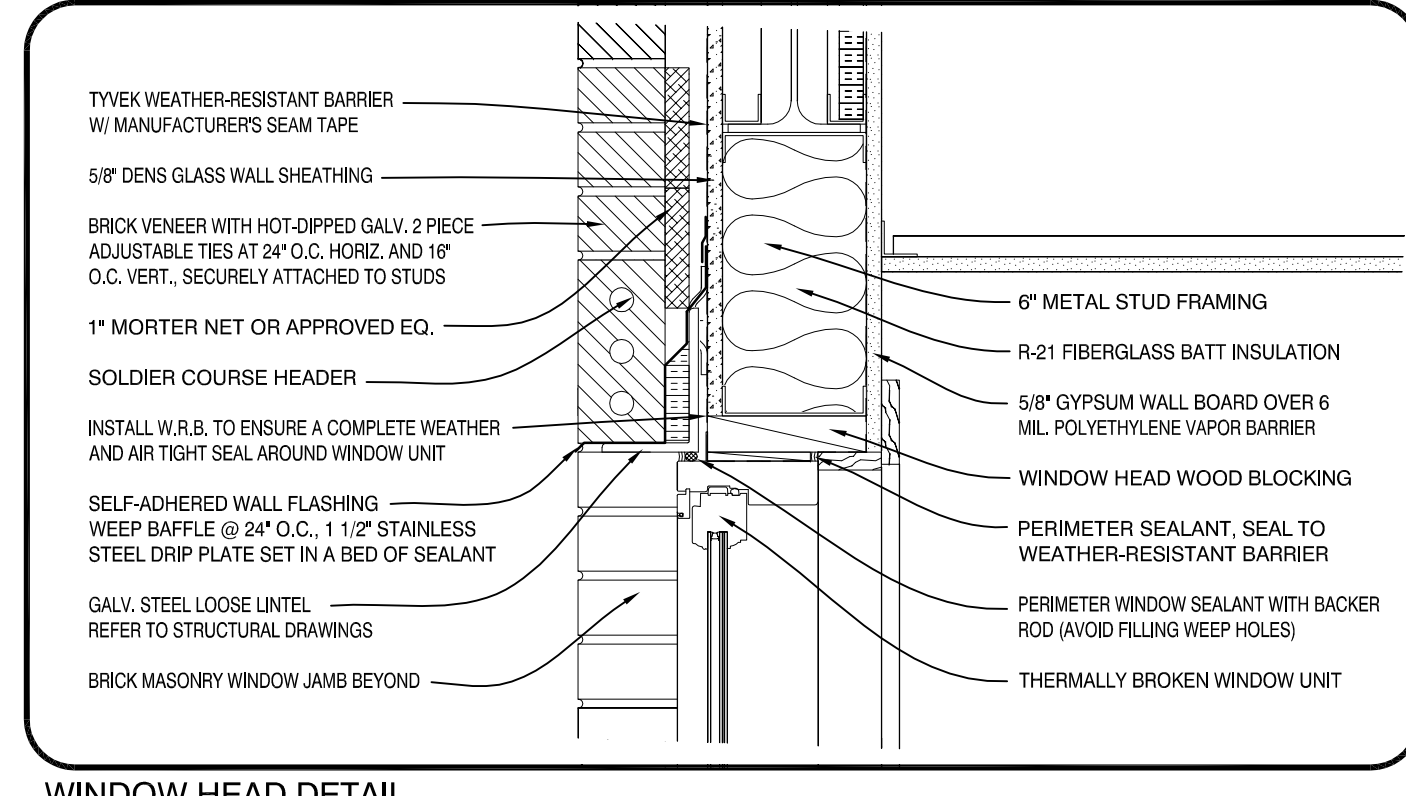
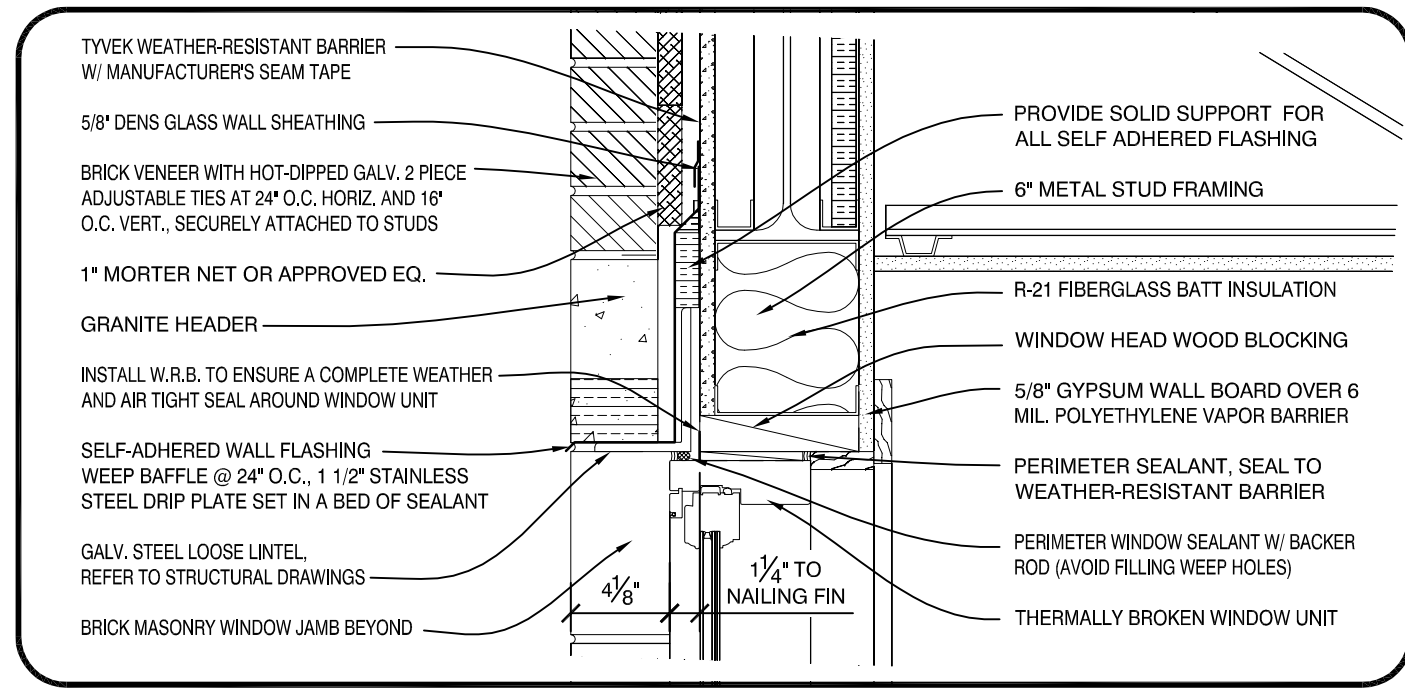


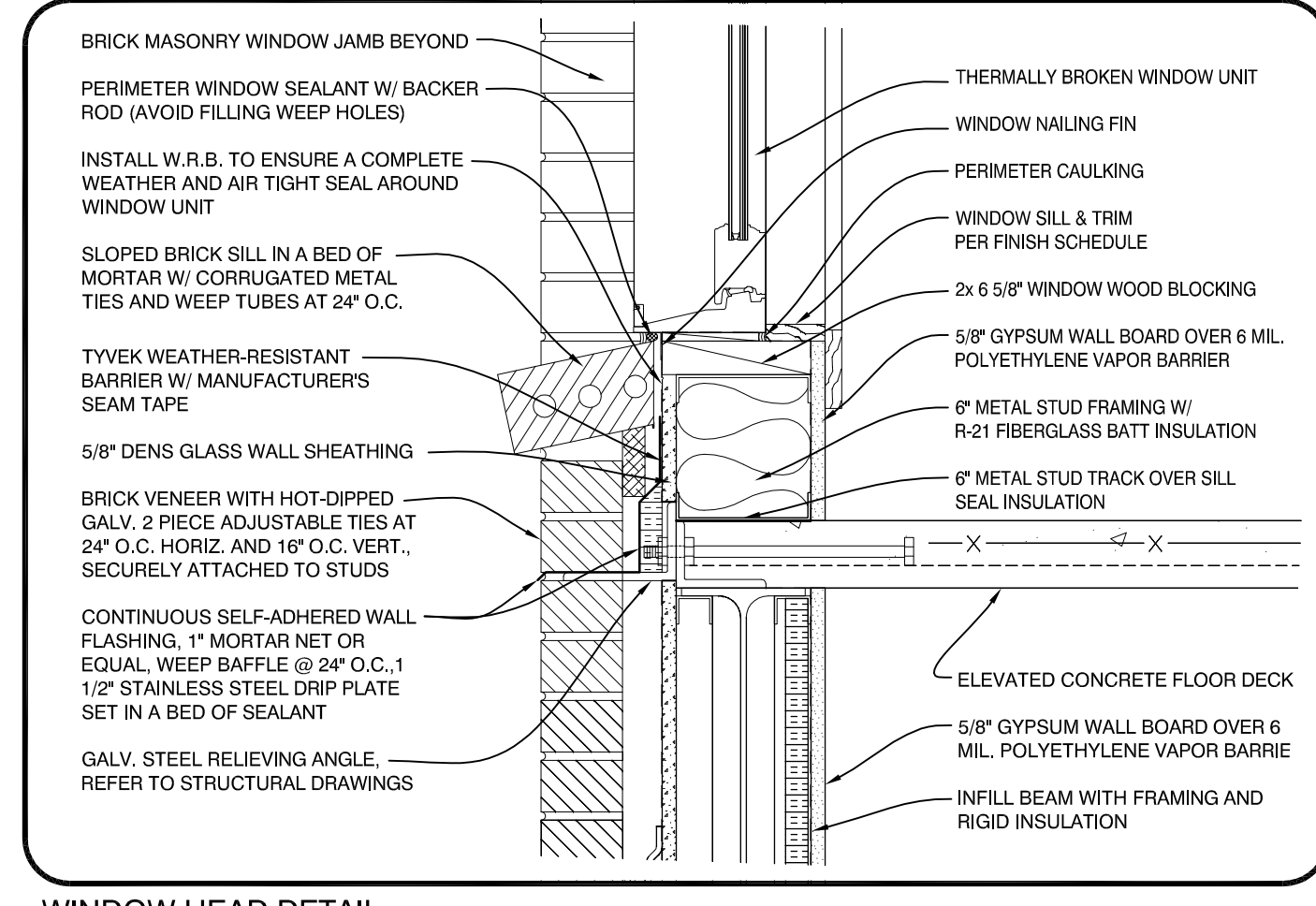
ROOF CORNICE DETAIL
SCALE: 1 1/2" = 1'-0"



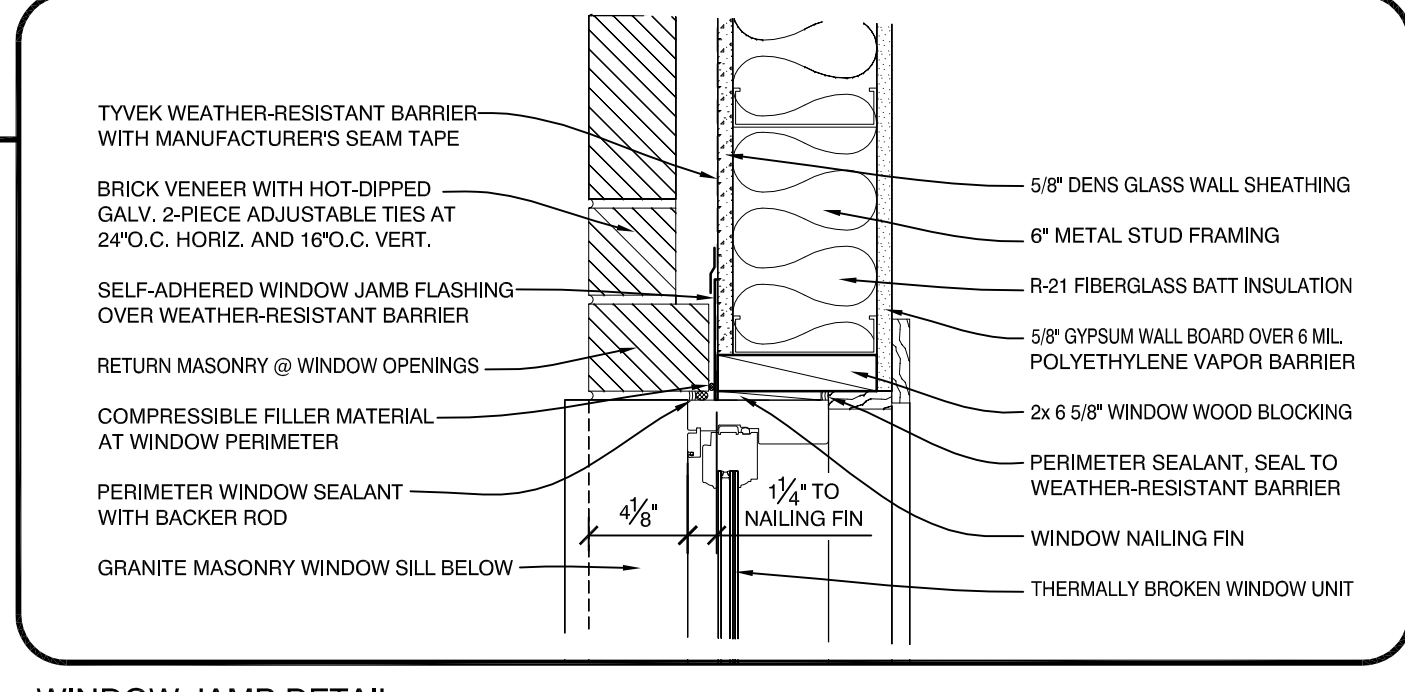
WINDOW HEAD DETAIL
SCALE: 1 1/2" = 1'-0"



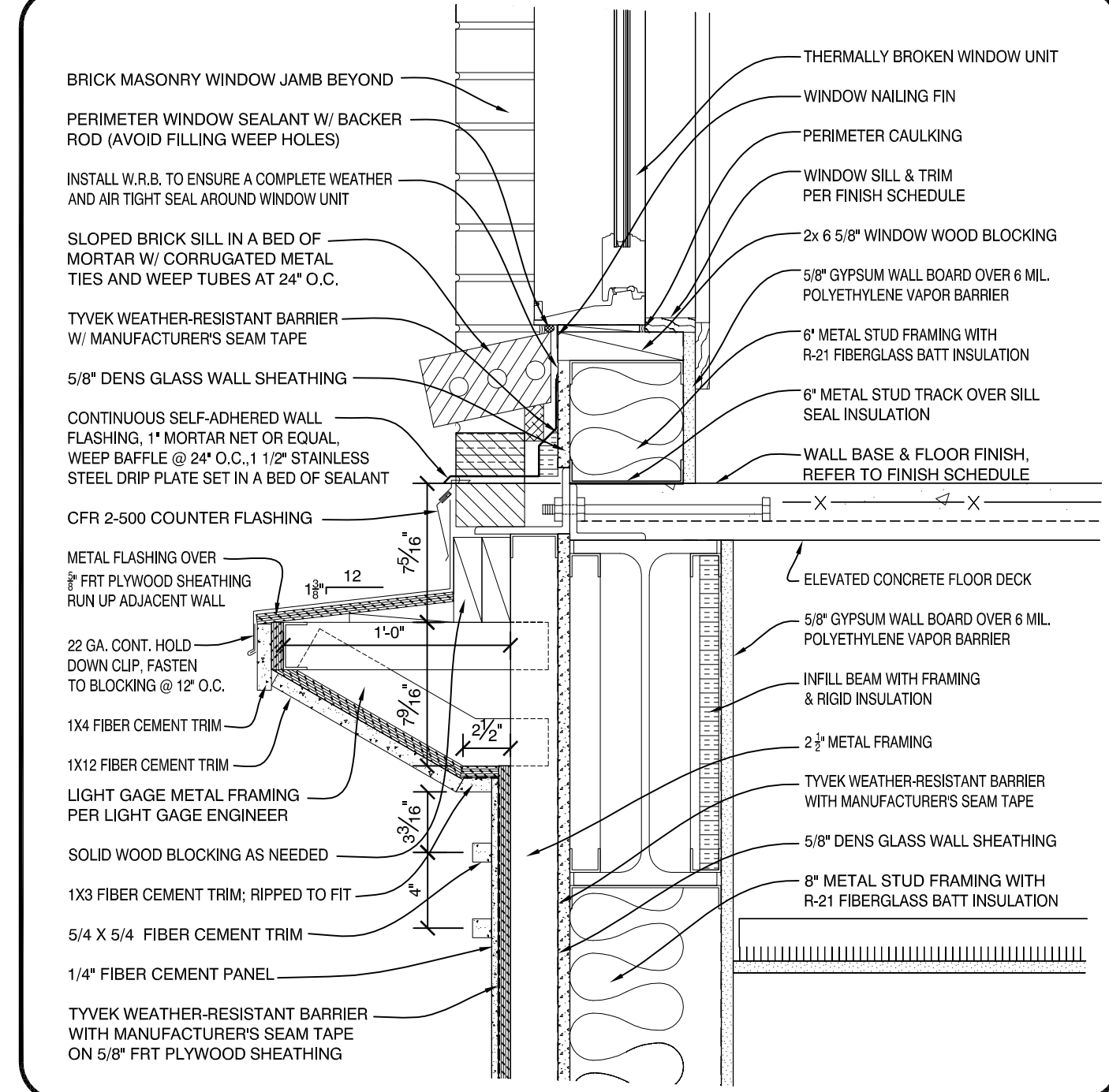
WINDOW HEAD DETAIL
SCALE: 1 1/2" = 1'-0"



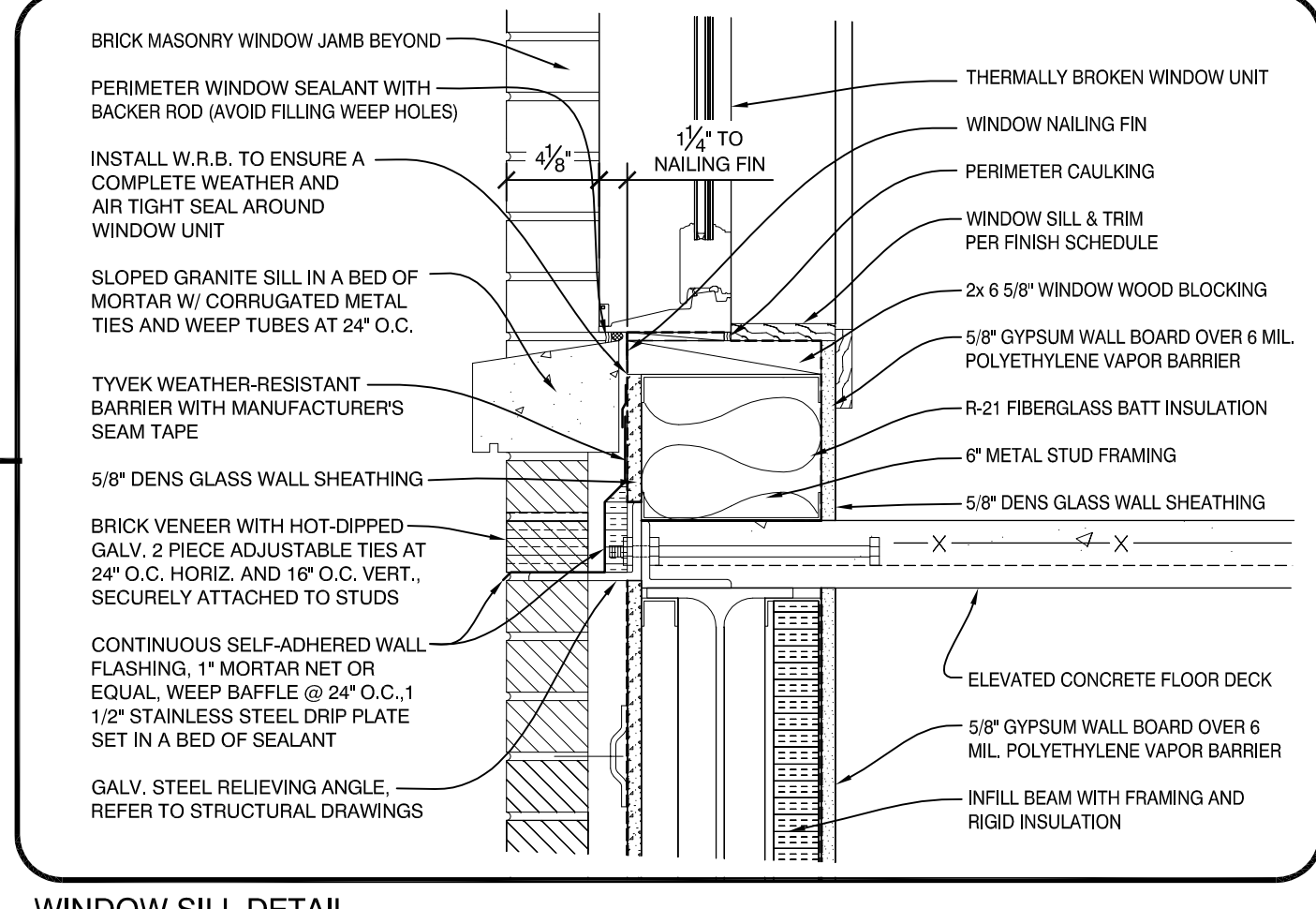
WINDOW HEAD DETAIL
SCALE: 1 1/2" = 1'-0"



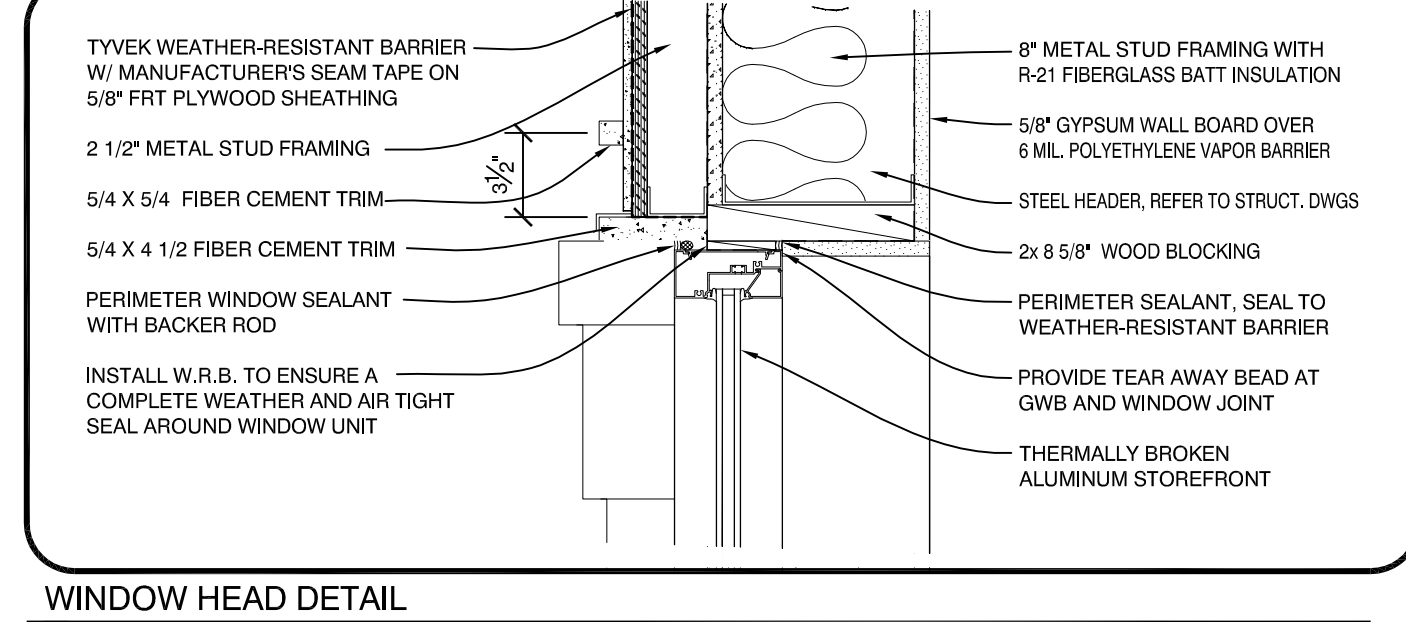
WINDOW JAMB DETAIL
SCALE: 1 1/2" = 1'-0"



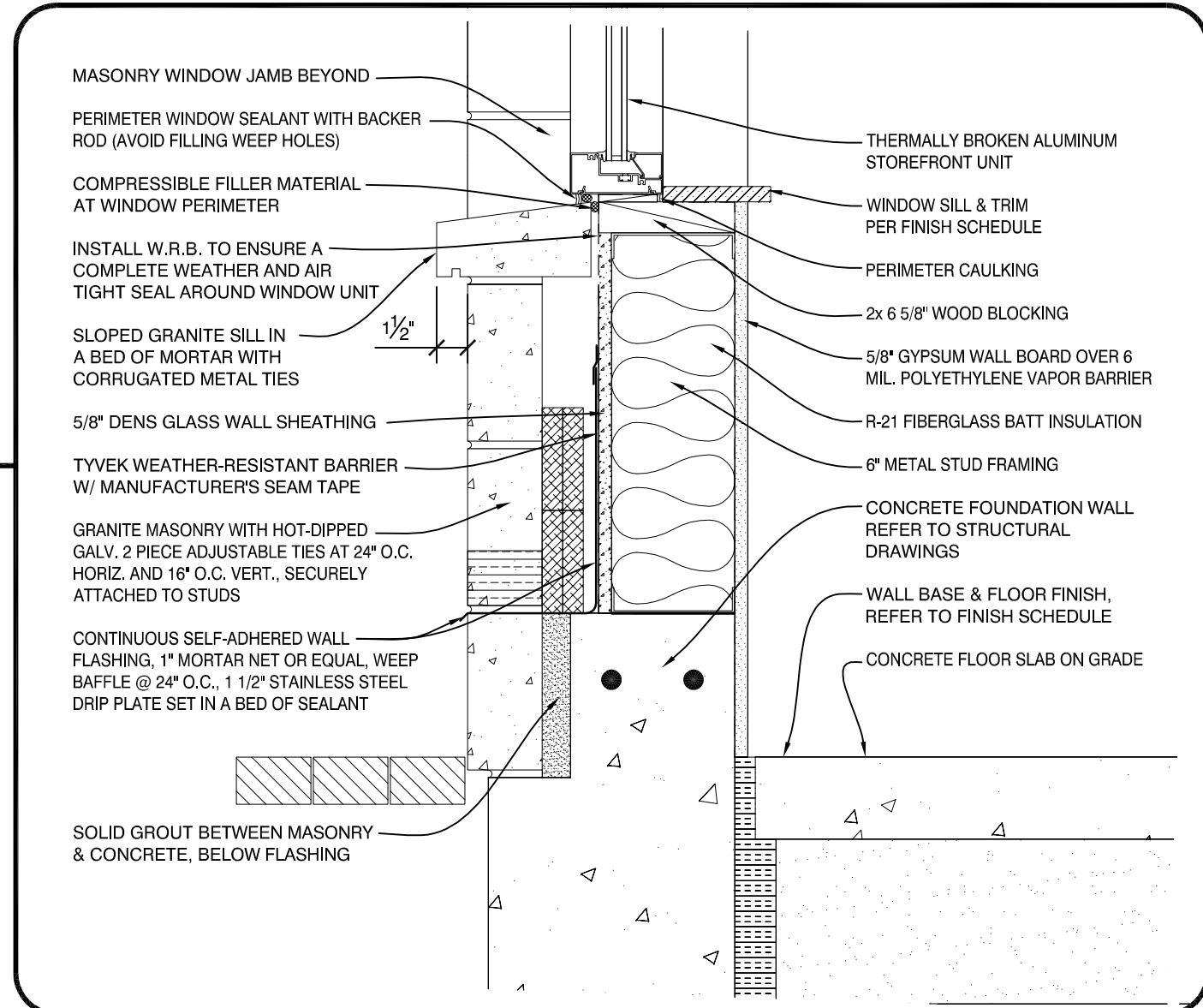
LOWER LEVEL CORNICE DETAIL
SCALE: 1 1/2" = 1'-0"



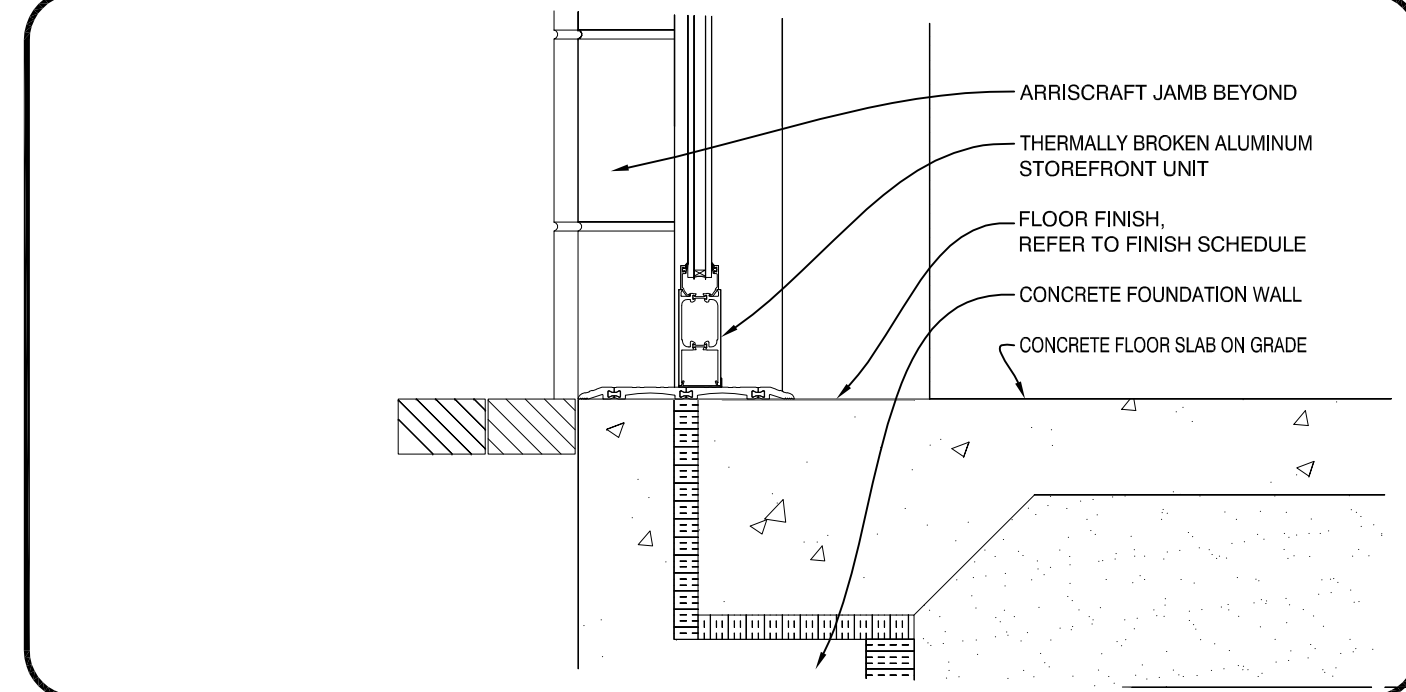
WINDOW SILL DETAIL
SCALE: 1 1/2" = 1'-0"



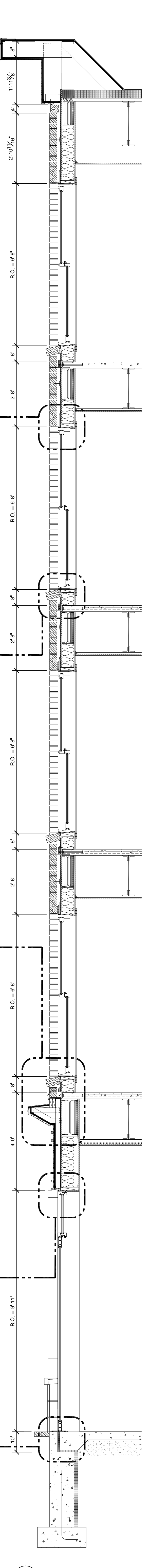
WINDOW HEAD DETAIL
SCALE: 1 1/2" = 1'-0"



WINDOW SILL DETAIL
SCALE: 1 1/2" = 1'-0"



THRESHOLD DETAIL
SCALE: 1 1/2" = 1'-0"



1 WALL SECTION
SCALE: 1/2" = 1'-0"

2 WALL SECTION
SCALE: 1/2" = 1'-0"

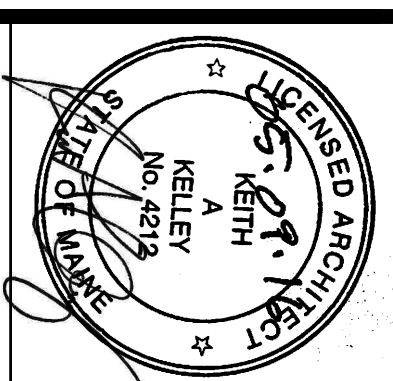
Sheet number:
A4.06

WALL SECTIONS
Project architect: **KAK**
drawn by: **JJD**

ISSUED:
05-09-16 FOR BUILDING PERMIT

REVISION:

Mixed Use Development
York & High Street
Portland, Maine



OPECHEE
CONSTRUCTION CORPORATION
11 CORPORATE DRIVE • BELMONT • NH 03220
PHONE (603) 527-9090 • WWW.OPECHEE.COM