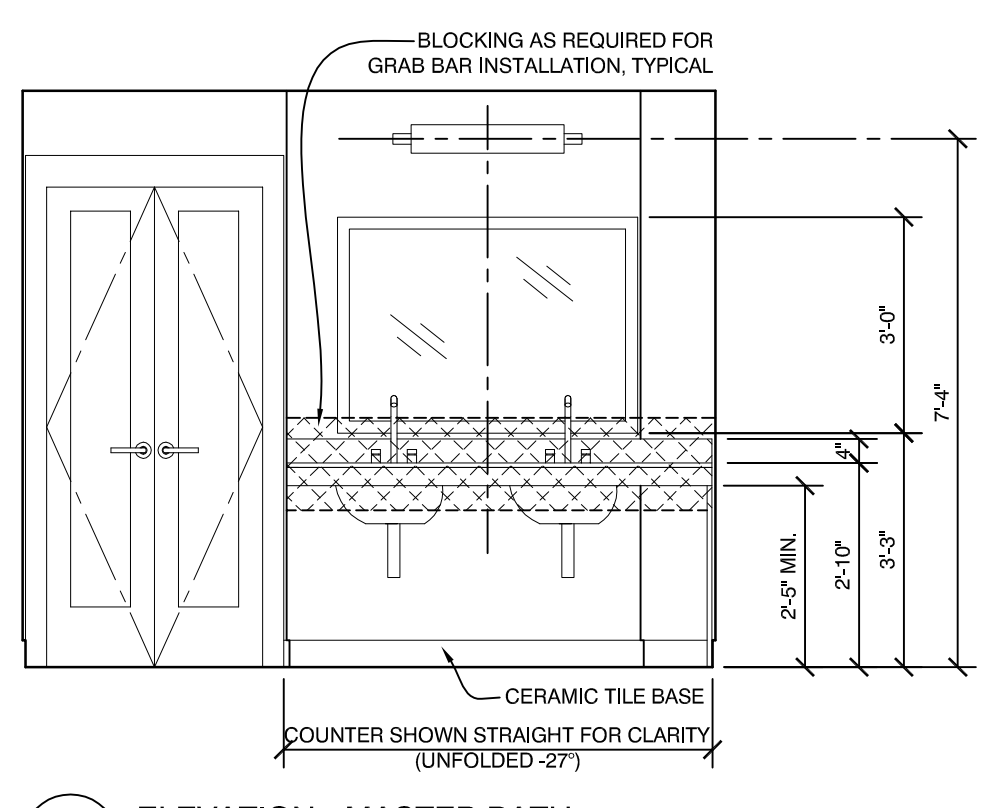
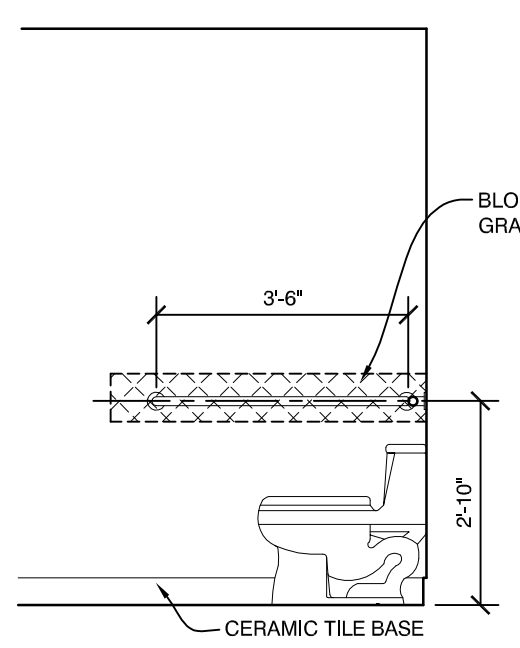


Monday, May 09, 2016 10:23:59 AM

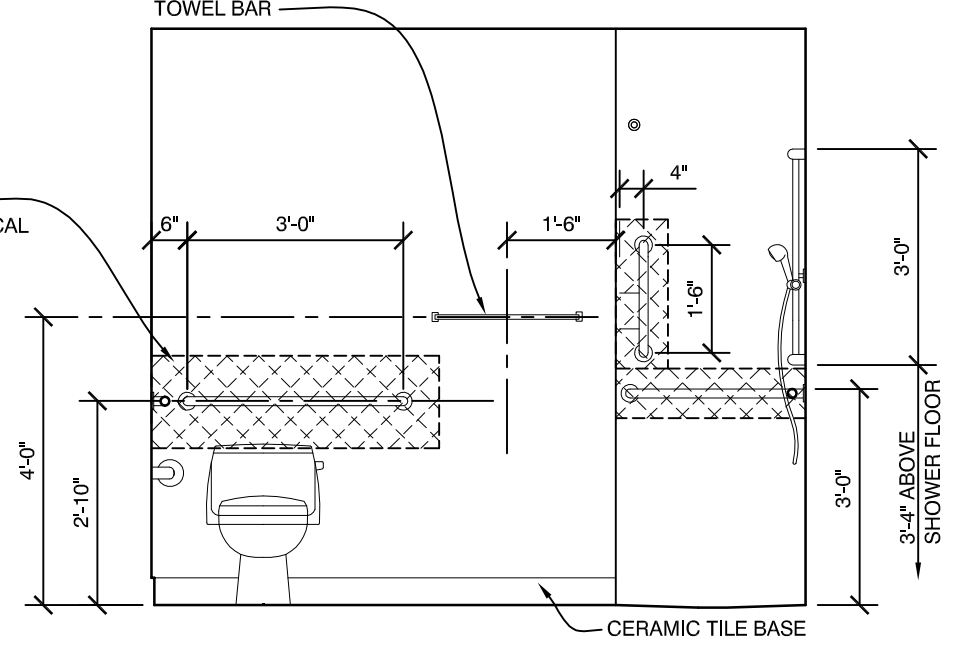
© Copyright 2016 Opechee Construction Corporation



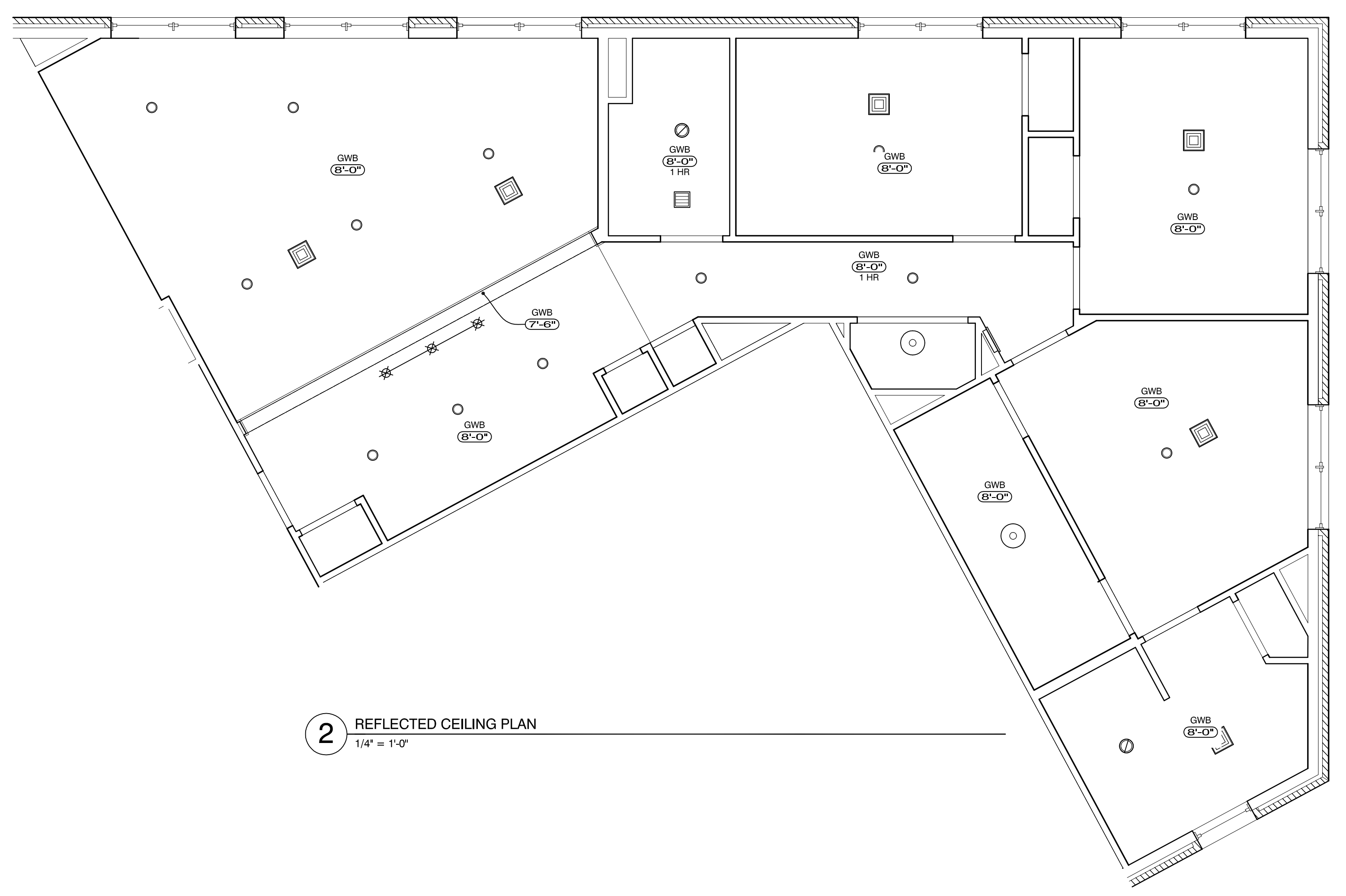
K ELEVATION - MASTER BATH
1/2" = 1'-0"



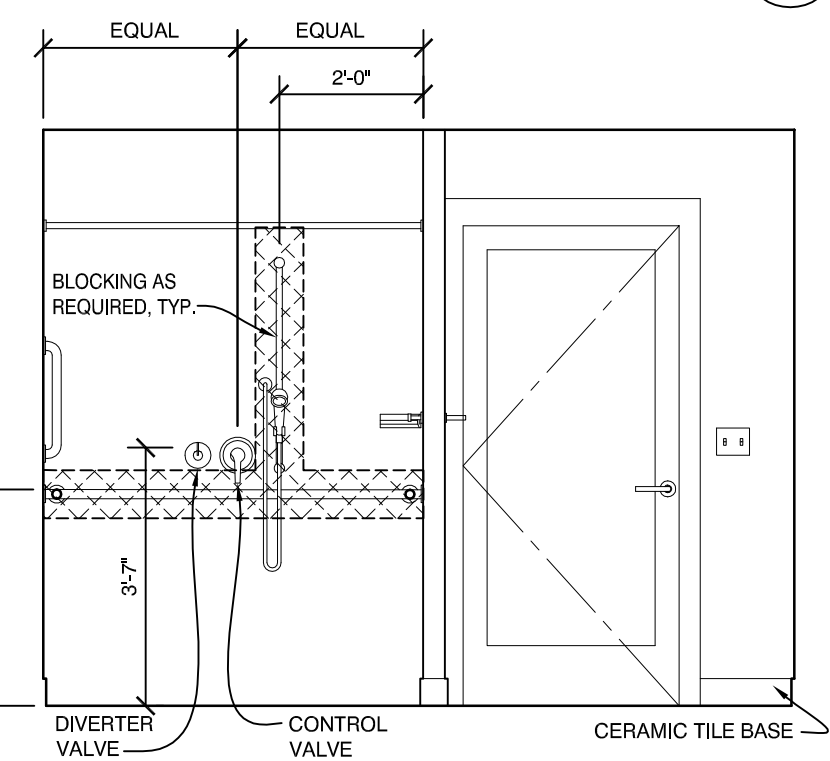
J ELEVATION - MASTER BATH
1/2" = 1'-0"



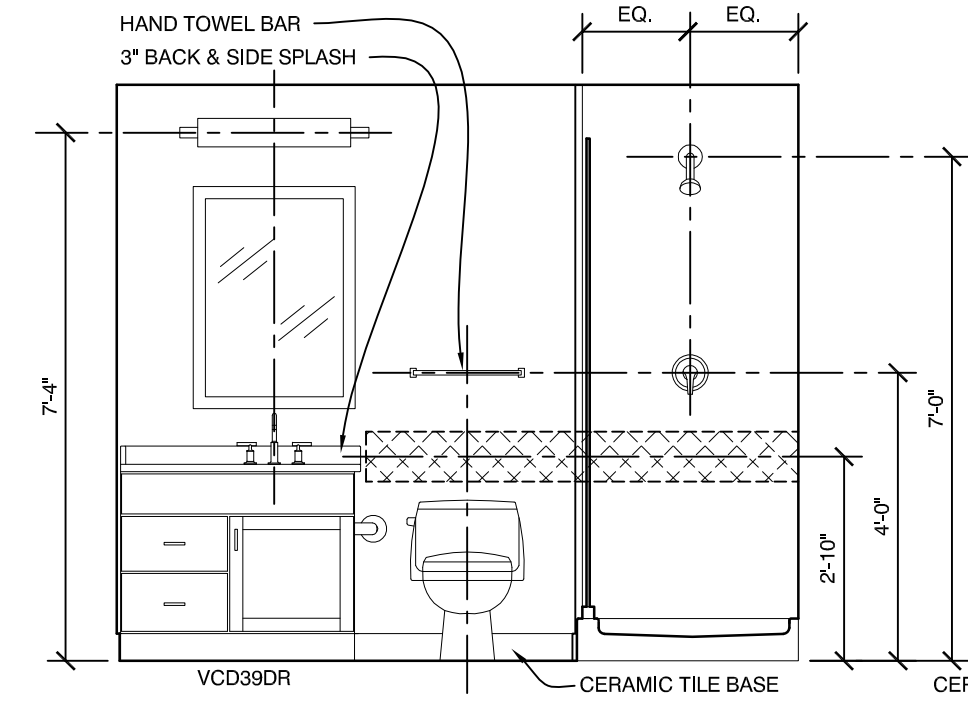
I ELEVATION - MASTER BATH
1/2" = 1'-0"



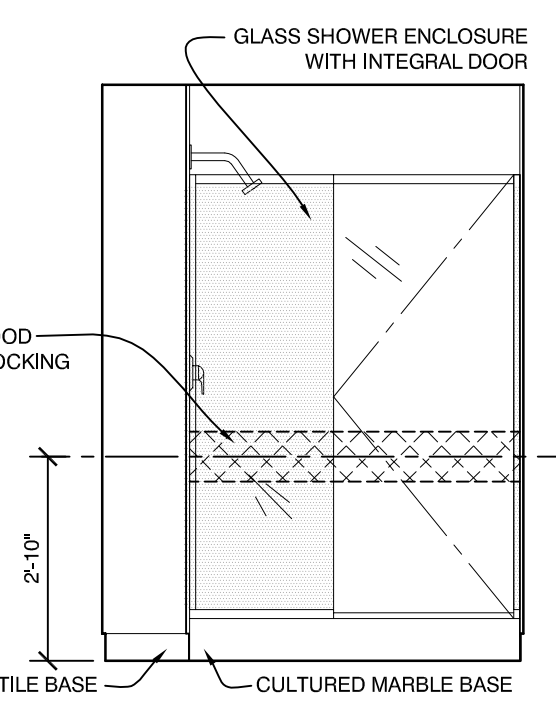
2 REFLECTED CEILING PLAN
1/4" = 1'-0"



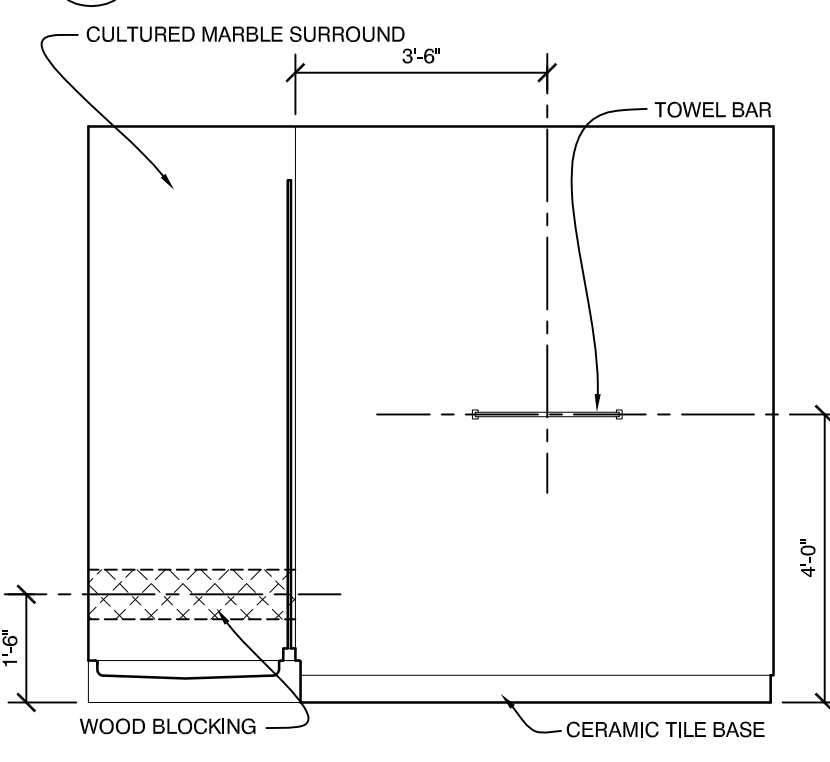
H ELEVATION - MASTER BATH
1/2" = 1'-0"



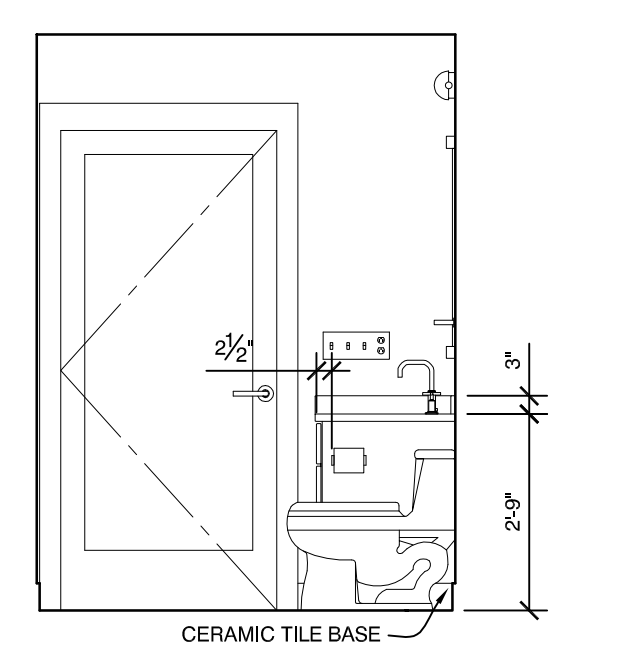
G ELEVATION - BATH
1/2" = 1'-0"



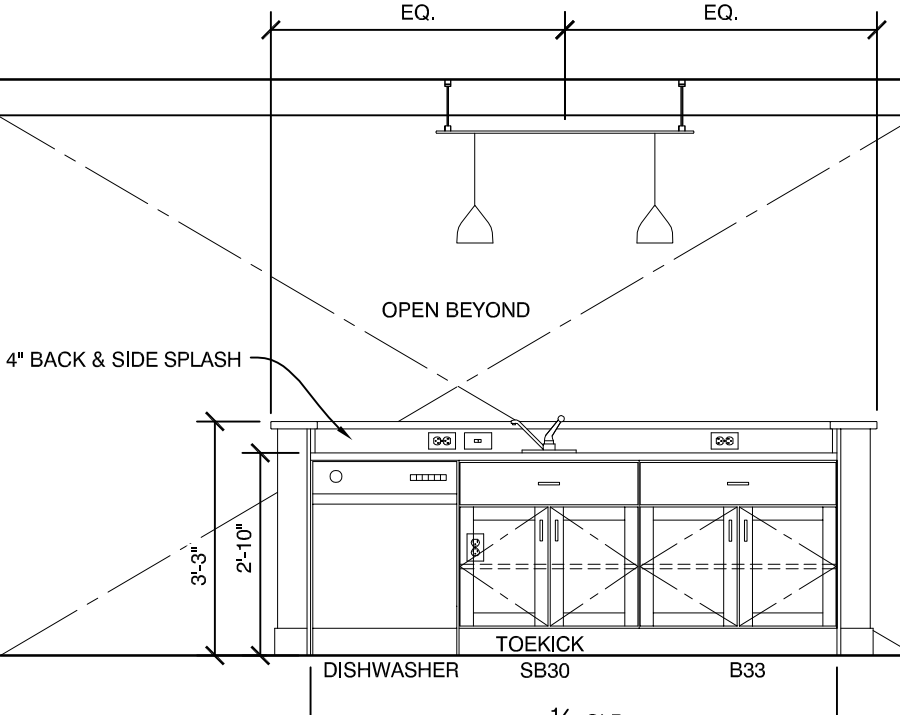
F ELEVATION - BATH
1/2" = 1'-0"



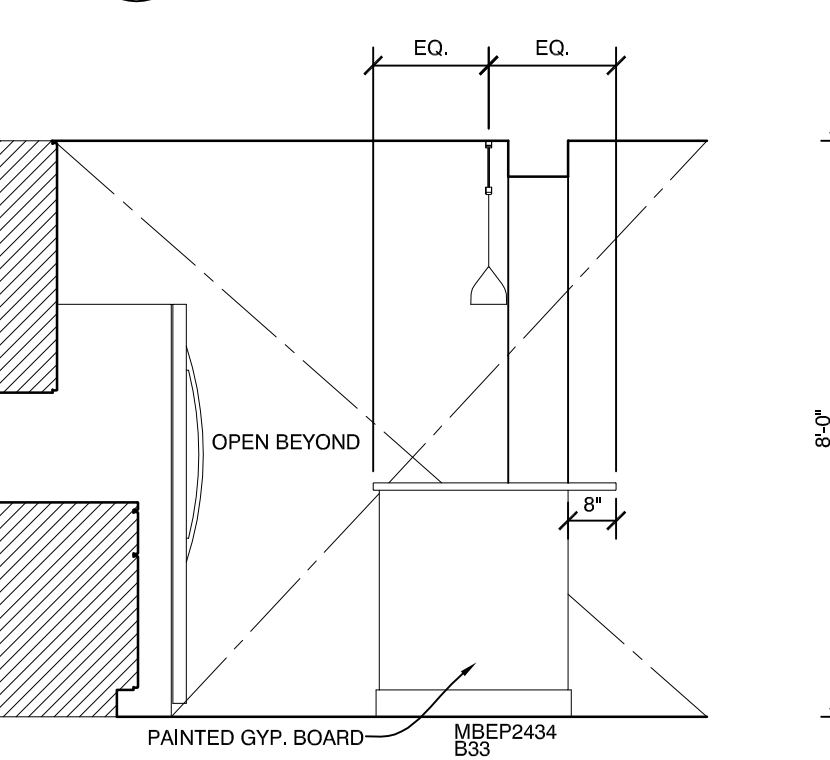
E ELEVATION - BATH
1/2" = 1'-0"



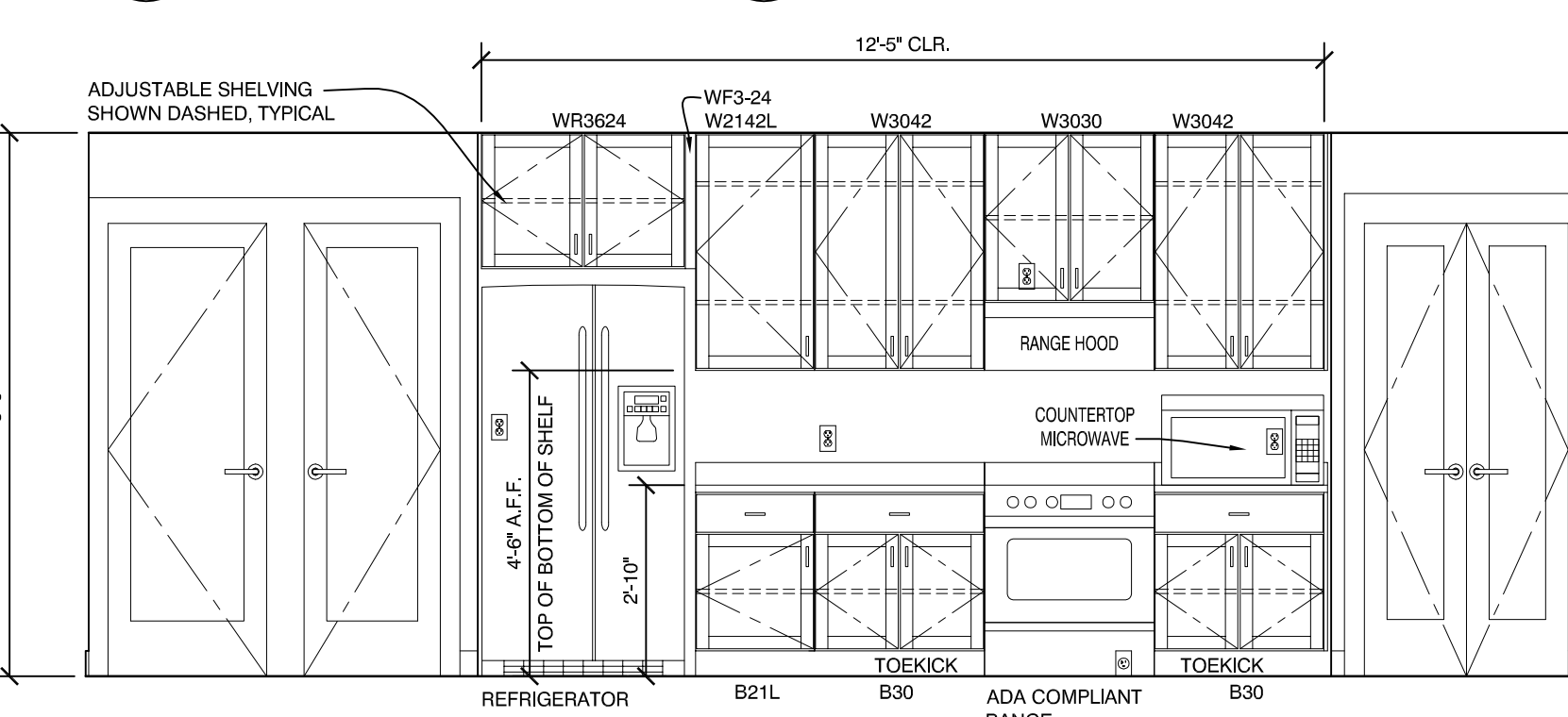
D ELEVATION - BATH
1/2" = 1'-0"



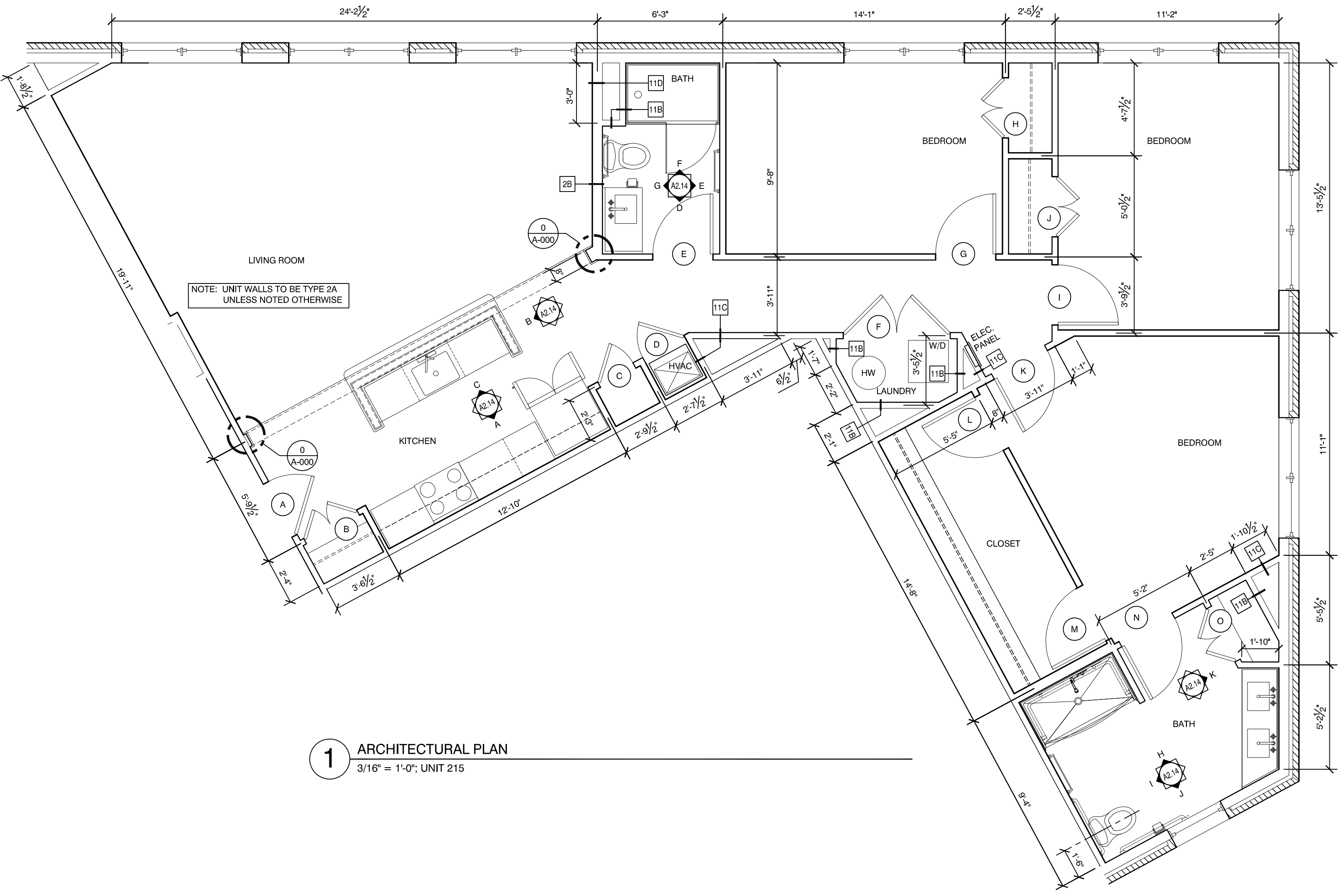
C ELEVATION - KITCHEN ISLAND
1/2" = 1'-0"



B ELEVATION - KITCHEN ISLAND
1/2" = 1'-0"



A ELEVATION - KITCHEN
1/2" = 1'-0"



1 ARCHITECTURAL PLAN
3/16" = 1'-0"; UNIT 215

REVISION:

ISSUED:
05-09-16 FOR BUILDING PERMIT

project architect: KAK
drawn by: JLG

UNIT PLAN
C1 &
sheet number:
A2.14