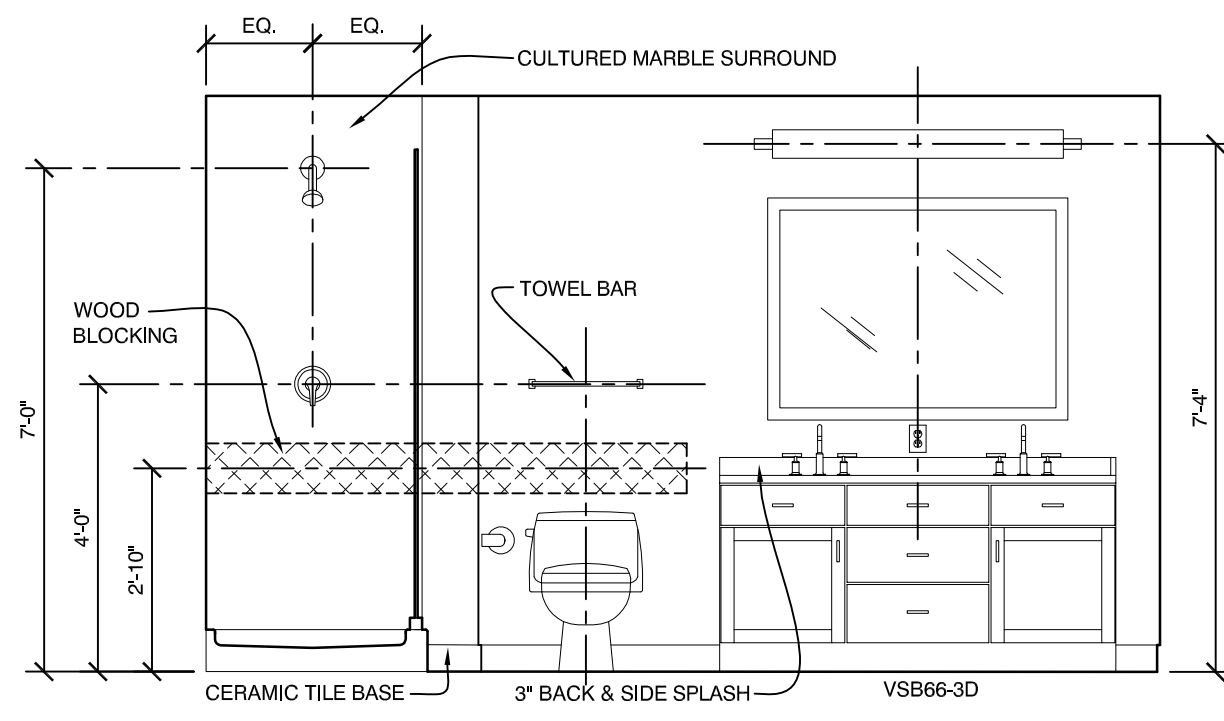
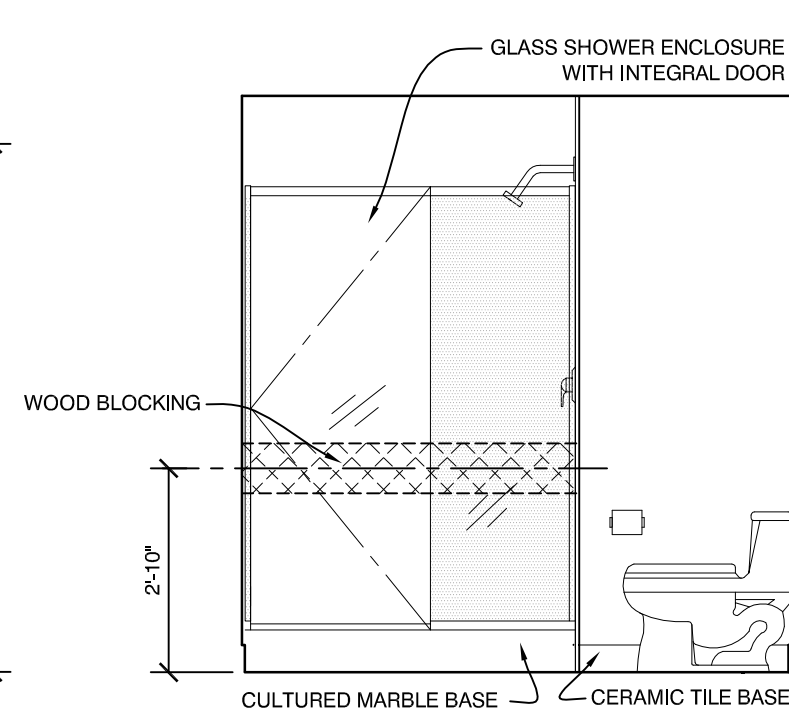


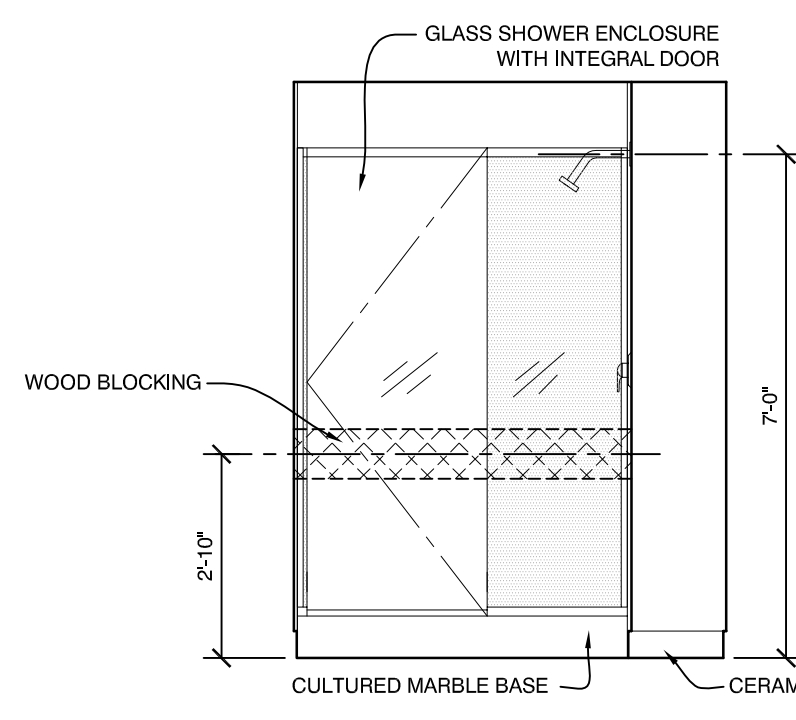
N ELEVATION - MASTER BATH
3/8" = 1'-0"



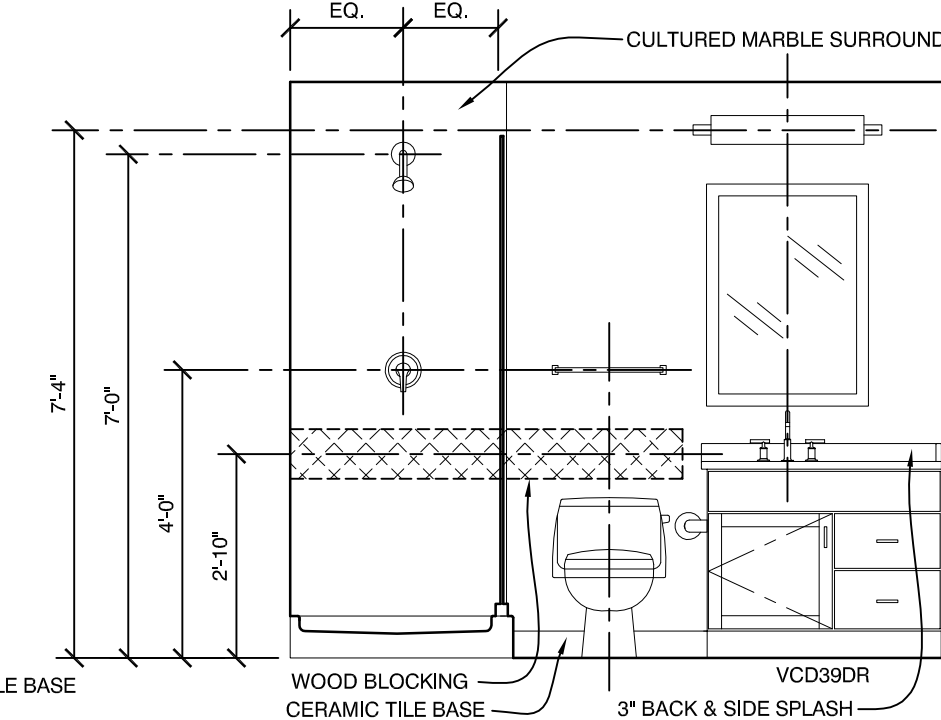
M ELEVATION - MASTER BATH
3/8" = 1'-0"



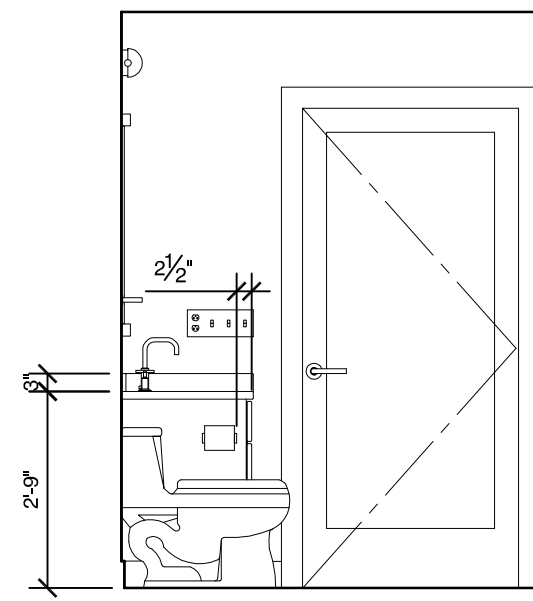
L ELEVATION - MASTER BATH
3/8" = 1'-0"



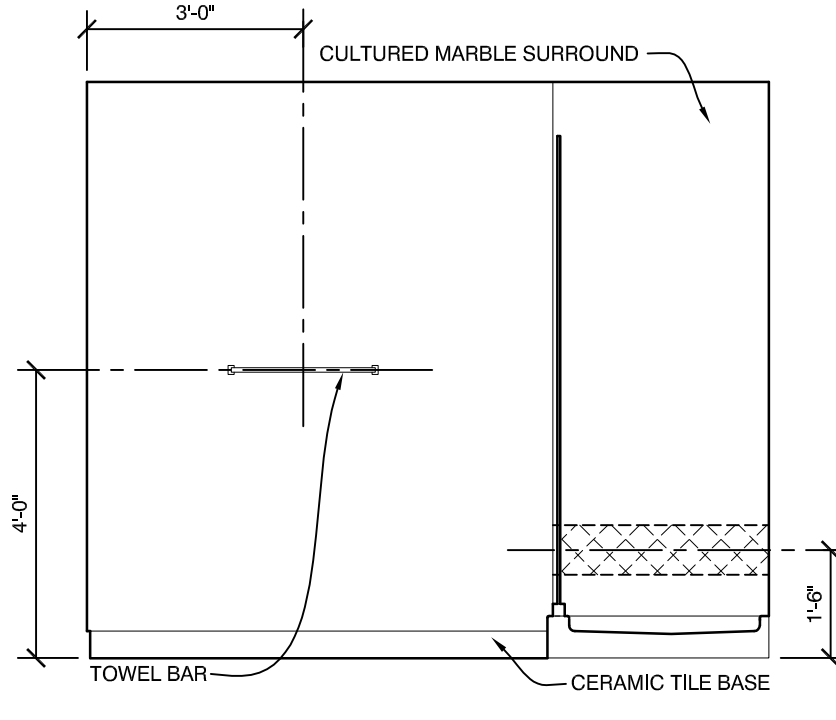
K ELEVATION - BATH
3/8" = 1'-0"



J ELEVATION - BATH
3/8" = 1'-0"

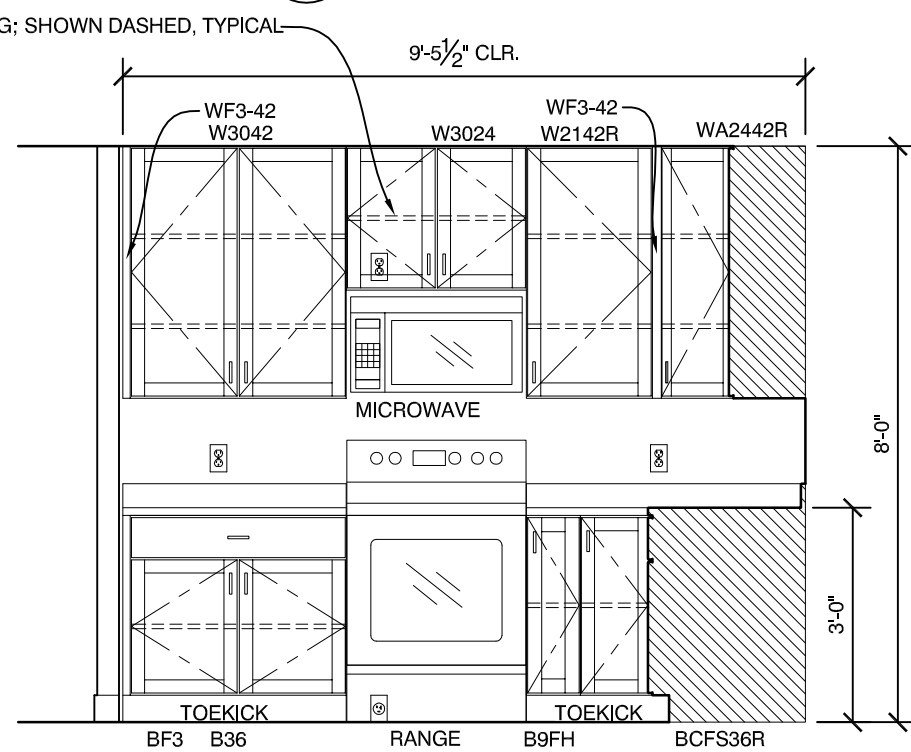


I ELEVATION - BATH
3/8" = 1'-0"

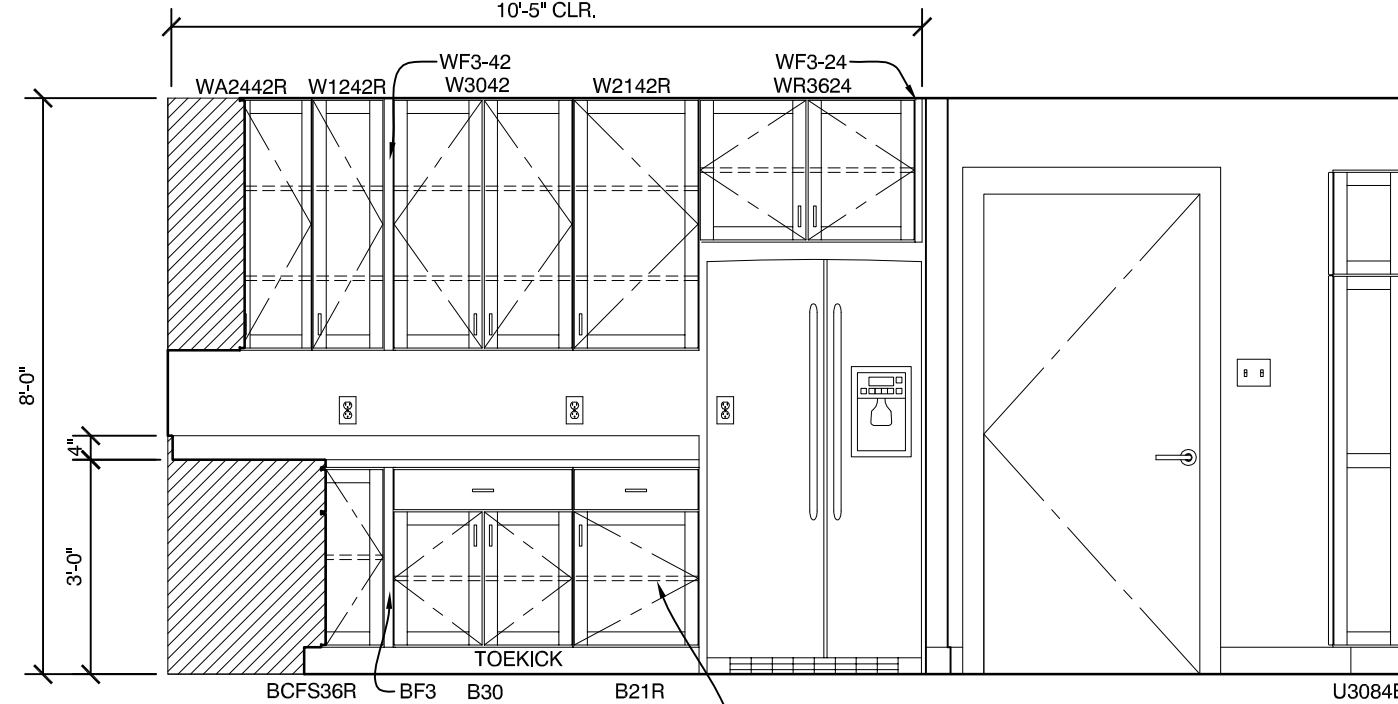


H ELEVATION - BATH
3/8" = 1'-0"

ADJUSTABLE SHELVING: SHOWN DASHED, TYPICAL

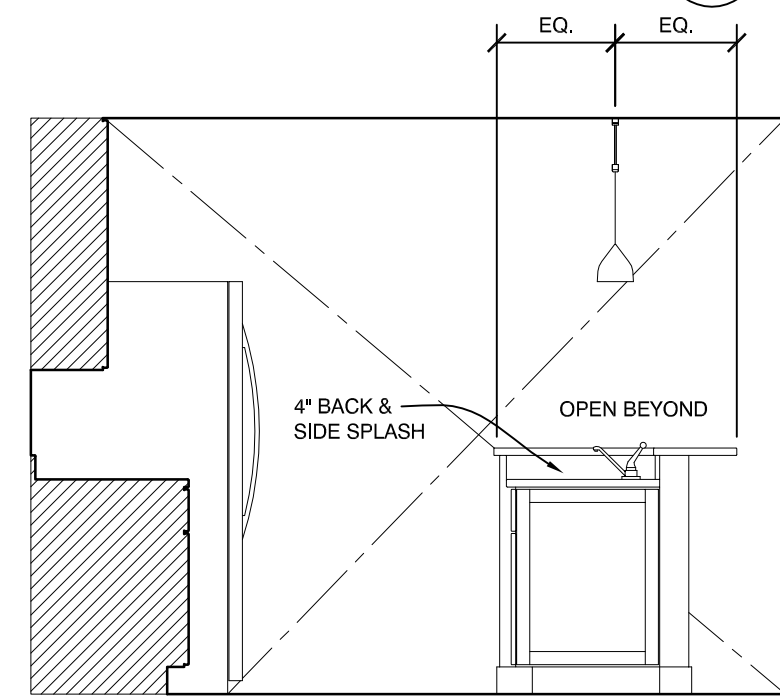


G ELEVATION - KITCHEN
3/8" = 1'-0"

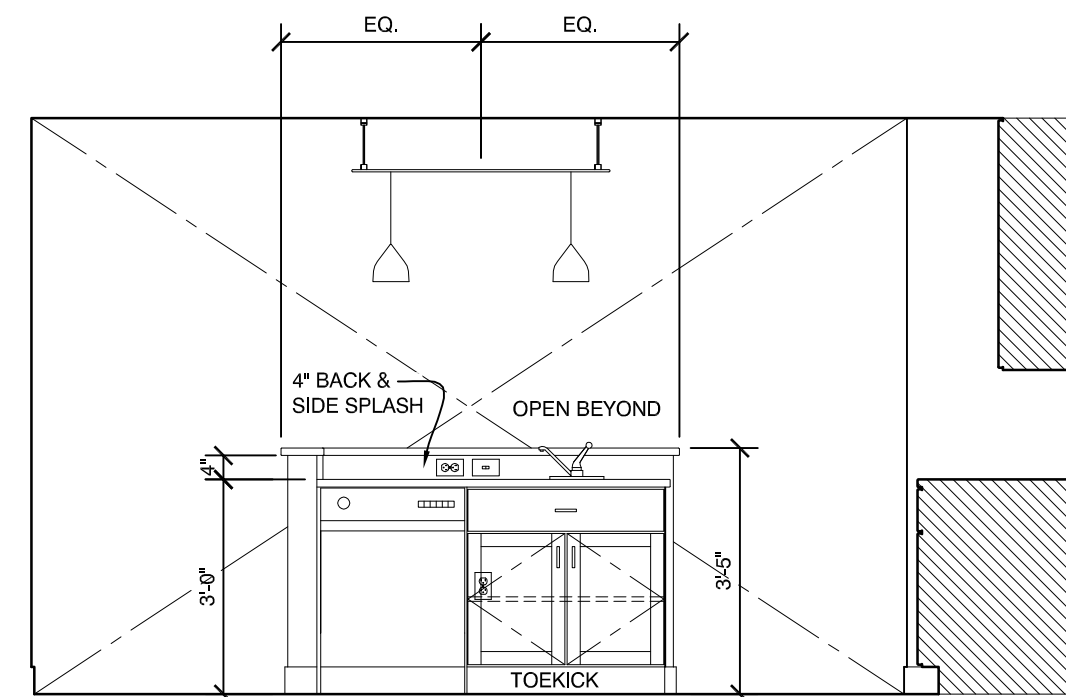


F ELEVATION - KITCHEN
3/8" = 1'-0"

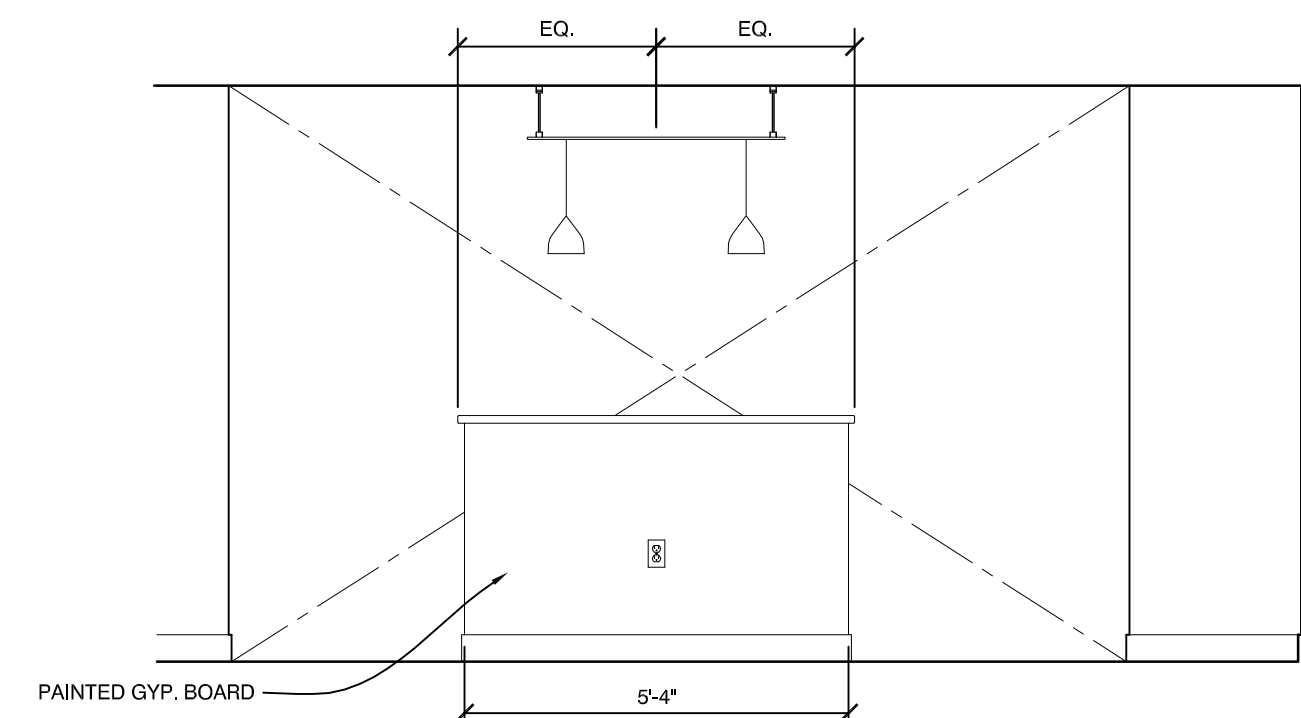
ADJUSTABLE SHELVING: SHOWN DASHED, TYPICAL



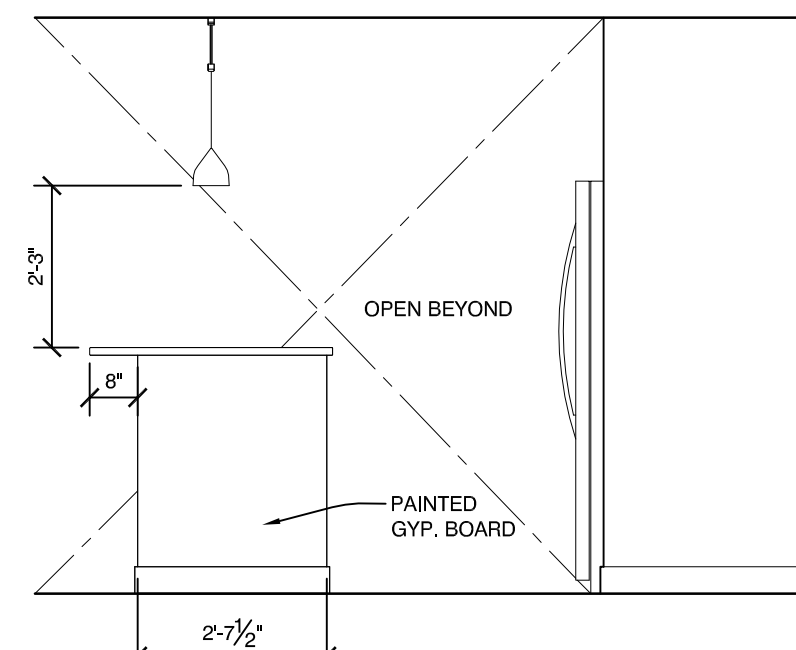
E ELEVATION - KITCHEN ISLAND
3/8" = 1'-0"



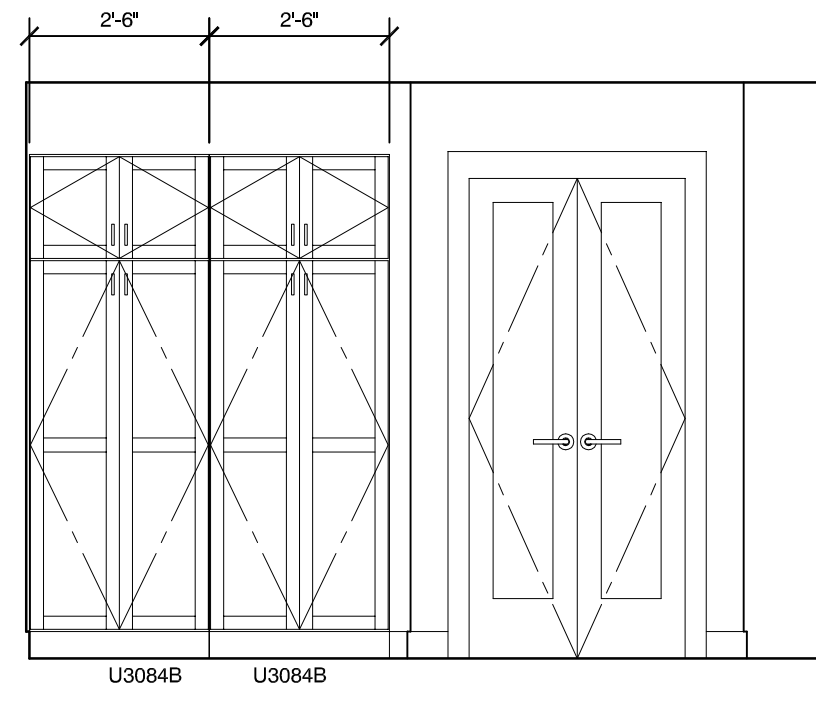
D ELEVATION - KITCHEN ISLAND
3/8" = 1'-0"



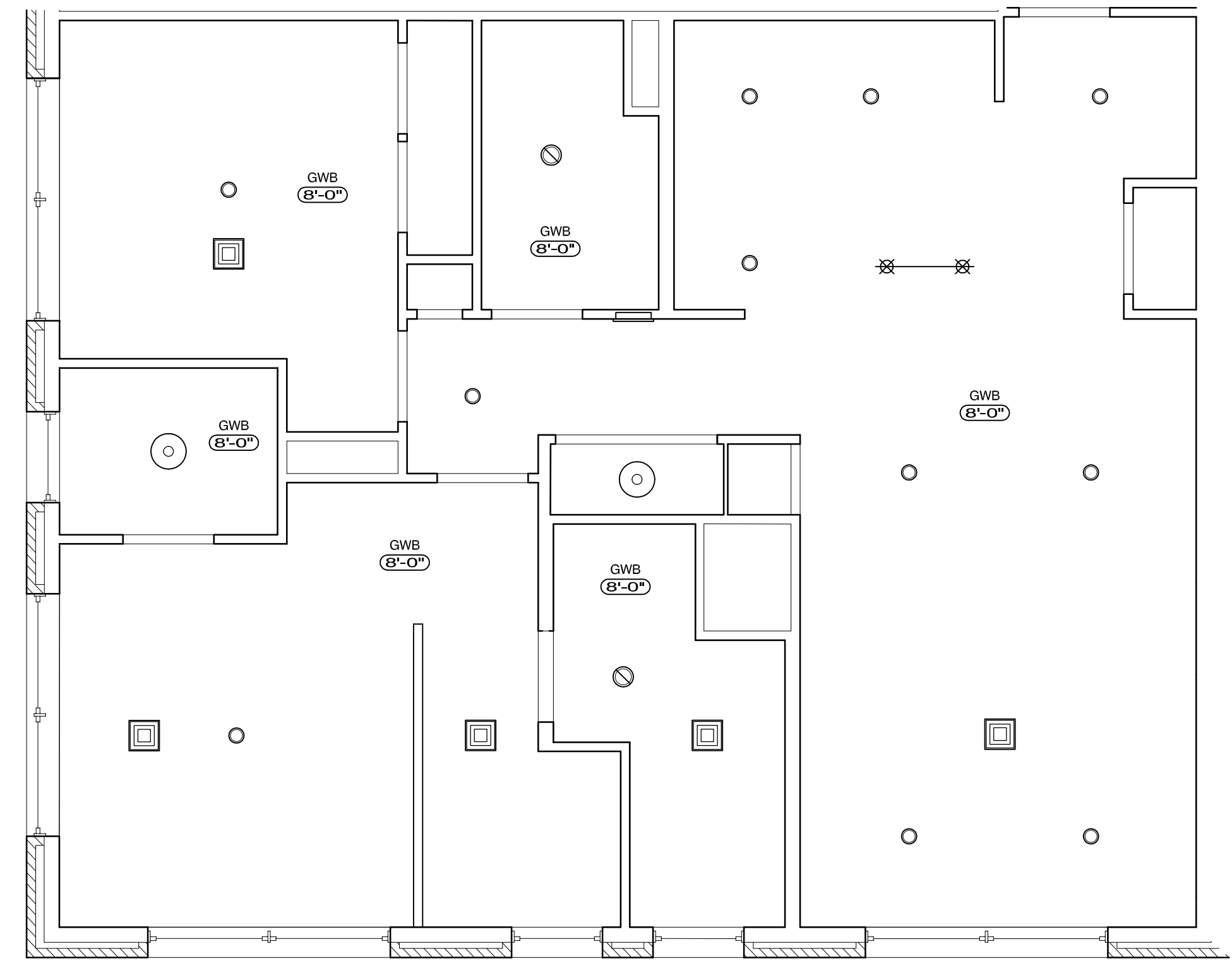
C ELEVATION - KITCHEN ISLAND
3/8" = 1'-0"



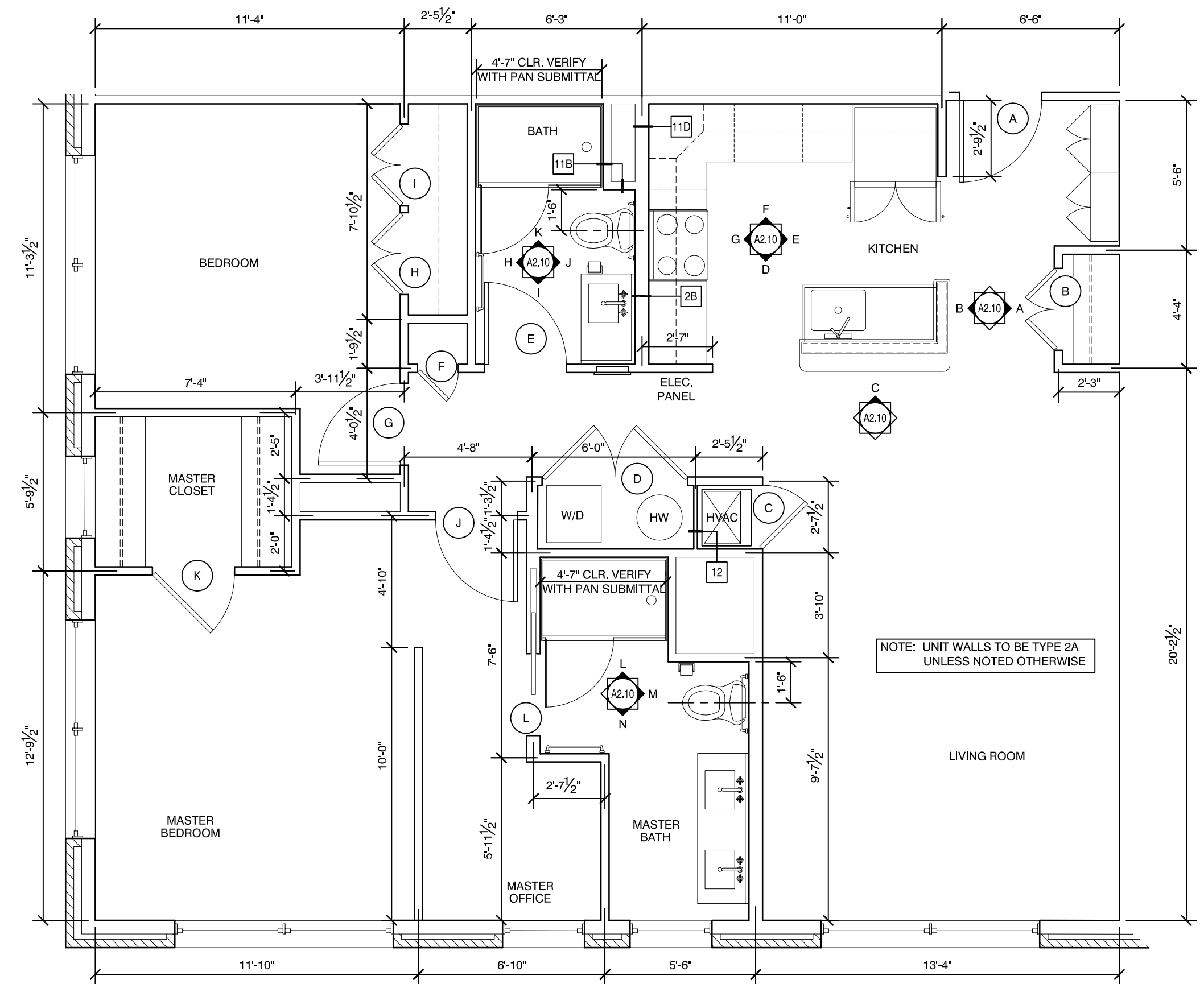
B ELEVATION - KITCHEN ISLAND
3/8" = 1'-0"



A ELEVATION - KITCHEN CLOSET
3/8" = 1'-0"



2 REFLECTED CEILING PLAN
1/4" = 1'-0"



1 ARCHITECTURAL PLAN
1/4" = 1'-0"; UNITS - 202, 302, 402, 502; MIRRORED - 204, 304, 404, 504