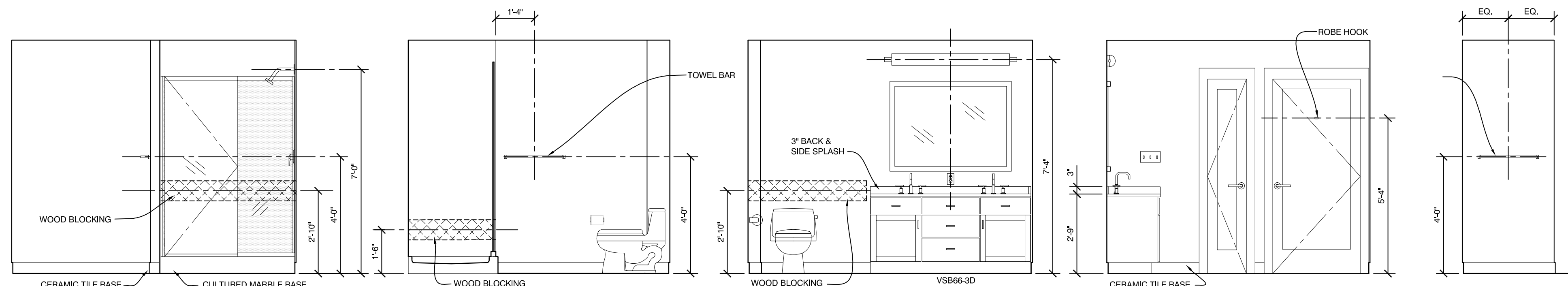
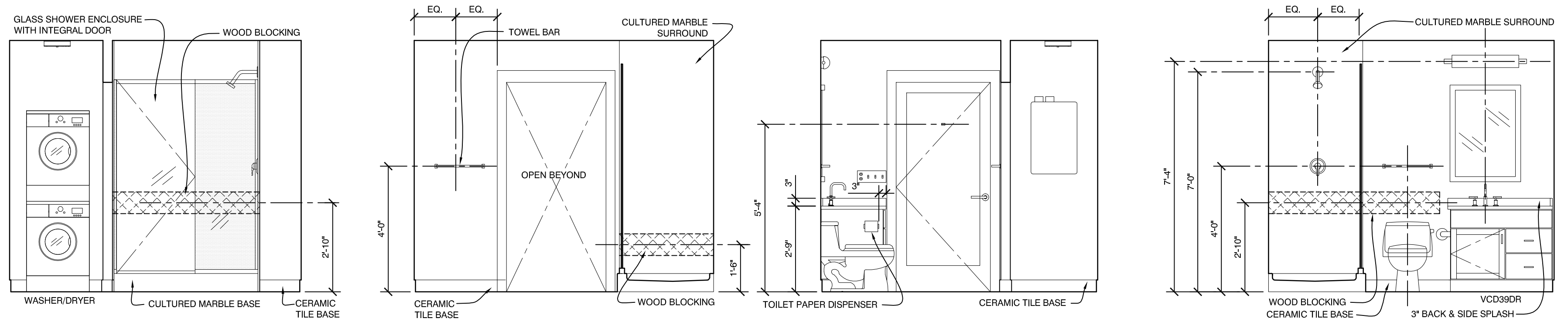


Monday, May 09, 2016 10:12:17 AM

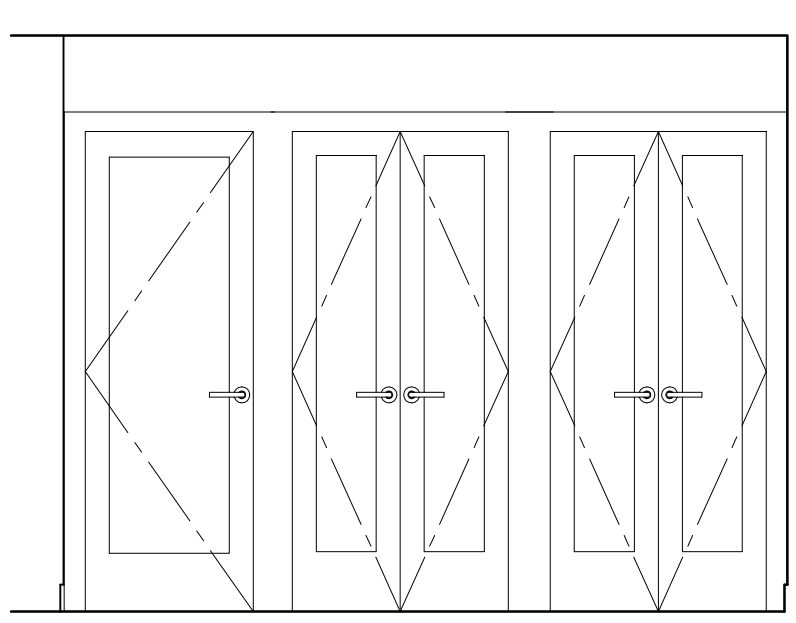
Copyright 2016 Opechee Construction Corporation



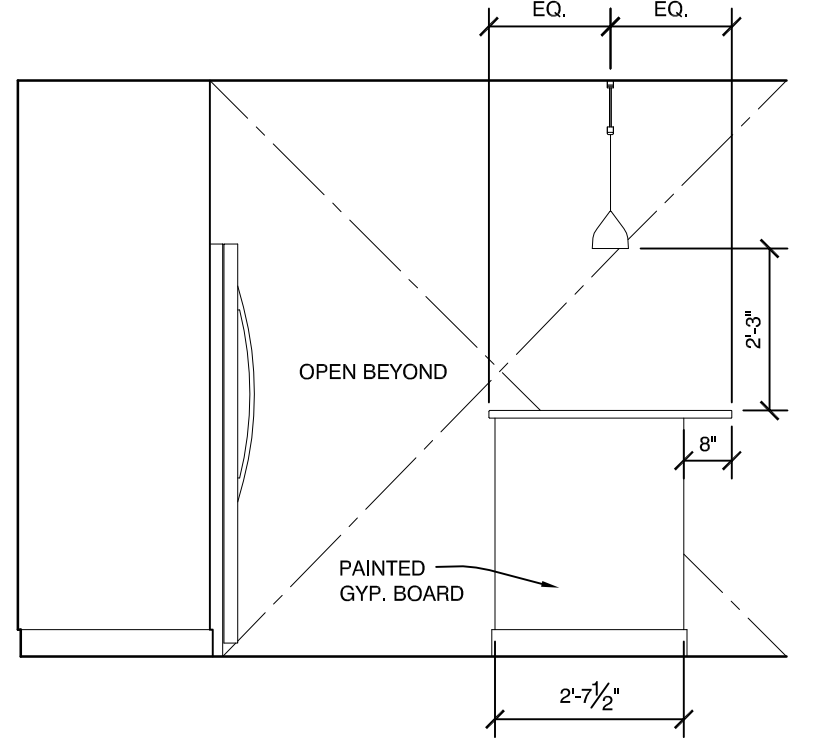
P ELEVATION - MASTER BATH 3/8" = 1'-0"
O ELEVATION - MASTER BATH 3/8" = 1'-0"
N ELEVATION - MASTER BATH 3/8" = 1'-0"
M ELEVATION - MASTER BATH 3/8" = 1'-0"
L ELEVATION - MASTER BATH 3/8" = 1'-0"



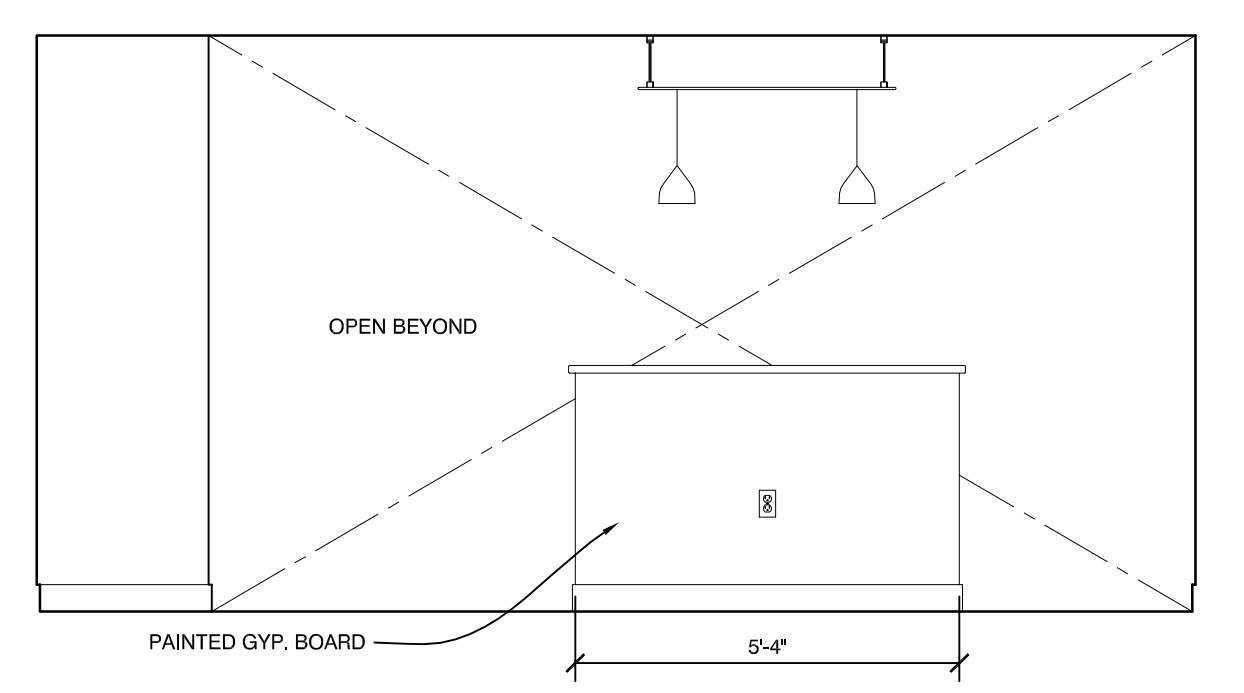
K ELEVATION - BATH 3/8" = 1'-0"
J ELEVATION - BATH 3/8" = 1'-0"
I ELEVATION - BATH 3/8" = 1'-0"
H ELEVATION - BATH 3/8" = 1'-0"



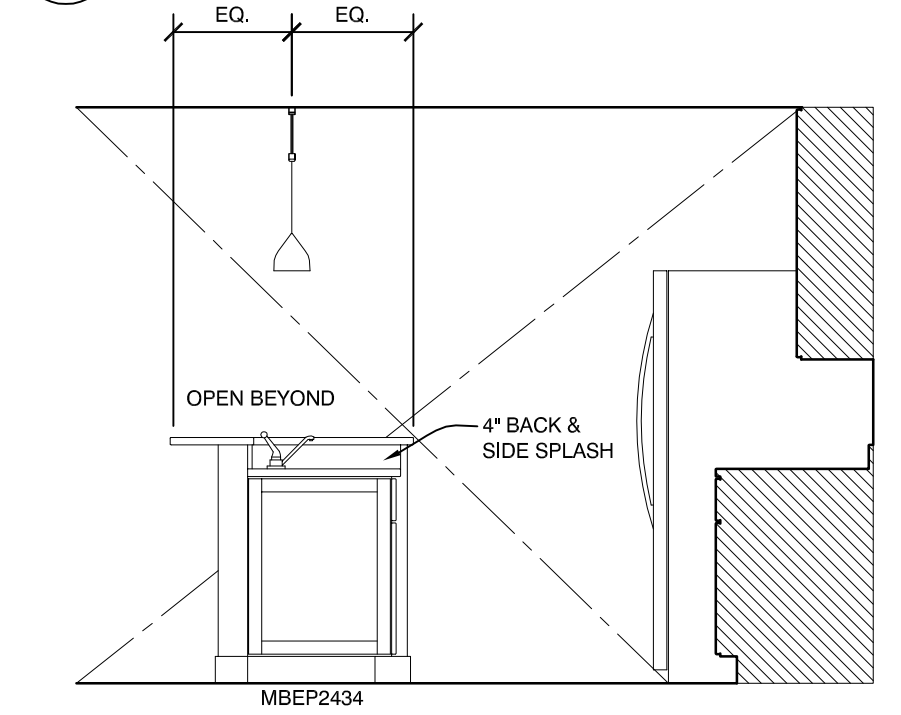
G ELEVATION - KITCHEN CLOSET 3/8" = 1'-0"



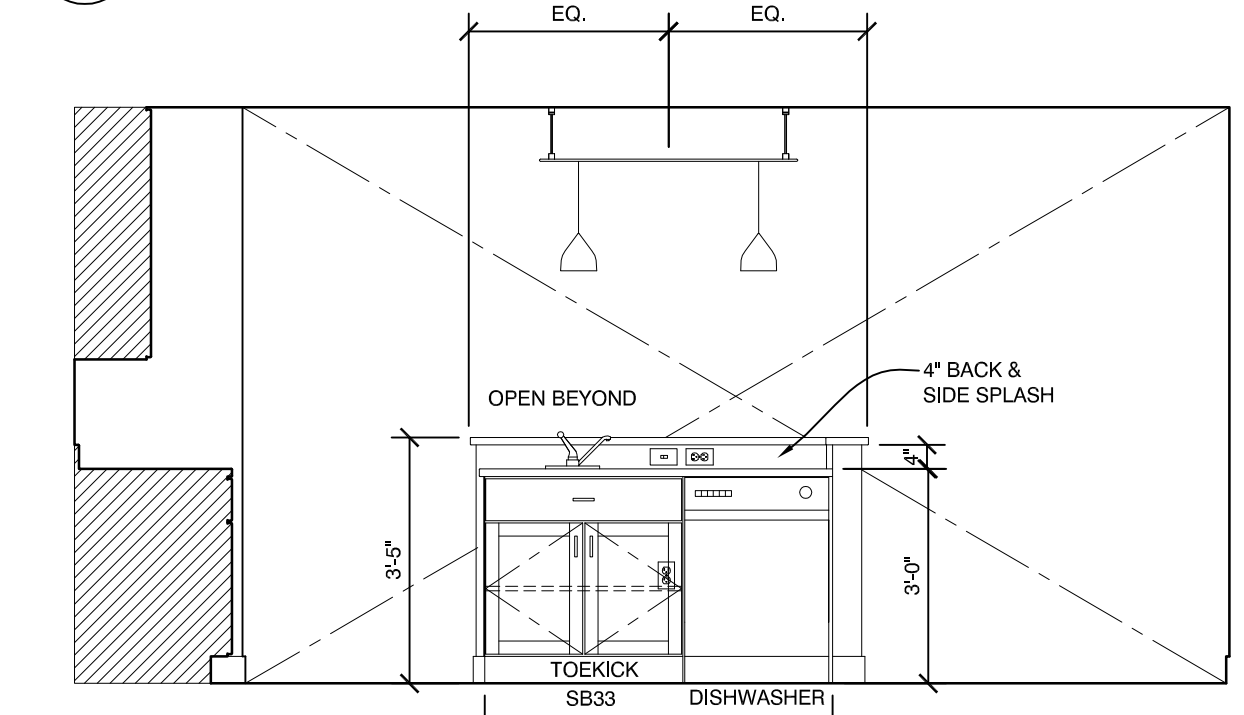
F ELEVATION - KITCHEN ISLAND 3/8" = 1'-0"



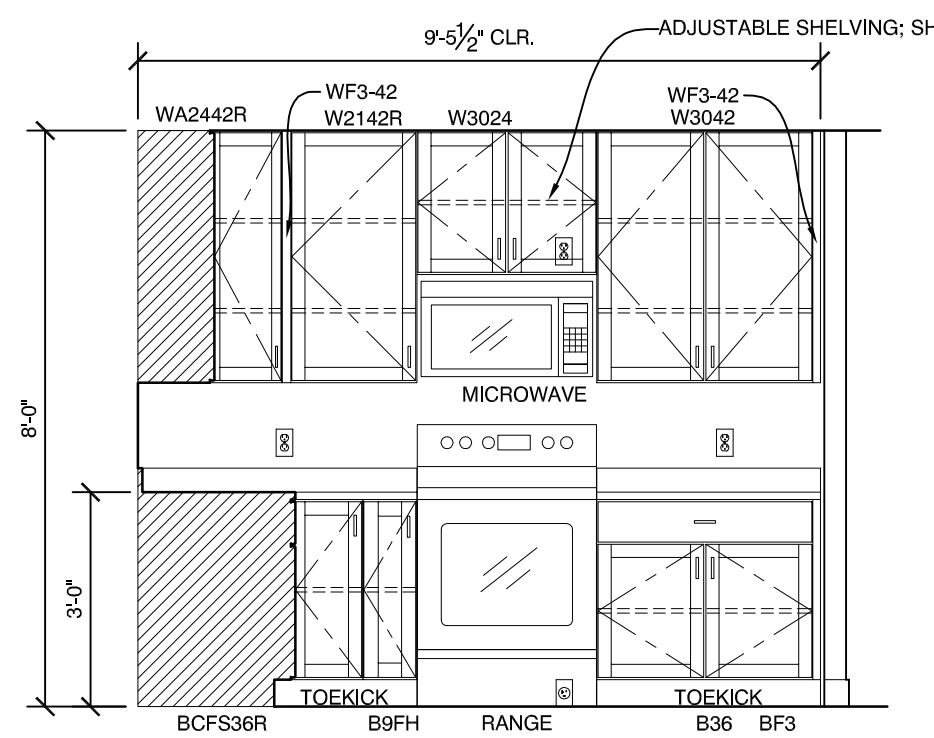
E ELEVATION - KITCHEN ISLAND 3/8" = 1'-0"



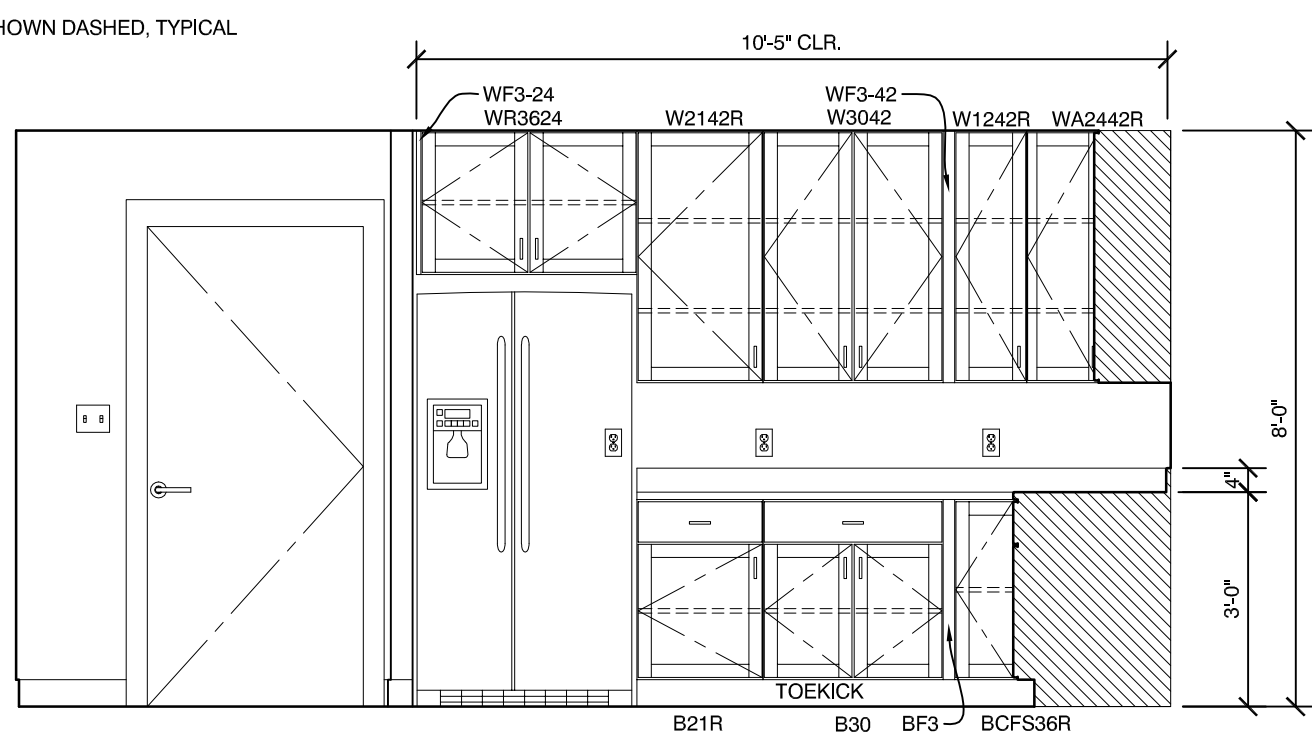
D ELEVATION - KITCHEN ISLAND 3/8" = 1'-0"



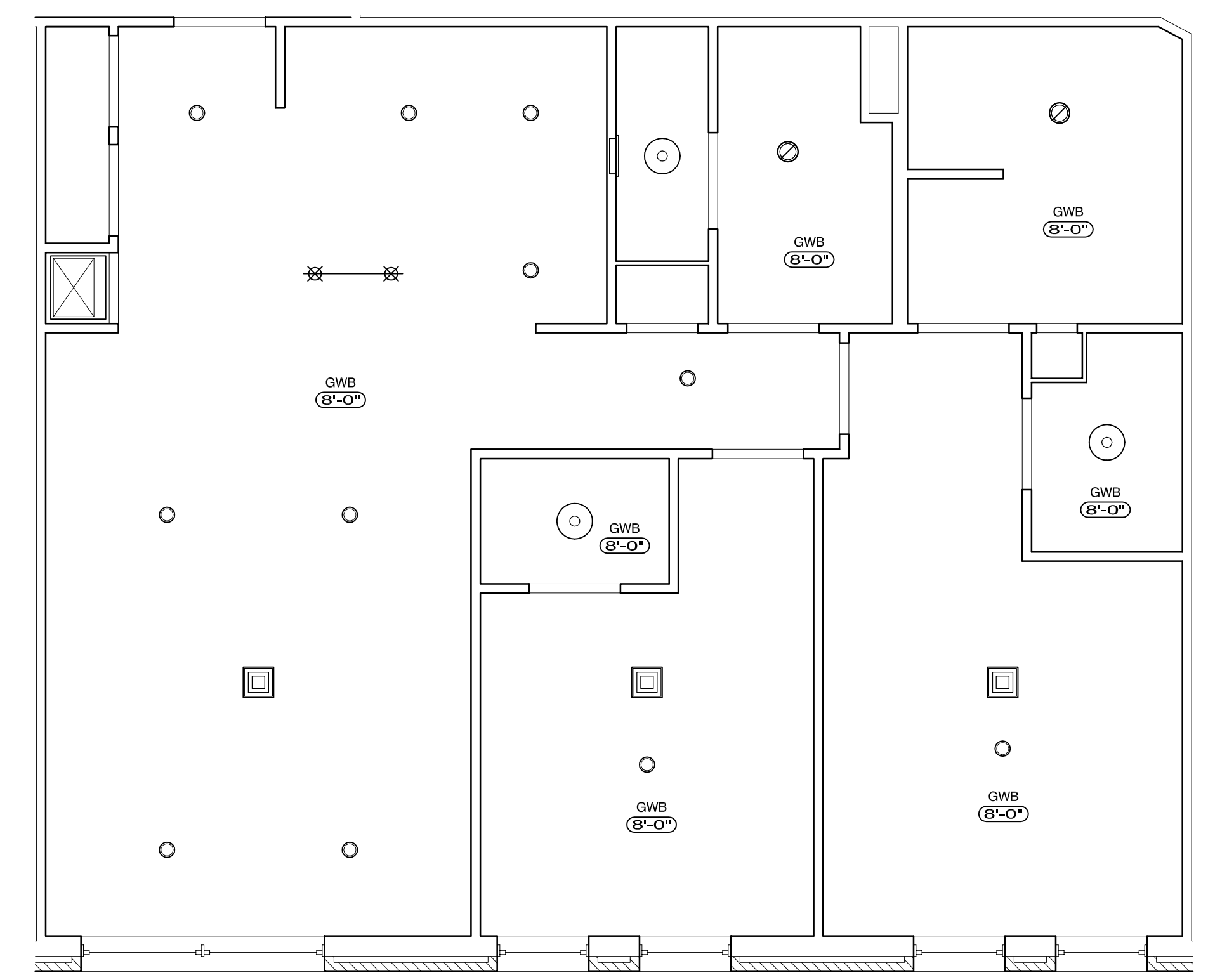
C ELEVATION - KITCHEN ISLAND 3/8" = 1'-0"



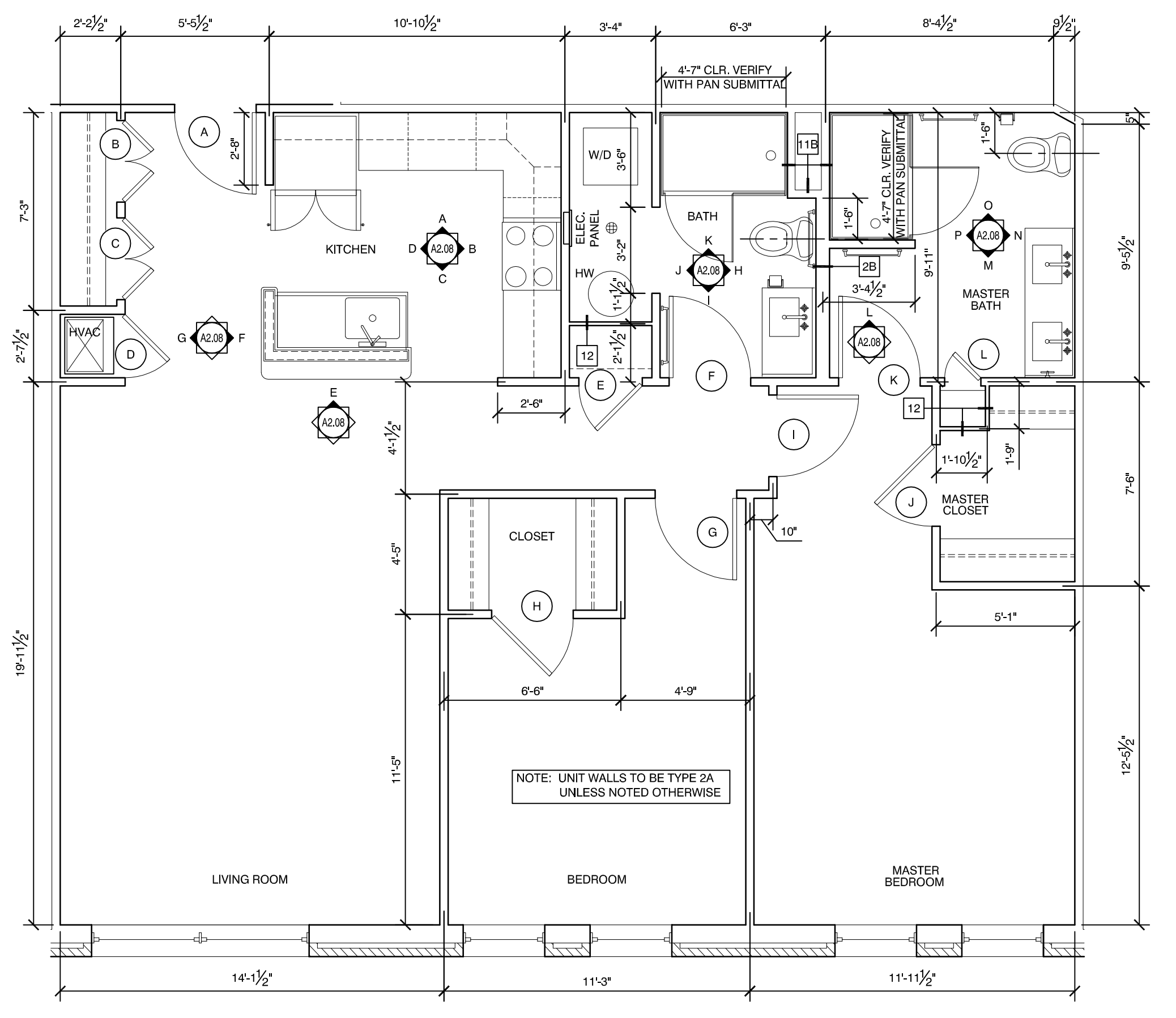
B ELEVATION - KITCHEN 3/8" = 1'-0"



A ELEVATION - KITCHEN 3/8" = 1'-0"



2 REFLECTED CEILING PLAN 1/4" = 1'-0"



1 ARCHITECTURAL PLAN 1/4" = 1'-0"; UNITS 216, 316, 416, 516

REVISION:

ISSUED:
 05-09-16 FOR BUILDING PERMIT

project architect: KAK
 drawn by: JLG

UNIT PLAN
B3
 sheet number:
A2.08