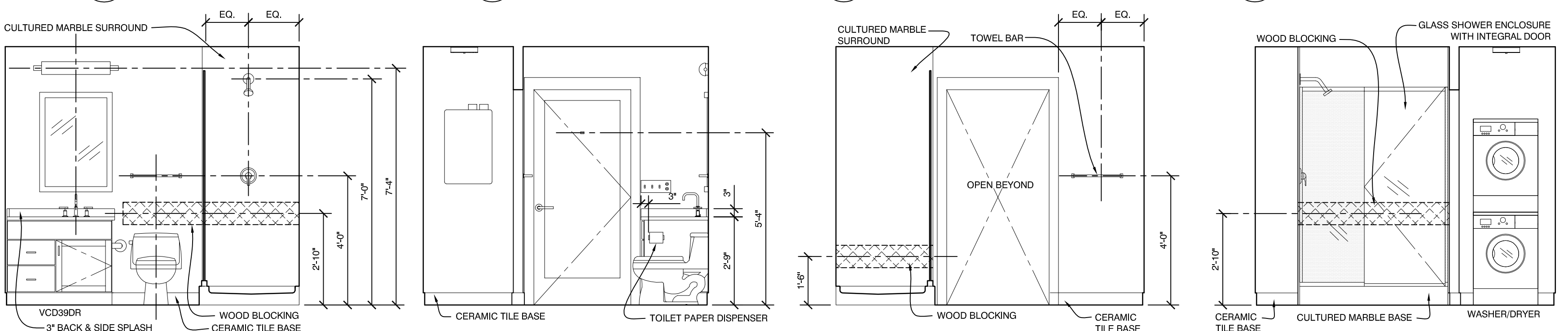
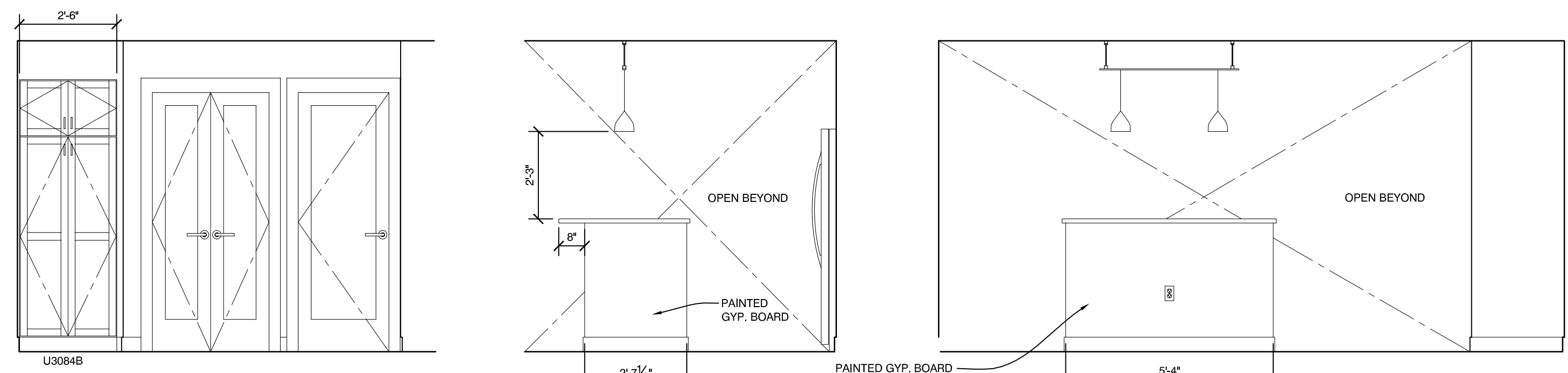


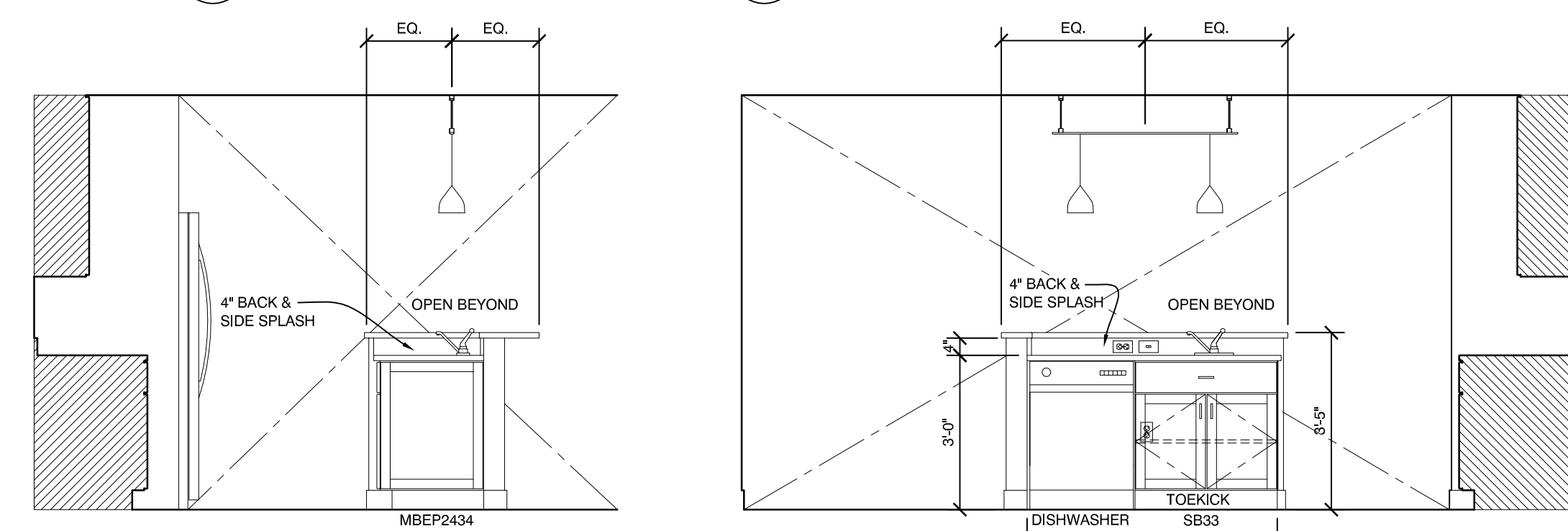
P ELEVATION - MASTER BATH 3/8" = 1'-0"
O ELEVATION - MASTER BATH 3/8" = 1'-0"
N ELEVATION - MASTER BATH 3/8" = 1'-0"
M ELEVATION - MASTER BATH 3/8" = 1'-0"
L ELEVATION - MASTER BATH 3/8" = 1'-0"



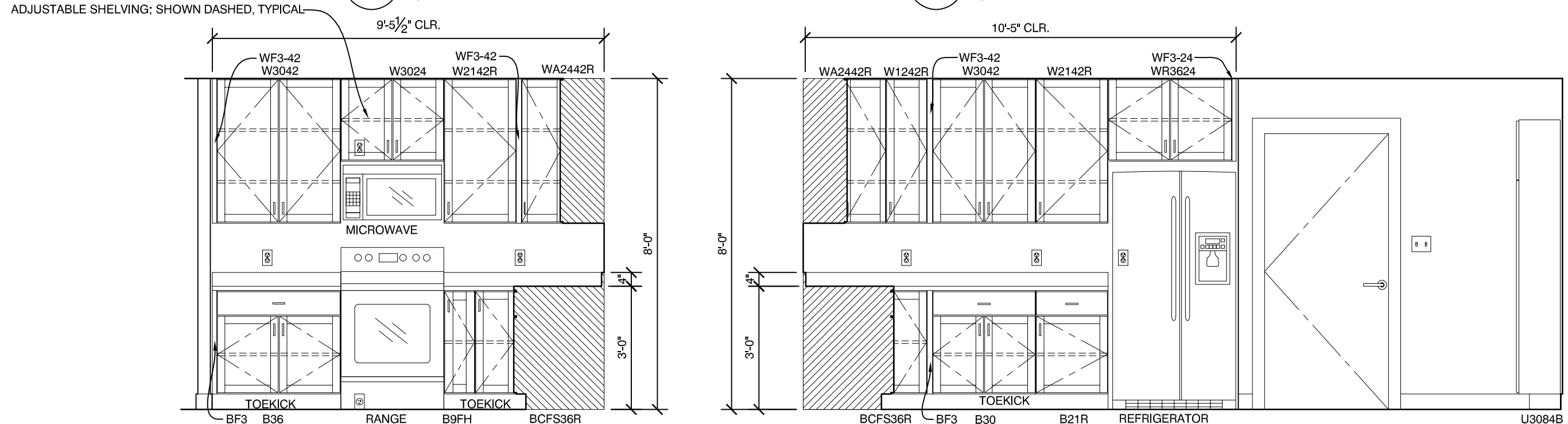
K ELEVATION - BATH 3/8" = 1'-0"
J ELEVATION - BATH 3/8" = 1'-0"
I ELEVATION - BATH 3/8" = 1'-0"
H ELEVATION - BATH 3/8" = 1'-0"



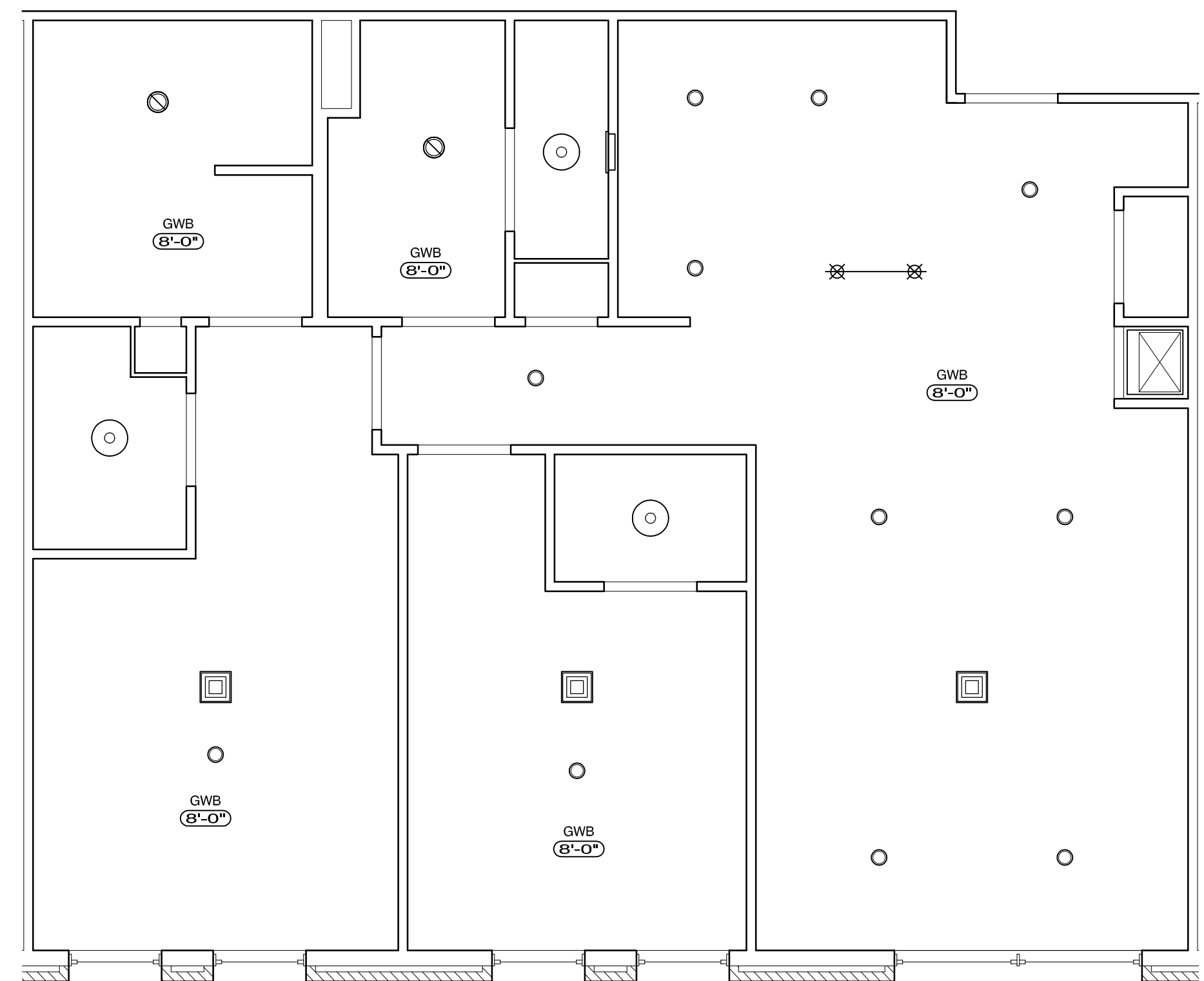
G ELEVATION - KITCHEN 3/8" = 1'-0"
F ELEVATION - KITCHEN ISLAND 3/8" = 1'-0"
E ELEVATION - KITCHEN ISLAND 3/8" = 1'-0"



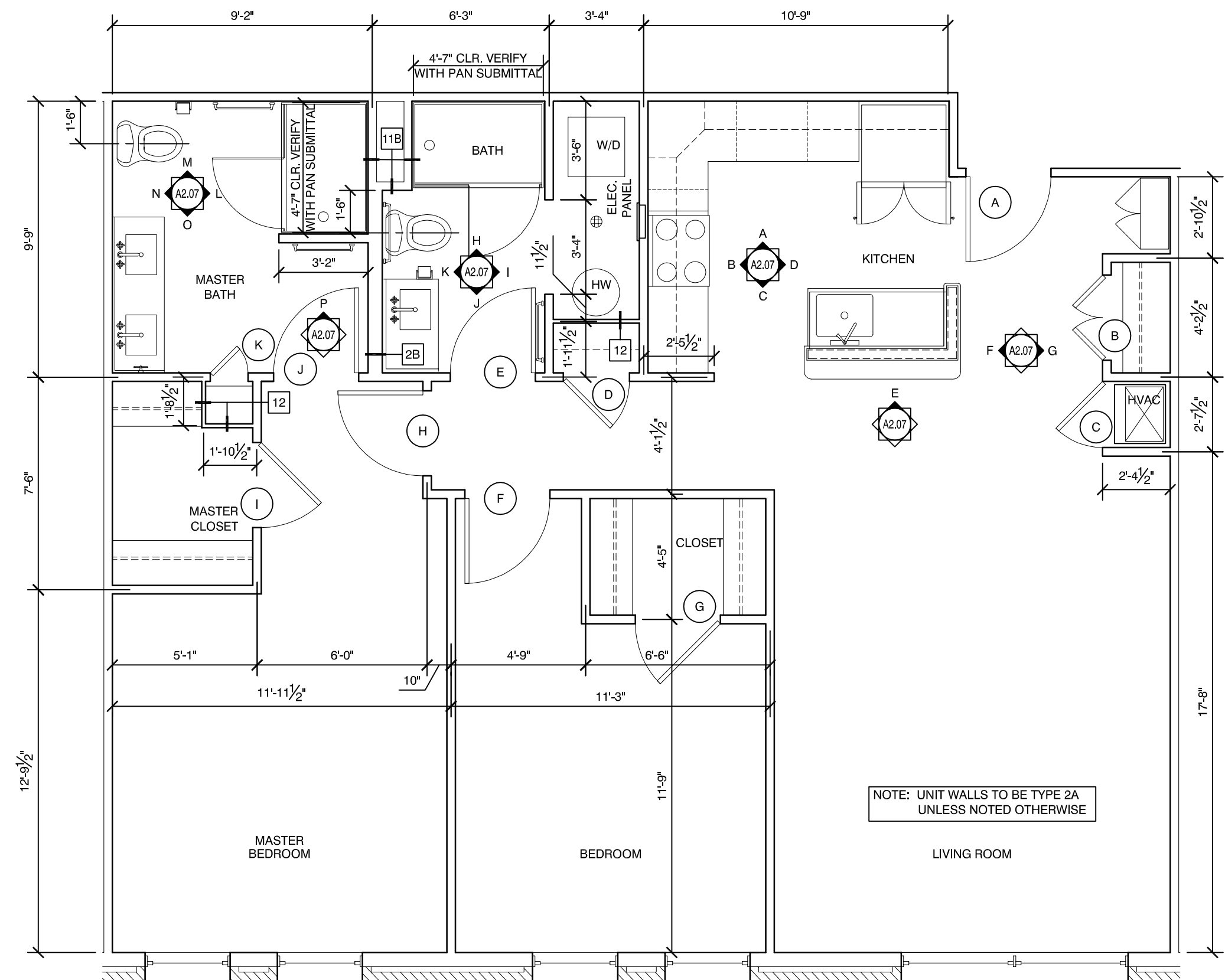
D ELEVATION - KITCHEN ISLAND 3/8" = 1'-0"
C ELEVATION - KITCHEN ISLAND 3/8" = 1'-0"



B ELEVATION - KITCHEN 3/8" = 1'-0"
A ELEVATION - KITCHEN 3/8" = 1'-0"



2 REFLECTED CEILING PLAN 1/4" = 1'-0"



1 ARCHITECTURAL PLAN 1/4" = 1'-0"; UNITS 208, 209, 309, 408, 409, 508, 509