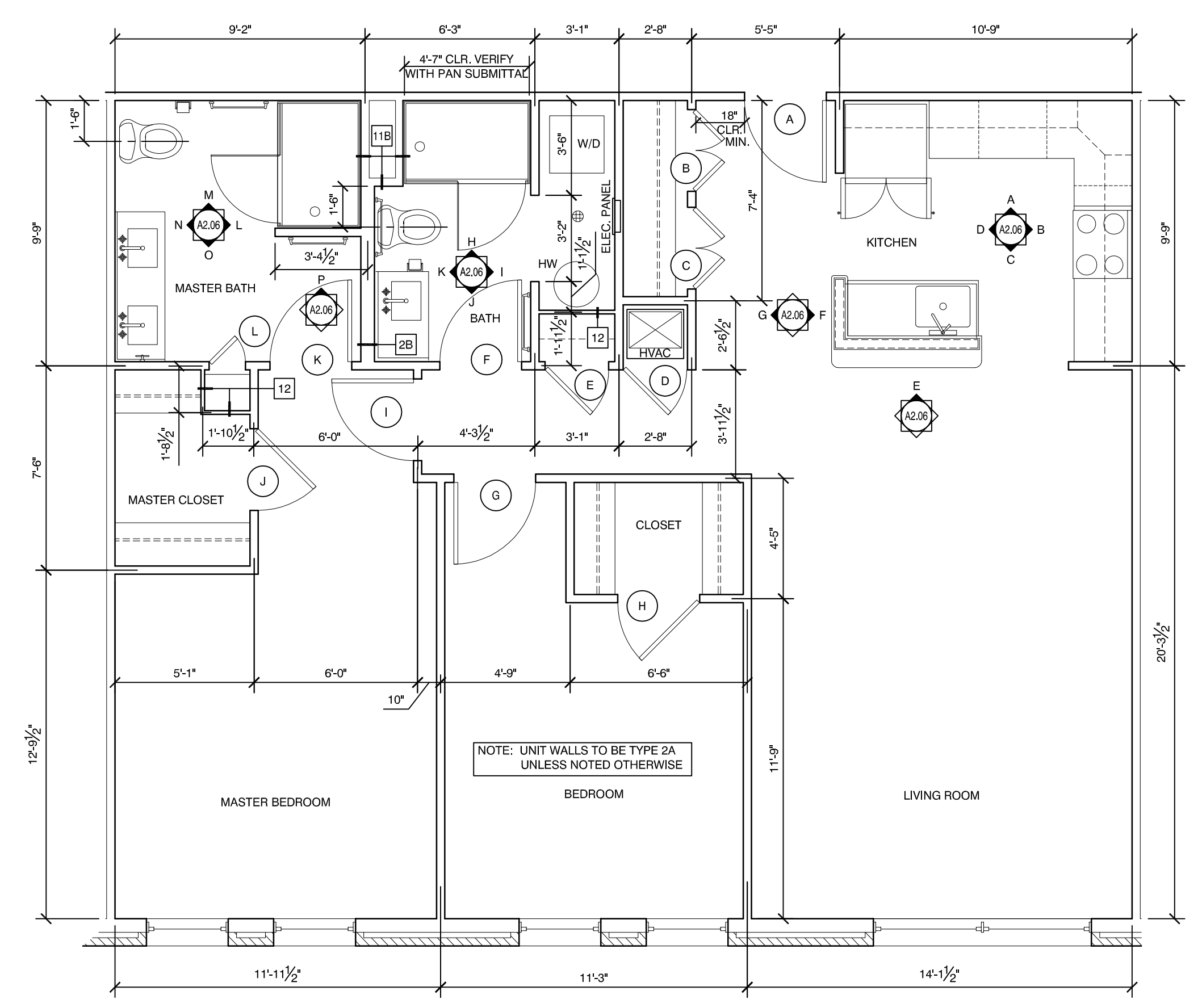
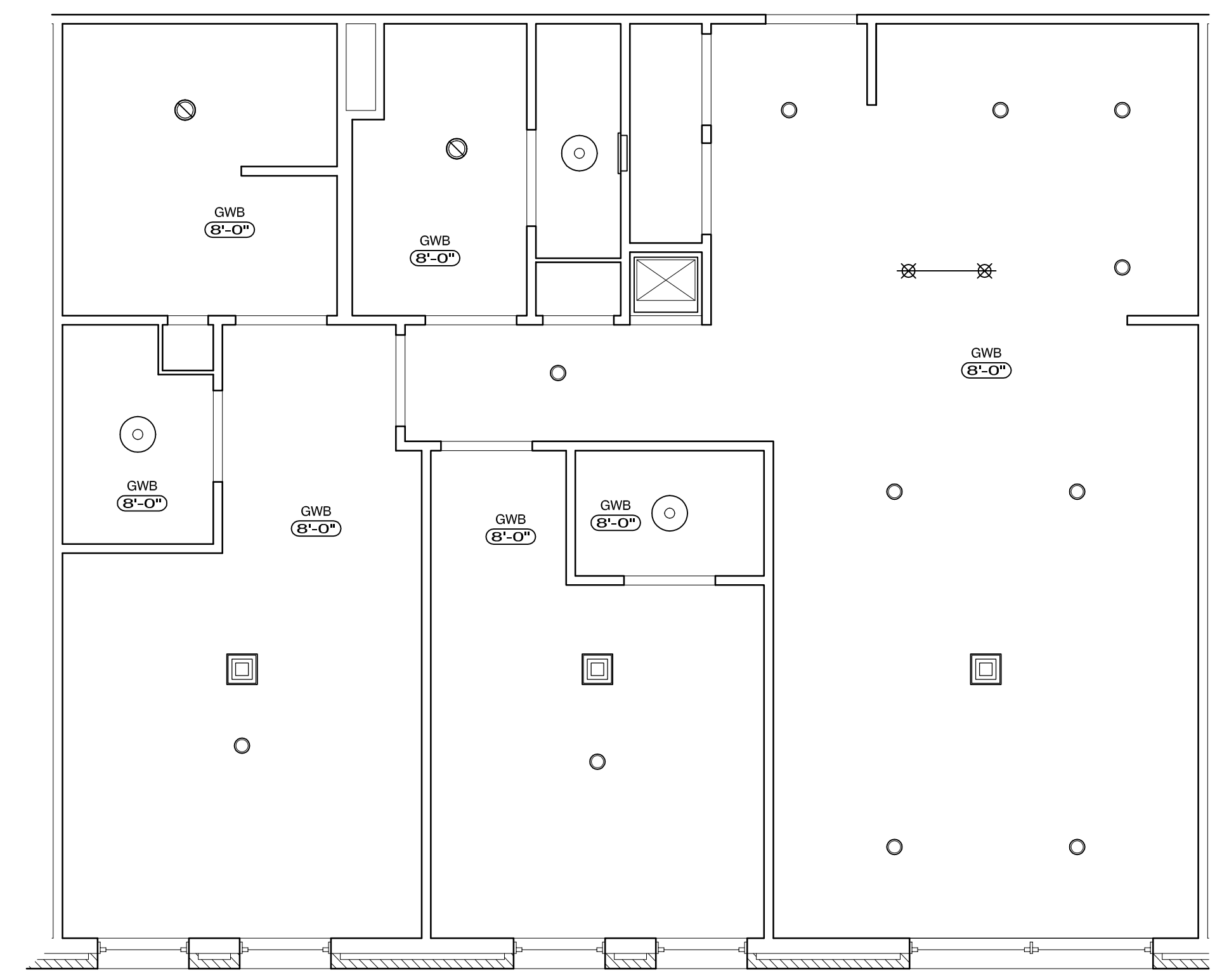
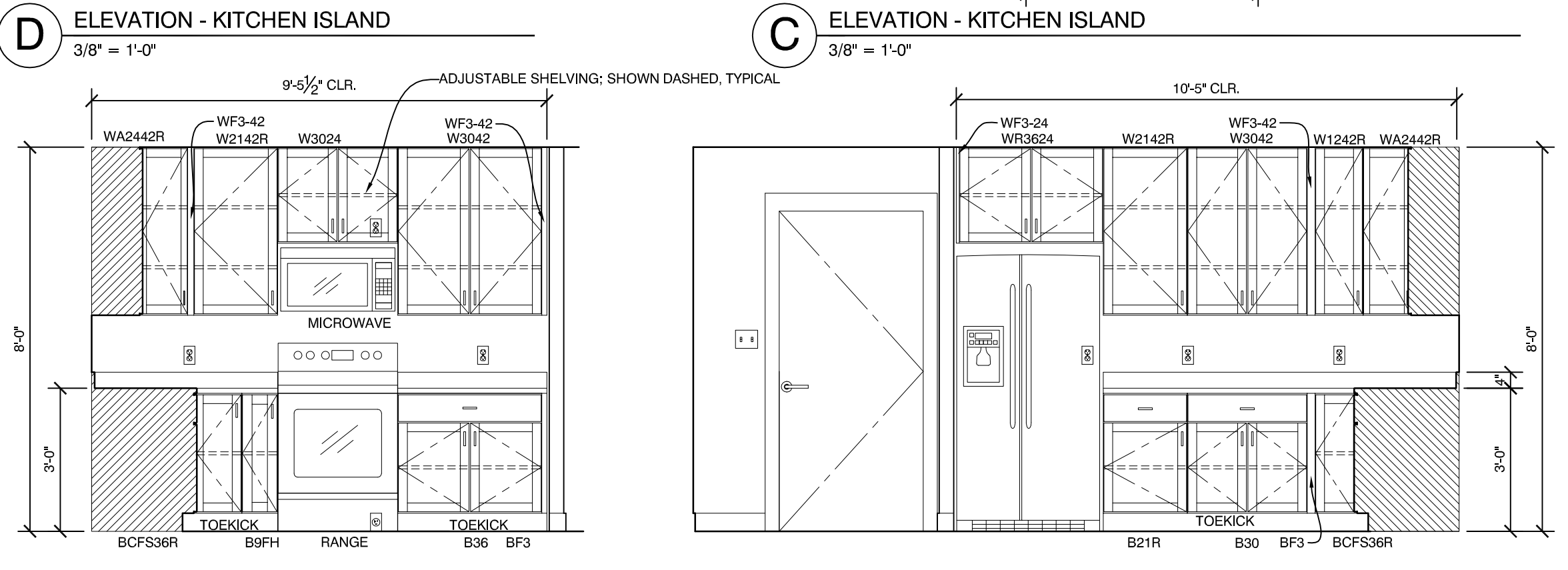
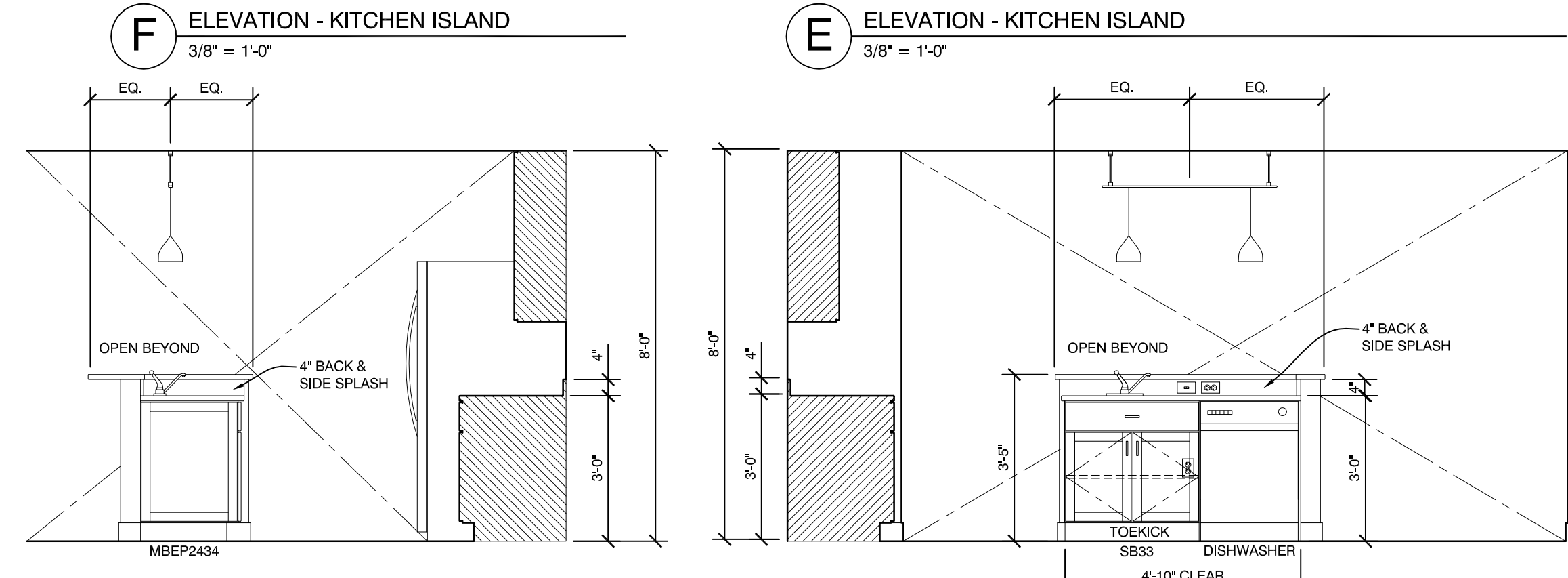
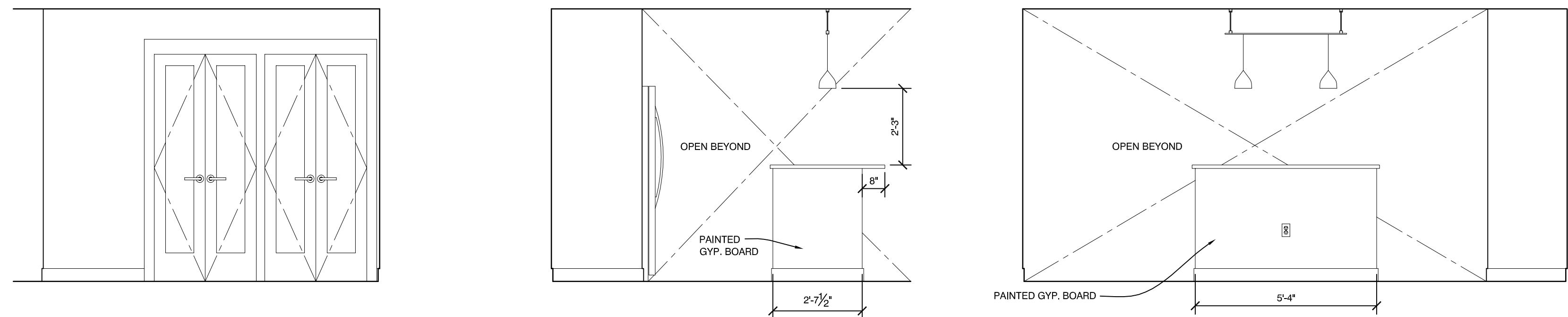
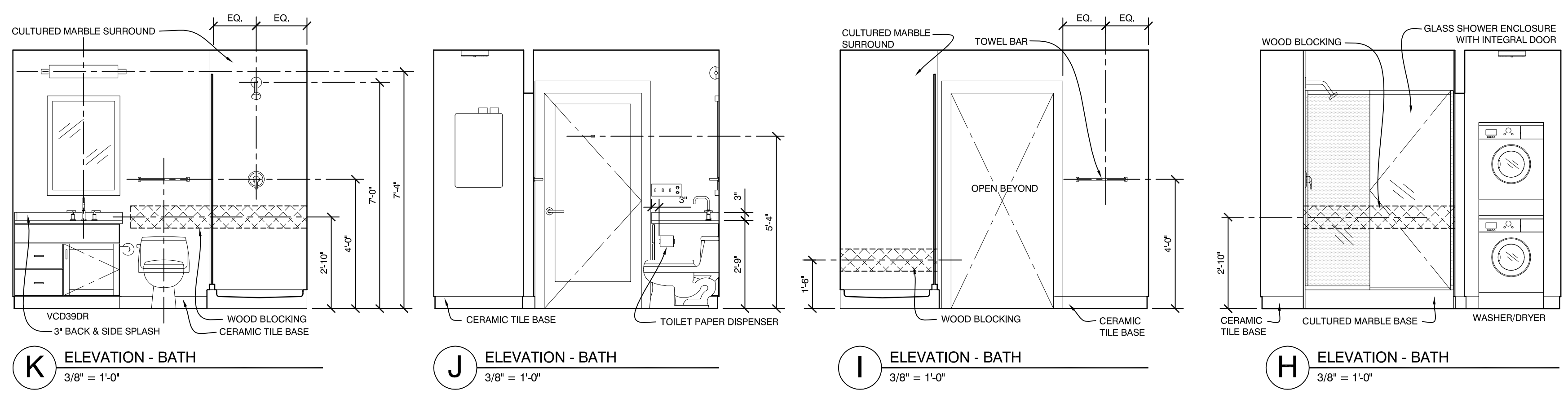
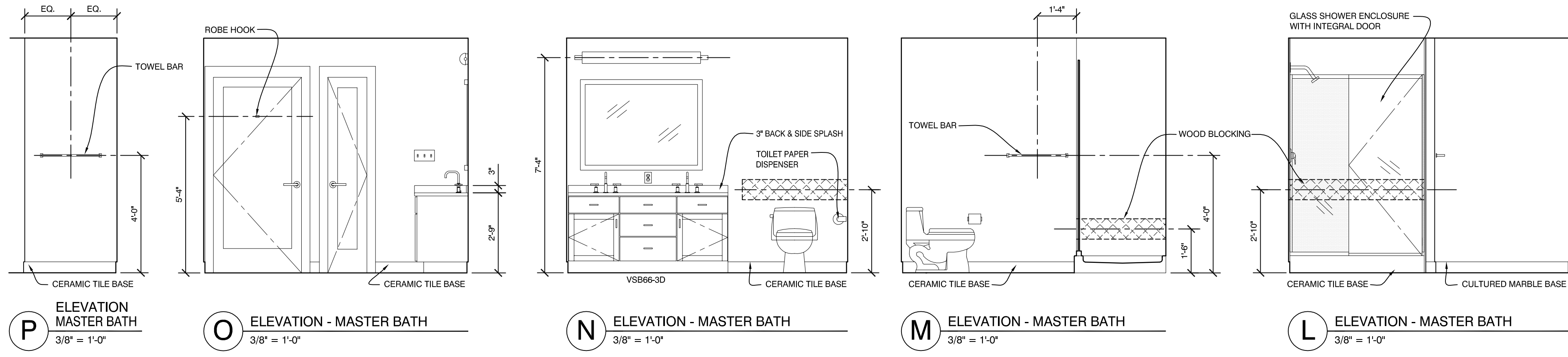


Monday, May 09, 2016 10:10:27 AM



REVISION:

ISSUED: 05-09-16 FOR BUILDING PERMIT

project architect: KAK  
drawn by: JLG

UNIT PLAN  
**B1**  
sheet number:

**A2.06**