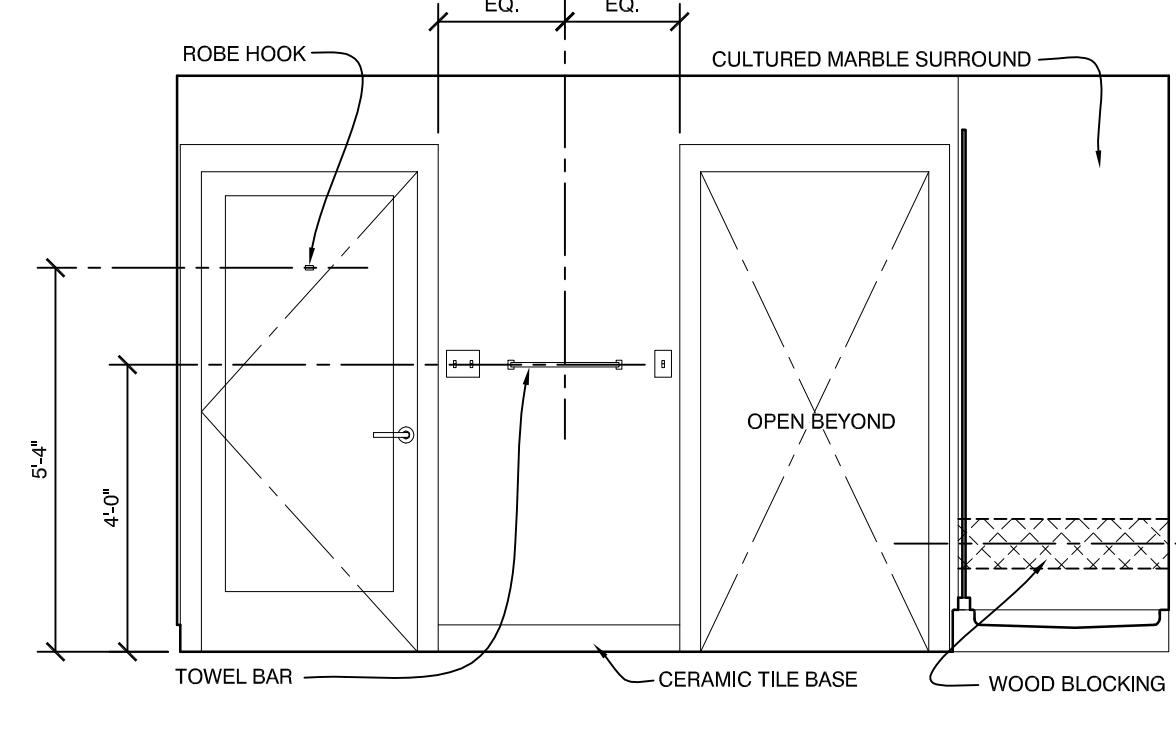
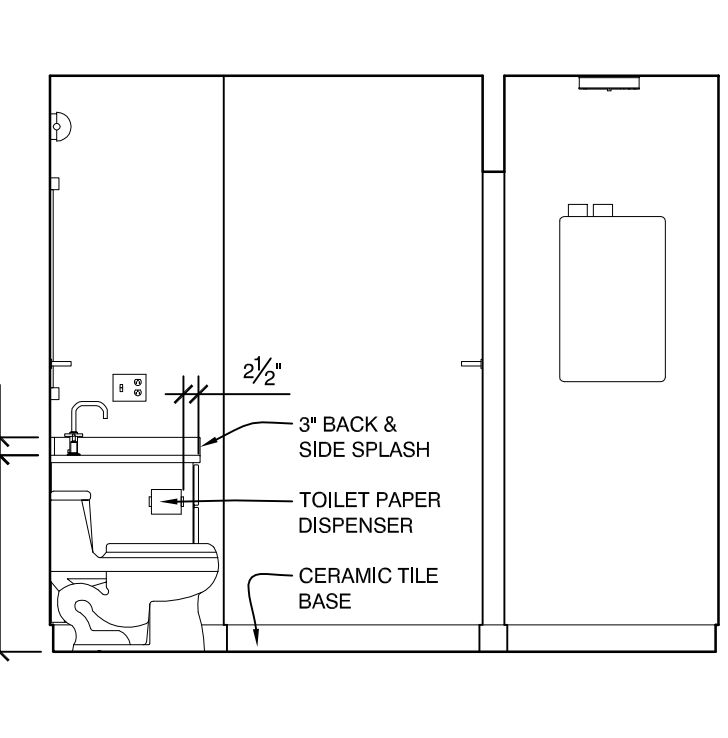


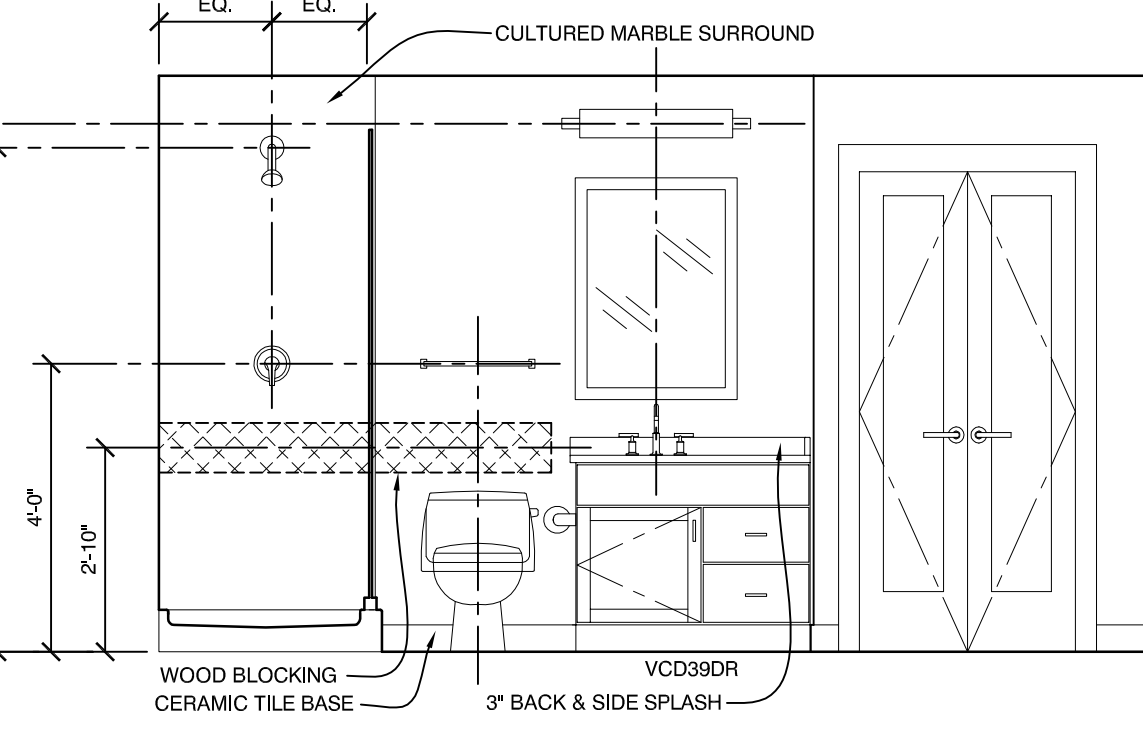
K ELEVATION - BATH
3/8" = 1'-0"



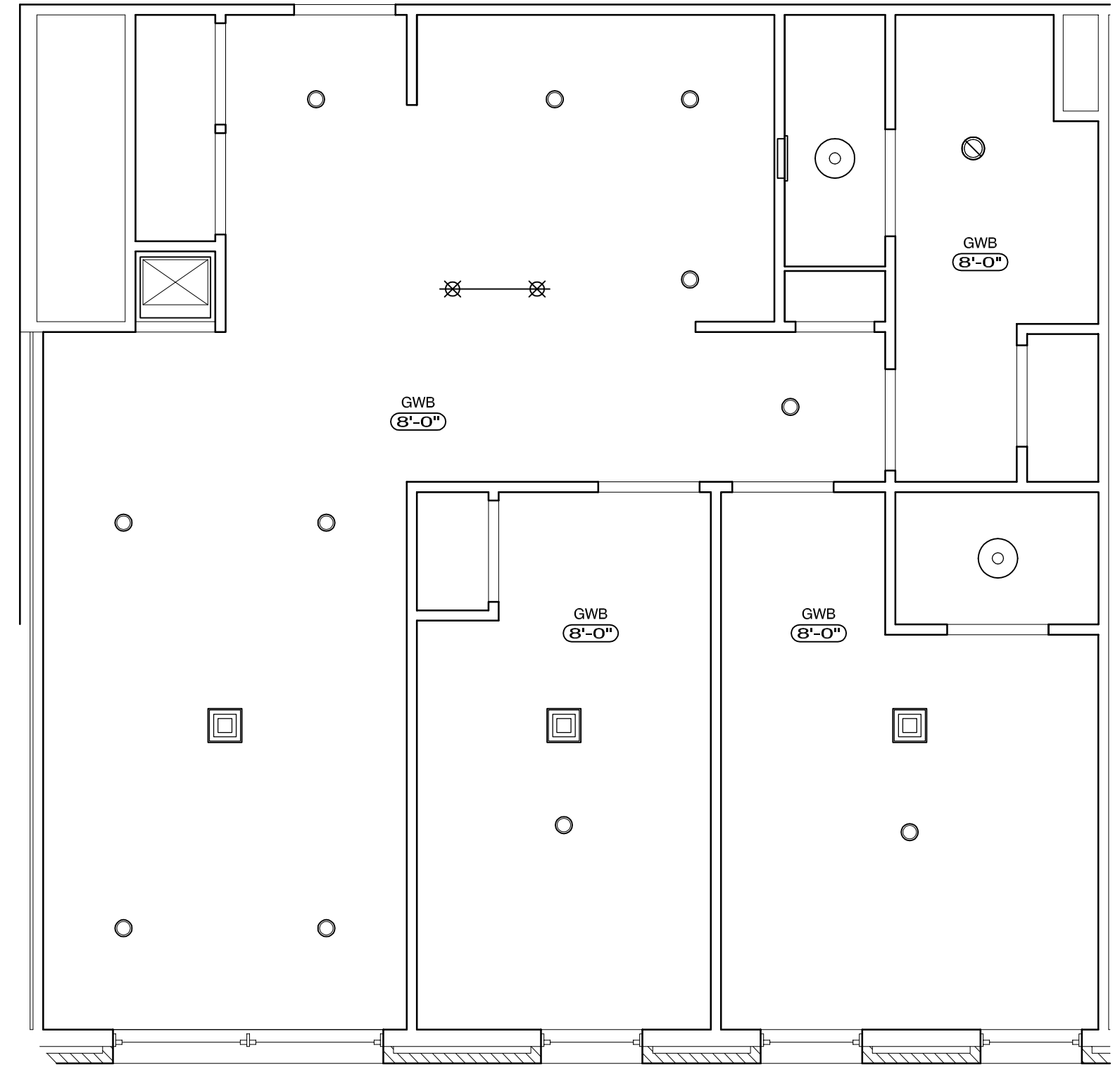
J ELEVATION - BATH
3/8" = 1'-0"



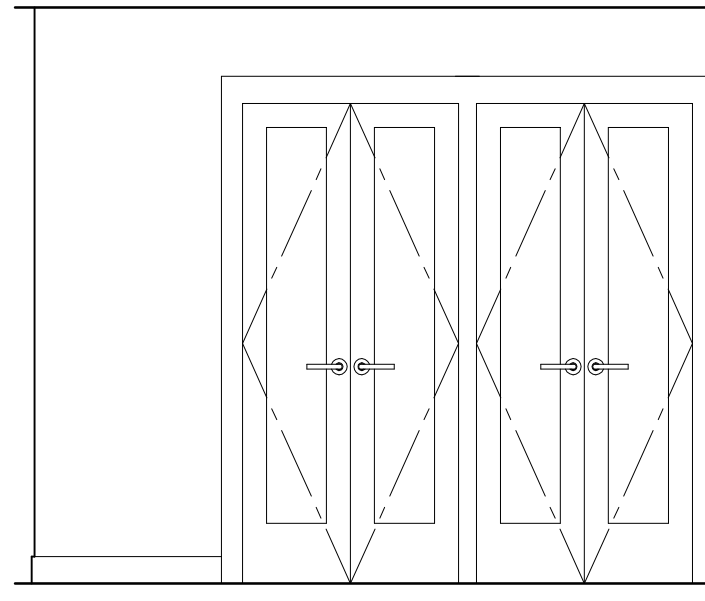
I ELEVATION - BATH
3/8" = 1'-0"



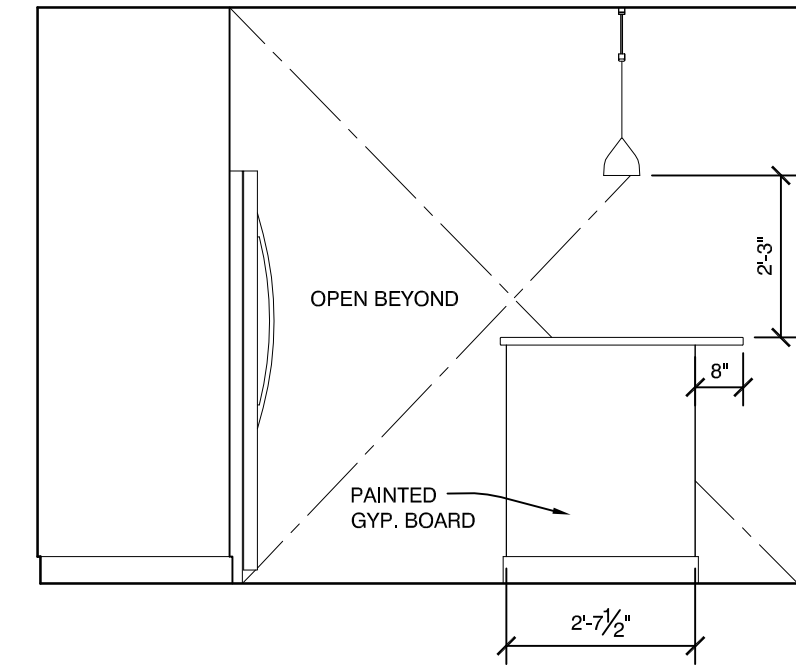
H ELEVATION - BATH
3/8" = 1'-0"



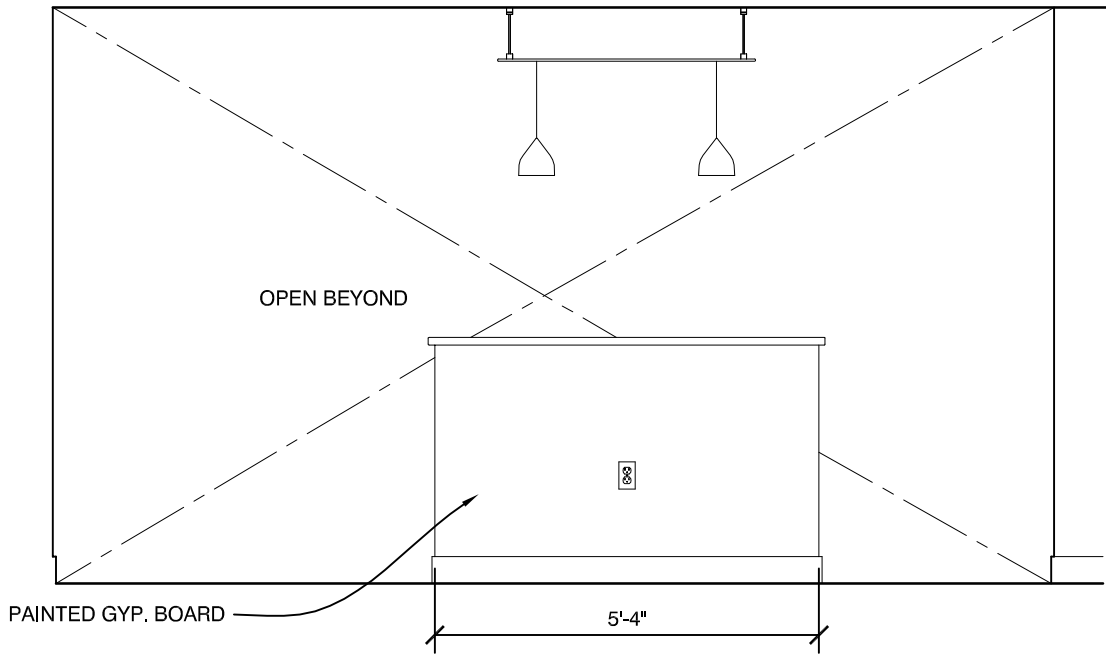
2 REFLECTED CEILING PLAN
1/4" = 1'-0"



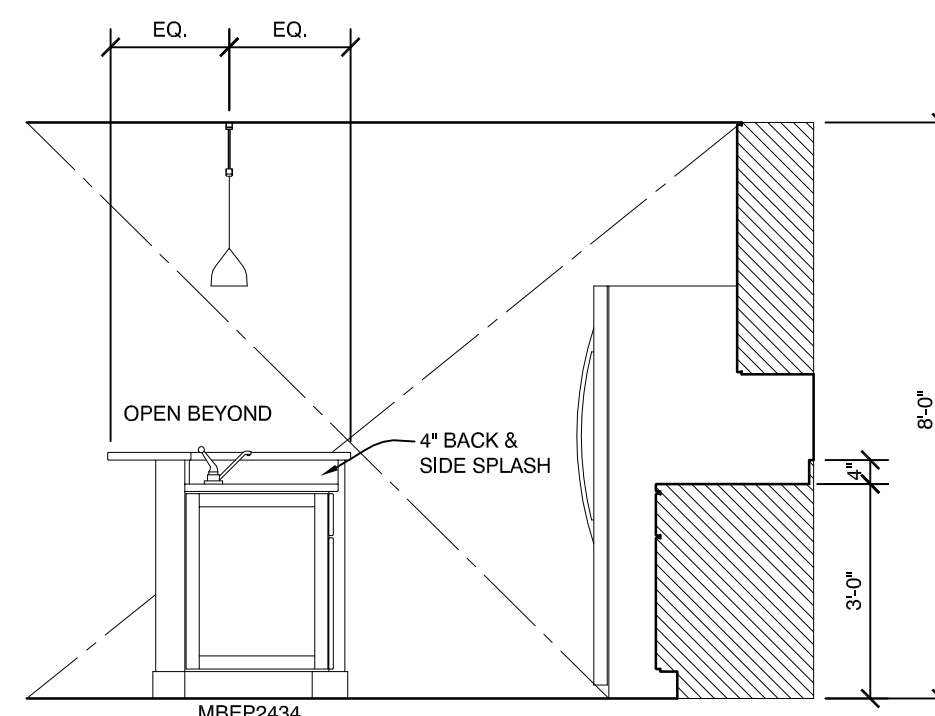
G ELEVATION - KITCHEN CLOSET
3/8" = 1'-0"



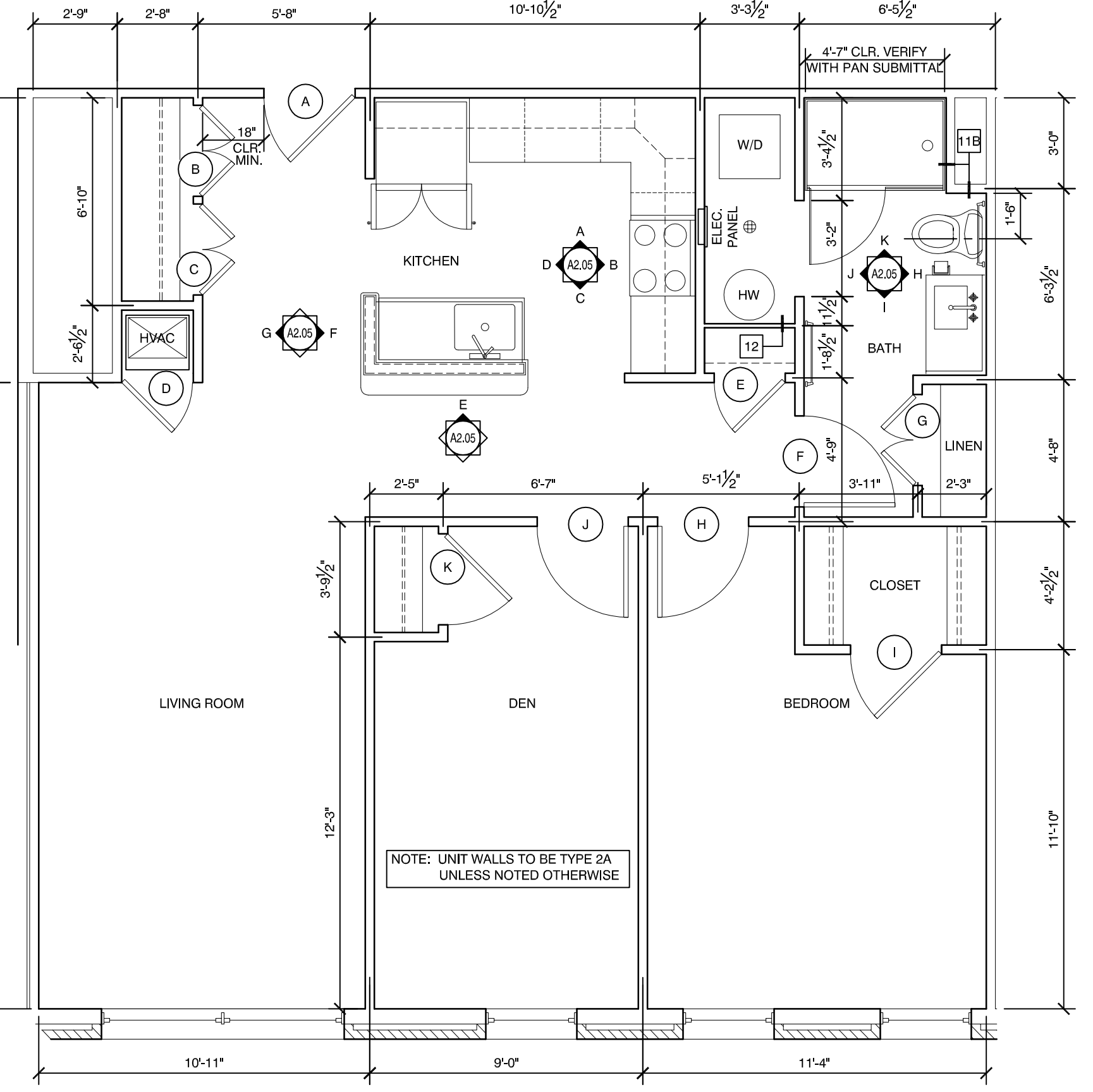
F ELEVATION - KITCHEN ISLAND
3/8" = 1'-0"



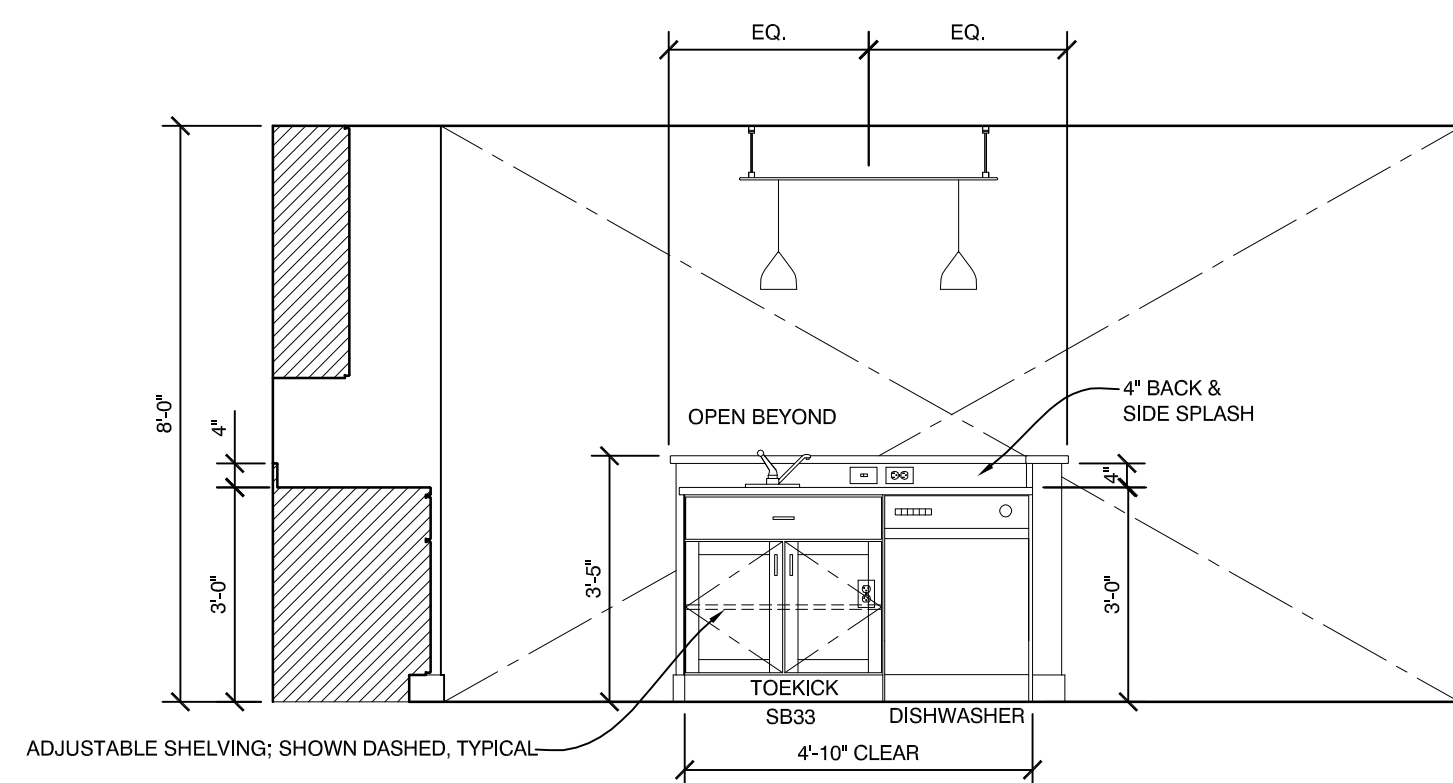
E ELEVATION - KITCHEN ISLAND
3/8" = 1'-0"



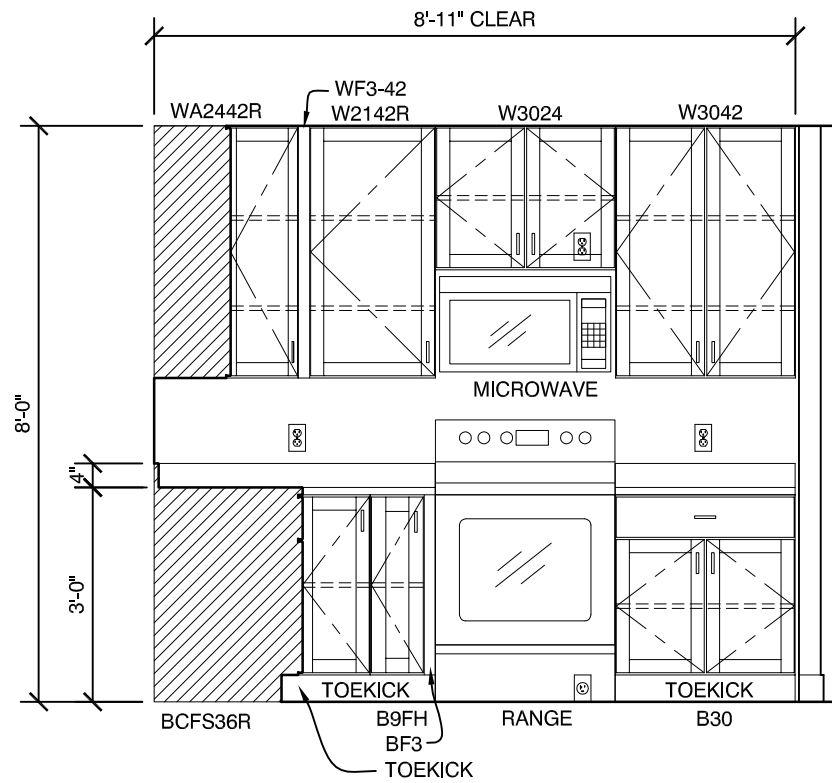
D ELEVATION - KITCHEN ISLAND
3/8" = 1'-0"



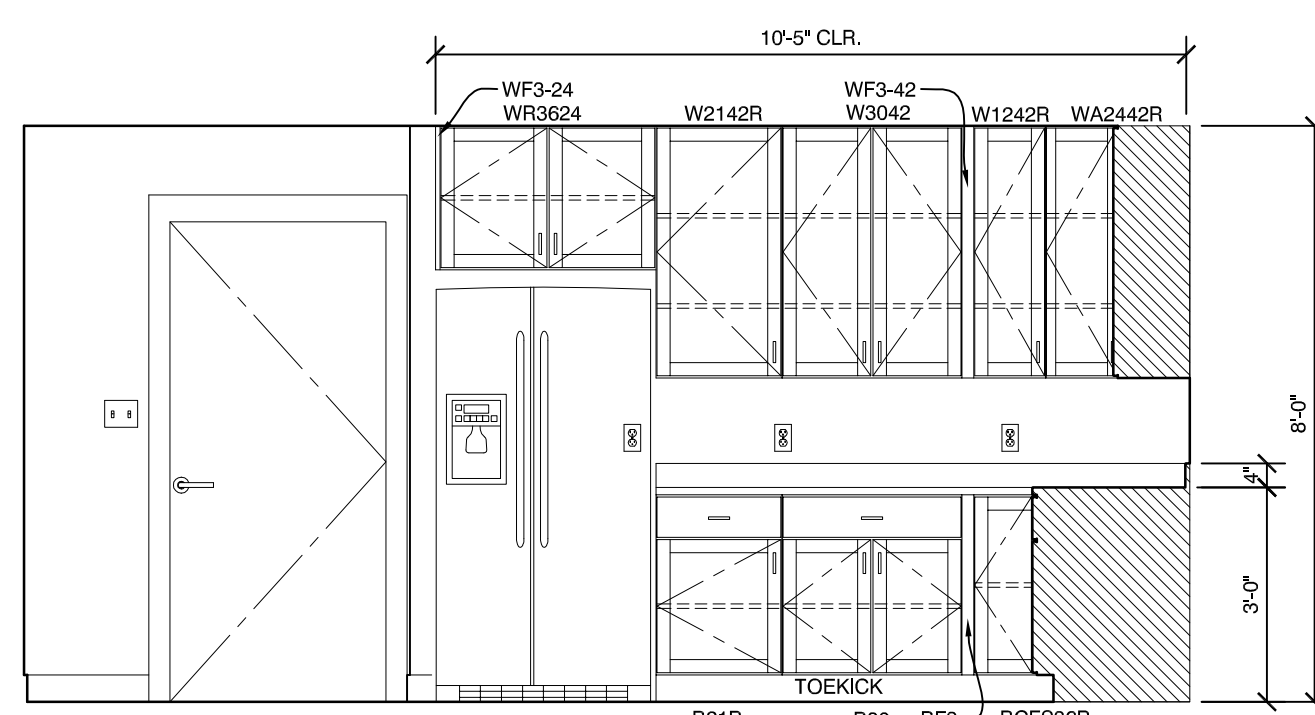
1 ARCHITECTURAL PLAN
1/4" = 1'-0"; UNITS 204, 304, 404



C ELEVATION - KITCHEN
3/8" = 1'-0"



B ELEVATION - KITCHEN
3/8" = 1'-0"



A ELEVATION - KITCHEN
3/8" = 1'-0"