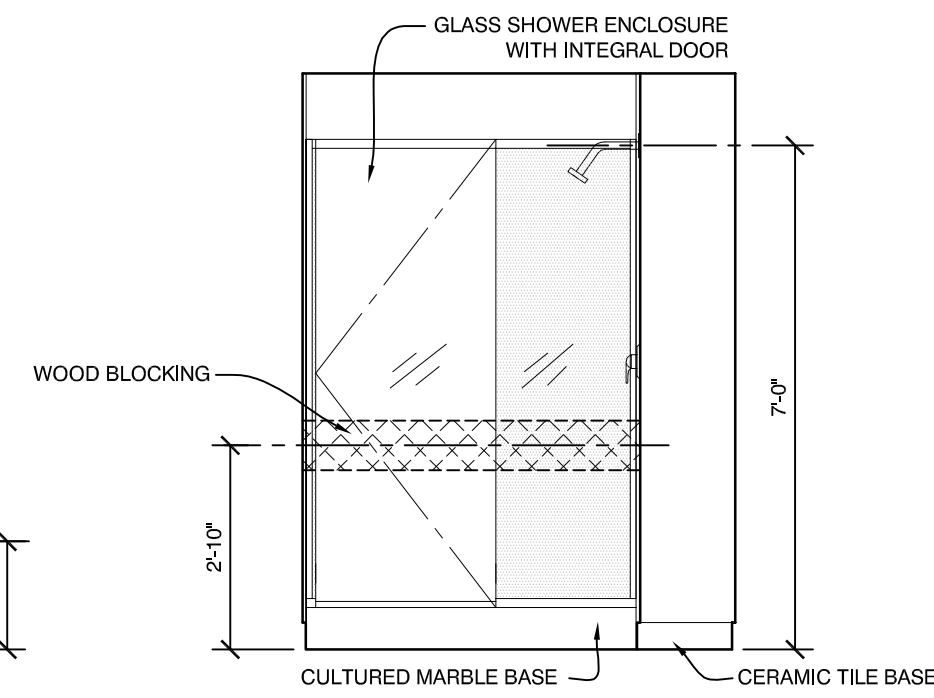
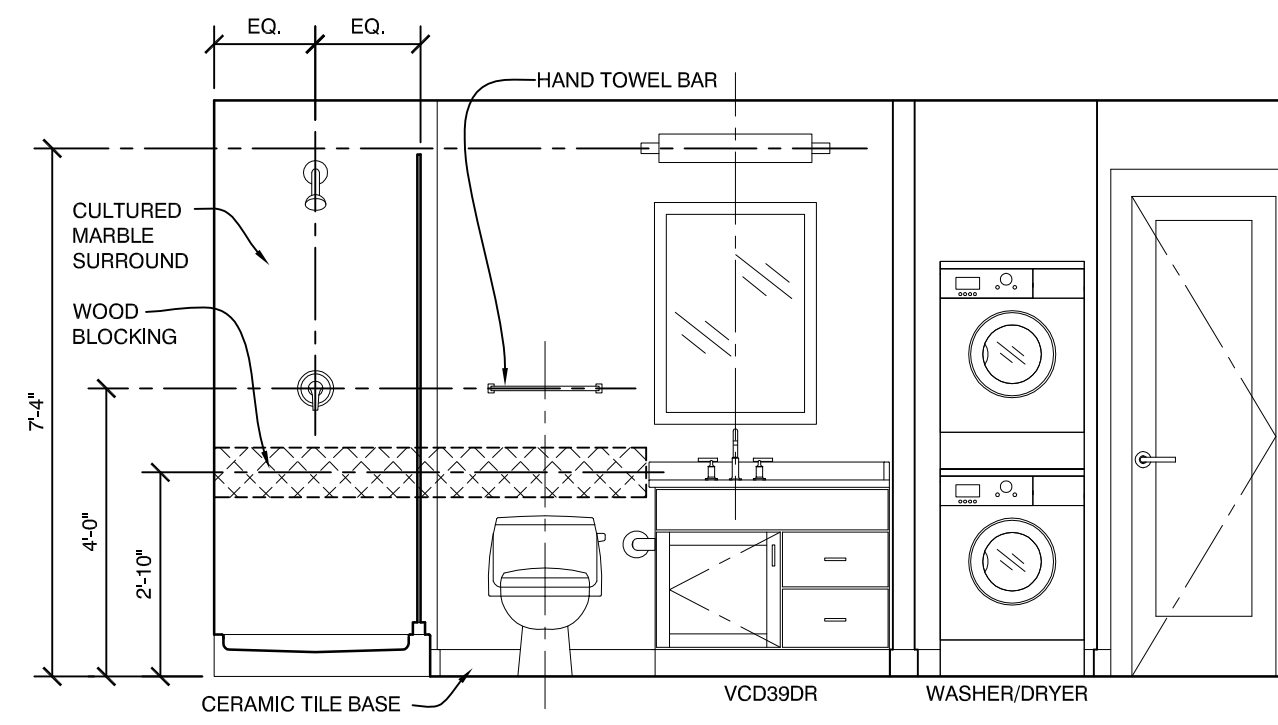


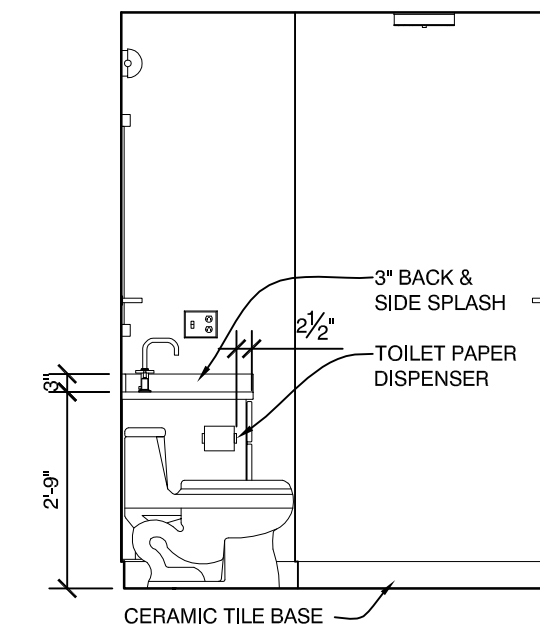
J ELEVATION - BATH
3/8" = 1'-0"



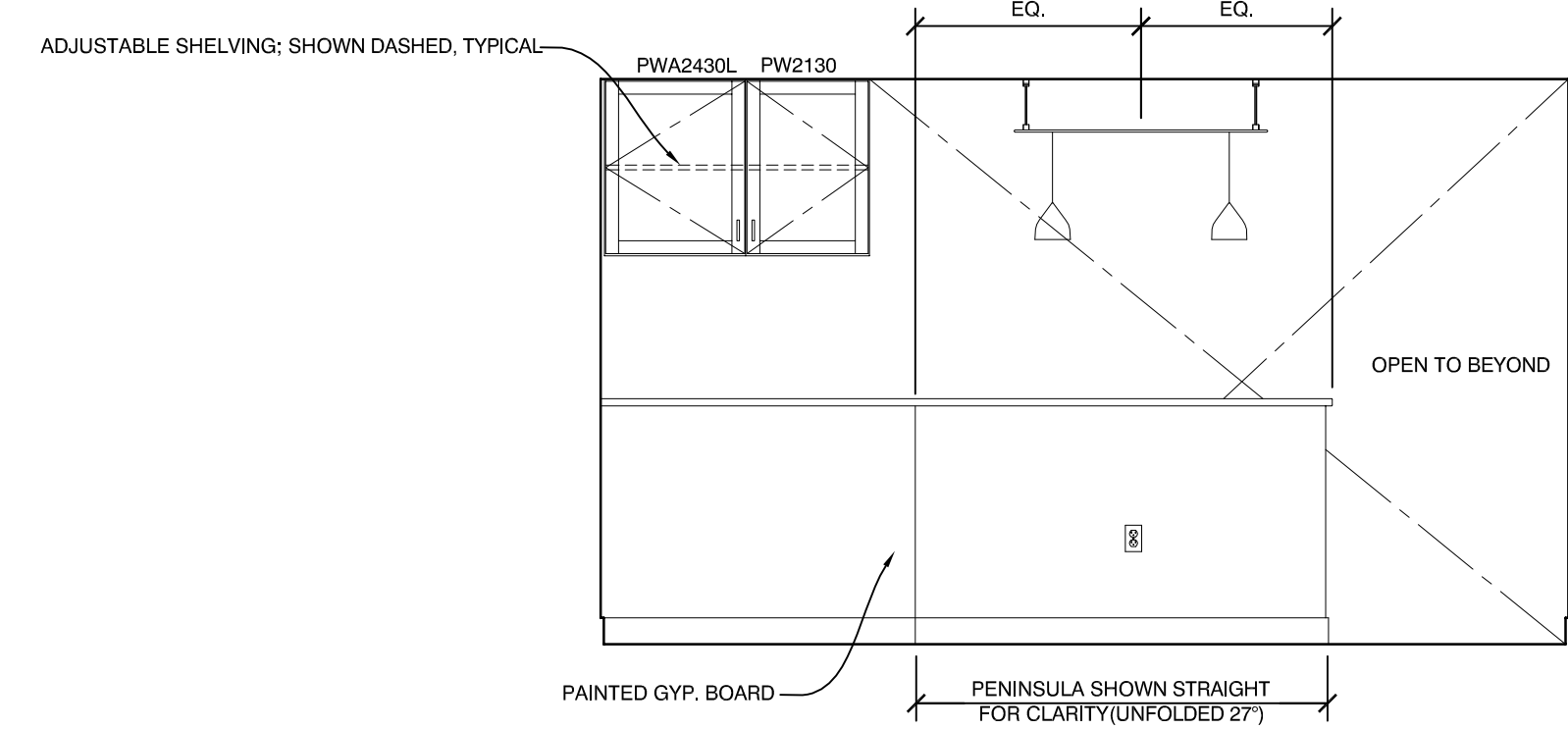
I ELEVATION - BATH
3/8" = 1'-0"



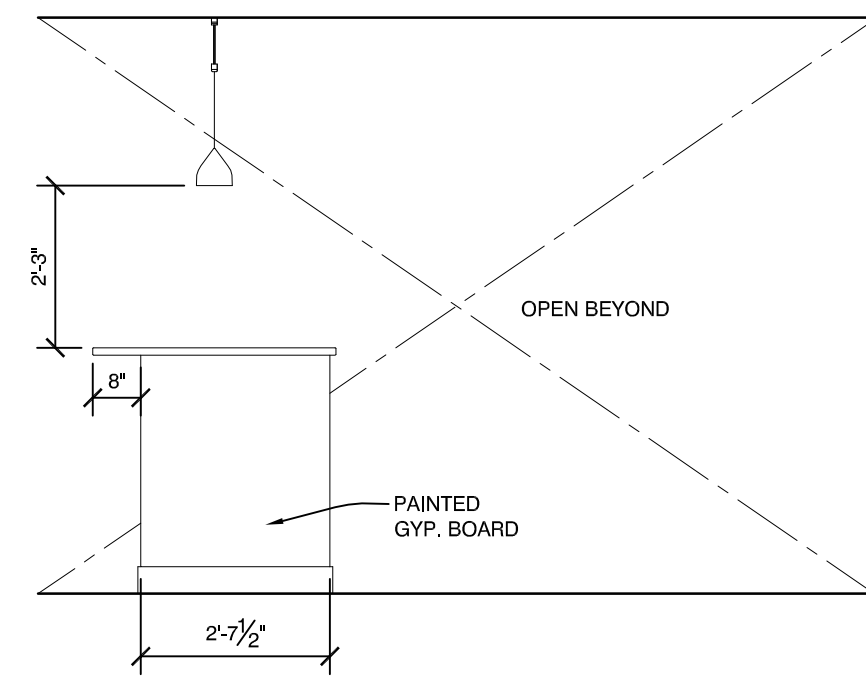
H ELEVATION - BATH
3/8" = 1'-0"



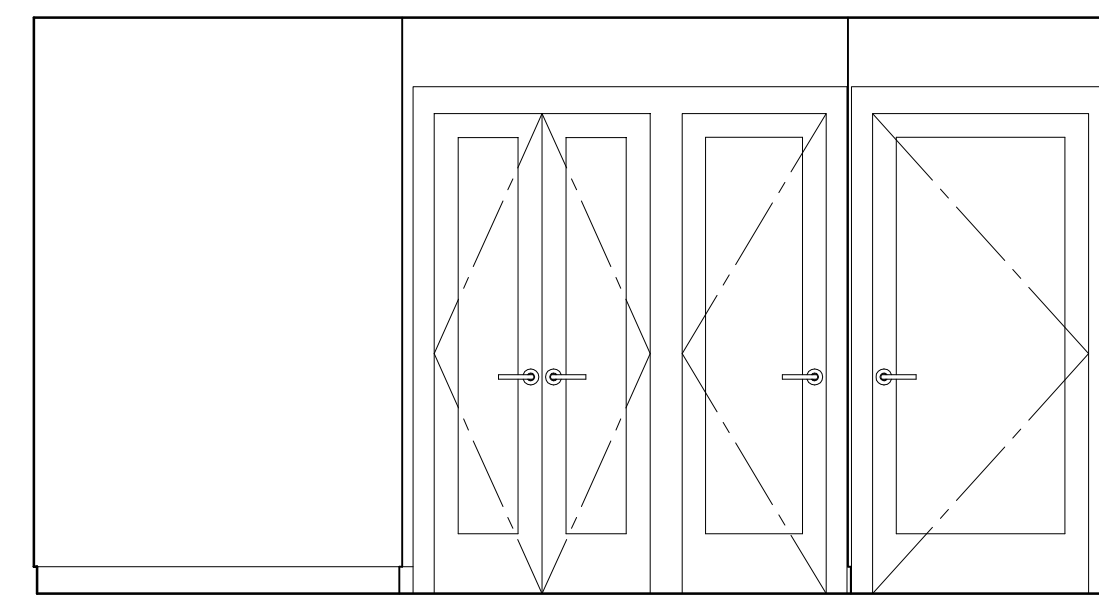
G ELEVATION - BATH
3/8" = 1'-0"



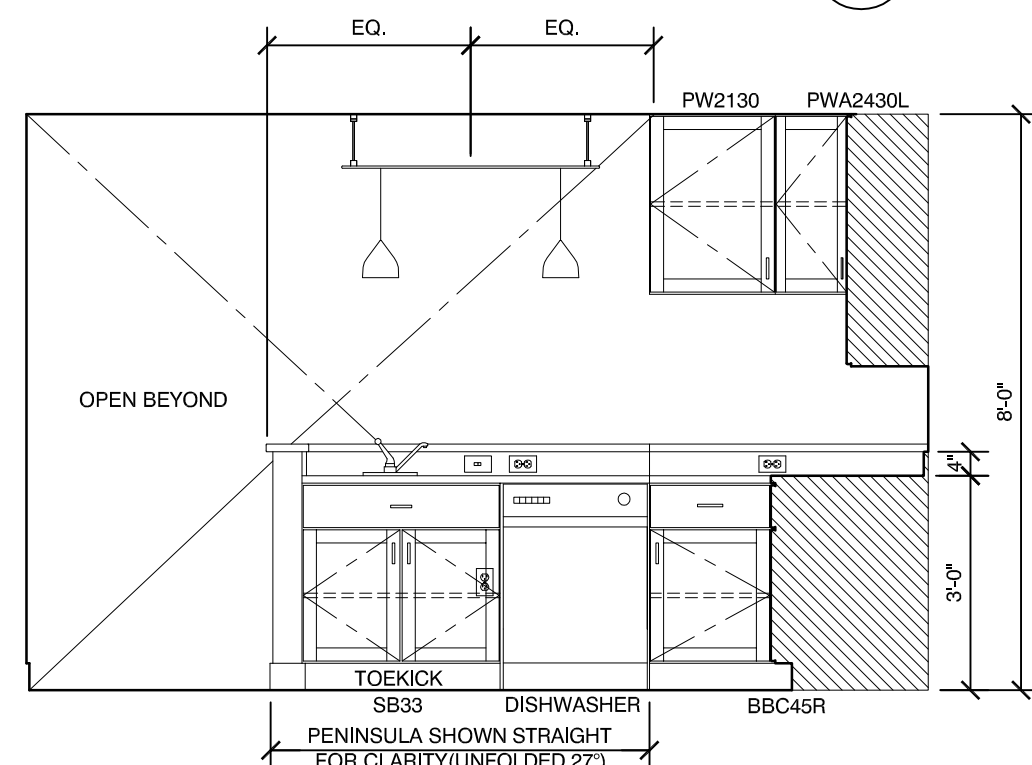
F ELEVATION - KITCHEN
3/8" = 1'-0"



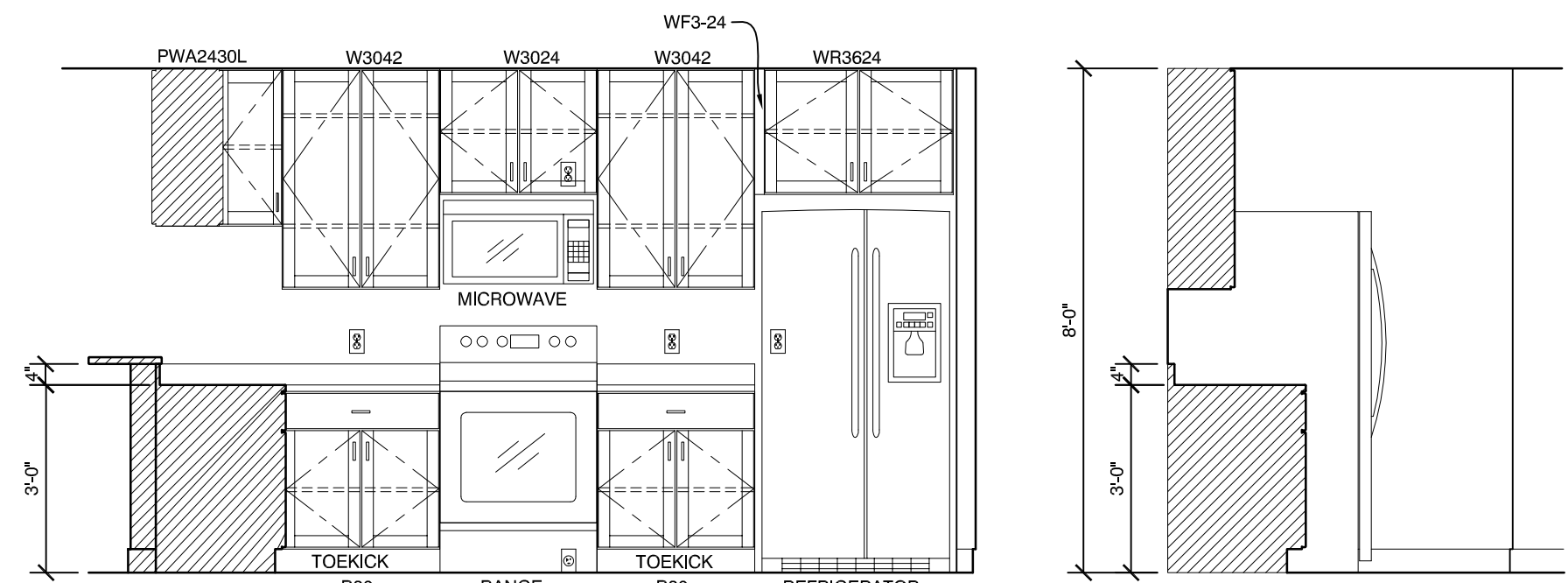
E ELEVATION - KITCHEN
3/8" = 1'-0"



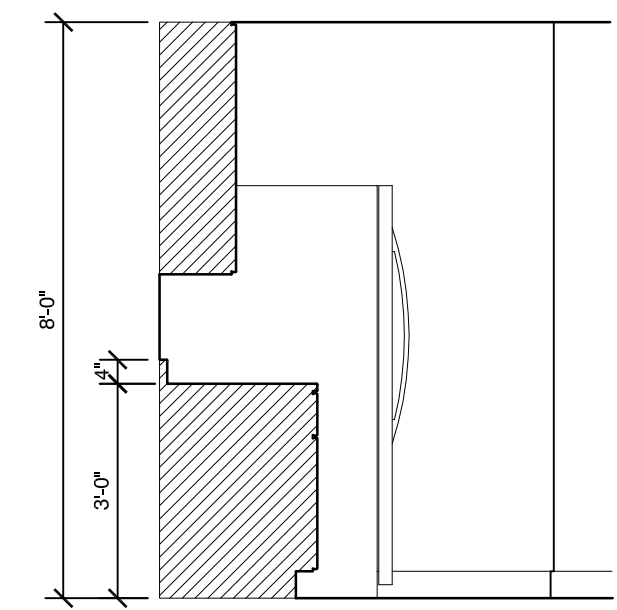
D ELEVATION - KITCHEN CLOSET
3/8" = 1'-0"



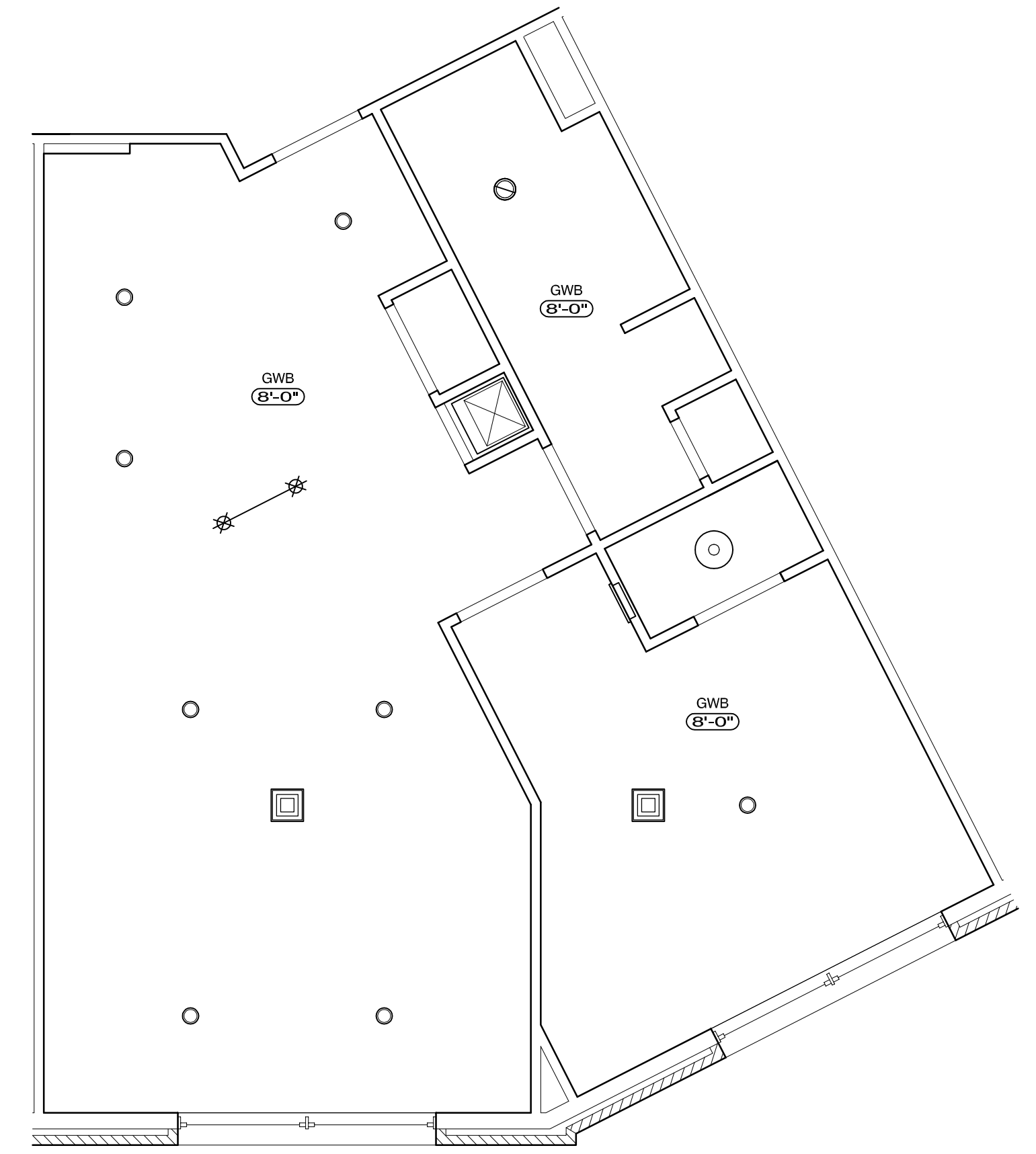
C ELEVATION - KITCHEN
3/8" = 1'-0"



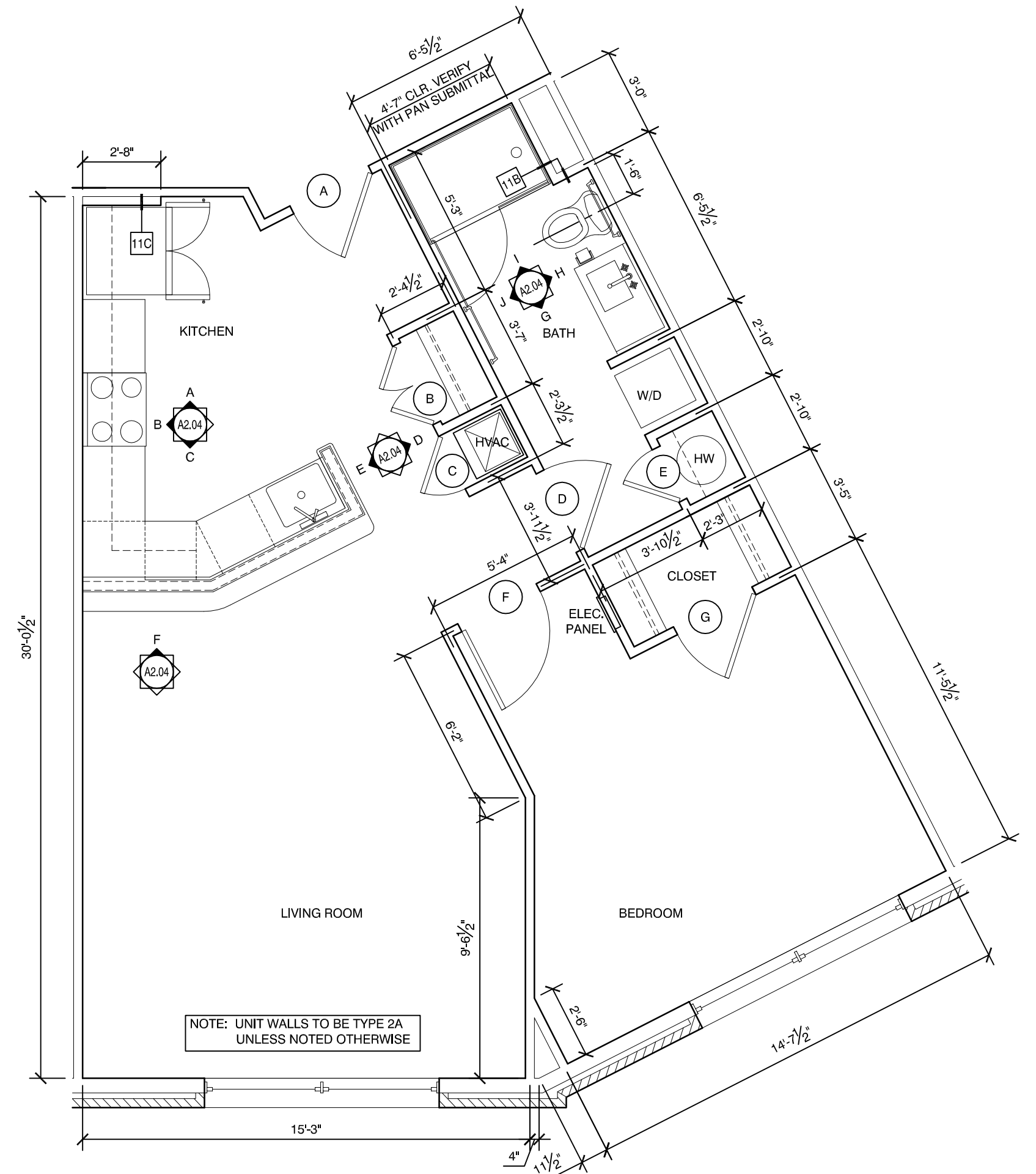
B ELEVATION - KITCHEN
3/8" = 1'-0"



A ELEVATION - KITCHEN
3/8" = 1'-0"



2 REFLECTED CEILING PLAN
1/4" = 1'-0"



1 ARCHITECTURAL PLAN
1/4" = 1'-0"; UNITS 206, 306, 406, 506