

Mixed Use Development  
York & High Street  
Portland, Maine

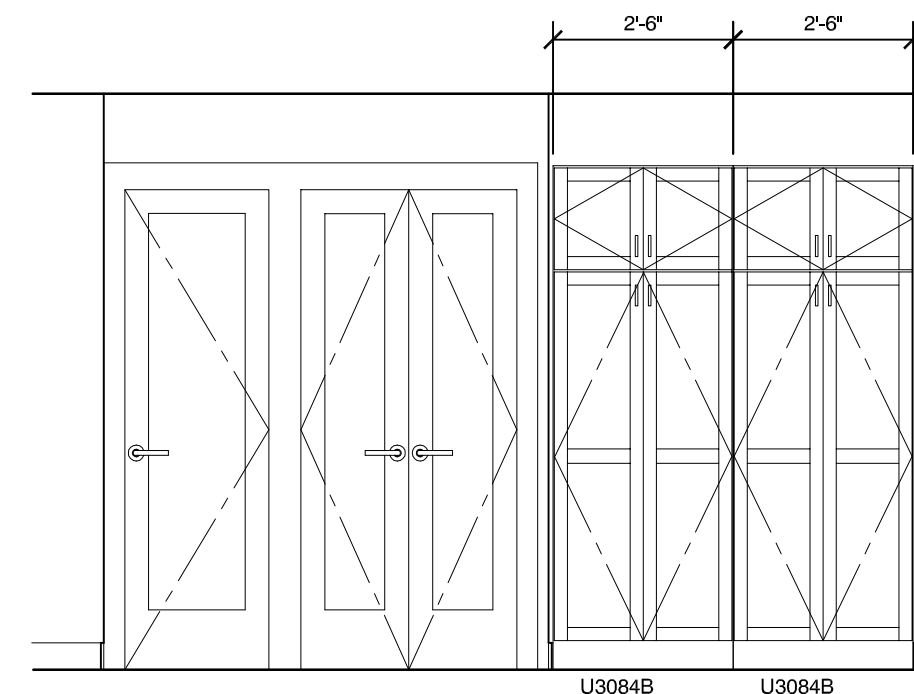
REVISION:

ISSUED: 05-09-16 FOR BUILDING PERMIT

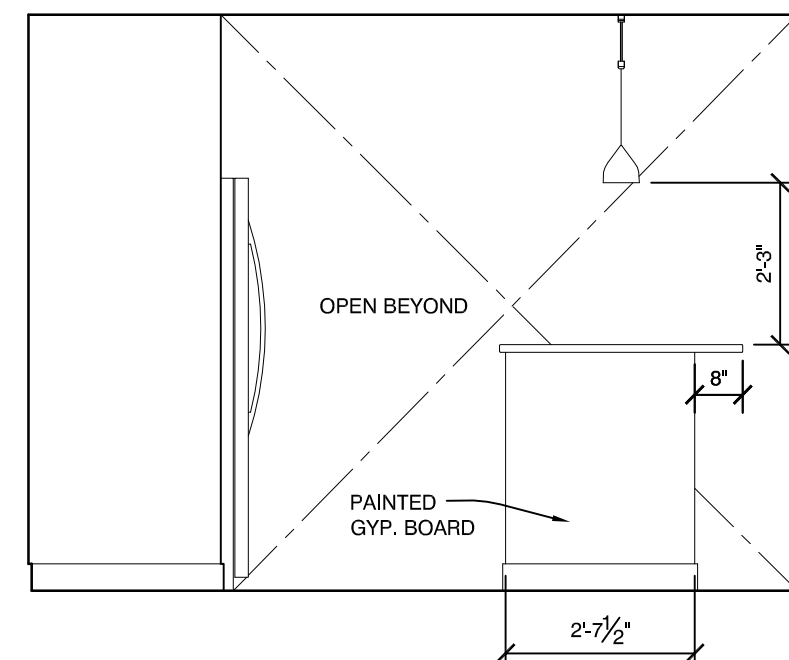
project architect: KAK  
drawn by: JLG

UNIT PLAN  
**A1**

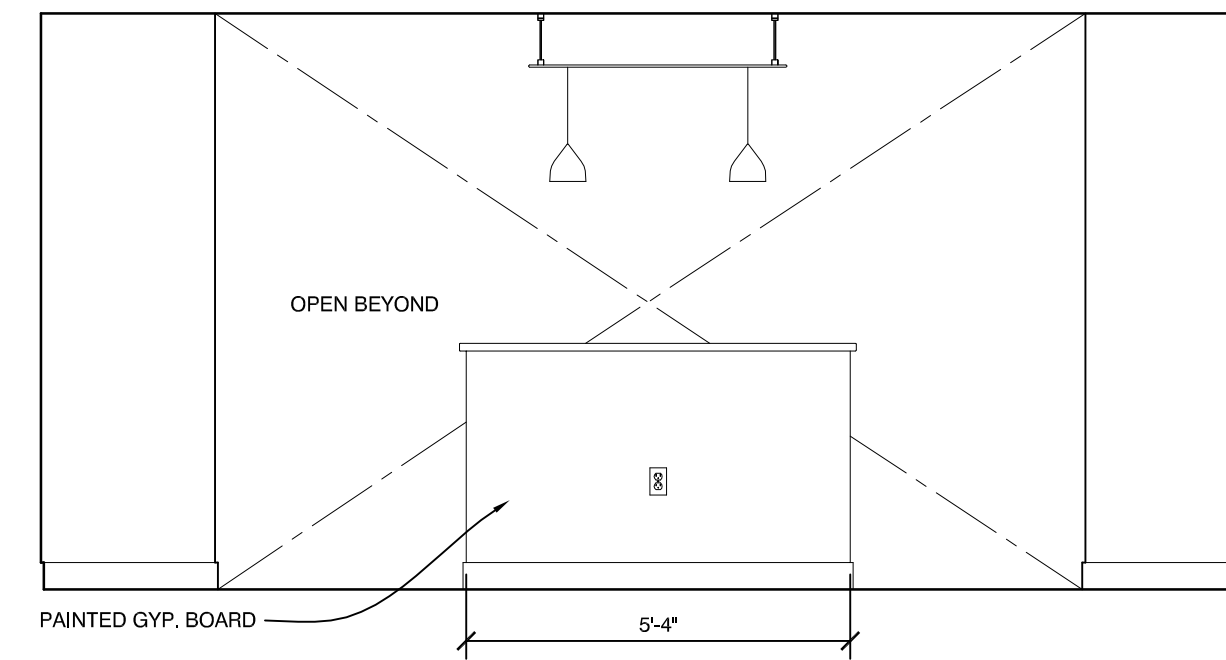
sheet number:  
**A2.02**



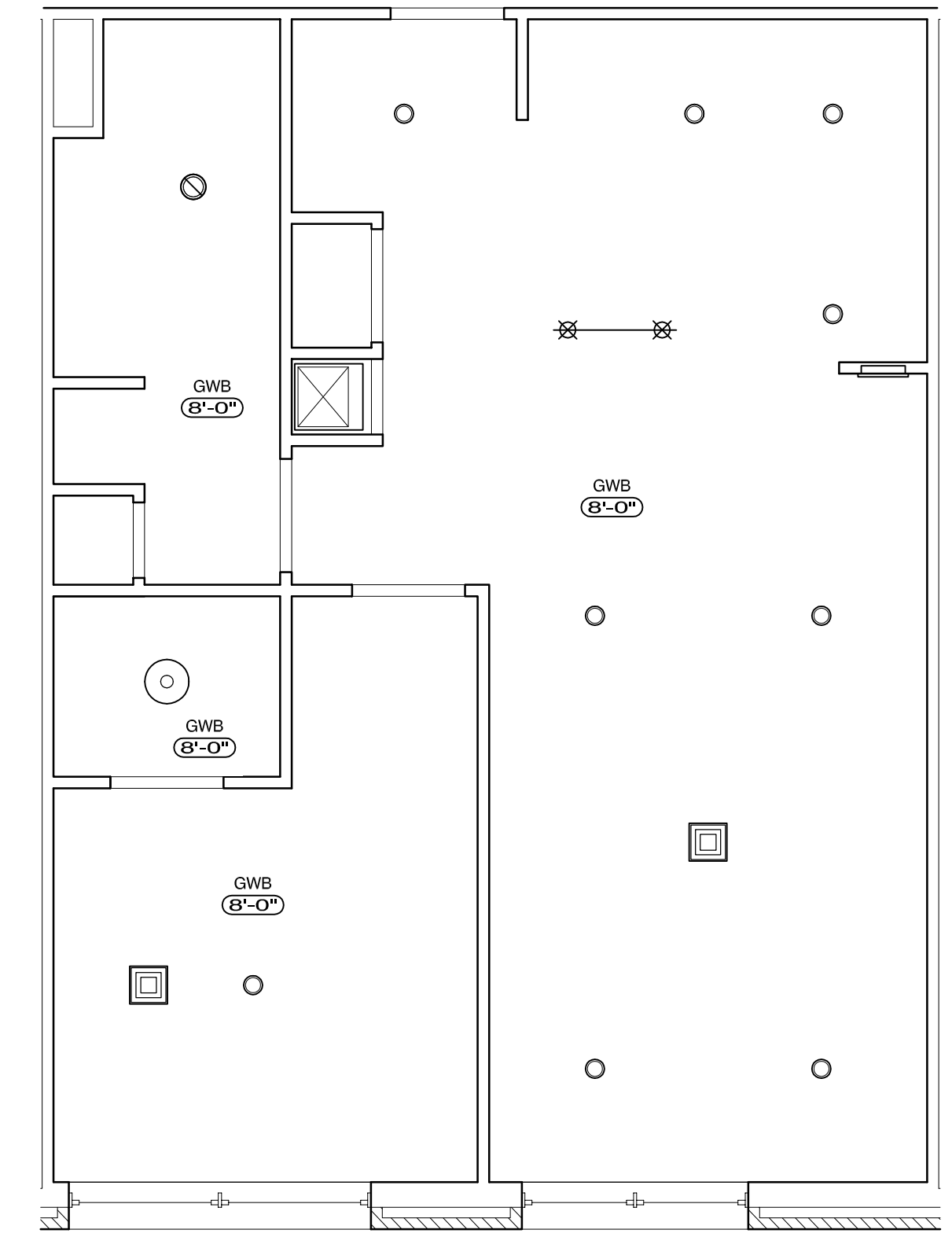
**K** ELEVATION - KITCHEN  
3/8" = 1'-0"



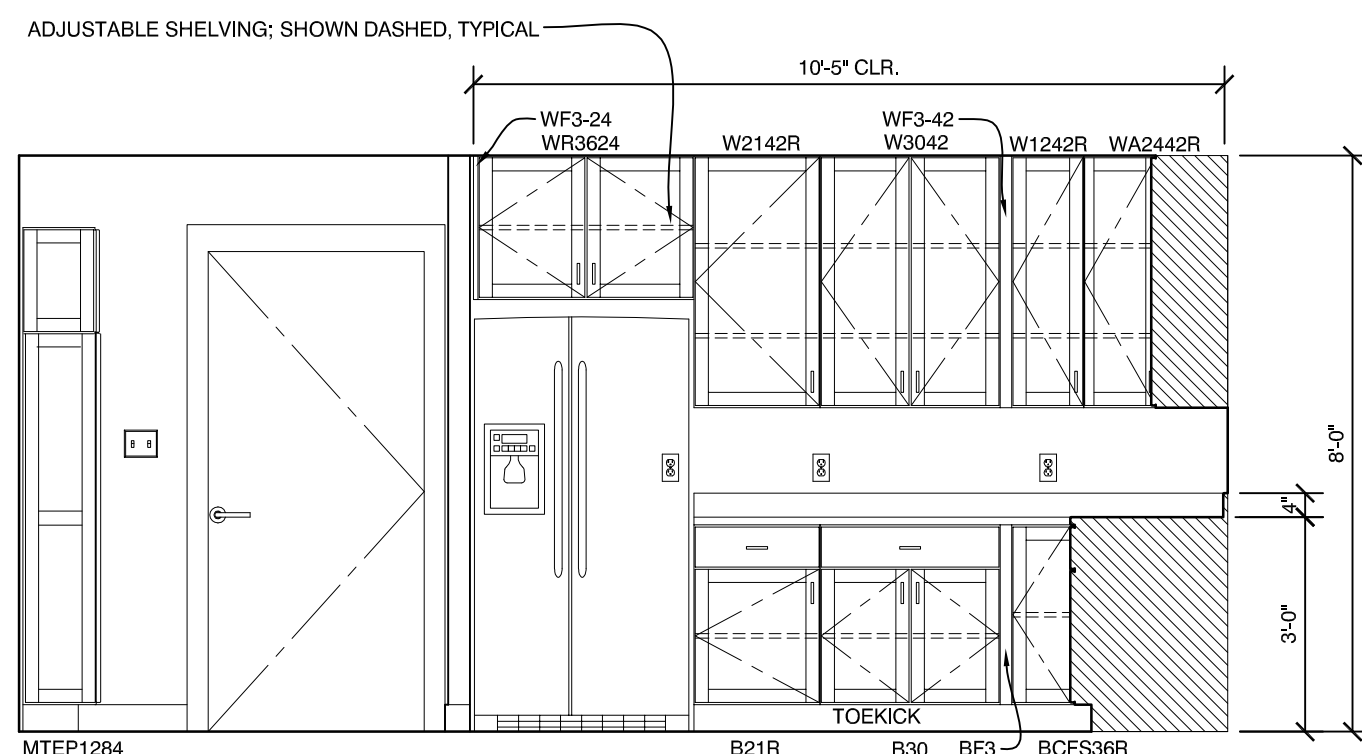
**J** ELEVATION - KITCHEN ISLAND  
3/8" = 1'-0"



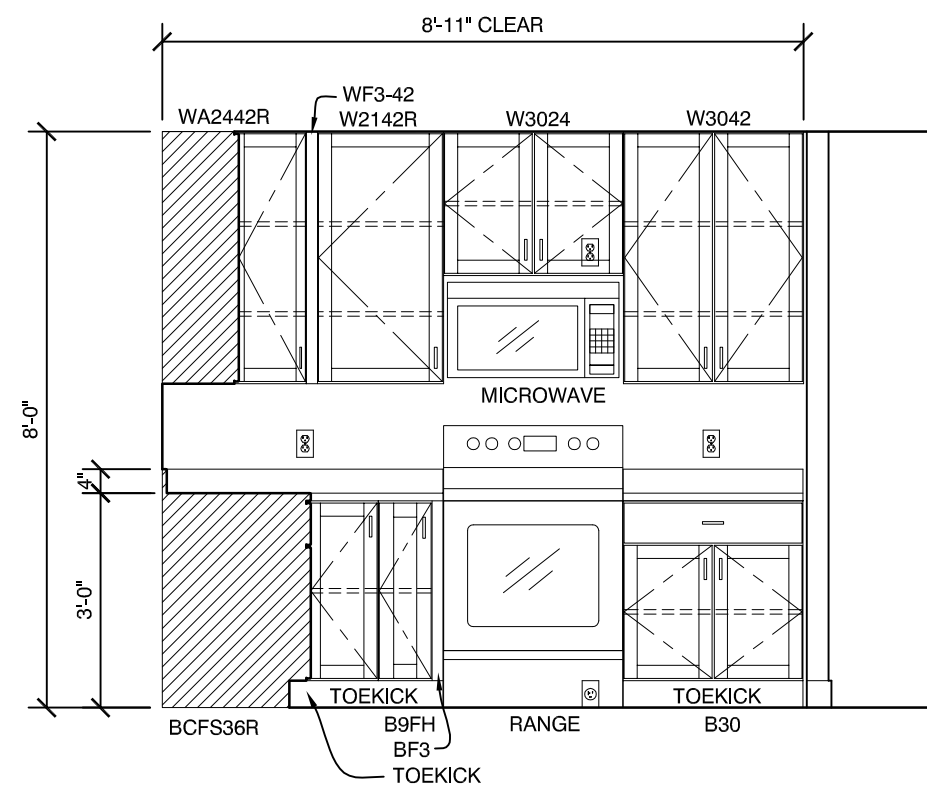
**I** ELEVATION - KITCHEN ISLAND  
3/8" = 1'-0"



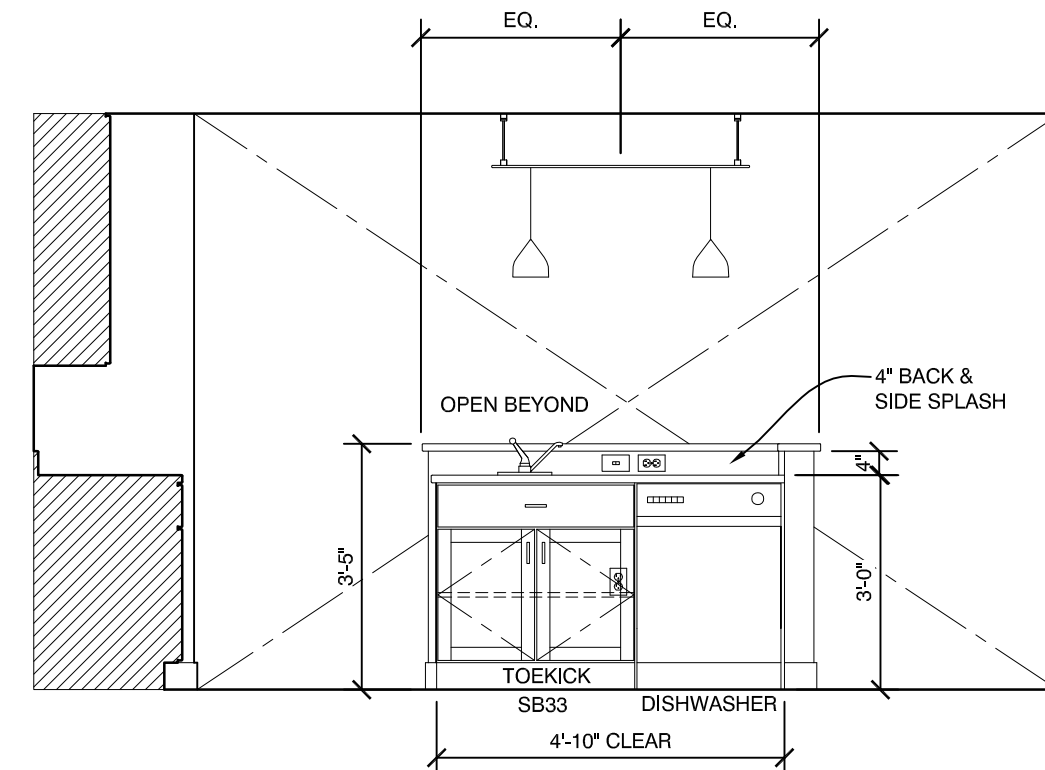
**2** REFLECTED CEILING PLAN  
1/4" = 1'-0"



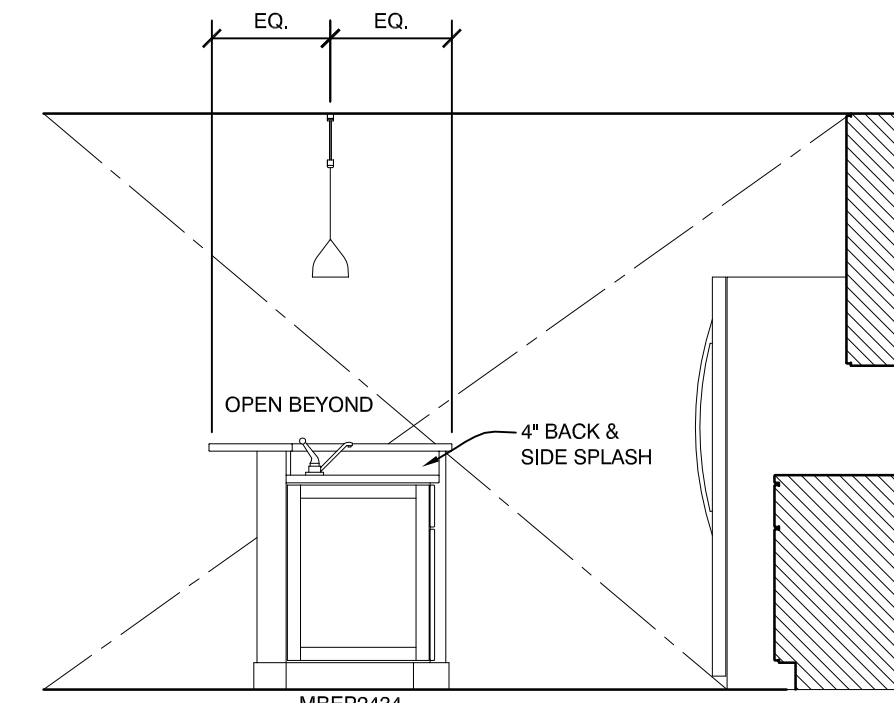
**H** ELEVATION - KITCHEN  
3/8" = 1'-0"



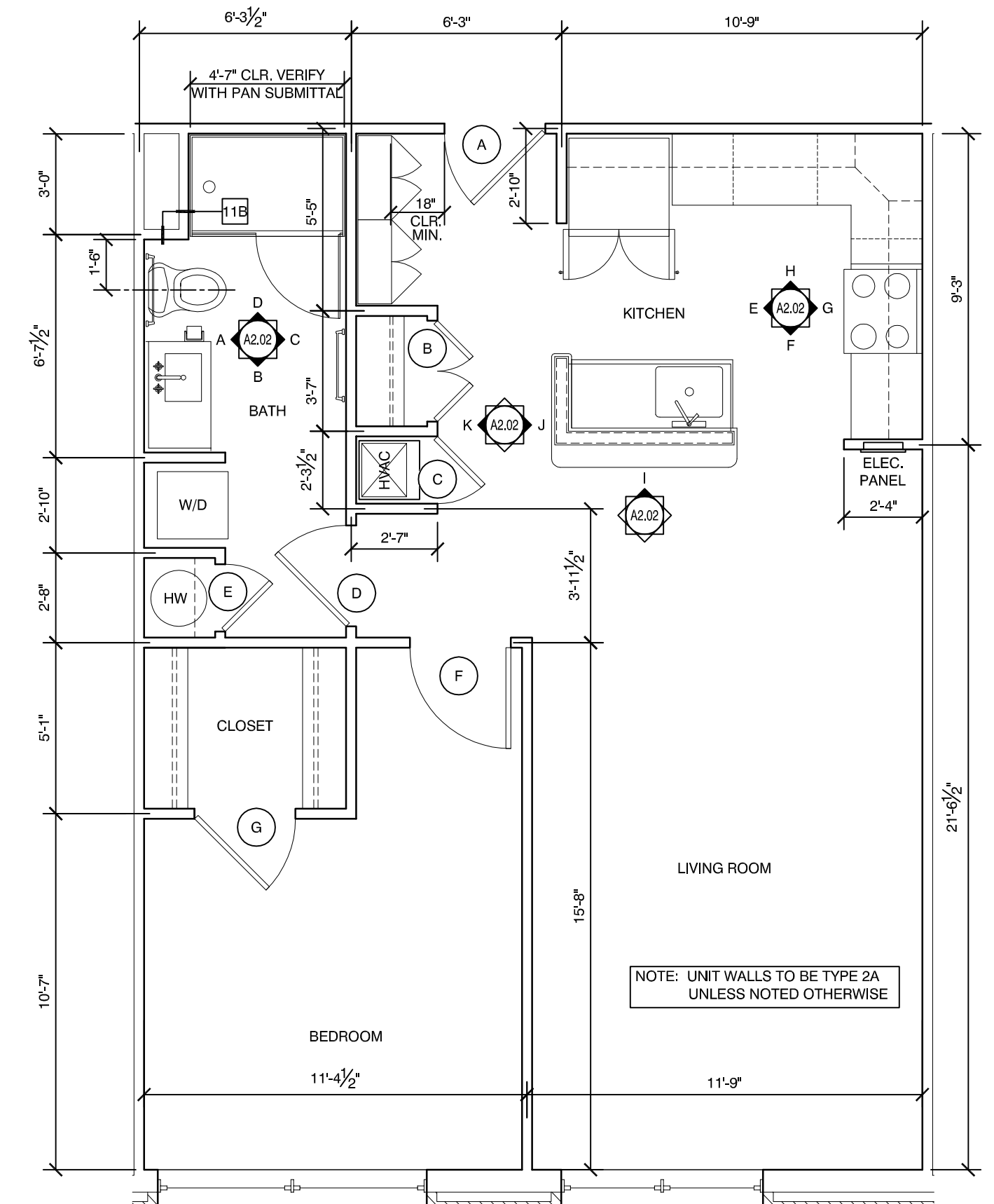
**G** ELEVATION - KITCHEN ISLAND  
3/8" = 1'-0"



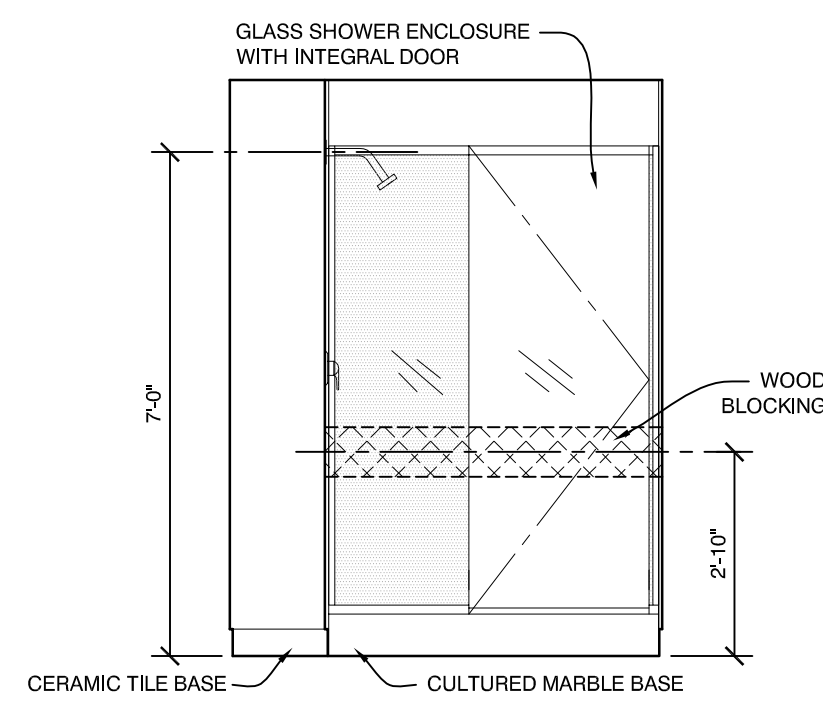
**F** ELEVATION - KITCHEN ISLAND  
3/8" = 1'-0"



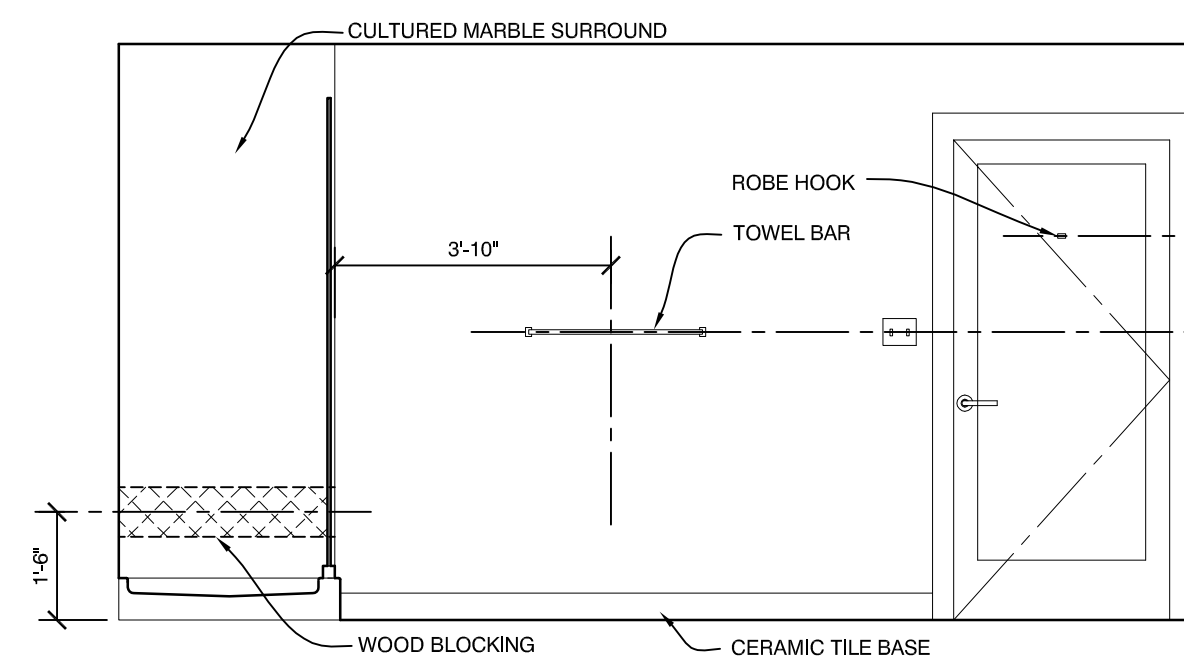
**E** ELEVATION - KITCHEN ISLAND  
3/8" = 1'-0"



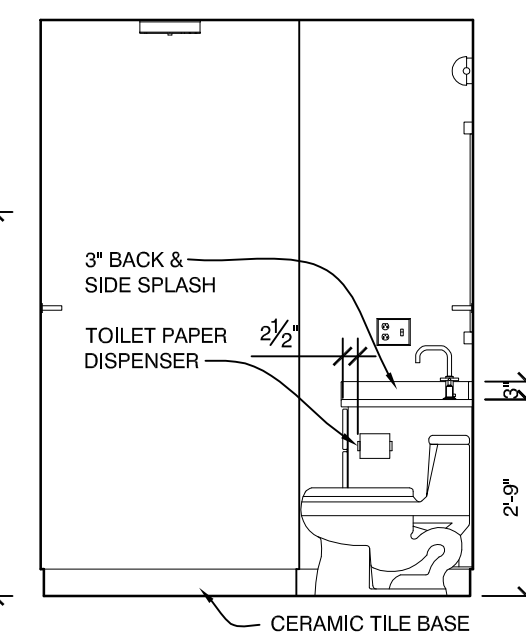
**1** ARCHITECTURAL PLAN  
1/4" = 1'-0"; UNITS 202, 302, 402, 502



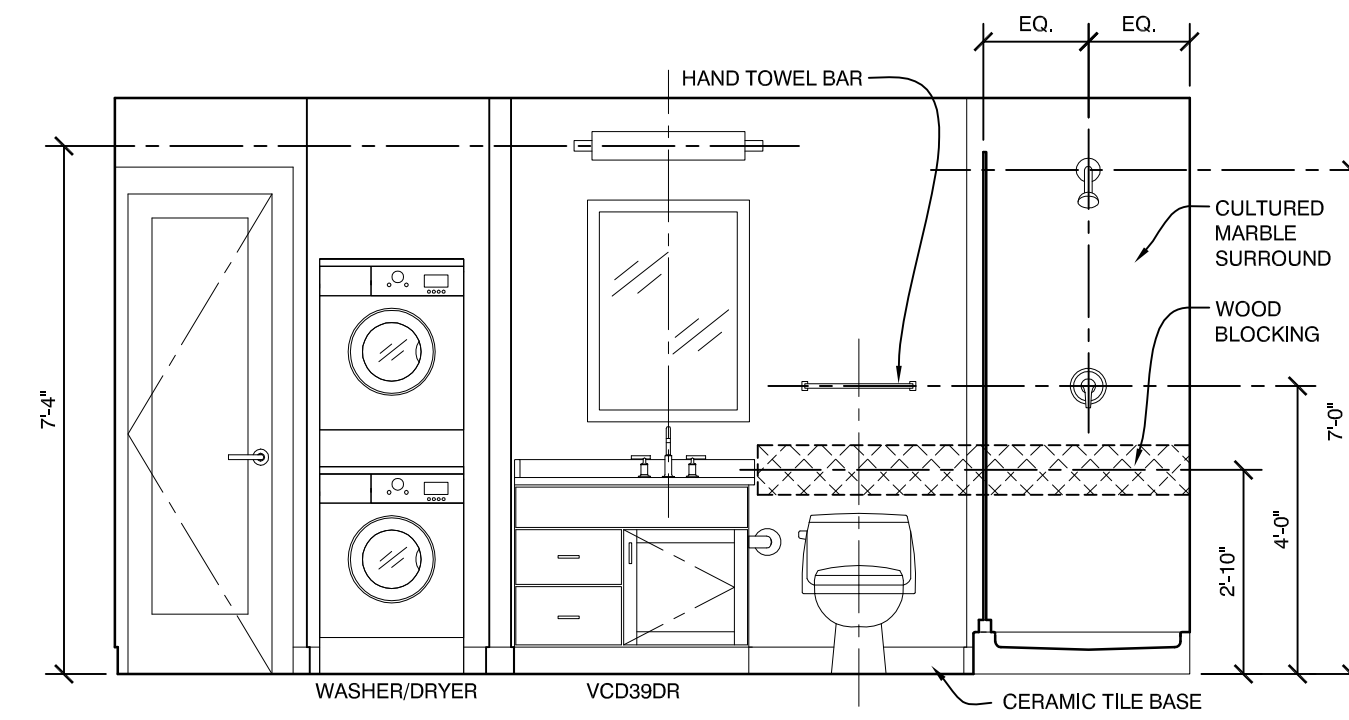
**D** ELEVATION - BATH  
3/8" = 1'-0"



**C** ELEVATION - BATH  
3/8" = 1'-0"



**B** ELEVATION - BATH  
3/8" = 1'-0"



**A** ELEVATION - BATH  
3/8" = 1'-0"