

### TrueAlert™ NON-ADDRESSABLE MULTI-CANDELA VISIBLE NOTIFICATION APPLIANCE (WALL MOUNT)

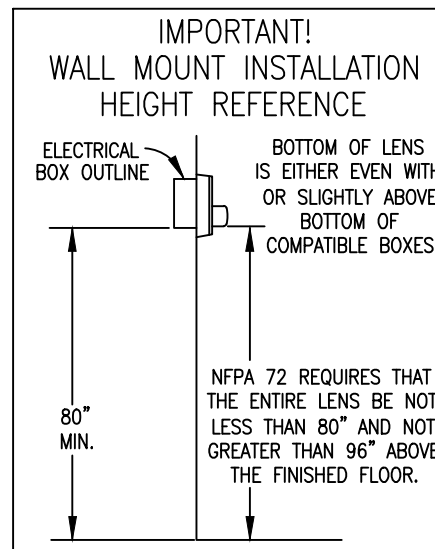
**PRODUCT INFORMATION**

- FEATURES:**
- UL LISTED TO STANDARD 1971
  - ADA COMPATIBLE
  - SYNCHRONIZATION FLASH RATE MODE FOR USE WITH:
    - SEPARATE STROBE SYNCHRONIZATION MODULES THAT ARE AVAILABLE FOR CLASS B OR CLASS A OPERATION
    - SEPARATE SMARTSYNC CONTROL MODULES (SCMs) THAT PROVIDE CLASS B OR CLASS A OUTPUT FROM CONVENTIONAL NAC INPUTS
- SPECIFICATIONS:**
- HOUSING DIMENSIONS: 5-1/8" H X 5" W X 2-3/4" D (130mm X 127mm X 70mm)
  - TEMPERATURE RANGE: 32°F TO 122°F (0 TO 50°C)
  - HUMIDITY RANGE: 10% TO 93% NON-CONDENSING AT 100°F (38°C)
  - TERMINAL BLOCKS FOR 18AWG TO 12AWG; TWO WIRES PER TERMINAL FOR IN/OUT WIRING.

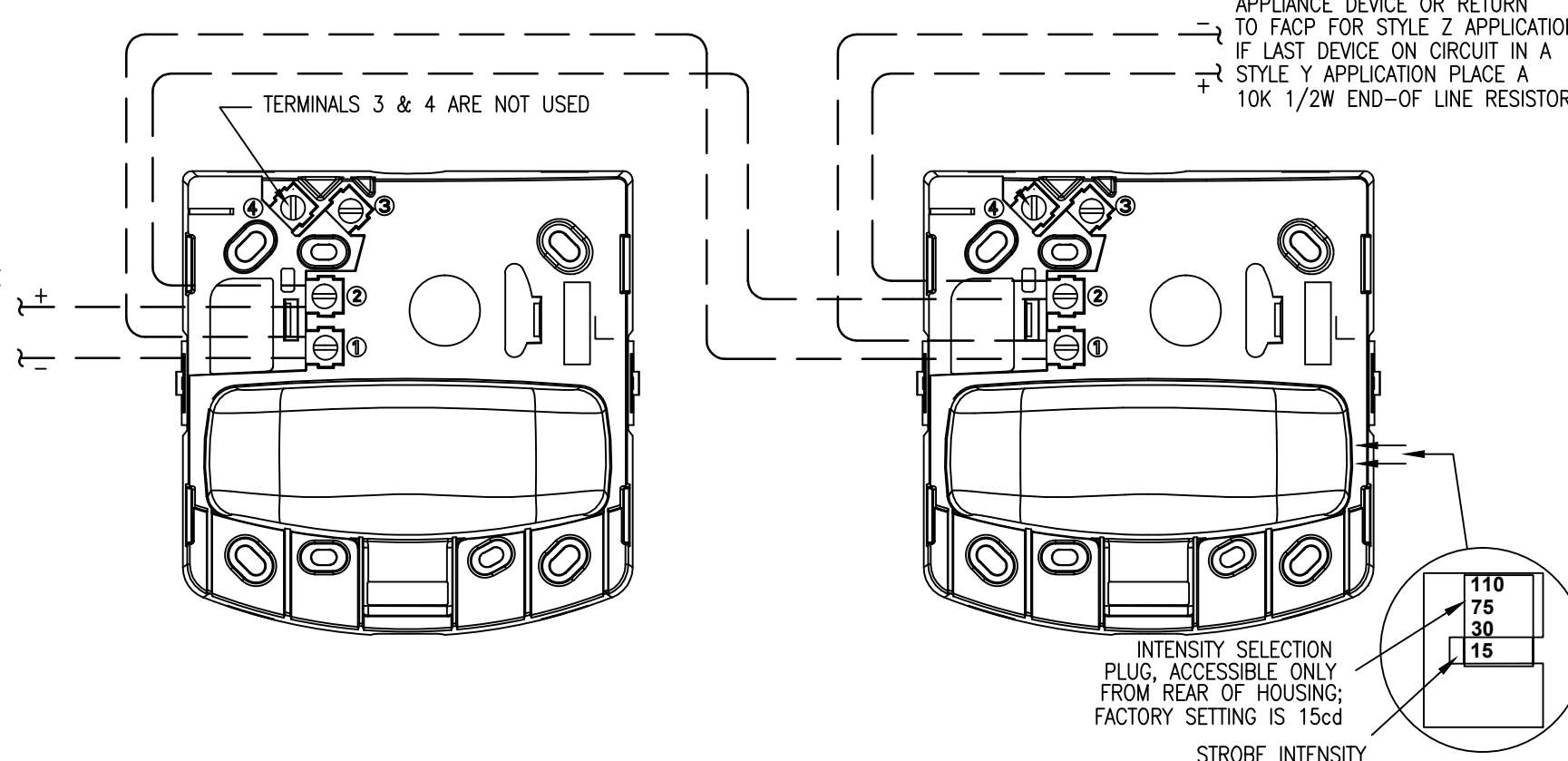
- WIRING:**
- NOTIFICATION APPLIANCES ARE RATED PER INDIVIDUAL NAMEPLATE LABEL.
  - MAINTAIN CORRECT POLARITY ON TERMINAL CONNECTIONS. DO NOT LOOP WIRES UNDER TERMINALS.
  - ALL NAC WIRING CONNECTIONS ARE SUPERVISED AND POWER-LIMITED.
  - SEE INSTALLATION INSTRUCTIONS (579-548) FOR ADDITIONAL INFORMATION.

- STROBE:**
- RATED VOLTAGE RANGE: UL LISTED: 16 VDC TO 33 VDC PER UL 1971  
ULC LISTED: 20 VDC TO 30 VDC PER ULC S526-M878
  - FLASH RATE: 1Hz
  - SYNCHRONIZED MODE NAC LOADING: MAXIMUM OF 35 SYNCHRONIZED STROBES PER NAC CIRCUIT.
  - \*CURRENT DRAWS REFLECT STROBE FLASHING

MODEL NUMBER	HOUSING COLOR	LETTERING COLOR	STROBE RATING	16 VDC	18 VDC	24 VDC
4906-9101	RED	WHITE	15cd	80 mA	83 mA	40 mA
			30cd	94 mA	94 mA	63 mA
			75cd	186 mA	165 mA	124 mA
4906-9103	WHITE	RED	110cd	252 mA	224 mA	168 mA
			15cd	80 mA	83 mA	40 mA
			30cd	94 mA	84 mA	63 mA
			75cd	186 mA	165 mA	124 mA
			110cd	252 mA	224 mA	168 mA



FROM A COMPATIBLE SIMPLEX SMARTSYNC NAC OR FROM SMARTSYNC CONTROL MODULE (SCM) 4905-9938 OR SIMPLEX 4905-9914 OR 9922 SYNC CUBE



### TrueAlert™ NON-ADDRESSABLE MULTI-CANDELA AUDIBLE/VISIBLE NOTIFICATION APPLIANCE WEATHERPROOF

**PRODUCT INFORMATION**

- FEATURES:**
- UL LISTED TO STANDARD 1971 FOR INDOOR APPLICATIONS WITH SELECTABLE STROBE INTENSITY SETTINGS
  - UL LISTED TO STANDARD 1638 FOR OUTDOOR APPLICATIONS
  - UL LISTED TO STANDARD 464
  - INDOOR APPLICATIONS ARE ADA COMPATIBLE
  - SYNCHRONIZATION FLASH RATE MODE FOR USE WITH:
    - SEPARATE STROBE SYNCHRONIZATION MODULES THAT ARE AVAILABLE FOR CLASS B OR CLASS A OPERATION
    - SEPARATE SMARTSYNC CONTROL MODULES (SCMs) THAT PROVIDE CLASS B OR CLASS A OUTPUT FROM CONVENTIONAL NAC INPUTS
- SPECIFICATIONS:**
- HOUSING DIMENSIONS: 5-1/8" H X 5" W X 2-3/4" D (130mm X 127mm X 70mm)
  - UL 1971 LISTED TEMPERATURE RANGE: 32°F TO 122°F (0°C TO 50°C)
  - UL 1638 LISTED TEMPERATURE RANGE: -31°F TO 150°F (-35°C TO 66°C)
  - UL 464 LISTED TEMPERATURE RANGE: 32°F TO 122°F (0°C TO 50°C)
  - UL 1971 LISTED HUMIDITY RANGE: 10% TO 93% NON-CONDENSING AT 100°F (38°C)
  - UL 1638 LISTED HUMIDITY RANGE: UP TO 98% AT 104°F (40°C)
  - TERMINAL BLOCKS FOR 18AWG TO 12AWG; TWO WIRES PER TERMINAL FOR IN/OUT WIRING.

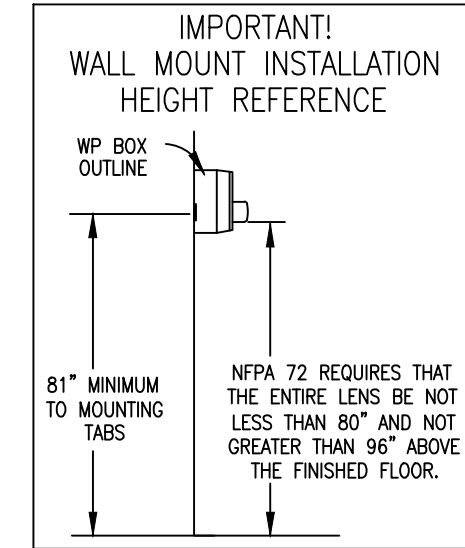
- WIRING:**
- NOTIFICATION APPLIANCES ARE RATED PER INDIVIDUAL NAMEPLATE LABEL.
  - MAINTAIN CORRECT POLARITY ON TERMINAL CONNECTIONS. DO NOT LOOP WIRES UNDER TERMINALS.
  - ALL NAC WIRING CONNECTIONS ARE SUPERVISED AND POWER-LIMITED.
  - SEE INSTALLATION INSTRUCTIONS (579-857) FOR ADDITIONAL INFORMATION.

- AUDIBLE:**
- RATED VOLTAGE RANGE: UL LISTED: 16 VDC TO 33 VDC PER UL 464
  - HORN OUTPUT

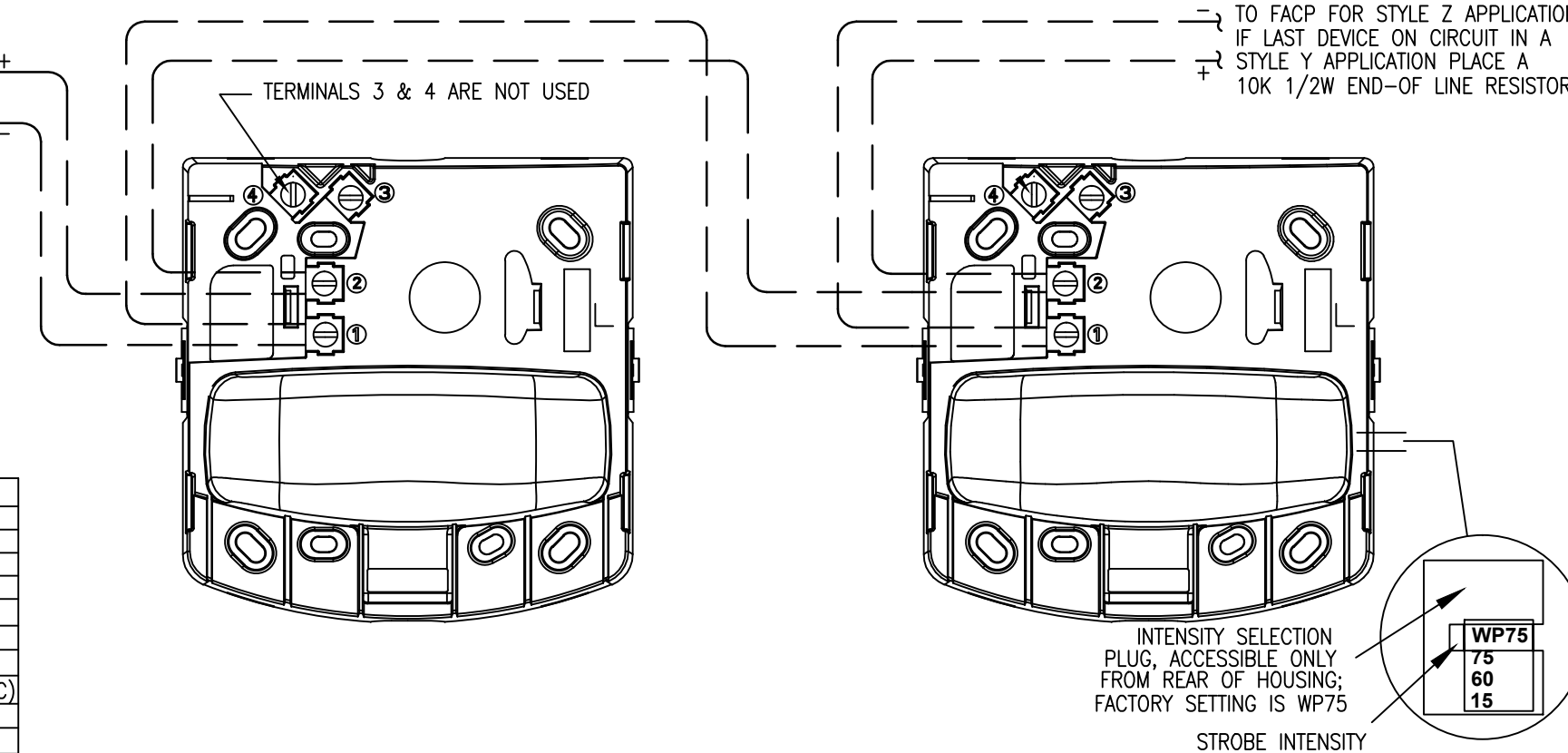
CHAMBER	16 VDC	24 VDC	33 VDC
REVERBERANT	81 DBA	76 DBA	84 DBA
ANECHOIC	96 DBA	93 DBA	99 DBA

- STROBE:**
- RATED VOLTAGE RANGE: UL LISTED: 16 VDC TO 33 VDC PER UL 1971, UL 1638 AND UL 464
  - FLASH RATE: 1Hz
  - NAC LOADING: MAXIMUM OF 24 STROBES PER NAC CIRCUIT.
  - \*CURRENT DRAWS REFLECT STROBE FLASHING WITH AUDIBLE ON

MODEL NUMBER	HOUSING COLOR	LETTERING COLOR	STROBE RATING	UL 1971 RATINGS @ 32°F TO 122°F (0°C TO 50°C)		
				16 VDC	18 VDC	24 VDC
4906-9131	RED	WHITE	15cd	91 mA	81 mA	61 mA
			30cd	204 mA	181 mA	136 mA
			75cd	249 mA	221 mA	169 mA
4906-9132	WHITE	RED	110cd	252 mA	224 mA	168 mA
			15cd	91 mA	81 mA	61 mA
			30cd	204 mA	181 mA	136 mA
			75cd	249 mA	221 mA	169 mA
			110cd	252 mA	224 mA	168 mA



FROM A COMPATIBLE SIMPLEX SMARTSYNC NAC OR FROM SMARTSYNC CONTROL MODULE (SCM) 4905-9938 OR SIMPLEX 4905-9914 OR 9922 SYNC CUBE



### TrueAlert™ NON-ADDRESSABLE MULTI-CANDELA AUDIBLE/VISIBLE NOTIFICATION APPLIANCE (ELECTRONIC HORN W/STROBE)

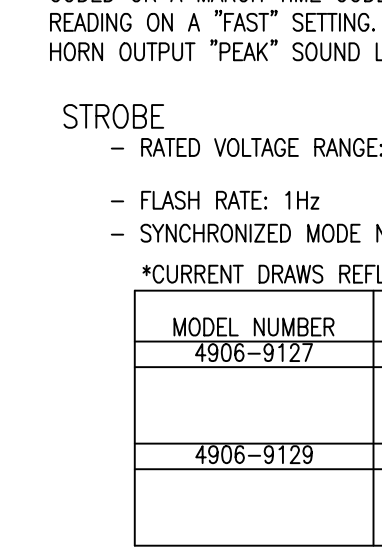
**PRODUCT INFORMATION**

- FEATURES:**
- CLASS B (STYLE Y) OPERATION REQUIRES CONNECTION TO A COMPATIBLE SMARTSYNC NAC OR TO SMARTSYNC CONTROL MODULE (SCM) 4905-9938
  - CLASS A (STYLE Z) OPERATION WHEN CONNECTED TO THE 4905-9938 SCM OR 4100U SERIES FIRE ALARM CONTROL PANEL NAC'S
- SPECIFICATIONS:**
- HOUSING DIMENSIONS (INCLUDING LENS): 5 1/8" X 5" W X 2 3/4" D
  - TEMPERATURE RANGE: 32° F TO 122° F (0° TO 50° C)
  - HUMIDITY RANGE: 10% TO 93% NON-CONDENSING AT 100° F (38° C)
  - TERMINAL BLOCKS FOR 18 AWG TO 12 AWG; TWO WIRES PER TERMINAL FOR IN/OUT WIRING.

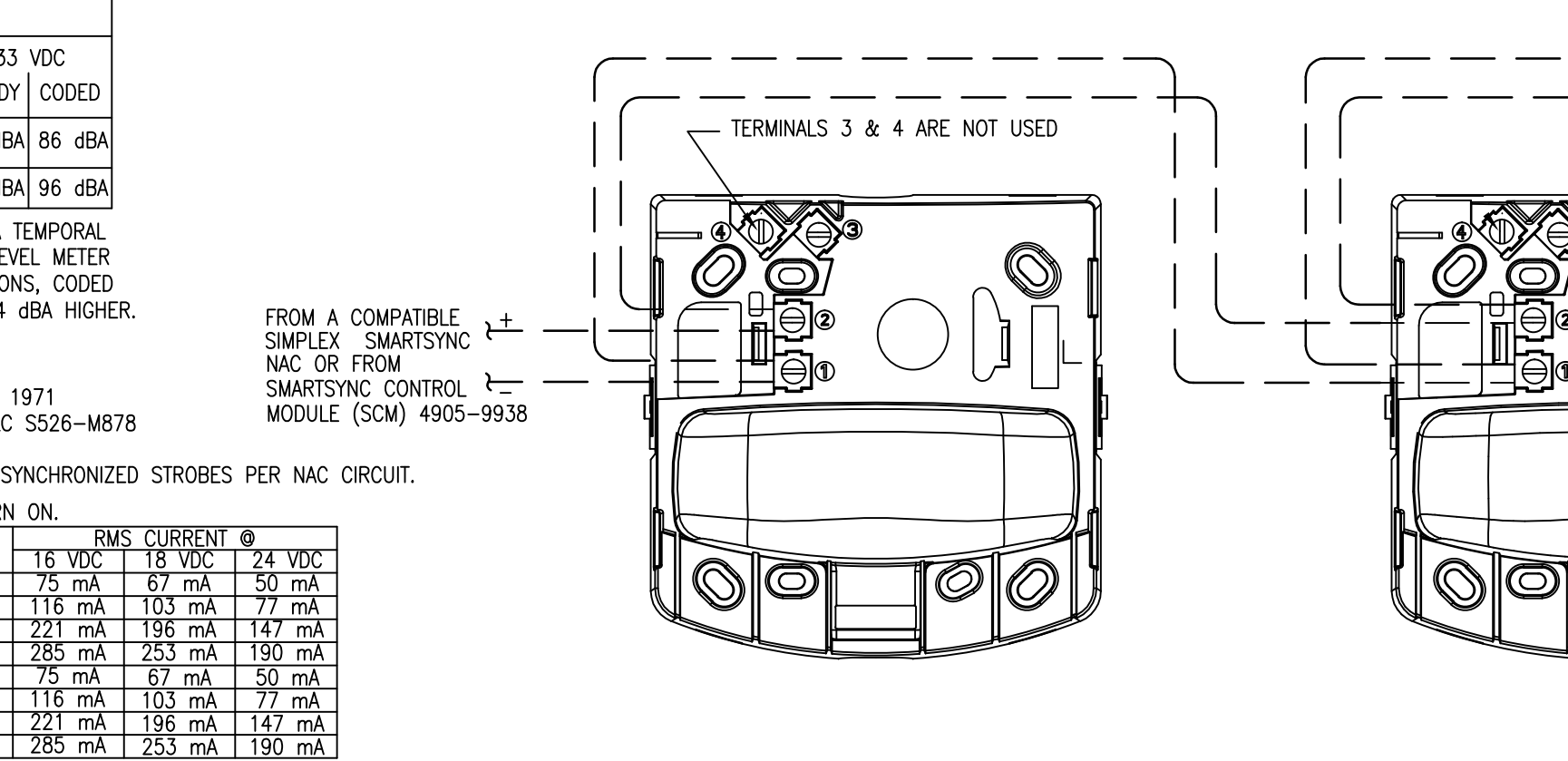
- WIRING:**
- NOTIFICATION APPLIANCES ARE RATED PER INDIVIDUAL NAMEPLATE LABEL.
  - MAINTAIN CORRECT POLARITY ON TERMINAL CONNECTIONS. DO NOT LOOP WIRES UNDER TERMINALS.
  - ALL NAC WIRING CONNECTIONS ARE SUPERVISED AND POWER-LIMITED.
  - SEE INSTALLATION INSTRUCTIONS (579-548) FOR ADDITIONAL INFORMATION.

- STROBE:**
- RATED VOLTAGE RANGE: UL LISTED: 16 VDC TO 33 VDC PER UL 1971  
ULC LISTED: 20 VDC TO 30 VDC PER ULC S526-M878
  - FLASH RATE: 1Hz
  - SYNCHRONIZED MODE NAC LOADING: MAXIMUM OF 35 SYNCHRONIZED STROBES PER NAC CIRCUIT.
  - \*CURRENT DRAWS REFLECT STROBE FLASHING AND HORN ON

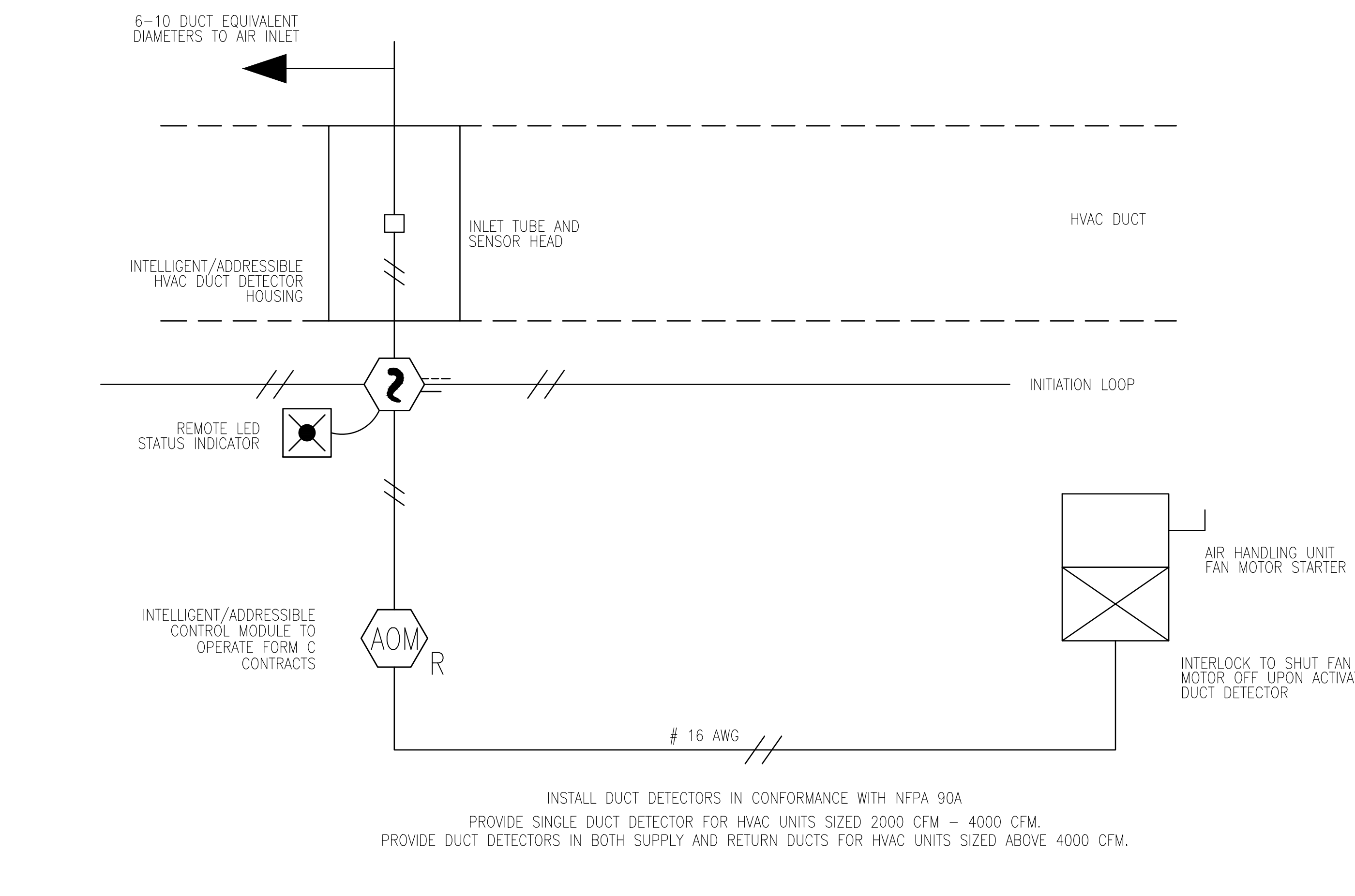
MODEL NUMBER	HOUSING COLOR	LETTERING COLOR	STROBE RATING	16 VDC	18 VDC	24 VDC
4906-9127	RED	WHITE	15cd	75 mA	67 mA	50 mA
			30cd	116 mA	103 mA	77 mA
			75cd	221 mA	196 mA	147 mA
4906-9129	WHITE	RED	110cd	285 mA	253 mA	190 mA
			15cd	75 mA	67 mA	50 mA
			30cd	116 mA	103 mA	77 mA
			75cd	221 mA	196 mA	147 mA
			110cd	285 mA	253 mA	190 mA



FROM A COMPATIBLE SIMPLEX SMARTSYNC NAC OR FROM SMARTSYNC CONTROL MODULE (SCM) 4905-9938



### DUCT DETECTOR WIRING DETAIL



**SimplexGrinnell BE SAFE.**

A Tyco International Company

20 THOMAS DRIVE  
WESTBROOK, ME 04092  
SALES: 207-842-6440  
SERVICE: 207-842-6440  
FAX: 207-842-6439

© 2013 SIMPLEXGRINNELL LP  
ALL RIGHTS RESERVED

CHG BY		REVISION DESCRIPTION	
DATE	3/28/12	REVISED PER FIRE DEPARTMENT REVIEW COMMENTS DATED 3/20/13	
NO.	1		

**FIRE ALARM & SMOKE DETECTION SYSTEM**

**DEVICE WIRING DETAILS**

**DANFORTH ON HIGH**

81 DANFORTH STREET  
PORTLAND, ME 04101

DRAWN BY: M.DESJATA  
DATE: 10/10/12

CHECKED BY: S.KALAFARSKI  
DATE: 10/19/12

PROJECT NUMBER: 966796101

SHEET TITLE: FIRE ALARM/SMOKE SYSTEM DEVICE WIRING DETAILS

SHEET NUMBER: FA-704