

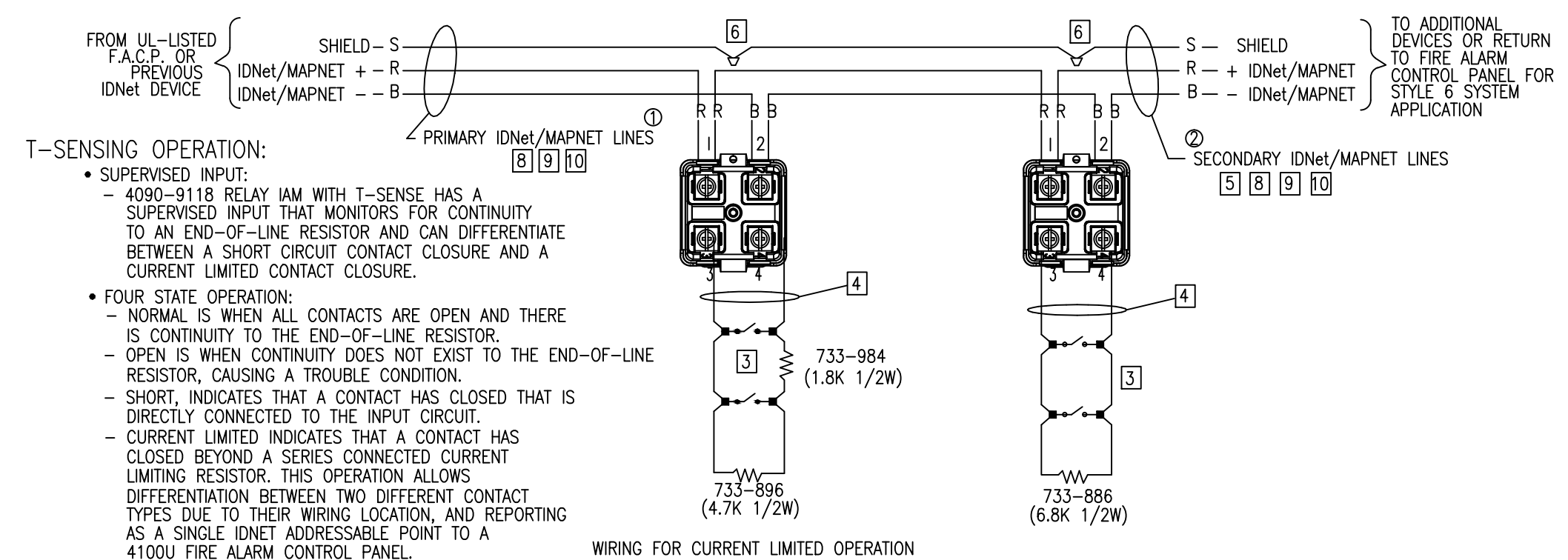
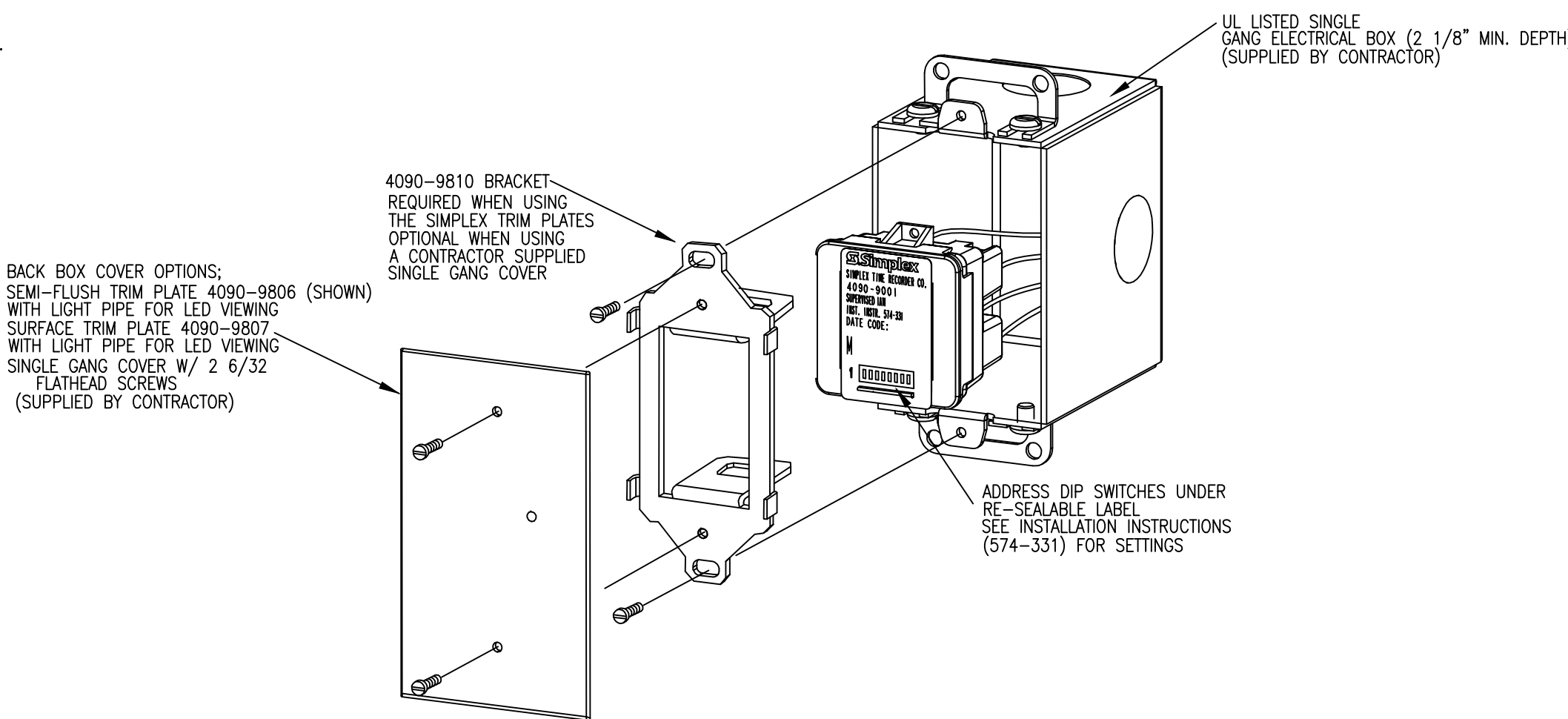
PRODUCT INFORMATION 4090-9001 IDNET, SUPERVISED INDIVIDUAL ADDRESSABLE MODULE (IAM)

- FEATURES:
- UL LISTED
- ADDRESSABLE COMMUNICATIONS SUPPLY BOTH DATA AND POWER TO PROVIDE...
- COMPATIBLE WITH SIMPLEX ADDRESSABLE FIRE ALARM CONTROL PANELS.

- SPECIFICATIONS:
- WIRE CONNECTIONS: SCREW TERMINALS FOR IN/OUT WIRING FOR WIRE FROM #18 TO #14 AWG.
- DIMENSIONS: 1 9/16" x 1 3/4" x 1 1/4"

DESCRIPTION: THE 4090-9001 IS AN INDIVIDUAL ADDRESSABLE MODULE (IAM) WITH POWER AND COMMUNICATIONS SUPPLIED BY A TWO WIRE ADDRESSABLE CIRCUIT. IT PROVIDES LOCATION SPECIFIC ADDRESSABILITY TO A SINGLE INITIATING DEVICE (SUCH AS SINGLE STATION SMOKE DETECTOR ALARM CONTACTS OR HEAT DETECTOR CONTACTS) OR MULTIPLE DEVICES AT THE SAME LOCATION BY MONITORING NORMALLY OPEN, DRY CONTACTS AND THE WIRING TO AN END-OF-LINE RESISTOR.

- WIRING NOTES:
1. ALL WIRING TO COMPLY WITH LOCAL CODE.
2. CONDUCTORS MUST TEST FREE OF ALL GROUNDS.
3. ONLY N.O. DRY CONTACTS ARE ALLOWED.



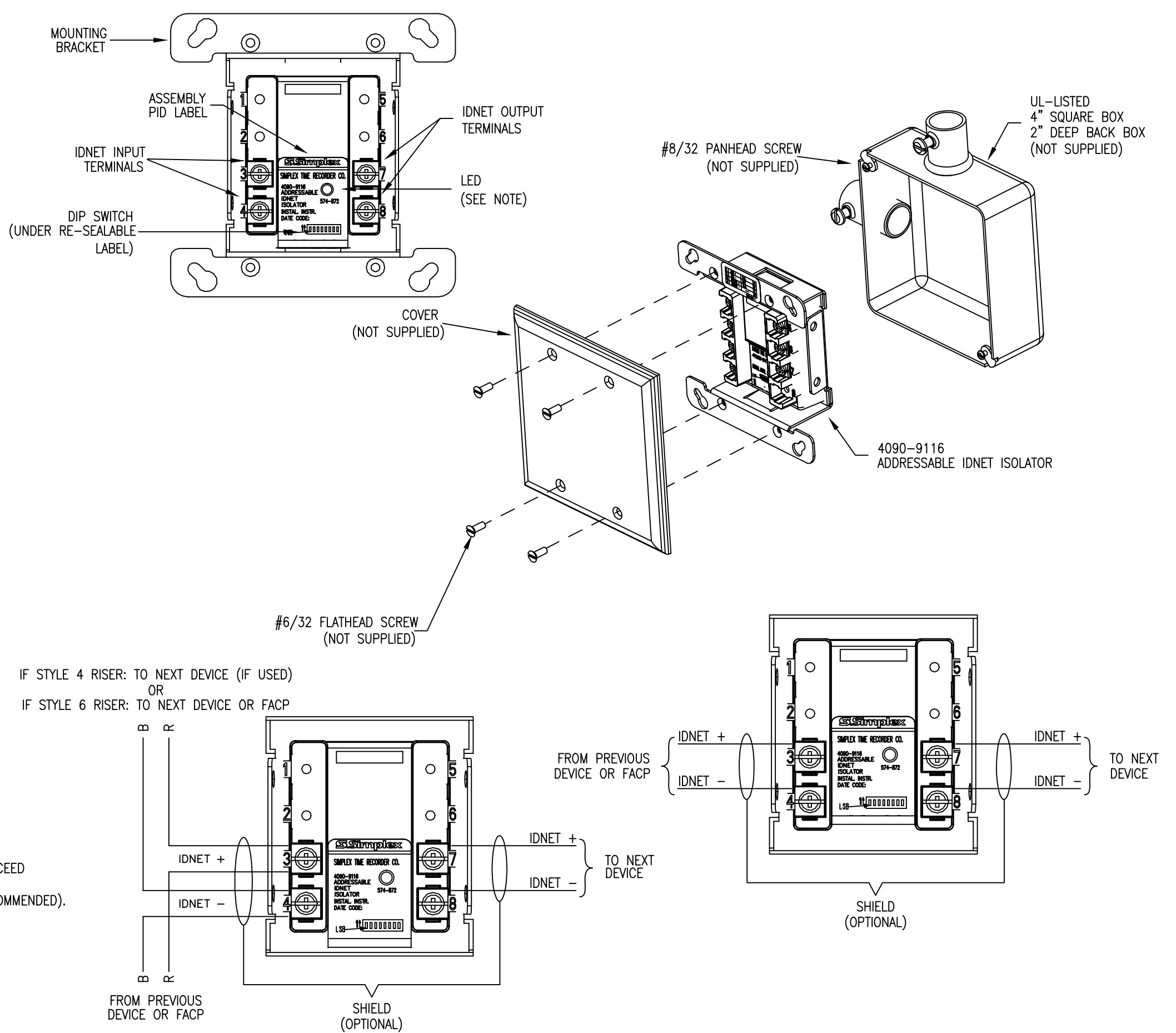
PRODUCT INFORMATION 4090-9116 ADDRESSABLE IDNET COMMUNICATIONS ISOLATOR

- FEATURES:
- UL LISTED STANDARD 864
- DUAL PORT, BI-DIRECTIONAL COMMUNICATIONS ISOLATOR FOR USE WITH SIMPLEX 4100 SERIES FIRE ALARM CONTROL PANEL IDNET SIGNAL LINE CIRCUITS (SLC'S)

- SPECIFICATIONS:
- WIRE CONNECTIONS: SCREW TERMINALS FOR IN/OUT WIRING FOR WIRE FROM #18 TO #14 AWG.
- DIMENSIONS: 4 1/8" x 4 1/8" x 1 3/8"

DESCRIPTION: 4090-9116 IDNET COMMUNICATIONS ISOLATOR PROVIDES COMMUNICATIONS ISOLATION TO IMPROVE INSTALLATION CONVENIENCE AND INCREASE SYSTEM INTEGRITY. MOUNTING REQUIRES A STANDARD 4-INCH SQUARE ELECTRICAL BOX, ALLOWING THE ISOLATOR TO BE CONVENIENTLY INSTALLED WHERE PROTECTION IS MOST LIKELY TO BE DESIRED.

- WIRING NOTES:
1. MAXIMUM ALLOWABLE RUN FROM FACP TO FARTHEST DEVICE NOT TO EXCEED 2500 FEET.
2. THE ADDRESSABLE IDNET ISOLATOR COUNTS AS ONE UNIT LOAD.



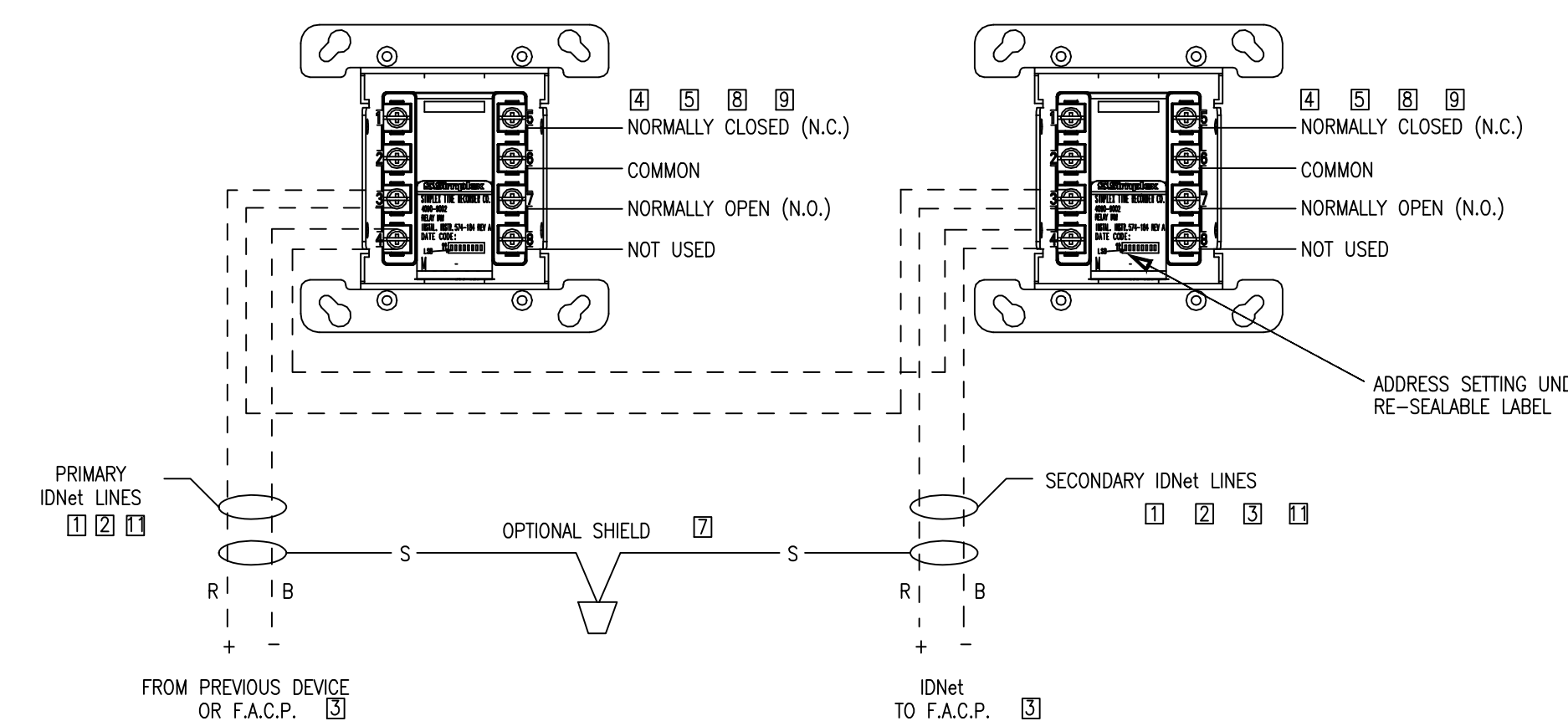
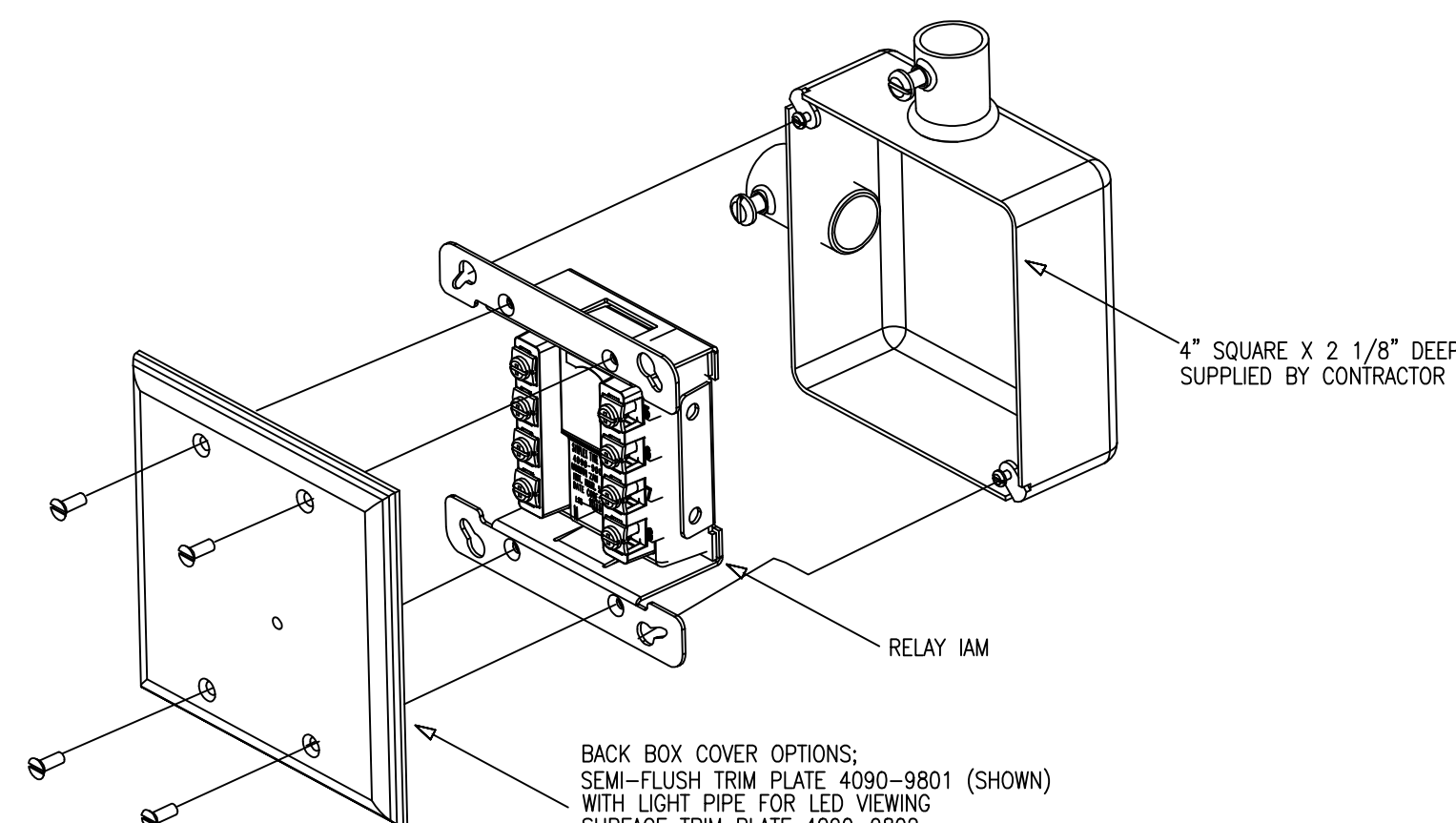
PRODUCT INFORMATION 4090-9002 IDNET, INDIVIDUAL ADDRESSABLE MODULE RELAY (IAM)

- FEATURES:
- UL LISTED
- A SINGLE ADDRESSABLE POINT BOTH CONTROLS A 2A FORM 'C' CONTACT AND TRACKS ITS STATUS

- SPECIFICATIONS:
- RELAY IAM POWER: SUPPLIED BY IDNET COMMUNICATIONS
- RELAY IAM CONTACTS (FORM 'C', SPDT)
- POWER LIMITED RATING: 2A @ 24VDC, TRANSIENT SUPPRESSED LOADS, 1A @ 24VDC FOR INDUCTIVE LOADS

DESCRIPTION: IDNET RELAY IAMs ALLOW THE SIMPLEX FIRE ALARM CONTROL PANEL TO CONTROL A REMOTELY LOCATED FORM 'C' CONTACT USING IDNET ADDRESSABLE COMMUNICATIONS FOR BOTH DATA AND POWER.

- WIRING NOTES:
1. IDNET LINES ARE TO BE #18 AWG TWISTED PAIR (CONSULT STR SALES ENGINEERING FOR EXCEPTIONS) SHIELD RECOMMENDED.
2. MAXIMUM ALLOWABLE LINE RUN, FROM THE F.A.C.P. TO THE FARTHEST DEVICE, NOT TO EXCEED 2500 FEET.



PRODUCT INFORMATION 4098-9792 STANDARD SENSOR BASE

- FEATURES:
- UL LISTED, FM APPROVED
- TRUEALARM ANALOG SENSING PROVIDES DIGITAL TRANSMISSION OF ANALOG SENSOR VALUES VIA MAPNET, OR IDNET TWO WIRE COMMUNICATIONS

- SPECIFICATIONS:
- UL LISTED TEMPERATURE RANGE: 32F TO 100F
- OPERATING TEMPERATURE RANGE: 32F TO 120F

DESCRIPTION: TRUEALARM SENSOR BASES CONTAIN INTEGRAL ADDRESSABLE ELECTRONICS THAT CONSTANTLY MONITOR THE STATUS OF THE DETACHABLE PHOTOELECTRIC, IONIZATION, OR HEAT SENSORS. EACH SENSOR'S OUTPUT IS DIGITIZED AND TRANSMITTED TO THE SYSTEM FIRE ALARM CONTROL PANEL EVERY FOUR SECONDS.

- WIRING:
1. ALL WIRING TO COMPLY WITH LOCAL CODE.
2. CONDUCTORS MUST TEST FREE OF ALL GROUNDS.

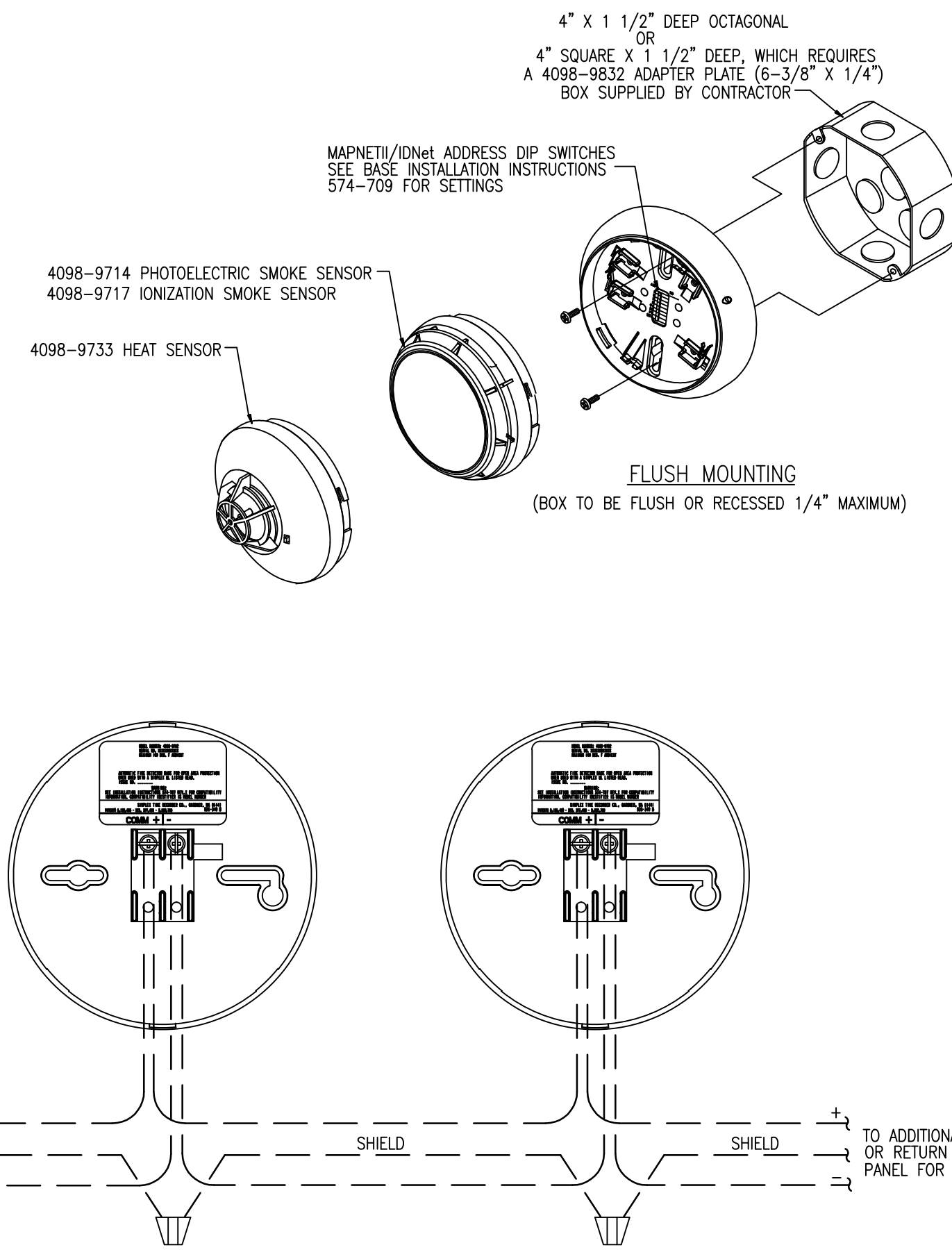


Table with columns: NO., DATE, REVISION DESCRIPTION, DEPARTMENT, COMMENTS, DATED. Includes revision 1 dated 3/20/13.

Table with columns: DRAWN BY, DATE, CHECKED BY, DATE, PROJECT NUMBER, SHEET TITLE, SHEET NUMBER. Includes project number 966796101 and sheet number FA-702.