

INSERT 4

NOTIFICATION APPLIANCES

THIS PAGE INTENTIONALLY BLANK



# TrueAlert® Multi-Candela Notification Appliances

UL, ULC, CSFM Listed; FM Approved;  
MEA (NYC) Acceptance\*

Visible Notification Appliances with Synchronized Flash;  
Non-Addressable, SmartSync™ Operation Compatible

## Features

Visible only (V/O) 24 VDC notification appliances with high output xenon strobe, available for wall or ceiling mount:

- Intensity is selectable as 15, 30, 75, or 110 candela with visible selection jumper secured behind strobe housing
- Operation is compatible with ADA requirements (refer to important installation information on page 3)
- Polarized input allows connection to compatible reverse polarity, supervised notification appliance circuit (NAC)
- Regulated circuit design ensures consistent flash output and provides controlled inrush current
- Rugged, high impact, flame retardant thermoplastic housings are available in red or white with clear lens
- Listed to UL 1971 and ULC S526

Strobes provide synchronized flash for use with:

- 4006, 4008, 4010, and 4100U Series fire alarm control panels with NACs selected to provide strobe synchronization or SmartSync two-wire control\*\*
- 4009 IDNet™ NAC Extenders
- Separate strobe Synchronization Modules that are available for Class B or Class A operation
- Separate SmartSync Control Modules (SCMs) that provide Class B or Class A output from conventional NAC inputs

Strobe housings provides flexible, easy, and convenient semi-flush or surface wall mounting:

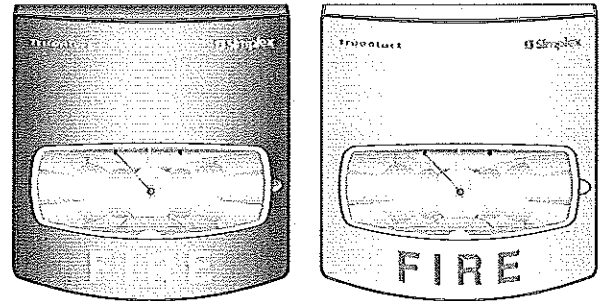
- Rear of housing does not extend into box
- Wall mount strobes easily mount to single gang, double gang, or 4-inch square outlet box
- Ceiling mount strobes mount to single gang boxes

Wall mount strobe features:

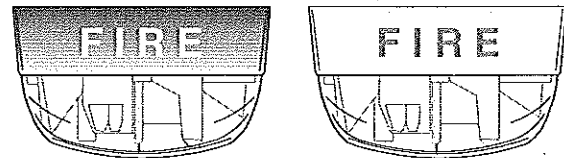
- Wiring terminals are accessible from the front of the housing providing easy access for installation, inspection, and testing
- Covers are available separately to convert housing color

Optional adapters and wire guards:

- Wall mount strobe adapters are available to cover surface mounted electrical boxes and to adapt to Simplex® 2975-9145 boxes
- UL listed red wire guards are available for wall or ceiling mount strobes\*



Wall Mount Strobes



Ceiling Mount Strobes

## Description

Multi-Candela TrueAlert synchronized strobes provide convenient installation to standard electrical boxes. The enclosure designs are both impact and vandal resistant and provide a convenient strobe intensity selection. Since each model can be selected for intensity output, on-site model inventory is minimized and changes encountered during construction can be easily accommodated.

Wall mount strobe housings are a one-piece assembly (including lens) that mounts to a single or double gang, or 4" square standard electrical box. The cover can be quickly removed (a tool is required) and covers are available separately for color conversion.

Ceiling mount strobes install using standard single gang electrical boxes. Color choice is determined by model number.

## Strobe Intensity Selection

During installation, a selection plug at the back of the housing determines the desired strobe intensity. An attached flag with black letters on a highly visible yellow background allows the selected intensity to be seen at the side of the strobe lens.

## Strobe Application Reference

Proper selection of visible notification is dependent on occupancy, location, local codes, and proper applications of: the *National Fire Alarm Code* (NFPA 72), ANSI A117.1; the appropriate model building code: BOCA, ICBO, or SBCCI; and the application guidelines of the Americans with Disabilities Act (ADA).

\*\* Simplex multi-candela SmartSync two-wire horn/strobe appliance operation is protected under one or more of the following U.S. Patent Numbers: 5,559,492; 5,622,427; 5,865,527; 5,886,620; 6,281,789; 6,954,137; 7,005,971; and 7,006,003.

\* Refer to page 2 for guard listing. This product has been approved by the California State Fire Marshal (CSFM) pursuant to Section 13144.1 of the California Health and Safety Code. See CSFM Listing 7125-0026:316 for allowable values and/or conditions concerning material presented in this document. It is subject to re-examination, revision, and possible cancellation. Refer to page 2 for listing status of wire guards. Additional listings may be applicable; contact your local Simplex product supplier for the latest status. Listings and approvals under Simplex Time Recorder Co. are the property of Tyco Safety Products Westminster.

## Synchronized Strobes

**Multiple Strobes.** When multiple strobes and their reflections can be seen from one location, synchronized flashes reduce the probability of photo-sensitive reactions as well as the annoyance and possible distraction of random flashing. These multi-candela strobes are synchronized over a two-wire circuit when connected to compatible NACs, to compatible Synchronized Flash Modules, or to SmartSync Control Modules.

## SmartSync Two-Wire Control

Some applications desire the audible notification appliances to be capable of being silenced before the alarm condition is reset (on-until-silenced) while the visible notification appliances are kept activated until the alarm condition is reset (on-until-reset). SmartSync operation mode provides this function using a single circuit (two-wire operation).

## SmartSync Control Sources

SmartSync two-wire control is available from:

- 4006, 4008, 4100U, and 4010 Fire Alarm Control Panels (refer to individual product data sheets for more information)
- 4009 IDNet NAC Extenders (refer to data sheet S4009-0002)
- SmartSync Control Module (SCM) Model 4905-9938 (refer to data sheet S4905-0003)

Additional SmartSync compatible notification appliances include separate horns and combination horn/strobe notification appliances.

## Product Selection

### Multi-Candela Visible Notification Appliances (Strobes)

Model	Mounting	Housing Color	"FIRE" Lettering	Description
4906-9101	Wall	Red	White	Multi-candela strobe with intensity selectable as: 15, 30, 75, or 110 candela; synchronized flash rate; SmartSync two-wire control compatible
4906-9103		White	Red	
4906-9102	Ceiling	Red	White	
4906-9104		White	Red	

### Wall Mount Strobe Adapters

Model	Description	Dimensions
4905-9937	Red Surface Mount Adapter Skirt; use to cover 1-1/2" (38 mm) deep surface mounted boxes	5-3/8" H x 5-1/4" W x 1-5/8" D (136 mm x 133 mm x 41 mm)
4905-9940	White Surface Mount Adapter Skirt; use to cover 1-1/2" (38 mm) deep surface mounted boxes	Total depth with strobe = 4-3/8" (111 mm)
4905-9931	Red Adapter Plate for mounting to Simplex 2975-9145 box (typically for retrofit, may be mounted vertical or horizontal)	8-5/16" x 5-3/4" x 0.060" Thick (211 mm x 146 mm x 1.5 mm)
2975-9145	Red Mounting Box, requires Adapter Plate 4905-9931	7-7/8" x 5-1/8" x 2-3/4" D (200 mm x 130 mm x 70 mm)

### Ceiling Mount Strobe Adapter

Model	Description	Dimensions
4905-9910	Surface Mount Adapter Plate; zinc plated; required for mounting to handy box; not needed when using 4905-9926 guard	4-7/8" x 3-1/8" x 0.060" D (124 mm x 79 mm x 1.5)

### Synchronization Modules (refer to data sheet S4905-0003 for additional information)

Model	Description	Dimensions
4905-9914	Class B Synchronized Flash Module; epoxy encapsulated with in/out 18 AWG (0.82 mm <sup>2</sup> ) wire leads, rated for 2 A NAC, requires 5 mA for power	1-3/8" x 2-7/16" x 13/16" (35 mm x 62 mm x 20 mm)
4905-9922	Class A Synchronized Flash Module; epoxy encapsulated with in/out 18 AWG (0.82 mm <sup>2</sup> ) wire leads, rated for 2 A NAC, requires 5 mA for power	1-3/8" x 2-7/16" x 13/16" (35 mm x 62 mm x 20 mm)
4905-9938	SmartSync Control Module with Class B or Class A output; mounts in 4" (102 mm) square box	4" x 4-1/8" x 1-1/4" D (102 mm x 105 mm x 32 mm)

### Replacement Covers and Guards

Model	Description	Dimensions
4905-9992	Red cover with white "FIRE" lettering	5-1/8" H x 5" W x 1-1/2" D (130 mm x 127 mm x 38 mm)
4905-9993	White cover with red "FIRE" lettering	
4905-9961*	Wall mount Red wire guard with mounting plate, compatible with semi-flush or surface mounted boxes	6-1/16" H x 6-1/16" W x 3-1/8" D (154 mm x 154 mm x 79 mm)
4905-9926*	Ceiling mount Red wire guard with mounting plate, compatible with semi-flush or surface mounted boxes	6-1/8" x 4-3/8" x 2-7/8" deep (156 mm x 111 mm x 73 mm)

\* UL listed by Space Age Electronics Inc.

## Strobe Specifications

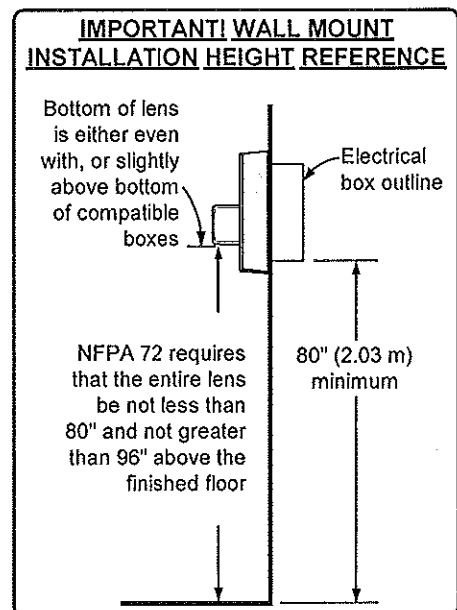
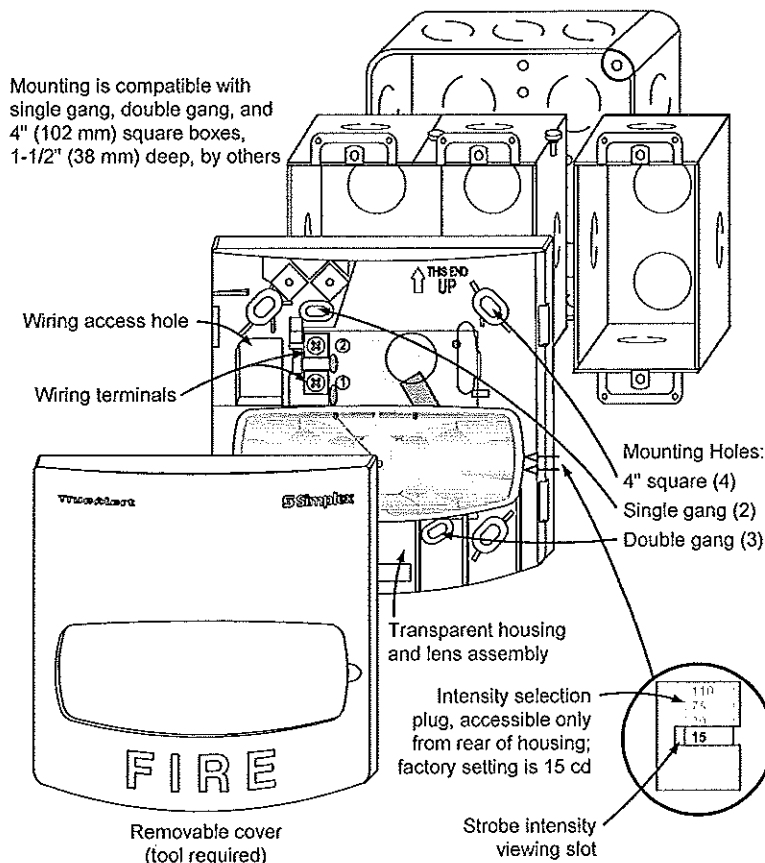
### Wall Mount or Ceiling Mount, Common Specifications

Rated Voltage Range		Regulated 24 VDC; see Note 1 below			
Flash Rate		1 Hz			
Synchronized NAC Loading		Up to 35 synchronized strobes maximum per NAC			
Temperature Range		32° to 122° F (0° to 50° C)			
Humidity Range		10% to 93%, non-condensing at 100° F (38° C)			
Connections		Terminal blocks for 18 AWG to 12 AWG (0.82 mm <sup>2</sup> to 3.31 mm <sup>2</sup> ); two wires per terminal for in/out wiring			
Wall Mount	Housing Dimensions (with lens)	5-1/8" H x 5" W x 2-3/4" D (130 mm x 127 mm x 70 mm)			
	Maximum RMS Current Rating per Strobe Setting (see Note 2 below)	15 cd	30 cd	75 cd	110 cd
		60 mA	94 mA	186 mA	252 mA
	Reference RMS Currents at other voltages	18 VDC	53 mA	84 mA	165 mA
24 VDC		40 mA	63 mA	124 mA	168 mA
Ceiling Mount	Housing Dimensions (with lens)	4-3/4" L x 2-5/16" W x 2-5/8" D (121 mm x 75 mm x 67 mm)			
	Maximum RMS Current Rating per Strobe Setting (see Note 2 below)	15 cd	30 cd	75 cd	110 cd
		75 mA	125 mA	233 mA	316 mA
	Reference RMS Currents at other voltages	18 VDC	67 mA	111 mA	207 mA
24 VDC		50 mA	83 mA	155 mA	211 mA

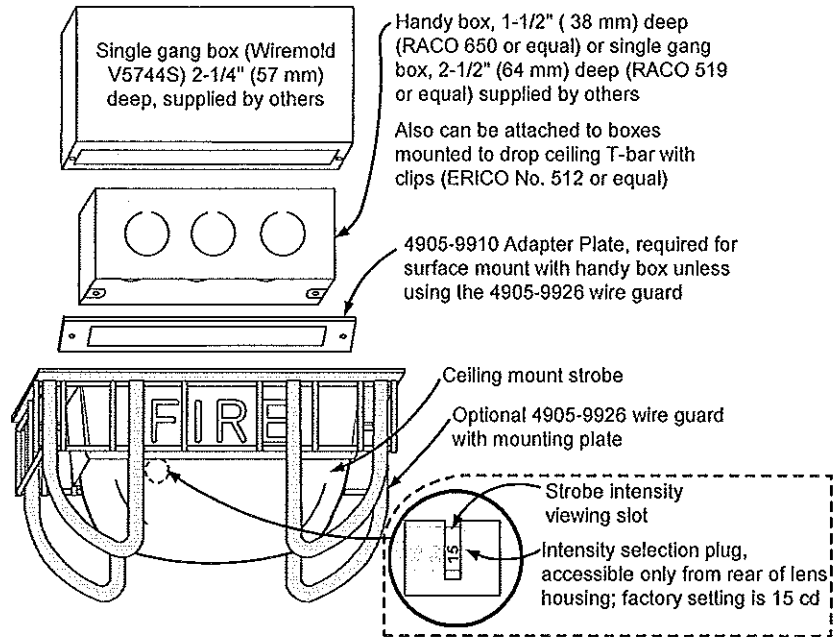
#### NOTES:

1. "Regulated 24 VDC" refers to the voltage range of 16 to 33 VDC per UL Standard 1971, *Signaling Devices for the Hearing Impaired*, changes effective May 1, 2004. This voltage range is the absolute operating range. Operation outside of this range may cause permanent damage to the strobe. Please note that 16 VDC is the lowest operating voltage that is allowed at the last appliance on the NAC under worst case conditions.
2. The maximum RMS current listed is the device nameplate rating. Strobe designs are constant wattage and the maximum RMS current rating occurs at the lowest allowable operating voltage. (RMS is root mean square and refers to the effective value of a varying current waveform.)

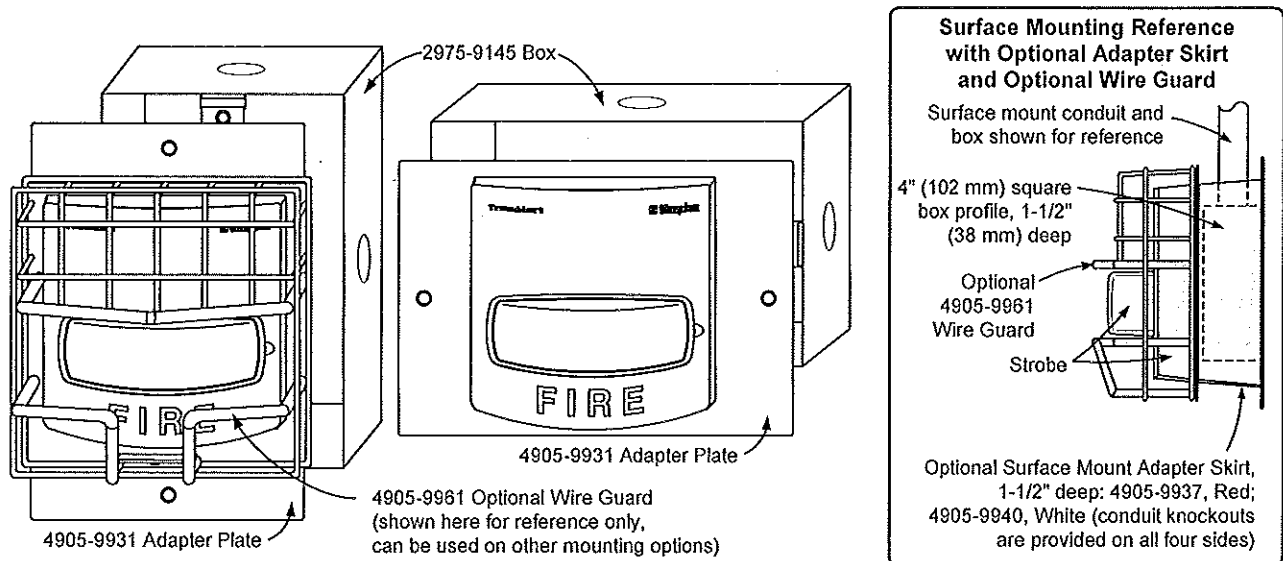
## Installation Reference, Surface or Semi-Flush Wall Mounting



## Ceiling Mount Strobe Installation Reference



## Wall Mount Installation Reference; Adapter Plate, Guard, and Adapter Skirt



Tyco is a registered trademark of Tyco International Services GmbH and is used under license. Simplex, the Simplex logo, IDNet, TrueAlert, and SmartSync are trademarks of Tyco International Ltd. and its affiliates and are used under license. NFPA 72 and National Fire Alarm Code are registered trademarks of the National Fire Protection Association (NFPA).



Tyco Safety Products Westminster • Westminster, MA • 01441-0001 • USA

S4906-0001-4 9/2009

www.tycosafetyproducts-usa-wm.com

© 2009 Tyco Safety Products Westminster. All rights reserved. All specifications and other information shown were current as of document revision date and are subject to change without notice.



## TrueAlert® Multi-Candela Notification Appliances

UL, ULC, CSFM Listed; FM Approved;  
MEA (NYC) Acceptance\*

SmartSync™ Operation Audible/Visible Notification  
with Horn and Synchronized Flash, Non-Addressable

### Features

**Audible/visible (A/V) notification appliances with efficient electronic horn and high output xenon strobe, available for wall or ceiling mount:**

- Operation is compatible with ADA requirements (refer to important installation information on page 3)
- Rugged, high impact, flame retardant thermoplastic housings are available in red or white with clear lens

**Operates over a two-wire SmartSync circuit to provide:**

- Horns that are controlled separately from strobes on the same two-wire circuit
- “On-until-silenced” and “on-until-reset” operation on the same two-wire pair
- SmartSync horn activation of Temporal pattern, March Time pattern (at 60 BPM), or on continuously
- Strobe appliances on the same circuit operating at a synchronized 1 Hz flash rate
- Operation requires connection to a compatible SmartSync operation NAC or to SmartSync Control Module (SCM) 4905-9938

#### Wall mount A/Vs features:

- Wiring terminals are accessible from the front of the housing providing easy access for installation, inspection, and testing
- Covers are available separately to convert housing color
- Optional UL/ULC listed sound damper for locations requiring attenuation of 5 to 6 dBA (stairwells, small rooms, highly reverberant areas, etc.)

#### Optional adapters and wire guards:

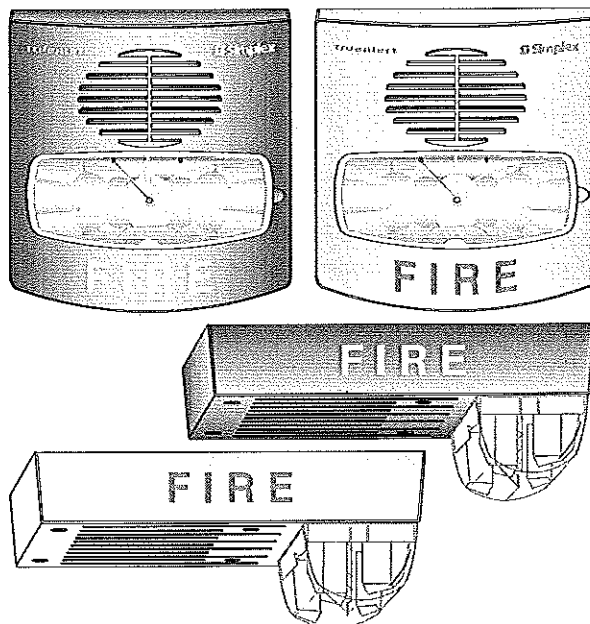
- Wall mount A/V adapters are available to cover surface mounted electrical boxes and to adapt to Simplex® 2975-9145 boxes
- UL listed red wire guards are available for wall or ceiling mount A/Vs\*

#### Visible notification appliance (strobe):

- 24 VDC xenon strobe; intensity is selectable as 15, 30, 75, or 110 candela with visible selection jumper secured behind strobe housing
- Regulated circuit design ensures consistent flash output and provides controlled inrush current
- Listed to UL 1971 and ULC S526

#### Audible notification appliance (horn):

- Low current, 24 VDC electronic horn with harmonically rich sound output suitable for either steady or coded operation (Temporal or 60 BPM March Time pattern)
- Listed to UL 464 and ULC S525



Wall and Ceiling Mount A/Vs

### Description

**Multi-Candela TrueAlert A/Vs with horn and synchronized strobe** provide convenient installation to standard electrical boxes. The enclosure designs are both impact and vandal resistant and provide a convenient strobe intensity selection. Since each model can be selected for strobe intensity output, on-site model inventory is minimized and changes encountered during construction can be easily accommodated.

**Wall mount A/V housings** are a one-piece assembly (including lens) that mounts to a single or double gang, or 4” square standard electrical box. The cover can be quickly removed (a tool is required) and covers are available separately for color conversion.

**Ceiling mount A/Vs** install using standard 4” electrical boxes. Color choice is determined by model number.

### Strobe Intensity Selection

During installation, a selection plug at the back of the housing determines the desired strobe intensity. An attached flag with black letters on a highly visible yellow background allows the selected intensity to be seen at the side of the strobe lens.

\* Refer to page 2 for guard listing. This product has been approved by the California State Fire Marshal (CSFM) pursuant to Section 13144.1 of the California Health and Safety Code. See CSFM Listing 7125-0026:317 for allowable values and/or conditions concerning material presented in this document. It is subject to re-examination, revision, and possible cancellation. Accepted for use – City of New York Department of Buildings – MEA35-93E. Refer to page 2 for listing status of wire guards. Additional listings may be applicable; contact your local Simplex product supplier for the latest status. Listings and approvals under Simplex Time Recorder Co. are the property of Tyco Safety Products Westminster.

\*\* Simplex multi-candela SmartSync two-wire horn/strobe appliance operation is protected under one or more of the following U.S. Patent Numbers: 5,559,492; 5,622,427; 5,865,527; 5,886,820; 6,281,789; 6,954,137; 7,005,971; and 7,006,003.

## Strobe Application Selection

Proper selection of visible notification is dependent on occupancy, location, local codes, and proper applications of: the *National Fire Alarm Code* (NFPA 72), ANSI A117.1; the appropriate model building code: BOCA, ICBO, or SBCCI; and the application guidelines of the Americans with Disabilities Act (ADA).

## Synchronized Strobes

**Multiple Strobes.** When multiple strobes and their reflections can be seen from one location, synchronized flashes reduce the probability of photo-sensitive reactions as well as the annoyance and possible distraction of random flashing. The multi-candela strobes of these A/Vs are synchronized by the controlling SmartSync operation NAC.

## SmartSync Two-Wire Control

SmartSync operation mode allows a two-wire circuit to provide the ability to activate both the horn and strobe on the same NAC and then allow the horn to be silenced while the strobe remains flashing. The horn operates as "on-until-silenced" while the strobe operation is "on-until-reset."

## SmartSync Control Sources

- 4006, 4008, 4100U, and 4010 Fire Alarm Control Panels (refer to individual product data sheets for more information)
- 4009 IDNet NAC Extender (refer to data sheet S4009-0002)
- SmartSync Control Module (SCM) 4905-9938 (refer to data sheet S4905-0003)

**Additional SmartSync compatible notification appliances include separate horns and combination horn/strobe notification appliances.**

## Product Selection

### Multi-Candela A/Vs

Model	Mounting	Housing Color	"FIRE" Lettering	Description
4906-9127	Wall	Red	White	Horn with Multi-Candela Strobe; strobe intensity selectable as: 15, 30, 75, or 110 candela; operates with SmartSync two-wire control
4906-9129		White	Red	
4906-9128	Ceiling	Red	White	
4906-9130		White	Red	

### Wall Mount A/V Accessories

Model	Description	Dimensions
4905-9937	Surface Mount Adapter Skirt; use to cover 1-1/2" (38 mm) deep surface mounted boxes	5-3/8" H x 5-1/4" W x 1-5/8" D (136 mm x 133 mm x 41 mm) depth with strobe = 4-3/8" (111 mm)
4905-9940		
4905-9931	Red Adapter Plate for mounting to Simplex 2975-9145 box (typically for retrofit, may be mounted vertical or horizontal)	8-5/16" x 5-3/4" x 0.060" Thick (211 mm x 146 mm x 1.5 mm)
2975-9145	Red Mounting Box, requires Adapter Plate 4905-9931	7-7/8" x 5-1/8" x 2-3/4" D (200 mm x 130 mm x 70 mm)
4905-9838	Optional Sound Damper; package of 20; field installed adhesive backed horn output attenuator; reduces output 5 to 6 dBA NOTE: After Sound Damper installation, measure sound level to ensure compliance with applicable code requirements	1-3/4" Diameter (44.5 mm) with 0.31" (8 mm) sound opening

### SmartSync Control Module

Model	Description	Dimensions
4905-9938	SmartSync Control Module with Class B or Class A output; mounts in 4" (102 mm) square box; refer to data sheet S4905-0003 for details	4" x 4-1/8" x 1-1/4" D (102 mm x 105 mm x 32 mm)

### Replacement Covers for Wall Mount A/Vs

Model	Description	Dimensions
4905-9994	Red cover with white "FIRE" lettering	5-1/8" H x 5" W x 1-1/2" D (130 mm x 127 mm x 38 mm)
4905-9995	White cover with red "FIRE" lettering	

### Wire Guards and Ceiling Mount A/V Adapter

Model	Description	Dimensions
4905-9961*	Wall mount red wire guard with mounting plate, compatible with semi-flush or surface mounted boxes	6-1/16" H x 6-1/16" W x 3-1/8" D (154 mm x 154 mm x 79 mm)
4905-9927*	Red Wire Guard for mounting to flush mounted electrical box	8-1/2" x 6-1/8" x 3" (216 mm x 156 mm x 76 mm)
4905-9928*	Red Adapter Plate, required to mount guard to surface mounted electrical box	9" x 7" (229 mm x 178 mm)
4905-9915	Surface Mount Adapter Box Extension, use to cover 1-1/2" deep surface mounted boxes	4-3/4" x 6-7/8" x 1-1/2" deep, (121 mm x 175 mm x 38 mm)
4905-9916		
	Red	

\* UL listed by Space Age Electronics Inc.



## A/V Specifications

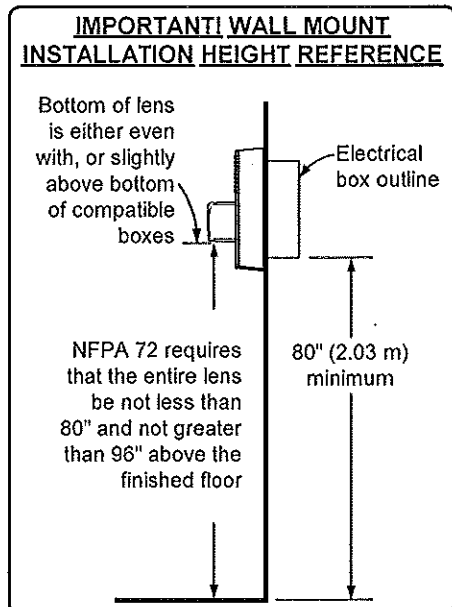
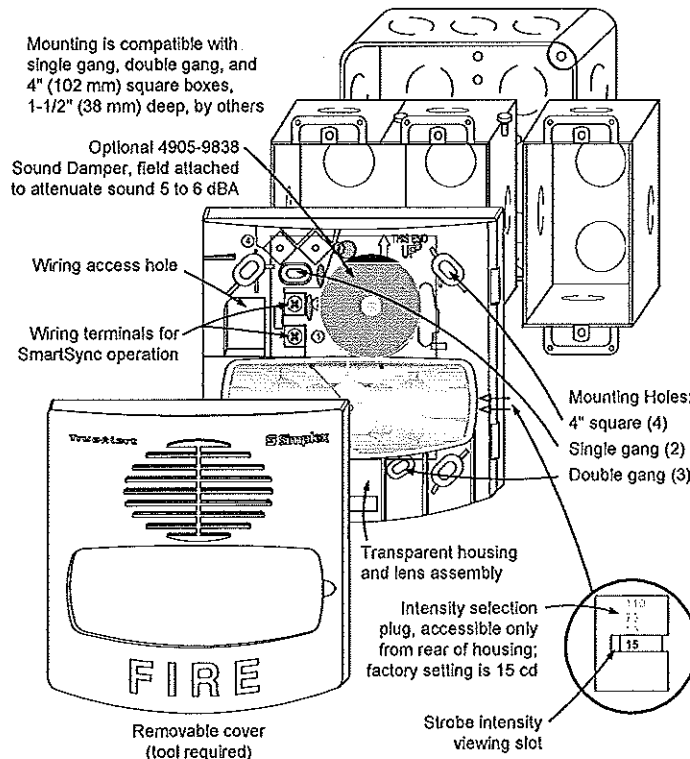
### Wall Mount or Ceiling Mount, Common Specifications

Rated Voltage Range		Regulated 24 DC; see Note 1 below			
Flash Rate and Synchronized NAC Loading		1 Hz; with up to 35 synchronized strobes maximum per NAC			
Environmental; Temperature and Humidity		32° to 122° F (0° to 50° C); 10% to 93%, non-condensing at 100° F (38° C)			
Connections		Terminal blocks for 18 AWG to 12 AWG (0.82 mm <sup>2</sup> to 3.31 mm <sup>2</sup> ); two wires per terminal for in/out wiring			
Horn Output Characteristics		2400 to 3700 Hz sweep, modulated at 120 Hz rate			
Horn Output Ratings (see Note 2 for polar dispersion reference)	Model Type	Wall Mount		Ceiling Mount	
	Sound Type (see Note 2)	Steady	Coded	Steady	Coded
	Reverberant Chamber Test, per UL 464 @ 10 ft (~3 m)	86 dBA	82 dBA	87 dBA	83 dBA
	Anechoic Chamber Test, per ULC S525 @ 3 m (~10 ft)	88 dBA	94 dBA	90 dBA	98 dBA
Wall Mount	Housing Dimensions (with lens)	5-1/8" H x 5" W x 2-3/4" D (130 mm x 127 mm x 70 mm)			
	Maximum RMS Current Rating per Strobe Setting (see Note 3 below)	15 cd	30 cd	75 cd	110 cd
		75 mA	116 mA	221 mA	285 mA
	Reference RMS Currents at other voltages	18 VDC	67 mA	103 mA	196 mA
24 VDC		50 mA	77 mA	147 mA	190 mA
Ceiling Mount	Housing Dimensions (with lens)	4-3/4" L x 6-7/8" W x 2-5/8" D (121 mm x 175 mm x 67 mm)			
	Maximum RMS Current Rating per Strobe Setting (see Note 3 below)	15 cd	30 cd	75 cd	110 cd
		86 mA	132 mA	250 mA	320 mA
	Reference RMS Currents at other voltages	18 VDC	76 mA	117 mA	222 mA
24 VDC		57 mA	88 mA	167 mA	213 mA

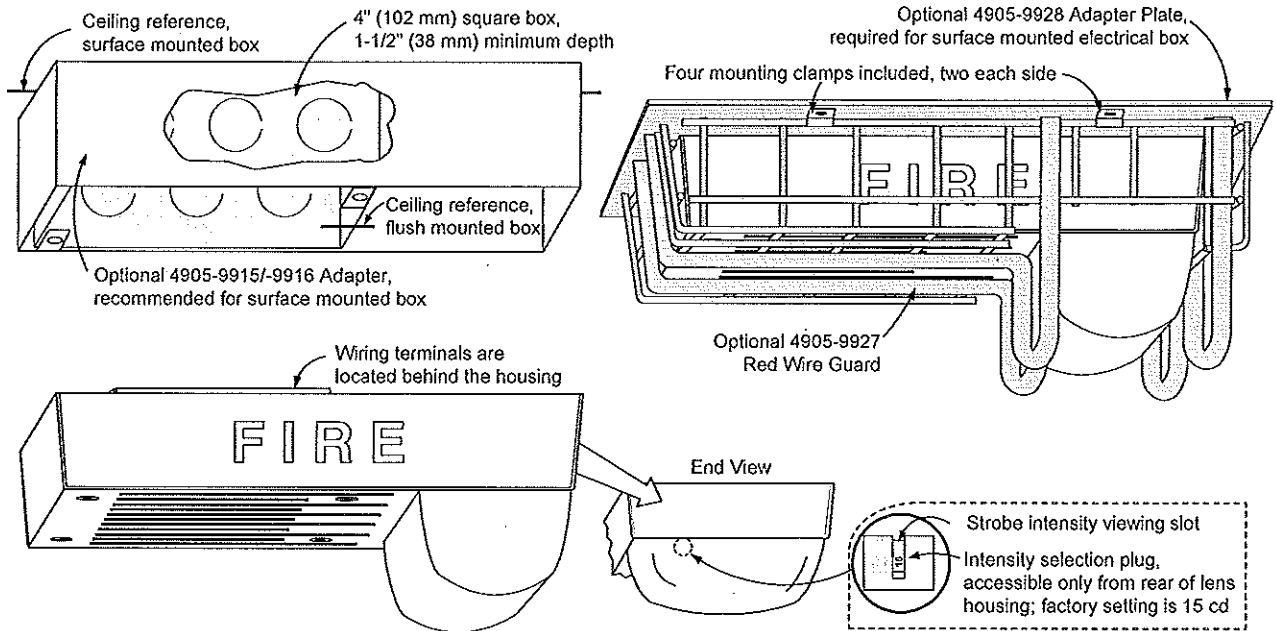
#### NOTES:

- "Regulated 24 DC" refers to the voltage range of 16 to 33 VDC per UL Standard 1971, *Signaling Devices for the Hearing Impaired*, changes effective May 1, 2004. This voltage range is the absolute operating range. Operation outside of this range may cause permanent damage to the appliance. Please note that 16 VDC is the lowest operating voltage that is allowed at the last appliance on the NAC under worst case conditions.
- Coded values are typical of the output measured with a Temporal coded or a March Time coded pulse and with a sound level meter reading on a "fast" setting. Polar dispersion per ULC S525 testing = -3 dBA at +/-40° off-axis; -6 dBA at +/- 50° off-axis.
- Currents are with horn on steady. The maximum RMS current listed is the device nameplate rating. Strobe designs are constant wattage and the maximum RMS current rating occurs at the lowest allowable operating voltage. (RMS is root mean square and refers to the effective value of a varying current waveform.)

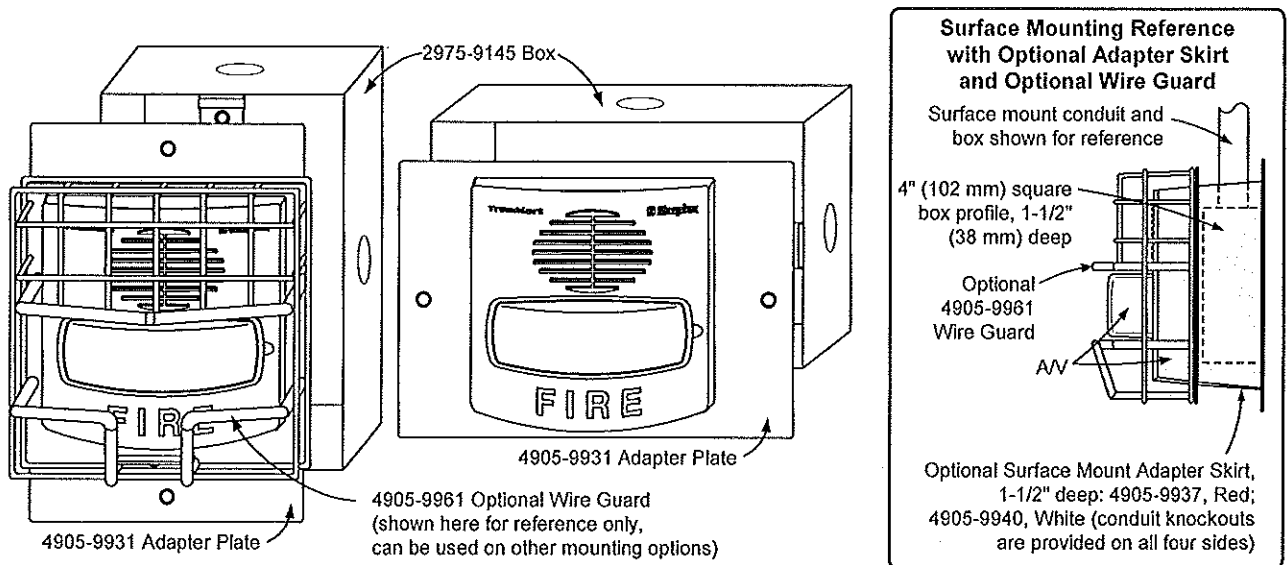
## Installation Reference, Surface or Semi-Flush Mounting



## Ceiling Mount A/V and Guard Installation Reference



## Wall Mount Installation Reference; Adapter Plate, Guard, and Adapter Skirt



Tyco is a registered trademark of Tyco International Services GmbH and is used under license. Simplex, the Simplex logo, IDNet, TrueAlert, and SmartSync are trademarks of Tyco International Ltd. and its affiliates and are used under license. NFPA 72 and National Fire Alarm Code are trademarks of the National Fire Protection Association (NFPA).



Tyco Safety Products Westminster • Westminster, MA • 01441-0001 • USA

S4906-0002-5 9/2009

www.tycosafetyproducts-usa-wm.com

© 2009 Tyco Safety Products Westminster. All rights reserved. All specifications and other information shown were current as of document revision date and are subject to change without notice.



# TrueAlert® Multi-Candela Notification Appliances

UL, ULC, CSFM Listed;  
FM Approved\*

Weatherproof Notification Appliances (non-addressable)  
Wall Mount Visible Only (V/O) and Audible/Visible (A/V)

## Features

Weatherproof 24 VDC notification appliances for extended temperature and extended humidity operation:

- NEMA 3R rated enclosure with ratings for indoor or outdoor applications
- Rugged, high impact, flame retardant thermoplastic housings are available in red or white with clear lens
- Red housings are for indoor or outdoor applications and provide UV light stable color
- White housings are for indoor applications with limited UV light exposure
- Mounting is to matching weatherproof boxes (required), ordered separately
- Wiring terminals are accessible from the front of the housing providing easy access for installation, inspection, and testing

### Agency listings reference:

- UL listed to Standard 1638 for outdoor applications with strobe rated at 75 cd (WP75)
- UL listed to Standard 1971 for indoor applications with strobe intensity selectable as 15, 60, or 75 candela; indoor applications are compatible with ADA requirements (refer to important installation information on page 4)
- Separate models are ULC listed to Standard S526 (strobes) and S525 (horns) for outdoor applications with strobe intensity selectable as 5, 20, or 30 candela (available in red only)

### Operation details:

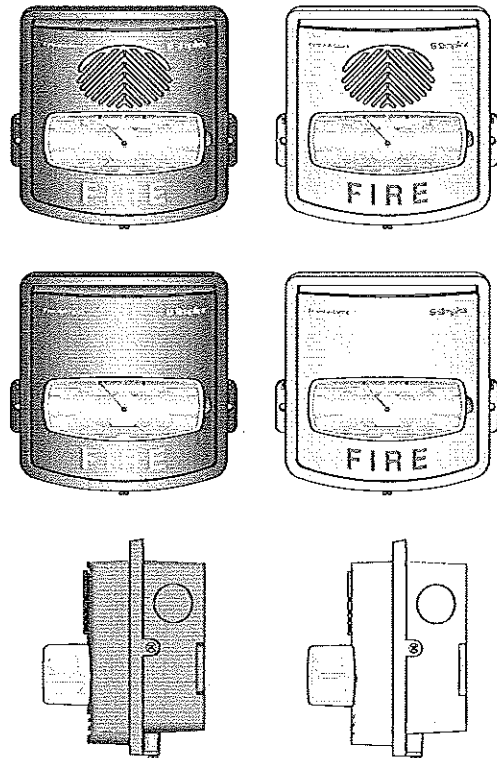
- A visible intensity selection jumper is secured behind the strobe housing
- Polarized input allows connection to compatible reverse polarity, supervised notification appliance circuit (NAC)
- Regulated circuit design ensures consistent flash output and provides controlled inrush current
- A/V appliances have an efficient electronic horn

### Synchronized strobe compatibility:

- Simplex® fire alarm control panels and NAC Extenders when selected to provide strobe synchronization or SmartSync™ two-wire control\*\*
- Separate strobe Synchronization Modules or SmartSync Control Modules (SCMs) that convert conventional NAC inputs to a SmartSync output

### SmartSync two-wire operation provides:

- Horns controlled separately from strobes on the same two-wire circuit, activated as Temporal pattern, March Time pattern (at 60 BPM), or on continuously



Weatherproof A/V (top) and Strobe (middle), side view of A/V on Weatherproof Mounting Boxes (bottom)

## Description

Weatherproof multi-candela TrueAlert appliances provide V/O and A/V SmartSync operation for indoor and outdoor, extended temperature and extended humidity applications. The enclosures are impact and vandal resistant and provide a convenient strobe intensity selection. Since each model can be selected for intensity output, on-site model inventory is minimized and changes encountered during construction can be easily accommodated.

## Strobe Intensity Selection

During installation, a selection plug at the back of the housing determines the desired strobe intensity. An attached flag with black letters on a yellow background allows the selected intensity to be seen at the side of the strobe lens.

\* This product has been approved by the California State Fire Marshal (CSFM) pursuant to Section 13144.1 of the California Health and Safety Code. See CSFM Listing 7125-0026:331 for allowable values and/or conditions concerning material presented in this document. It is subject to re-examination, revision, and possible cancellation. Additional listings may be applicable; contact your local Simplex product supplier for the latest status. Listings and approvals under Simplex Time Recorder Co. are the property of Tyco Safety Products Westminster.

\*\* Simplex multi-candela SmartSync two-wire horn/strobe appliance operation is protected under one or more of the following U.S. Patent Numbers: 5,559,492; 5,622,427; 5,865,527; 5,886,620; 6,281,789; 6,954,137; 7,005,971; and 7,006,003.

## Strobe Application Reference

Proper selection of weatherproof notification is dependent on occupancy, location, local codes, and proper applications of: the *National Fire Alarm Code* (NFPA 72), ANSI A117.1; the appropriate model building code: BOCA, ICBO, or SBCCI; and the application guidelines of the Americans with Disabilities Act (ADA). Requirements may differ from indoor appliance applications, contact your local authority having jurisdiction (AHJ) to assist in determining requirements.

## SmartSync Two-Wire Control

SmartSync operation mode allows a two-wire circuit to provide the ability to activate both the horn and strobe on the same NAC and then allow the horn to be silenced while the strobe remains flashing. The horn operates as "on-until-silenced" while the strobe operation is "on-until-reset."

## SmartSync Control Sources

SmartSync two-wire control is available from:

- 4006, 4008, 4100U, and 4010 Fire Alarm Control Panels (refer to individual product data sheets for more information)
- 4009 IDNet NAC Extenders (refer to data sheet S4009-0002)
- SmartSync Control Module (SCM) Model 4905-9938 (refer to data sheet S4905-0003)
- Additional SmartSync compatible notification appliances include separate horns and combination horn/strobe notification appliances.

## Product Selection

### UL Listed TrueAlert Weatherproof Multi-Candela Notification Appliances

Model	Type	Housing	"FIRE" Lettering	Description	UL 1971 Intensity Rating	UL 1638 Intensity Rating
4906-9105	Strobe (V/O)	Red	White	UL listed weatherproof appliance with multi-candela strobe; requires weatherproof box below	15, 60, or 75 cd	75 cd (setting WP75)
4906-9106		White	Red			
4906-9131	Horn/Strobe (A/V)	Red	White			
4906-9132		White	Red			

### ULC Listed TrueAlert Weatherproof Multi-Candela Notification Appliances

Model	Type	Housing	"FIRE" Lettering	Description	ULC Intensity Ratings
4906-9113	Strobe (V/O)	Red	White	ULC listed weatherproof appliance with multi-candela strobe; requires weatherproof box below	5, 20, or 30 cd
4906-9143	Horn/Strobe (A/V)				

### Wall Mount Weatherproof Boxes (Required)

Model	Description	Dimensions
4905-9828	Red	5-1/2" H x 6-1/8" W x 1-5/8" D (140 mm x 156 mm x 41 mm)
4905-9829	White	

### Aftermarket Red Bilingual (French/English) Covers (for field installation)

Model	Description	
4905-9832	Red strobe (V/O) cover	White "FEU/FIRE" lettering
4905-9833	Red horn/strobe (A/V) cover	

### Synchronization Module Reference (refer to data sheet S4905-0003 for additional information)

Model	Description	Dimensions
4905-9914	Class B	1-3/8" x 2-7/16" x 13/16" (35 mm x 62 mm x 20 mm)
4905-9922	Class A	
4905-9938	SmartSync Control Module with Class B or Class A output; mounts in 4" (102 mm) square box	4" x 4-1/8" x 1-1/4" D (102 mm x 105 mm x 32 mm)

## Specifications

Rated Voltage Range	Regulated 24 VDC; see Note 1 below	
Flash Rate	1 Hz; Up to 24 synchronized strobes maximum per NAC	
Temperature Range	UL 1971 Listed Rating	32° to 122° F (0° to 50° C); selectable 15/30/75 cd
	UL 1638 Listed Rating	-31°F to 150°F (-35° C to 66°C); 75 cd rating
	ULC S526 & S525 Listed Rating	-40°F to 150°F (-40° C to 66°C); 5/20/30 cd rating
Humidity Range	UL 1971 Listed Rating	10% to 93%, at 100° F (38° C)
	UL 1638, ULC S526, & ULC S525	up to 98%, at 104° F (40° C)
Wiring Connections	Terminal blocks for 18 AWG to 12 AWG (0.82 mm <sup>2</sup> to 3.31 mm <sup>2</sup> ); two wires per terminal for in/out wiring	

### Horn Output; Models 4906-9131, 4906-9132, & 4906-9143; UL & ULC Ratings as noted

Output Sound Characteristics	2400 to 3700 Hz sweep, modulated at 120 Hz rate						
Horn Output Ratings @ 10 ft (3 m) (see Note 2)	Voltage	16 VDC		24 VDC		33 VDC	
	Sound Type (see Note 2)	Steady	Coded	Steady	Coded	Steady	Coded
	UL 464 Reverberant Chamber	80 dBA	76 dBA	83 dBA	79 dBA	86 dBA	81 dBA
	ULC S525 Anechoic Chamber	96 dBA	96 dBA	99 dBA	99 dBA	101 dBA	101 dBA

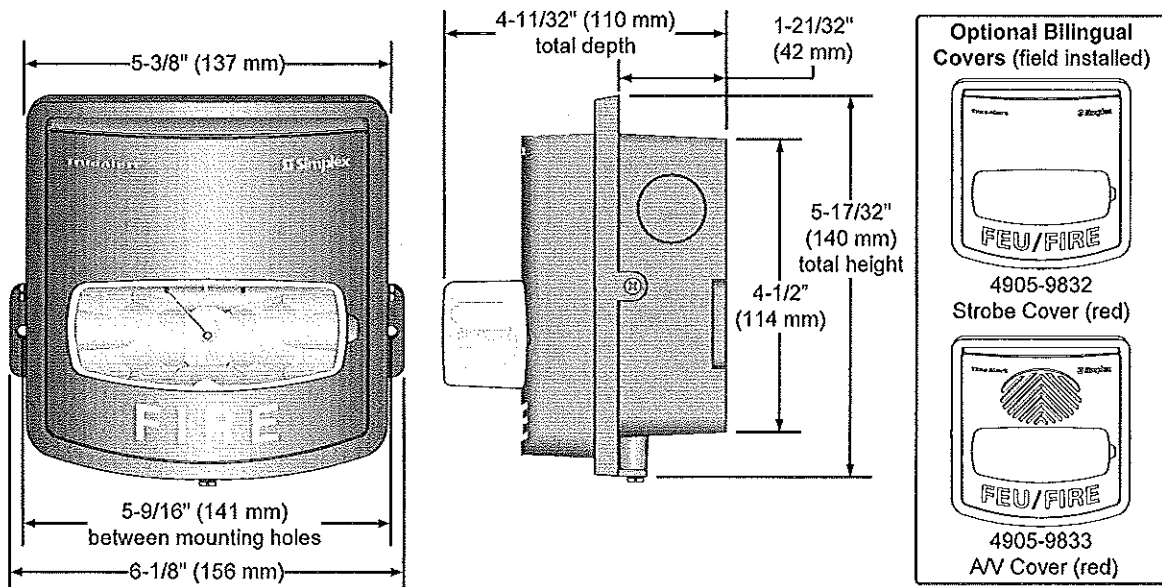
### Maximum RMS Current Ratings (see Note 3 below)

Model	Intensity Selection/Temperature	UL 1971 Ratings (32° F to 122° F)			UL 1638 Ratings 75 cd (WP75)	
		15 cd	60 cd	75 cd	32° F to 150°F (0° C to 66°C)	-31° F to below 32°F (-35° C to 0° C)
V/O Models 4906-9105 & 4906-9106		77 mA	192 mA	231 mA	189 mA	273 mA
A/V Models 4906-9131 & 4906-9132		91 mA	204 mA	249 mA	205 mA	277 mA
ULC S526/S525 Ratings per Intensity Selection						
Model		5 cd	20 cd	30 cd		
V/O Model 4906-9113		115 mA	270 mA	295 mA		
A/V Model 4906-9143		125 mA	275 mA	322 mA		

#### NOTES:

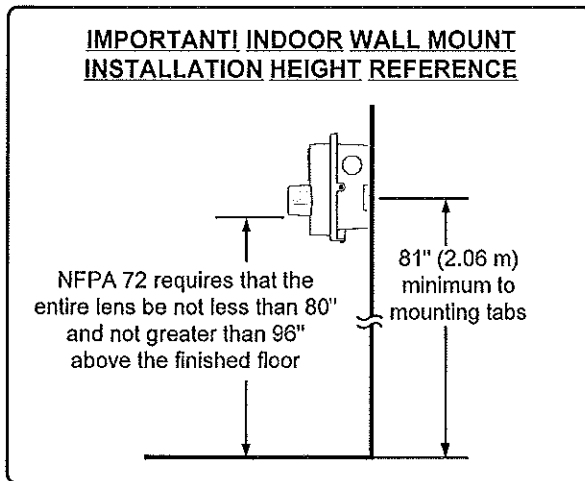
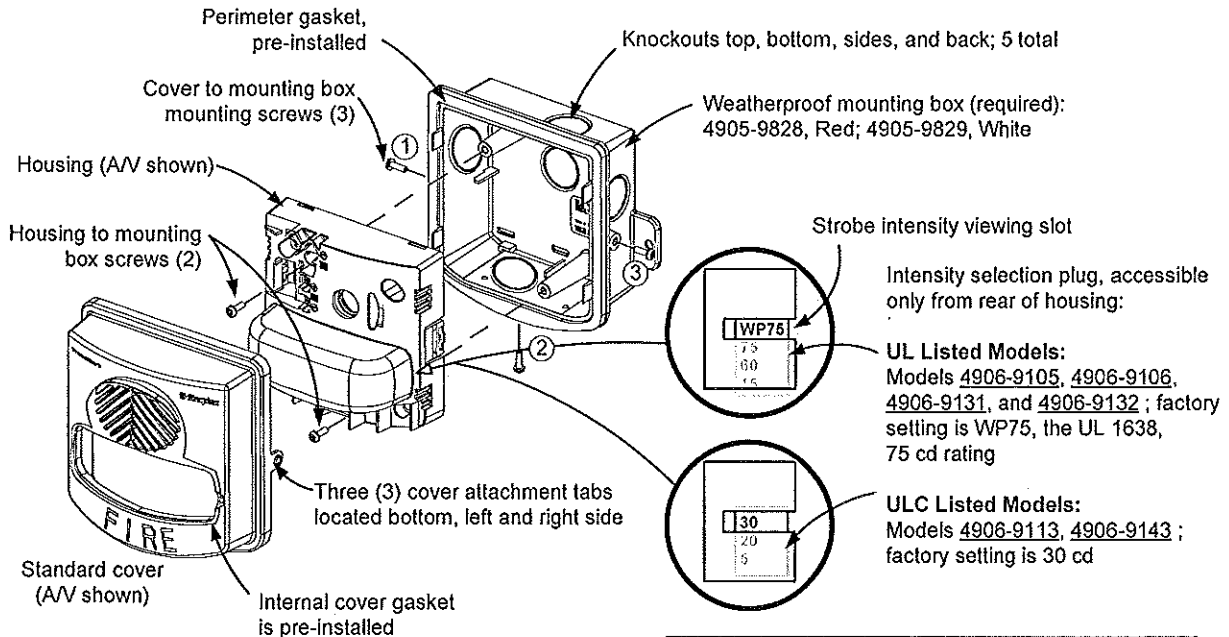
1. "Regulated 24 VDC" refers to the voltage range of 16 to 33 VDC per UL 1971 and UL 1638. This voltage range is the absolute operating range. Operation outside of this range may cause permanent damage to the strobe. Please note that 16 VDC is the lowest operating voltage that is allowed at the last appliance on the NAC under worst case conditions.
2. Coded values are typical of the output measured with a Temporal coded or a March Time coded pulse and with a sound level meter reading on a "fast" setting. Under the same test conditions, coded horn output "peak" sound level readings are typically 4 dBA higher. Anechoic horn output ratings are typically more representative of actual installed sound output.
3. Currents of A/Vs are with horn on steady. The maximum RMS current listed is the device nameplate rating. Strobe designs are constant wattage and the maximum RMS current rating occurs at the lowest allowable operating voltage. (RMS is root mean square and refers to the effective value of a varying current waveform.)

## Dimension and Optional Cover Reference



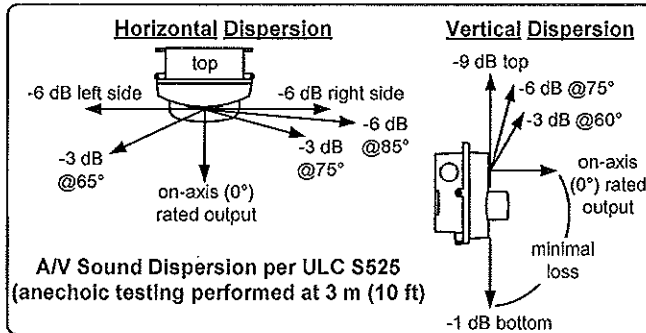
## Weatherproof Appliance Installation Reference

**NOTE:** For detailed installation information, refer to Installation Instructions 579-857 for UL listed products, and Installation Instructions 579-885 for ULC listed products.



**Polar Light Dispersion Reference, Each Intensity Selection; Percent of Rated Light Output at 77° F (25° C)**

Angle Below Axis	Vertical Dispersion		Horizontal Dispersion		Typical Output
	UL 1971 Minimum	Typical Output	Angle from Axis	UL 1971 Minimum	
0	100%	322%	0	100%	320%
5	90%	217%	±5	90%	214%
10	90%	168%	±10	90%	177%
15	90%	179%	±15	90%	175%
20	90%	210%	±20	90%	174%
25	90%	184%	±25	90%	170%
30	90%	149%	±30	75%	169%
35	65%	172%	±35	75%	157%
40	46%	189%	±40	75%	151%
45	34%	203%	±45	75%	138%
50	27%	152%	±50	55%	130%
55	22%	166%	±55	45%	121%
60	18%	166%	±60	40%	117%
65	16%	164%	±65	35%	109%
70	15%	163%	±70	35%	105%
75	13%	159%	±75	30%	98%
80	12%	138%	±80	30%	90%
85	12%	113%	±85	25%	78%
90	12%	88%	±90	25%	67%



**WP75 Intensity Selection Light Output Reference**

Angle	Vertical, Below Axis		Horizontal, Left/Right of Axis	
	On-Axis 0°	45°	90°	45°
UL 1638 Minimum Candela Rating (over temperature range)	75	35	10	32
Typical Candela at 77° F (25° C)	215	103	24	94

Tyco is a registered trademark of Tyco International Services GmbH and is used under license. Simplex, the Simplex logo, IDNet, TrueAlert, and SmartSync are trademarks of Tyco International Ltd. and its affiliates and are used under license. NFPA 72 and National Fire Alarm Code are registered trademarks of the National Fire Protection Association (NFPA).



Tyco Safety Products Westminster • Westminster, MA • 01441-0001 • USA  
www.tycosafetyproducts-usa-wm.com

S4906-0010-2 12/2009

© 2009 Tyco Safety Products Westminster. All rights reserved. All specifications and other information shown were current as of document revision date and are subject to change without notice.