

Battery Compatibility for Fire Alarm Control Panel Mounting

NOTE: Refer to individual fire alarm control panel product data sheets for additional battery application information

Battery Model	Capacity	Simplex Control Panel Model Series (see legend and notes below)									
		4003EC	4004R	4005	4006 & 4008	4009 (all models)	4010	4010ES	4100ES/4100U	4100 & 4120 (2, 4 or 6-Unit)	4020 (2, 4 or 6-Unit)
2081-9272	6.2 Ah	✓	✓	✓	✓	✓	✓	✓	✓	✓	✓
2081-9274	10 Ah	✓	✓	✓	✓	✓	✓	✓	✓	✓	✓
2081-9288	12.7 Ah	✓	✓	✓	✓	✓	✓	✓	✓	✓	✓
2081-9275	18 Ah	Ext	Note 3	✓	Ext	Ext	Note 2	✓	✓	✓	✓
2081-9287	25 Ah	Ext	Note 3	Ext	Ext	NA	✓	✓	✓	✓	Ext
2081-9271 rectangular	33 Ah	Ext	Note 3	Ext	NA	NA	Note 3	✓	✓	Ext	Note 4
2081-9276 "square"	33 Ah	Ext	Note 3	Ext	NA	NA	Note 3	✓	✓	✓	Ext
2081-9296	50 Ah	NA	Note 3	NA	NA	NA	Note 3	Note 6	2 or 3 bay	Ext	Ext
2081-9279	110 Ah	Requires external battery cabinet, compatible with 4100ES, 4010ES, 4100, and 4120 Series only									

✓ = Can be placed in the respective equipment cabinet

Ext = External battery cabinet is required, refer to selection chart on page 4

NA = Not applicable/not compatible

NOTES:

- These batteries meet the requirements of UL, ULC, and Factory Mutual for use with respective equipment battery chargers listed above. Contact your local Simplex product supplier for proper battery selection per system requirements.
- 4010 Cabinets will accommodate 2081-9275, 18 Ah batteries, but will not allow bottom entry conduit.
- Use 4081 series companion cabinet and charger, refer to page 4.
- 4020 Cabinets will accommodate 2081-9271, 33 Ah batteries, but will not allow bottom entry conduit.
- Some control panel models are listed for battery replacement reference only.
- For 2 bay international applications only, 50 Ah batteries will fit in the cabinet.

External Battery Cabinet Compatibility Reference

Battery Cabinets without Chargers (connects to charger in panel)

Cabinet	Panel Compatibility	Battery					
		2081-9275 18 Ah*	2081-9287 25 Ah	2081-9271 Rectangular 33 Ah	2081-9276 Square 33 Ah	2081-9296 50 Ah	2081-9279 110 Ah
2081-9280	4100ES, 4010ES, 4100U, and 4100+	NA	NA	NA	NA	NA	✓
2081-9281 2081-9282	multiple	✓	✓	✓	✓	✓	NA
4009-9801	multiple	✓	✓**	NA	NA	NA	NA
4009-9802	multiple	✓	NA	✓	NA	NA	NA

Battery Cabinets with Chargers

Cabinet	Panel Compatibility	2081-9275 18 Ah*	2081-9287 25 Ah	2081-9271 Rectangular 33 Ah	2081-9276 Square 33 Ah	2081-9296 50 Ah	2081-9279 110 Ah
4081-9301 4081-9302	4004R and 4010	✓	✓	✓	✓	✓	NA
4081-9306 4081-9308	4100ES, 4010ES, and 4100U	NA	NA	NA	NA	✓	✓

* Batteries smaller than those listed are normally mounted in the product cabinet

** 25 Ah capacity was effective as of 7/2005.

✓ = Can be placed in the respective equipment cabinet

NA = Not applicable/not compatible

External Battery Cabinet Specification Reference

Battery Cabinets Without Chargers; Shallow Design with Front Door

Model	Color	Listings	Description	Dimensions
2081-9281	Beige	UL and FM	2-Unit, 4100 style cabinet without charger; with locking solid door and battery shelf, primarily for use with 50 Ah batteries	25-3/4" W x 20-3/4" H x 6-3/4" D (654 mm x 527 mm x 171 mm)
2081-9282	Red			
4003-9860	Beige	Multiple	Intended for use with 4003EC systems, for up to 33 Ah batteries (refer to 4003EC data sheet S4003-0002)	9-1/2" H x 24" W x 9" D (241 mm x 610 mm x 229 mm)
4009-9801*	Beige	UL and FM	For up to 25 Ah batteries*	16-1/4" W x 13-1/2" H x 5-3/4" D (413 mm x 343 mm x 146 mm)*
4009-9802	Beige	UL	For up to 33 Ah batteries	

* Depth increased for 25 Ah batteries effective 7/2005.

Chargers for use with 4010 Fire Alarm Control Panels and 4004R Suppression Release Systems

(refer to data sheet S4081-0001)

Model	Color	Input Voltage	Description	Dimensions
4081-9301	Beige	120 VAC	Battery cabinet with charger for the 4010 and 4004R fire alarm control panel; for up to 50 Ah batteries; with front door <i>Listings include: UL, ULC, FM, CSFM, and MEA (NYC), see data sheet for details</i>	22-1/2" W x 16-3/4" H x 8-3/8" D (572 mm x 425 mm x 213 mm)
4081-9302	Red			

Battery Cabinet Without Charger for 110 Ah Batteries; for use with compatible panel mounted chargers

(refer to data sheet S2081-0012)

Model & Listings	Color	Cabinet Description	Compatible Chargers	Charger Description	Dimensions
2081-9280 <i>Listings include: UL and CSFM</i>	Red	Battery cabinet for 2081-9279, 110 Ah batteries; includes 80 A battery fuse, terminals and battery connection cables; see data sheet for details	4010-9xxx Series	4010ES Main System Supply (MSS)	26-1/2" W x 12" H x 12" D (673 mm x 305 mm x 305 mm)
			4100-9xxx Series	4100ES/4100U System Power Supplies (SPS)	
			4100-5111 4100-5112 4100-5113	4100ES/4100U Additional SPS	
			4100-5125 4100-5126 4100-5127	4100ES/4100U Remote Power Supply (RPS)	
			4100-5120 4100-5121 4100-5122	4100ES/4100U TrueAlert Addressable Power Supply (TPS)	
			4100-0104 4100-0114 4100-0124	4100 Legacy power supplies	

4100ES/4010ES/4100U Compatible Battery Cabinet With Charger for 110 Ah Batteries (for ULC listed systems and for other applications unable to use panel mounted power supply charger; refer to data sheet S4081-0002)

Model	Color	Input Voltage	Description	Dimensions
4081-9306	Red	120 VAC	Battery cabinet with charger for up to 110 Ah batteries;	27-7/8" W x 13-1/2" H x 14-5/8" D (708 mm x 343 mm x 371 mm)
4081-9308	Red	220/230/240 VAC, multi-tapped	NOTE: Required for ULC listed charging of 110 Ah batteries; <i>Listings include: UL, ULC, FM, CSFM, and MEA (NYC), see data sheet for details</i>	
4100-9837	Green LED Power-on Indicator Kit, required for ULC listing, mounts above access panel using knockout provided			

Tyco, SIMPLEX, and the product names listed in this material are marks and/or registered marks. Unauthorized use is strictly prohibited.



Tyco Fire Protection Products • Westminister, MA • 01441-0001 • USA

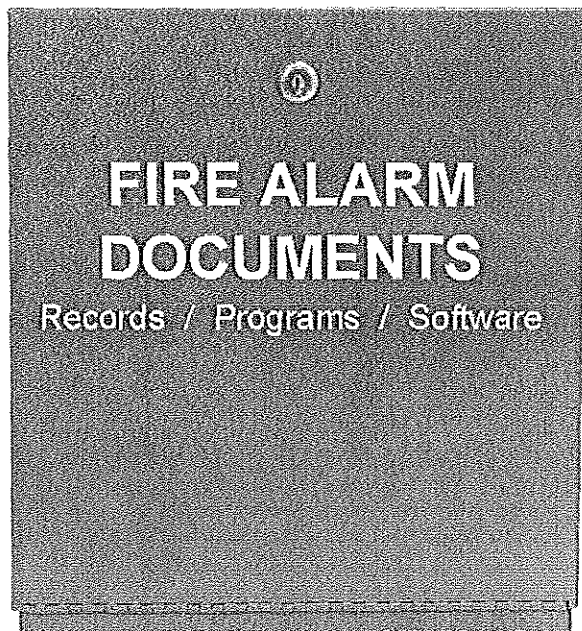
S2081-0006-20 1/2012

www.simplexgrinnell.com

© 2012 Tyco Fire Protection Products. All rights reserved. All specifications and other information shown were current as of document revision date and are subject to change without notice.

**NO
EXCUSES!**

FAD



Fire Alarm Documents

The FAD is the perfect fit to meet the demanding code requirements today. NFPA 72 10.18.2.2.1.8 states that a cabinet must be "prominently labeled 'FIRE ALARM DOCUMENTS'."

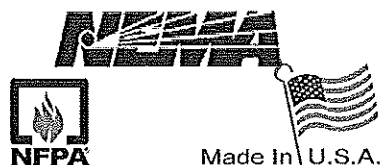
This durable 16 gauge steel enclosure with a solid piano hinge and key lock will keep all of your code required documents in one safe place. With a 2GB USB flash drive it stores your fire alarm software safely and securely eliminating the occurrences of the software not being on site when technicians arrive to service the system. Along with your fire alarm software you can store your test & inspection documents, service records, manuals & as built drawings for the system. Using a standard USB B connector it allows you to plug in with any standard USB printer cable to upload or download information.

Standard Features:

- Installed with a 2 gig digital flash drive with USB B connector
- 2 Key ring hooks to hold system keys
- Business card holder for key contacts
- Overall Dimensions are 12" x 13" tall and 2 1/4" deep
- 16 gauge steel box and cover for security
- Durable powercoat baked on finish other colors available
- Standard 3/4" cat 30 key lock other lock assemblies available
- Solid stainless steel piano hinge
- Permanently screened white ink 1" high "Fire Alarm Documents"
- Legend sheet for passwords and system information

The FAD is designed to hold critical manuals and documents with a durable steel sleeve. It has designated hooks to organize key rings and hold important business cards for easy access and reference. Inside the cover it has a organized note table that allows for documentation for passwords and other critical system information. The steel sleeve can be easily removed to hold a 1.5" three ring binder.

The innovation of a single gang cutout inside the box to implement the Infinity line products with conduit knockout access enables you to provide other system functions for test and inspection. See the complete Infinity product line from Space Age Electronics for single gang electrical product solutions.



ISO 9001
REGISTERED
COMPANY

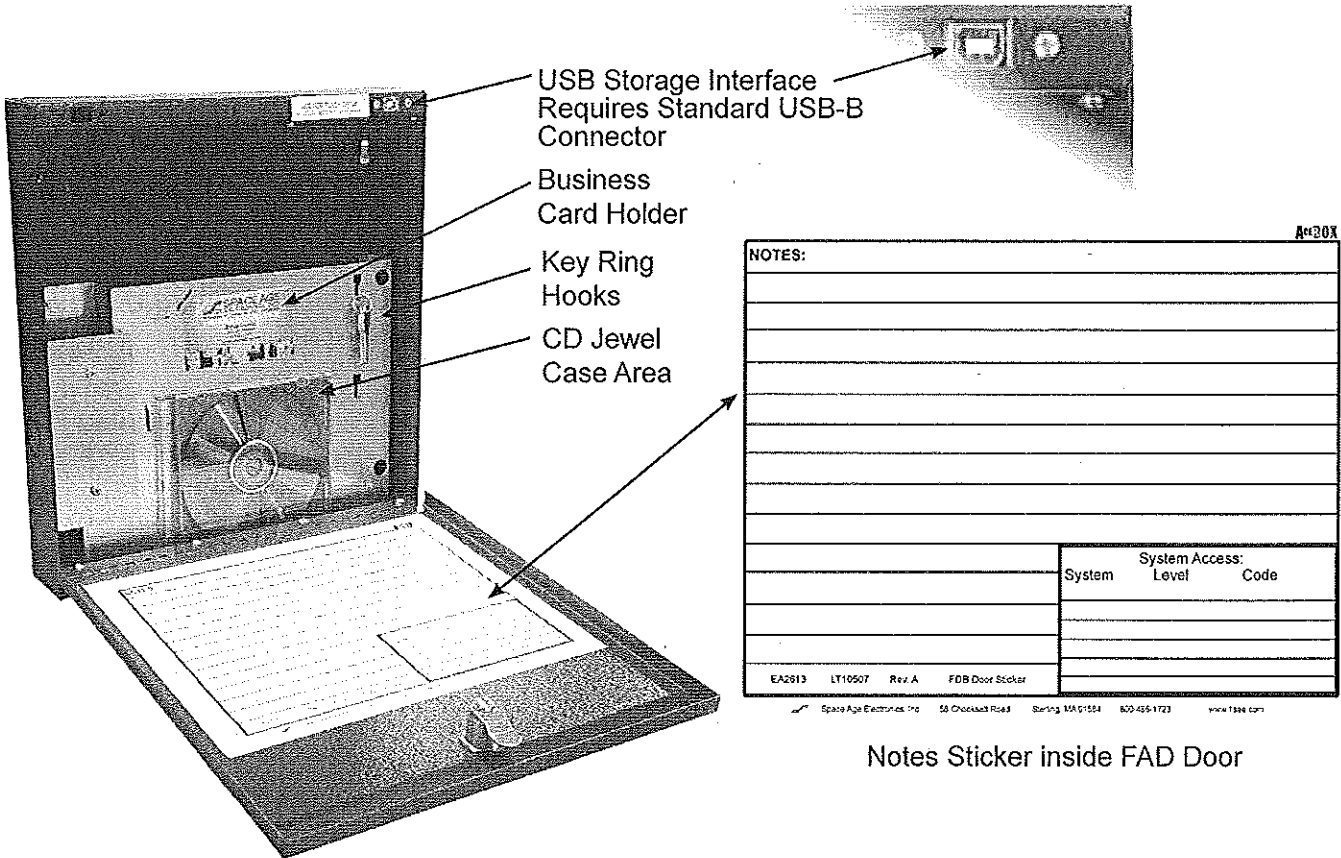


ACEBOX

Space Age Electronics, Inc.
www.1sae.com
800.486.1723 Toll Free
508.485.0966 Local
508.485.4740 Fax

Specifications:

The Fire Alarm Document Box (FAD) shall be constructed of 16 gauge cold rolled steel, it shall have a red powder coat epoxy finish. The cover shall be permanently screened with 1" high lettering "FIRE ALARM DOCUMENTS" with indelible ink. The access door shall be locked with a 3/4" barrel lock and the hinge shall be a solid width 12" stainless steel piano hinge. The FAD enclosure will supply 4 wall mounting holes inside. Inside the enclosure a removable steel sleeve that will accommodate standard 8 1/2 x 11 manuals and loose document records that will be protected within the enclosure. A legend sheet permanently attached to the door for system passwords and critical information and inspection notes. The FAD will have permanently and securely mounted inside a minimum of 2GB's digital flash memory drive with a standard USB B connector for uploading and downloading information. The drive shall not be accessible without tools to any person whom gains access to the records. The enclosure shall also provide 2 key ring holders with a location to mount standard business type cards for key contact personell.



Notes Sticker inside FAD Door

Ordering Information:

Part # Description

➔ SSU00685 Fire Alarm Storage Cabinet RED

SSU00686 Custom screening with your Logo

Check out our Infinity line eFAD single gang 2 Gig digital storage solutions (IAMEFAD)

ACEROX

Space Age Electronics, Inc.
www.1sae.com
800.486.1723 Toll Free
508.485.0966 Local
508.485.4740 Fax

No Excuses, Just Solutions!

This document is subject to change without notice, see doc # ED0479 for legal disclaimer



UL, ULC, CSFM Listed;
FM Approved*

Fire Alarm System Accessories

RSG Electromagnetic Door Holders;
Wall Mounted or Floor Mounted

Features

Electromagnetic door holders from RSG (Reliable Security Group) with four mounting types:

- Semi-flush wall mount for shallow box applications
- Surface wall mount with matching box
- Flush wall mount with recessed magnet for low profile applications
- Floor mount, for single or double doors

Multiple finish options:

- High luster plating of chrome, brass, or dark bronze
- Powdercoated in chrome or dark bronze

Low current, multi-voltage design reduces power supply and battery demands:

- Models are available for operation with 24 VDC, 24 VAC, or 120 VAC
- Internal full wave rectifier allows AC or DC operation and provides switching transient suppression
- Low residual magnetism allows easy door release for compatibility with low pressure door closers
- Rated holding force ranges from 20 lbs (9 kg) minimum; to up to 110 lbs (49.8 kg)

Quick and easy installation:

- Self-adjusting swivel catch plate adjusts to door alignment changes
- Adhesive mounting templates assure alignment
- Required mounting hardware is supplied with each door holder
- Magnet catch plates can be screwed to wooden doors or drilled through and attached to a mounting bracket
- Floor mount door holders include drills and anchors for mounting to concrete floors and hardware for mounting to wooden floors
- Front plates provide convenient grounding screw location

Optional accessories:

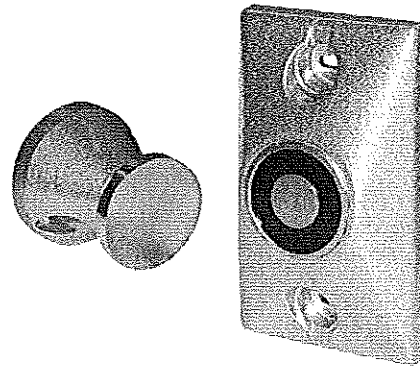
- Extension rods are available in multiple lengths to allow proper alignment, including a 4" (102 mm) long pivoting rod
- Drilling fixture for accurate repetitive installation

UL listed to Standard 228

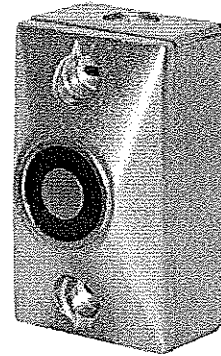
Description

Door holders are normally energized to magnetically hold doors open. In the event of a fire emergency, the fire alarm control panel or other compatible control means will release the magnet allowing the door to close to prevent the spread of smoke. Doors may be manually closed or opened when the door holder is energized.

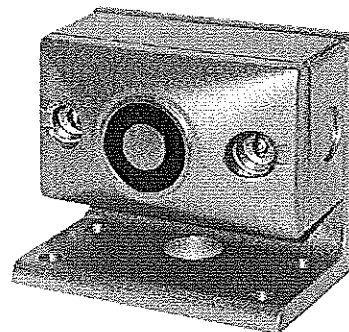
Product Reference Images
(shown without screw hole caps in place)



Semi-Flush Wall Mount Door Holder Magnet and Catch Plate Assembly



Surface Wall Mount Door Holder Magnet with Supplied Box



Floor Mount Door Holder Magnet with Supplied Bracket and Box
(Single door model shown, available for double doors)

* These products have been approved by the California State Fire Marshal (CSFM) pursuant to Section 13144.1 of the California Health and Safety Code. See CSFM Listing 3550-1039:0100 for allowable values and/or conditions concerning material presented in this document. It is subject to re-examination, revision, and possible cancellation. Additional listings may be applicable, contact your local Simplex® product supplier for the latest status. Listings and approvals are under RSG, Reliable Security Group.

Product Selection (see specifications on page 4 and part number selection below)

Mounting Type	Hardware Included	Electrical Box Requirement
Semi-flush Mount (partially recessed magnet)	Magnet assembly, catch plate with bracket, screw hole caps, and required mounting hardware	Single gang box, 1 1/2" deep minimum (supplied separately)
Flush Mount (fully recessed magnet)	Magnet assembly, catch plate with bracket, screw hole caps, and required mounting hardware (not shown on page 1, refer to illustration on page 3)	Single gang box, 2 1/4" deep minimum (supplied separately)
Surface Mount	Magnet assembly, catch plate with bracket, screw hole caps, matching electrical box, and required mounting hardware	Box is supplied with door holder: 4 3/4" H x 2 3/4" W x 1 1/2" D (117 mm x 70 mm x 54 mm)
Floor (ground) Mount for single door with single magnet	Magnet assembly with electrical box, catch plate with bracket, floor mounting bracket, screw hole caps, and required mounting hardware including drills and anchors for concrete floors	
Floor (ground) Mount for double door with double magnets	Two surface mount magnet assemblies with electrical box, each with electrical box; two catch plates with brackets, screw hole caps, and required mounting hardware including drills and anchors for concrete floors	

Optional Door Holder Accessories

Model		Description	
Powdercoat Chrome	Brass		
DHE1PC	DHE1B	Catch plate extender rod, 1" (25.4 mm) long	Each extender rod includes two DHW extension wrenches
DHE1.5PC	DHE1.5B	Catch plate extender rod, 1 1/2" (38 mm) long	
DHE2PC	DHE2B	Catch plate extender rod, 2" (51 mm) long	
DHE3PC	DHE3B	Catch plate extender rod, 3" (76 mm) long	
DHE4APC	DHE4AB	Catch plate with adjustable extender rod, 4" (102 mm) long with center pivot	
Model DHDF	Description Drilling Fixture, provides convenient alignment for repetitive installation		
DHW	Extension Wrench for adding extender rod to catch plate (two are needed, two are shipped with each extension)		

Door Holder Part Number Selection

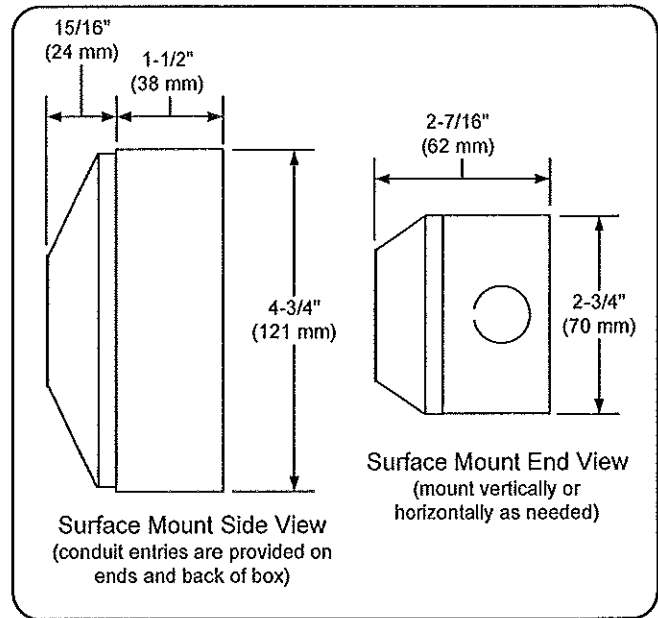
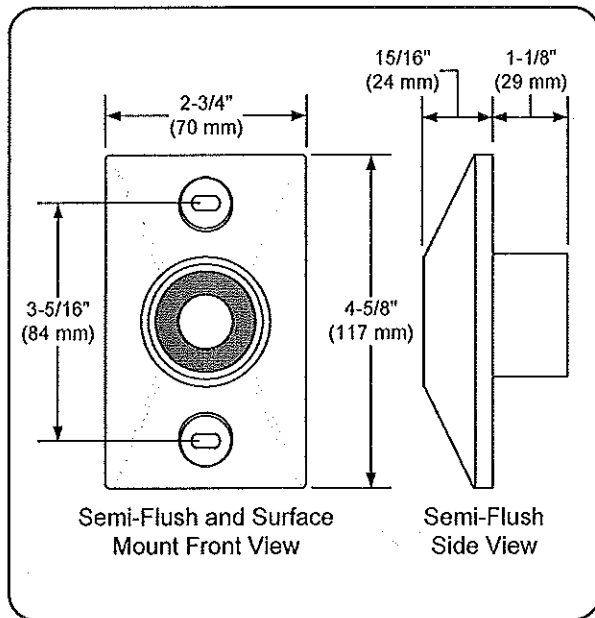
Select from each of the 6 categories to create part number (see examples below)

1	2		3		4		5		6	
Door Holder	Operating Voltages		Mounting Style		Finish Type		Finish Color		Floor Mount Coils	
Select	Select	For	Select	For	Select	For	Select	For	Select	For
→ DH	<u>1224</u>	12 VDC 12 VAC	<u>S</u>	Surface Mount	<u>P</u> ↑ blank	Powdercoated	<u>C</u> ↑ <u>B</u>	<u>Chrome</u>	<u>1</u>	<u>Single door</u>
	<u>24120</u>	24 VDC 24 VAC 120 VAC	<u>E</u>	Semi-Flush Mount		High luster plated	<u>DBR</u>	<u>Brass</u>	<u>2</u>	<u>Double door</u>
	<u>24220</u>	24 VDC 24 VAC 220 VAC	<u>G</u>	Floor (Ground) Mount					blank	Not floor mounted
			<u>R</u>	Flush Mount (Recessed Magnet)				<u>Dark Bronze</u>		

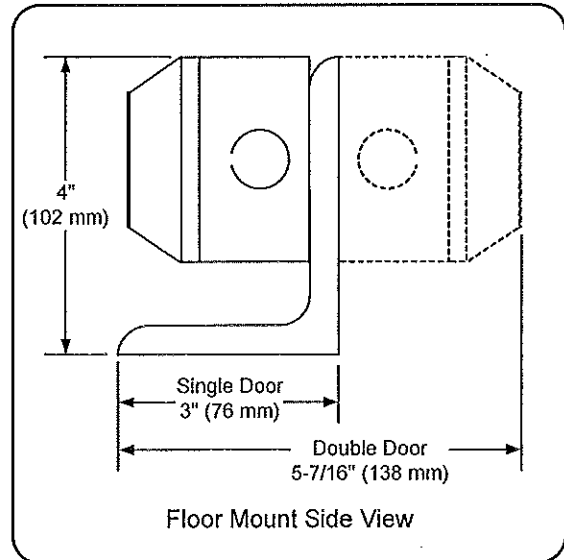
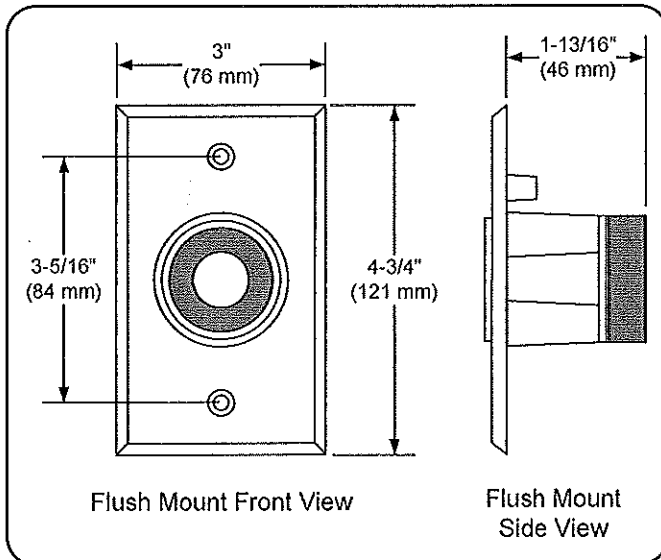
Examples:

- DH24120RPC: Door holder; 24 VDC/VAC, or 120 VAC operation; Recessed magnet/flush mount; Powdercoated; Chrome finish
- DH24120GB2: Door holder; 24 VDC/VAC, or 120 VAC operation; Ground/floor mount; Brass finish, high luster; Double door
- DH1224SPC: Door holder; 12 or 24 VDC/VAC operation; Surface mount; Powdercoated; Chrome finish

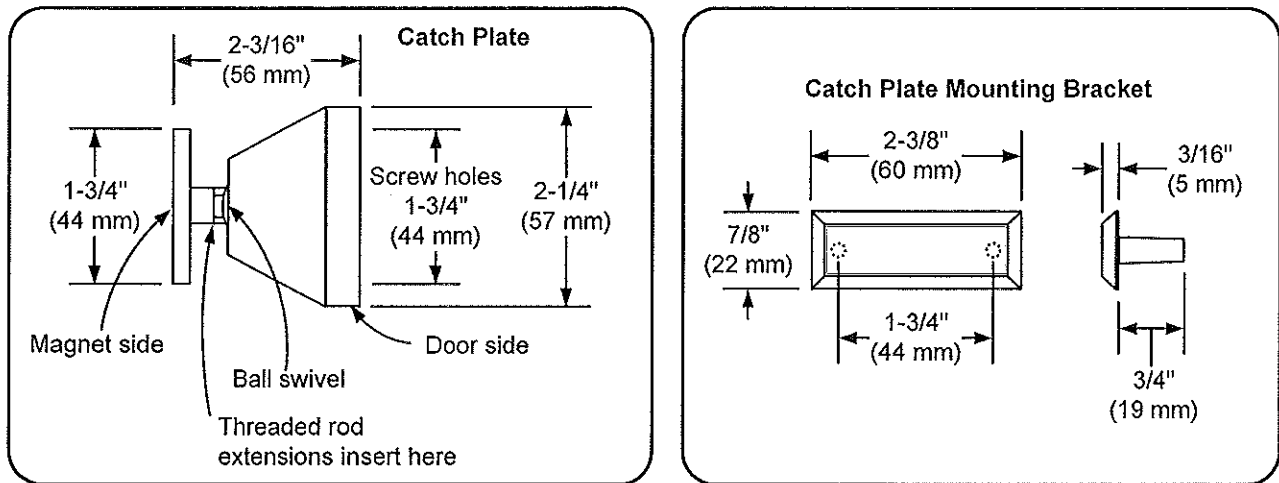
Semi-Flush and Surface Mount Dimensions



Flush and Floor Mount Dimensions



Catch Plate and Mounting Bracket Dimensions



Specifications

Mechanical Specifications

Material	Durable die-cast metal
Wiring Connections	Three position terminal block with provisions for in/out wiring; common (C), low voltage, high voltage); 22 to 12 AWG (0.5 to 3.31 mm ²)

Electrical Specifications and Performance

Model	Voltage	Current DC	Current AC	Terminals	Holding
1224	12 V	40 mA	38 mA	C & L	30 lbs (13.6 kg)
	24 V	40 mA	36 mA	C & H	
1224 High Holding Force	24 V	85 mA	81 mA	C & L	75 lbs (34 kg)
24120	24 V	20 mA	19 mA	C & L	40 lbs (18.1 kg)
	120 VAC	-	20 mA	C & H	35 lbs (15.8 kg)
24120 High Holding Force	120 VAC	-	100 mA	C & L	110 lbs (49.8 kg)
24220	24 V	20 mA	19 mA	C & L	20 lbs (9 kg)
	220 VAC	-	15 mA	C & H	22 lbs (9.8 kg)

For additional information, visit the RSG website: <http://www.rsgsecurity.com/>

TYCO, SIMPLEX, and the product names listed in this material are marks and/or registered marks. Unauthorized use is strictly prohibited.

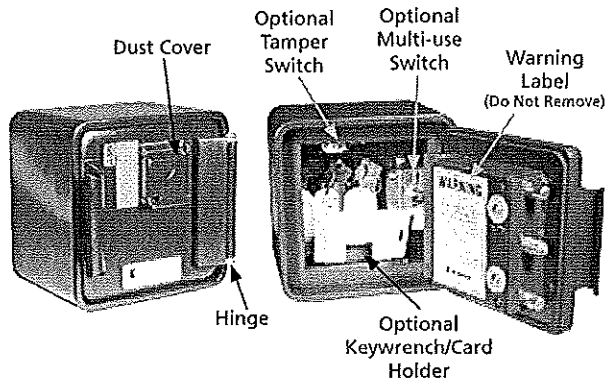


Tyco Fire Protection Products • Westminster, MA • 01441-0001 • USA
www.simplexgrinnell.com

S2088-0014-2 8/2012

© 2012 Tyco Fire Protection Products. All rights reserved. All specifications and other information shown were current as of document revision date and are subject to change without notice.

High Security Commercial Key Vault



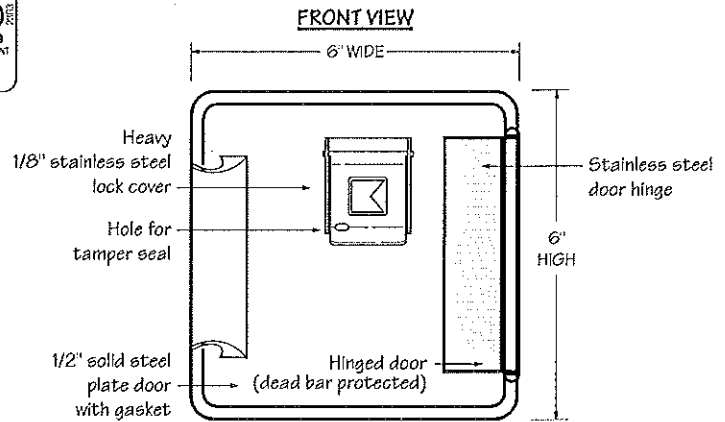
A new Knox-Box that's for those applications where a 3200 Series is too small yet the 4400 Series too large. The high security 4100 Series has a hinged-door allowing for the convenient single-handed operation. The 4100 Series Knox-Vault protects and stores building keys, access cards and the Knox FDC Keywrench allowing departments to keep a keywrench on site.

Features and Benefits

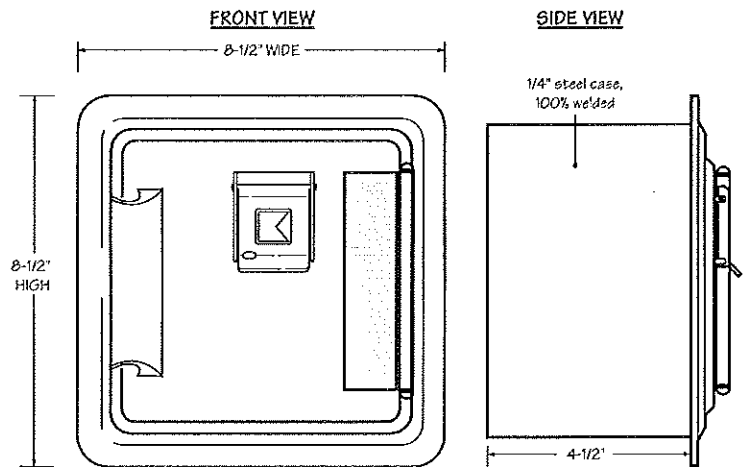
- Holds up to 24 keys in the large interior compartment
- Ensures high security with UL listed Medeco lock(s)
- Includes Knox-Coat® that is four times better than standard powder coat
- Resists moist conditions with a weather resistant silicone door gasket
- Colors: Black, Dark Bronze or Aluminum
- Weight: Surface mount - 17 lbs.
Recessed mount - 19 lbs.

Options

- Alarm Tamper Switches (U/L listed)
- Recessed Mounting Kit (RMK) for recessed models only
- Dual lock configuration
- Access card holder
- Keywrench holder



4100 Surface Mount



4100 Recessed Mount

Ordering Specifications

To ensure procurement and delivery of the 4100 Series Knox-Vault, it is suggested that the following specification paragraph be used:

KNOX-VAULT surface/recessed mount, with/without UL Listed tamper switches. 1/4" plate steel housing, 1/2" thick solid steel door with interior silicone gasket seal. Lock UL listed. Lock has 1/8" thick stainless steel dust cover with tamper seal mounting capability. Vault has anti-theft re-locking mechanism with drill resistant hard-plate lock protector.

Exterior Dimensions: Surface mount – 6"H x 6"W x 4 1/2"D
Recessed mount – 8 1/2"H x 8 1/2"W x 4 1/2"D

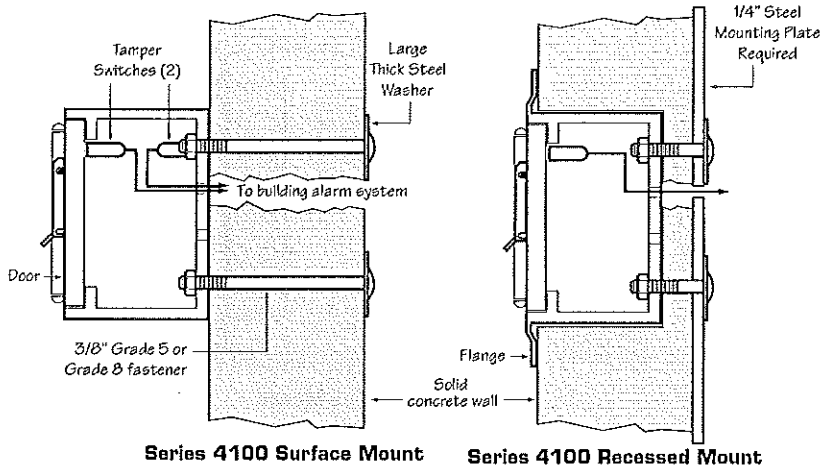
Lock: UL Listed. Double-action rotating tumblers and hardened steel pins accessed by a proprietary coded biased cut key.

Finish: Knox-Coat® proprietary finishing process
Finish Color - Black, Dark Bronze or Aluminum

P/N: 4100 Series Knox-Vault (mfr's cat. ID)

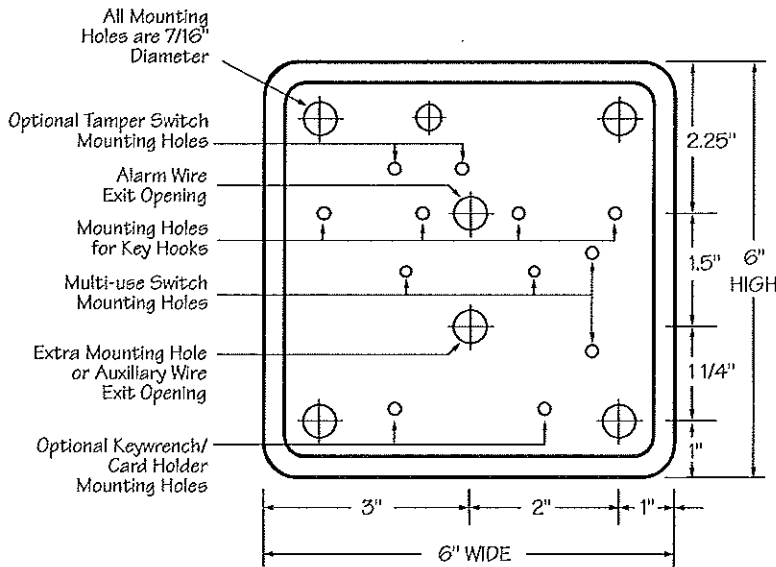
Mfr's Name: **KNOX COMPANY**

Suggested minimum mounting height
6 feet above ground



Series 4100 Surface Mount Series 4100 Recessed Mount

INSIDE VIEW



Attention: KNOX-BOX® key box is a very strong device that MUST be mounted properly to ensure maximum security and resist physical attack.

Knox® Rapid Entry System

The Knox Company manufactures a complete line of high security products including Knox-Box key boxes, key vaults, cabinets, key switches, padlocks, locking FDC caps, plugs and electronic master key security systems. For more information or technical assistance, please call Customer Service at 1-800-552-5669.

Recessed Mounting Kit

The 4100 Recessed Mounting Kit (RMK) is used for recessed models only. It contains a shell housing and mounting hardware to be cast-in-place in new concrete or masonry construction. After construction is completed, the Knox-Vault mounts inside the recessed shell housing. The RMK may only be used in new concrete or masonry construction.

Installation In Cast Concrete

The optional Recessed Mounting Kit is for use in new concrete or masonry construction only. The kit includes a shell housing and mounting hardware to be cast-in-place. The KNOX-VAULT is mounted into the shell housing after construction is completed.

RMK Exterior Dimensions

6 5/8" H x 7 1/4" W x 5 1/4" D

IMPORTANT: Care should be taken to insure that the front of the RMK shell housing, including the cover plate and screw heads, is flush with the finish wall. The RMK must be plumbed to insure vertical alignment of the vault.

Recessed Mounting Using Recessed Mounting Kit (RMK)

KNOX-VAULT® mounts inside RMK shell after completion of construction

