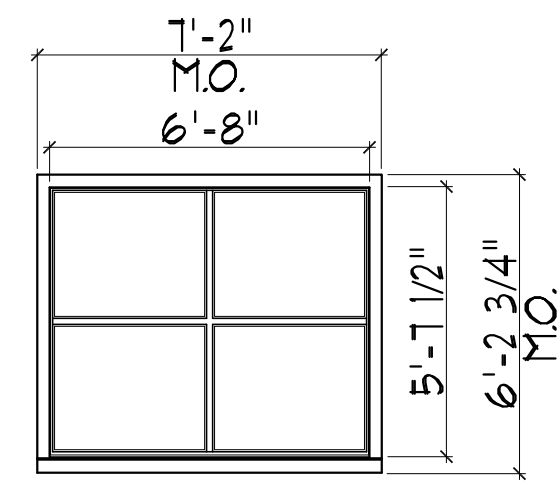
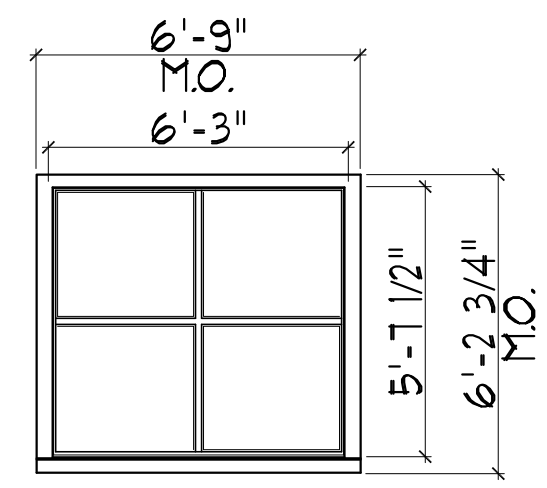


# WINDOW SCHEDULE

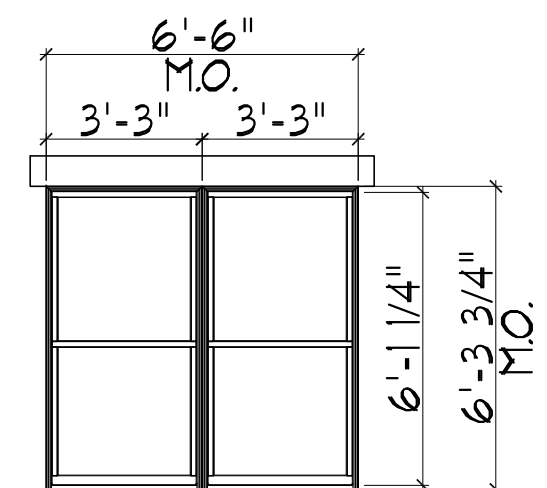
REFER TO WALL SECTIONS FOR HEAD HEIGHT AND OAK WINDOW DETAILS



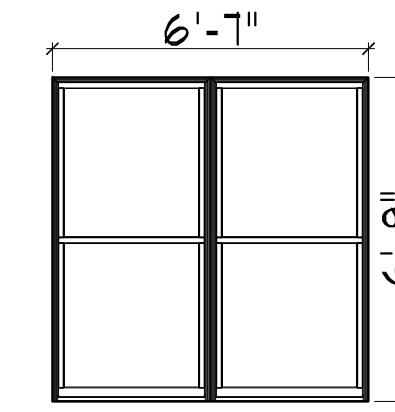
TYPE **A**  
WHITE OAK IN MASONRY  
WHITE OAK TRIM  
P.C. SILL



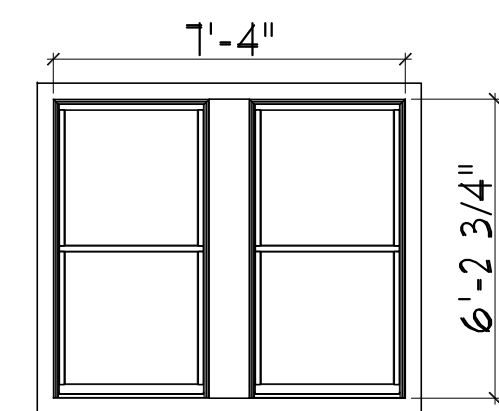
TYPE **B**  
WHITE OAK IN MASONRY  
WHITE OAK TRIM  
P.C. SILL



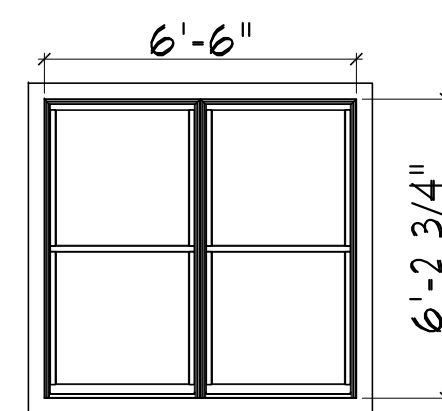
TYPE **C**  
ALUMINUM CLAD DOUBLE HUNG WITH BRICK MOLD AND TEMPERED GLASS IN MASONRY  
P.C. HEAD/SILL



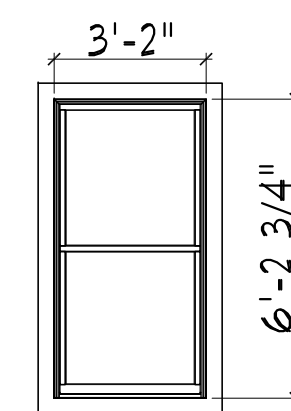
TYPE **D**  
ALUMINUM CLAD DOUBLE HUNG IN PVC SIDING



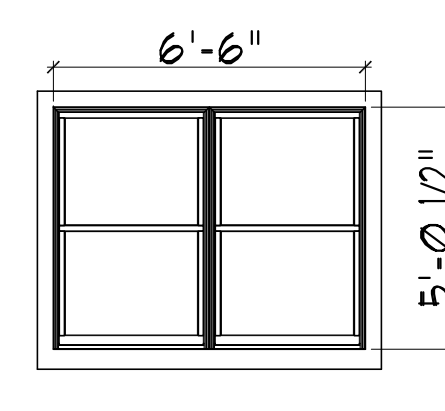
TYPE **E**  
ALUMINUM CLAD DOUBLE HUNG WOOD STUD WALL  
PVC TRIM



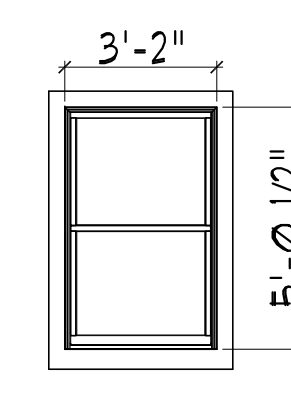
TYPE **F**  
ALUMINUM CLAD DOUBLE HUNG WOOD STUD WALL  
PVC TRIM



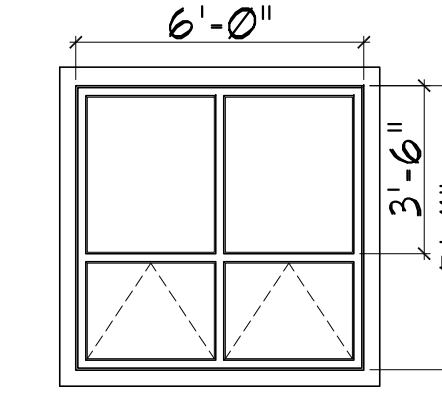
TYPE **G**  
ALUMINUM CLAD DOUBLE HUNG WOOD STUD WALL  
PVC TRIM



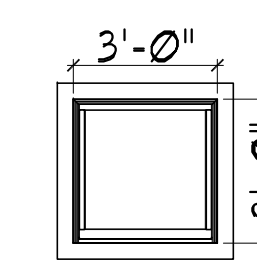
TYPE **H**  
ALUMINUM CLAD DOUBLE HUNG WOOD STUD WALL  
PVC TRIM



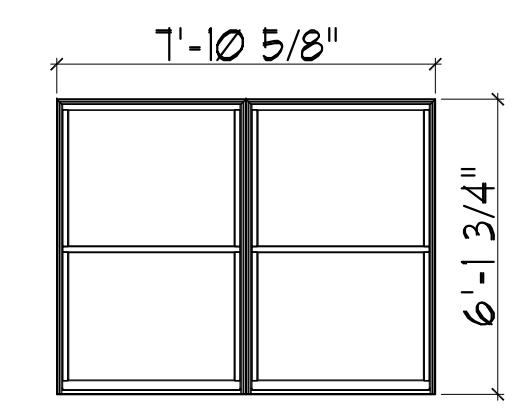
TYPE **I**  
ALUMINUM CLAD DOUBLE HUNG WOOD STUD WALL  
PVC TRIM



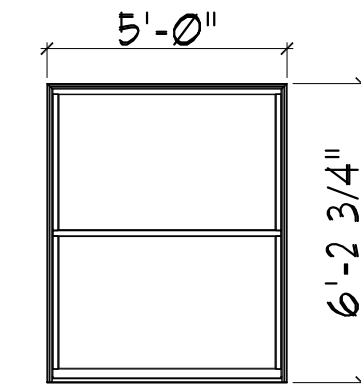
TYPE **J**  
ALUMINUM CLAD FIXED/awning WINDOW WOOD STUD WALL  
PVC TRIM



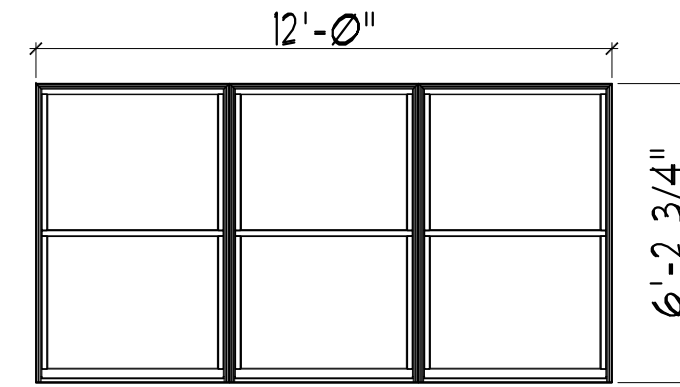
TYPE **K**  
ALUMINUM CLAD FIXED WINDOW WOOD STUD WALL  
PVC TRIM



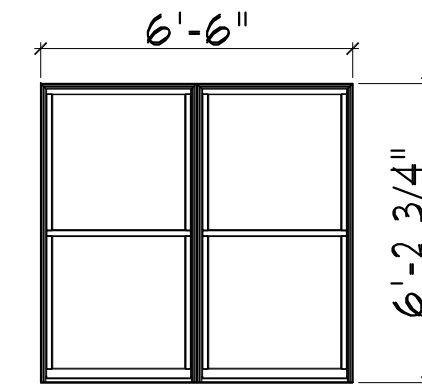
TYPE **L**  
ALUMINUM CLAD DOUBLE HUNG WOOD STUD WALL  
PVC TRIM



TYPE **M**  
ALUMINUM CLAD DOUBLE HUNG WOOD STUD WALL W/ COPPER SIDING

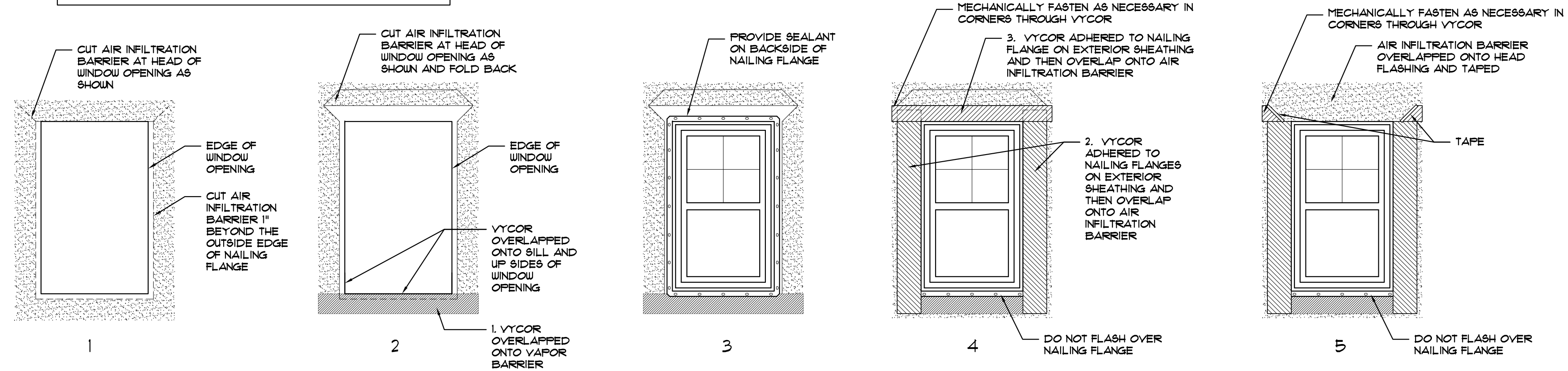


TYPE **N**  
ALUMINUM CLAD DOUBLE HUNG WOOD STUD WALL W/ COPPER SIDING



TYPE **O**  
ALUMINUM CLAD DOUBLE HUNG WOOD STUD WALL W/ COPPER SIDING

## ORDER OF INSTALLATION OF WATER PROOFING AT WINDOWS



- NOTES:
1. INSTALL GRACE VYCOR PLUS® IN ORDER AS SHOWN BY NUMBERS.
  2. IF APPLICABLE, LEAVE RELEASE PAPER ON LOWER HALF OF SILL FLASHING UNTIL FUTURE TIE-IN.
  3. INSTALL GRACE VYCOR PLUS® AND AIR INFILTRATION BARRIER TO FORM WATER SHEDDING LAIPS.
  4. COORDINATE WITH FLASHING REQUIREMENTS OF WINDOW MANUFACTURER
  5. FOLLOW MANUFACTURER'S RECOMMENDATIONS FOR INSTALLATION.

NOTE: MOCK-UP FIRST WINDOW TO BE APPROVED BY MSHA, AND ARCHITECT PRIOR TO ANY INSTALLATION

OWNER:	DANFORTH ON HIGH, LP
ARCHETYPE, P.A. ARCHITECTS	48 Union Wharf Portland, Maine 04101 (207) 772-6022 Fax (207) 772-4056
DANFORTH ON HIGH CONDOMINIUMS	81 DANFORTH STREET PORTLAND, MAINE
Project:	
Revisions:	
Scale:	VARIES
Date:	4 June 2012
Window Schedule:	
Issued for Bid - 29 June 2012	
8.7.12 Window Revised	
Window Schedule:	