

TYPICAL HARDWARE

SCALE: 1 - 1/2" = 1'-0"
0 4" 8" 16"

01 1/2" BENT SPLICE PLATE (GALV) W/ 3 1/2" DIA HOLE FOR (3) 3/8" DIA F1554 THROUGH BOLTS.

02 3/8" DIA F1554 THROUGH BOLT.

03 1/2" x 3/8" x 4'-1/2" (GALV) w/ (2) 1/2" dia HOLES FOR (2) 3/8" DIA F1554 THROUGH BOLTS; (2) 1/2" dia HOLES FOR (2) 1/2" dia 2" SDS25200 SIMPSON STRONG TIE SCREW

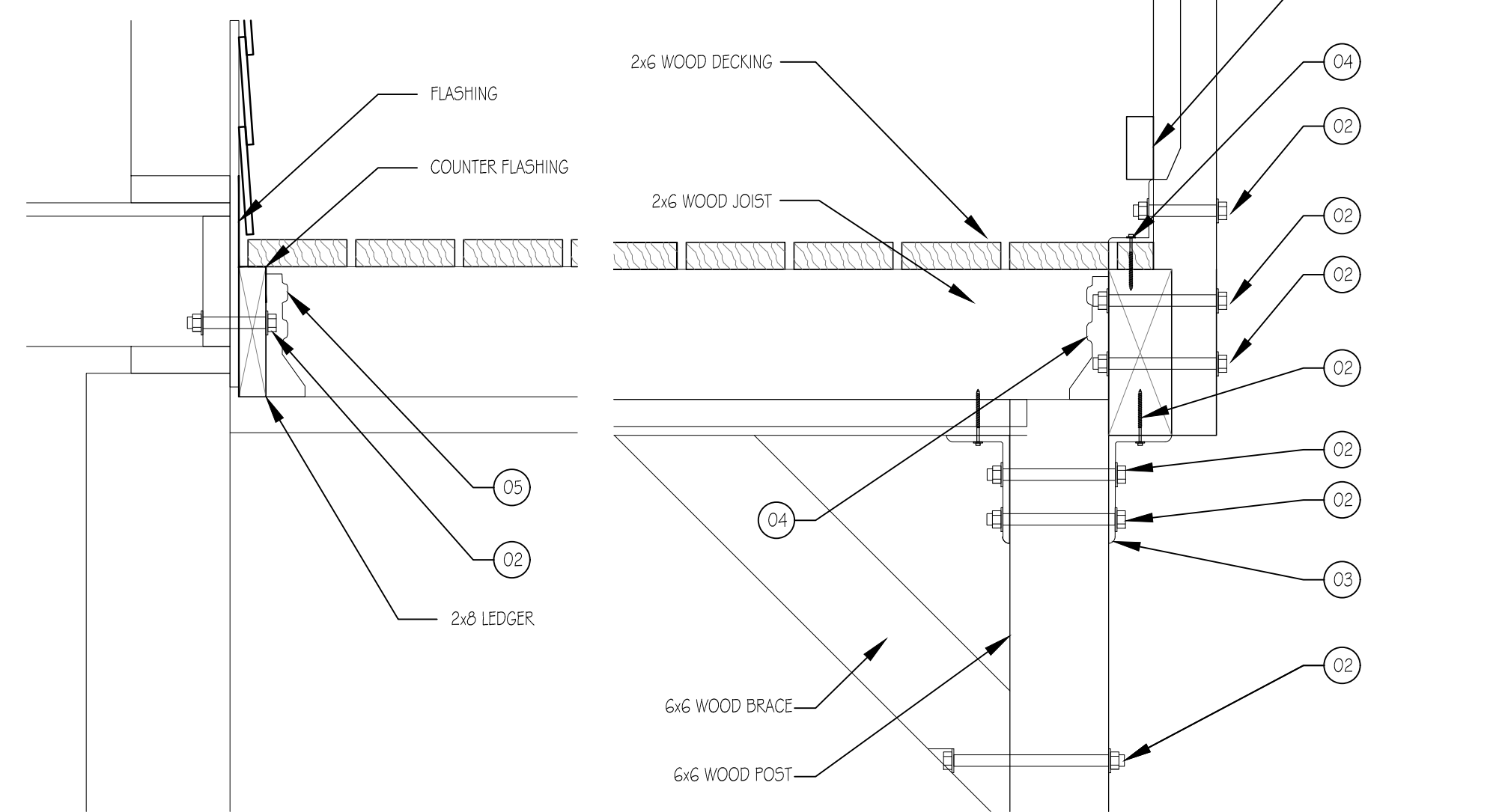
04 1/2" dia 2" SDS25200 SIMPSON STRONG TIE SCREW

05 STEEL JOIST HANGER FOR (1) 2x6

06 1-3/4" x 2-1/2" x 3/8" (GALV) w/ (2) 1/2" dia HOLES FOR (2) 1/2" dia 2" SDS25200 SIMPSON STRONG TIE SCREW

07 5-1/2" x 5-1/2" PLATE W/ (4) 1/2" dia HOLES FOR (4) 3/8" DIA F1554 THROUGH BOLTS.

08 SIMPSON STRONG TIE HANGER MODEL TYPE LUS210 (REFER TO MFR SPECIFICATIONS)

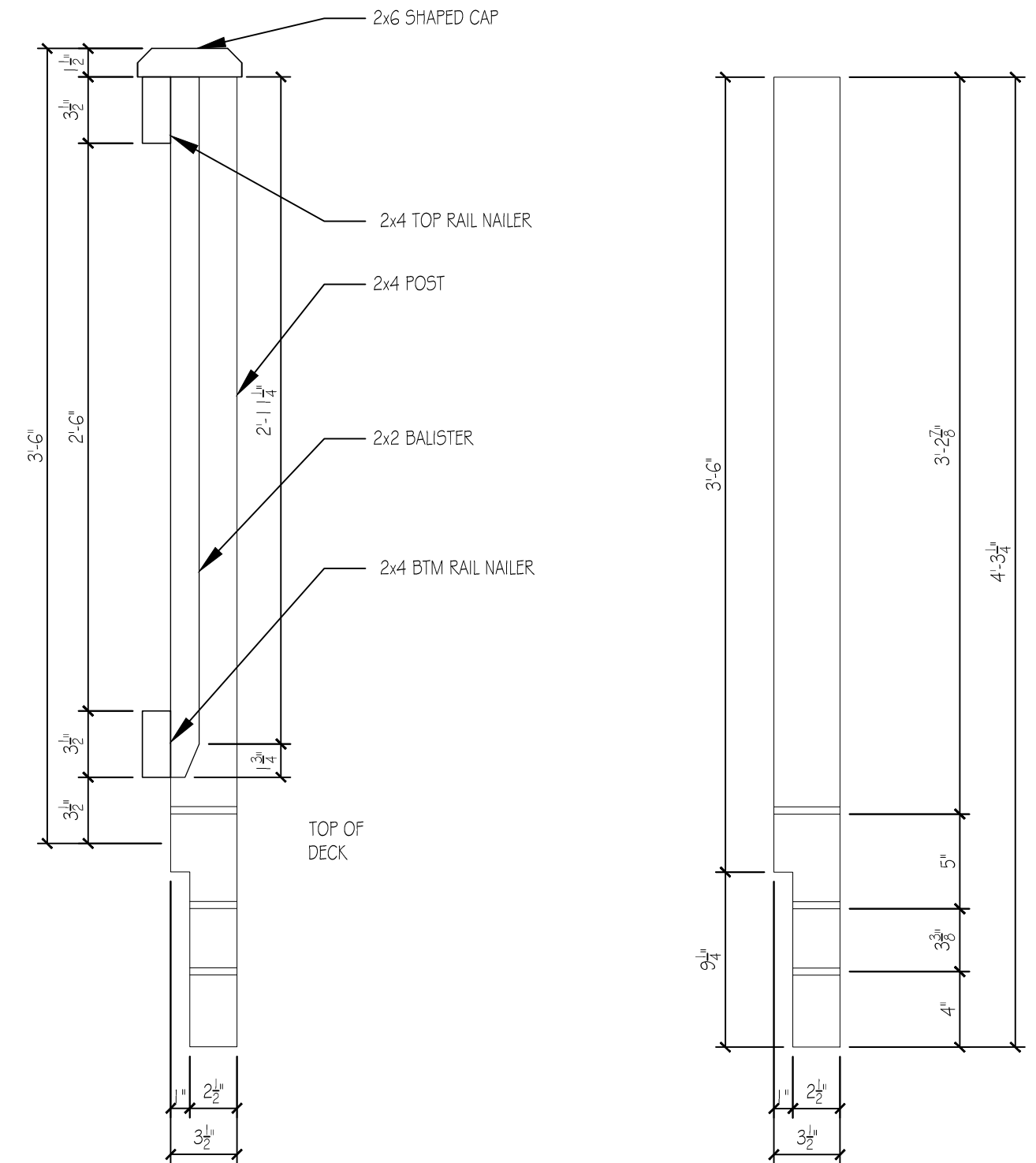


(1) HOUSE CONNECTION

SCALE: 1 - 1/2" = 1'-0"
0 4" 8" 16"

(2) EDGE OF NEW DECK

SCALE: 1 - 1/2" = 1'-0"
0 4" 8" 16"

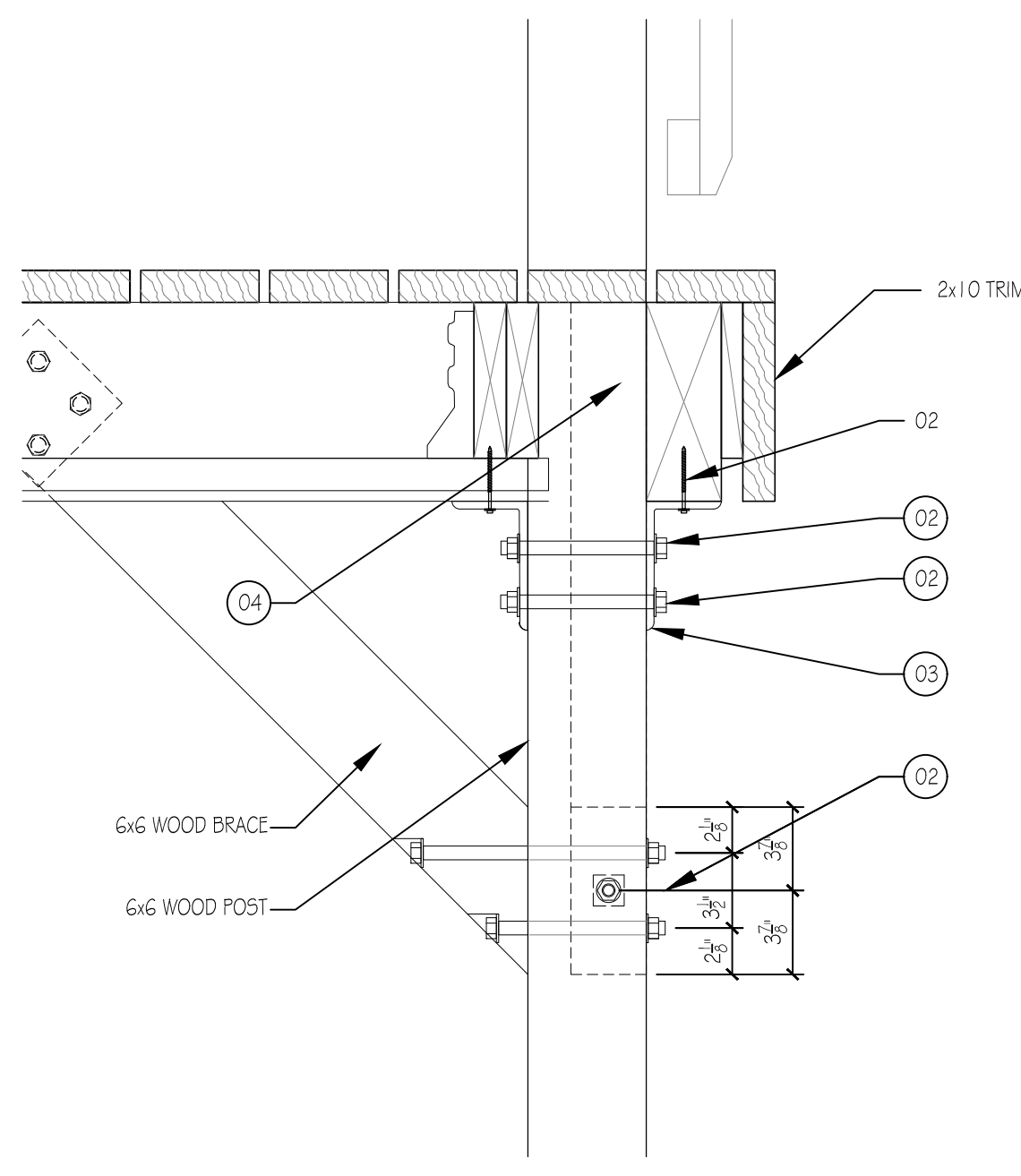


(3) TYP. POST DETAILS

SCALE: 1 - 1/2" = 1'-0"
0 4" 8" 16"

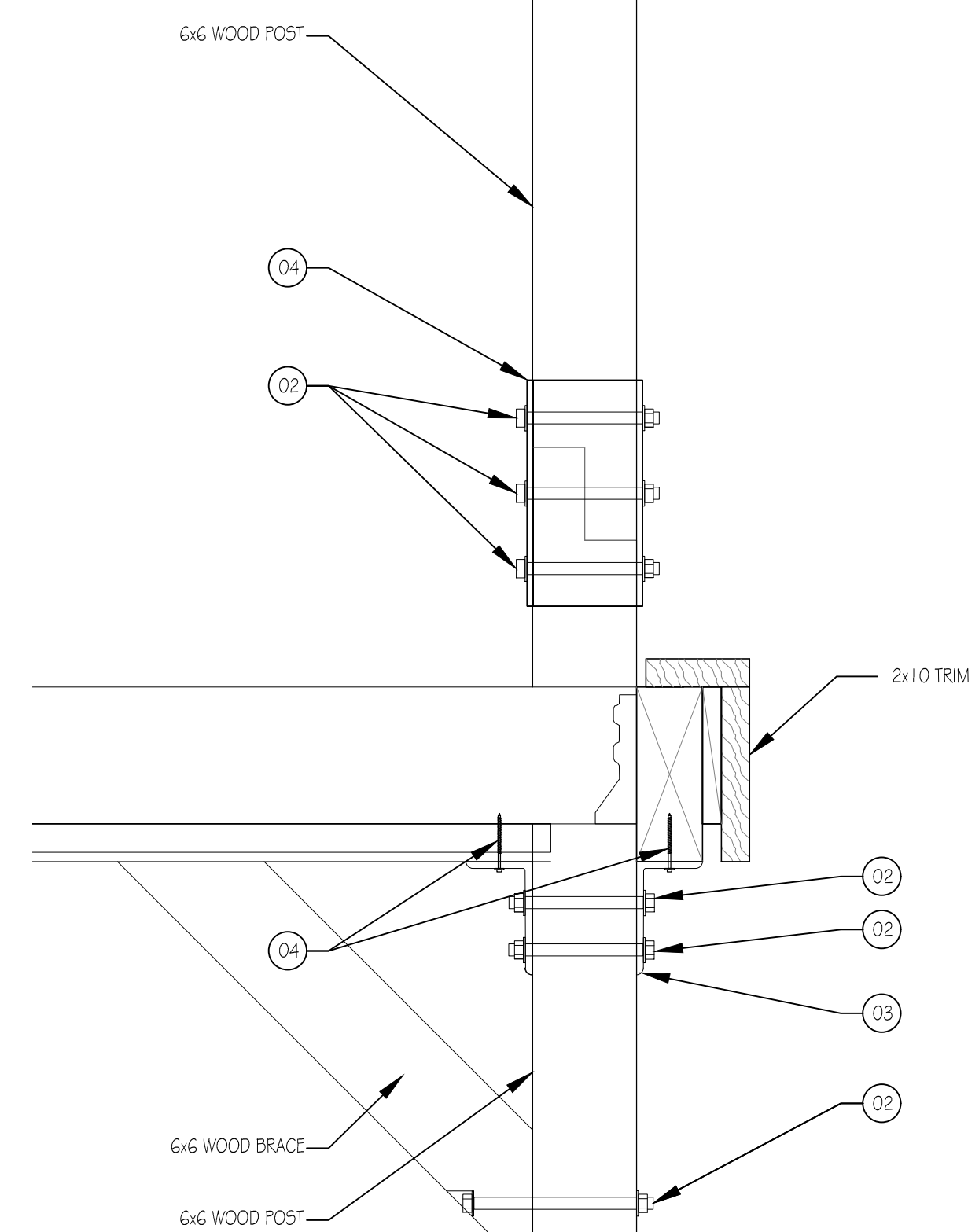
(4) RAIL ELEVATION

SCALE: 1 - 1/2" = 1'-0"
0 4" 8" 16"



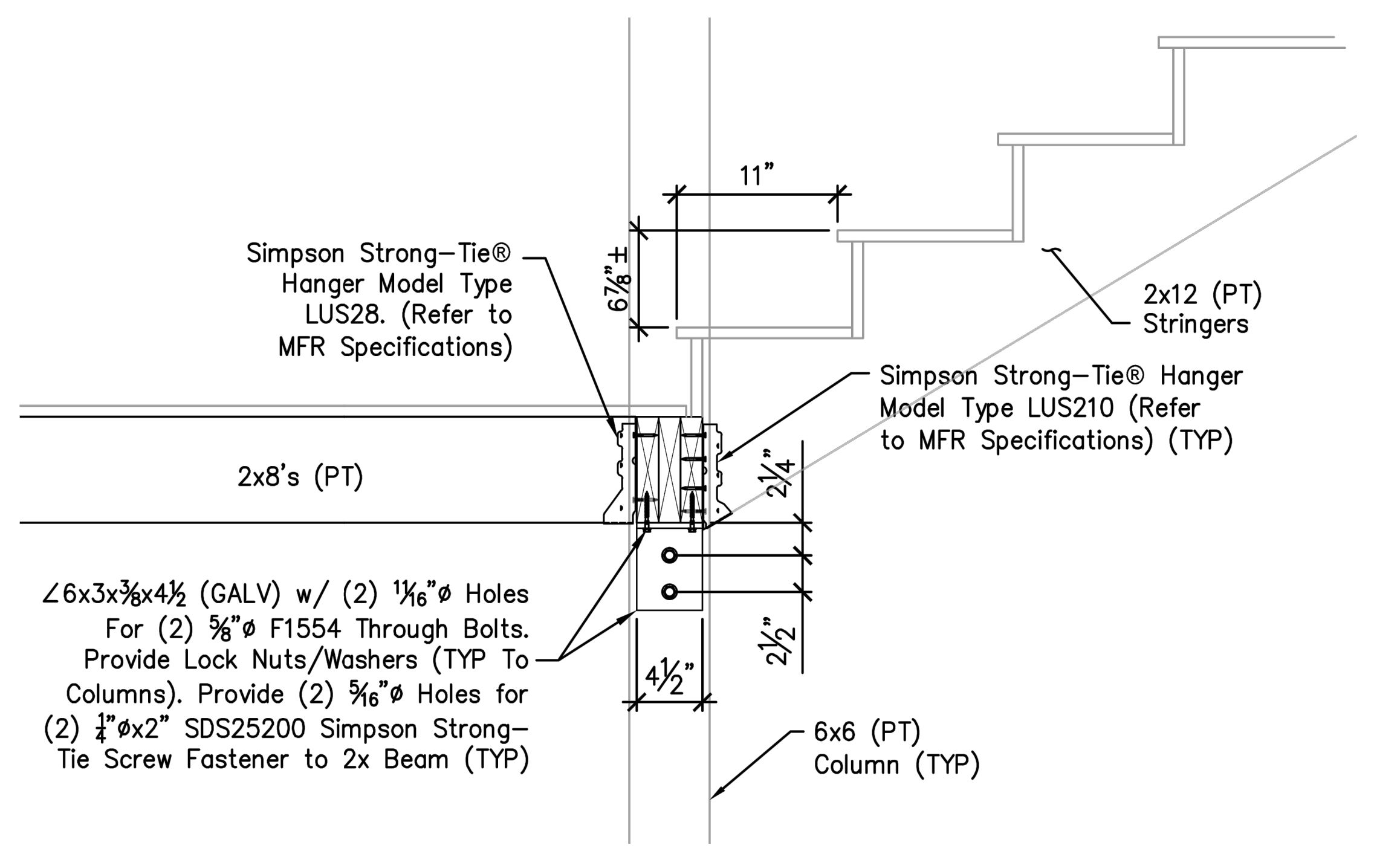
(6) CORNER POST

SCALE: 1 - 1/2" = 1'-0"
0 4" 8" 16"



(5) EDGE OF NEW DECK

SCALE: 1 - 1/2" = 1'-0"
0 4" 8" 16"



(7) STAIR SUPPORT

SCALE: 1 - 1/2" = 1'-0"
0 4" 8" 16"

NOTE:
THE CONTRACTOR/OWNER ASSUMES ALL RESPONSIBILITY FOR LOCAL CODE COMPLIANCE. ALL DRAWINGS, PLANS, SKETCHES ETC. ARE PROVIDED TO OUR CLIENTS BASED UPON INFORMATION PROVIDED BY THE CLIENT AND DRAWN IN ACCORDANCE WITH COMMON BUILDING PRACTICES AND LOCAL CODES. NONE OF THE EMPLOYEES OF CDT ARE REGISTERED ARCHITECTS, ENGINEERS OR LAND SURVEYORS. ALL DIMENSIONS AND SPECIFICATIONS SHOULD BE VERIFIED BY CLIENT AND/OR CONTRACTOR BEFORE ACTUAL CONSTRUCTION BEGINS. IF DIMENSIONS AND SPECIFICATIONS ARE NOT VERIFIED BY CLIENT AND/OR CONTRACTOR BEFORE ACTUAL CONSTRUCTION BEGINS CDT WILL BE HELD HARMLESS. CDT ASSUMES NO LIABILITY FOR CHANGES AND/OR REVISIONS MADE TO PLANS BY CLIENT AND/OR CONTRACTOR.

- Contractor/owner responsible for securing all necessary permits.
- Contractor/owner will comply with all applicable codes and ordinances.
- Contractor/owner to verify all site grades and dimensions.

65 High Street Deck & Stair Replacement

BY:	JJO
NO:	
DATE:	08-04-2017
REMARKS:	Issued for Fast-track Permit
CODE:	IRC 2009
TOWN:	PORTLAND
DATE:	07-24-17
SCALE:	As Noted
DRAWN:	JJO
TITLE:	DETAILS
FILE:	
SHEET:	A1-03