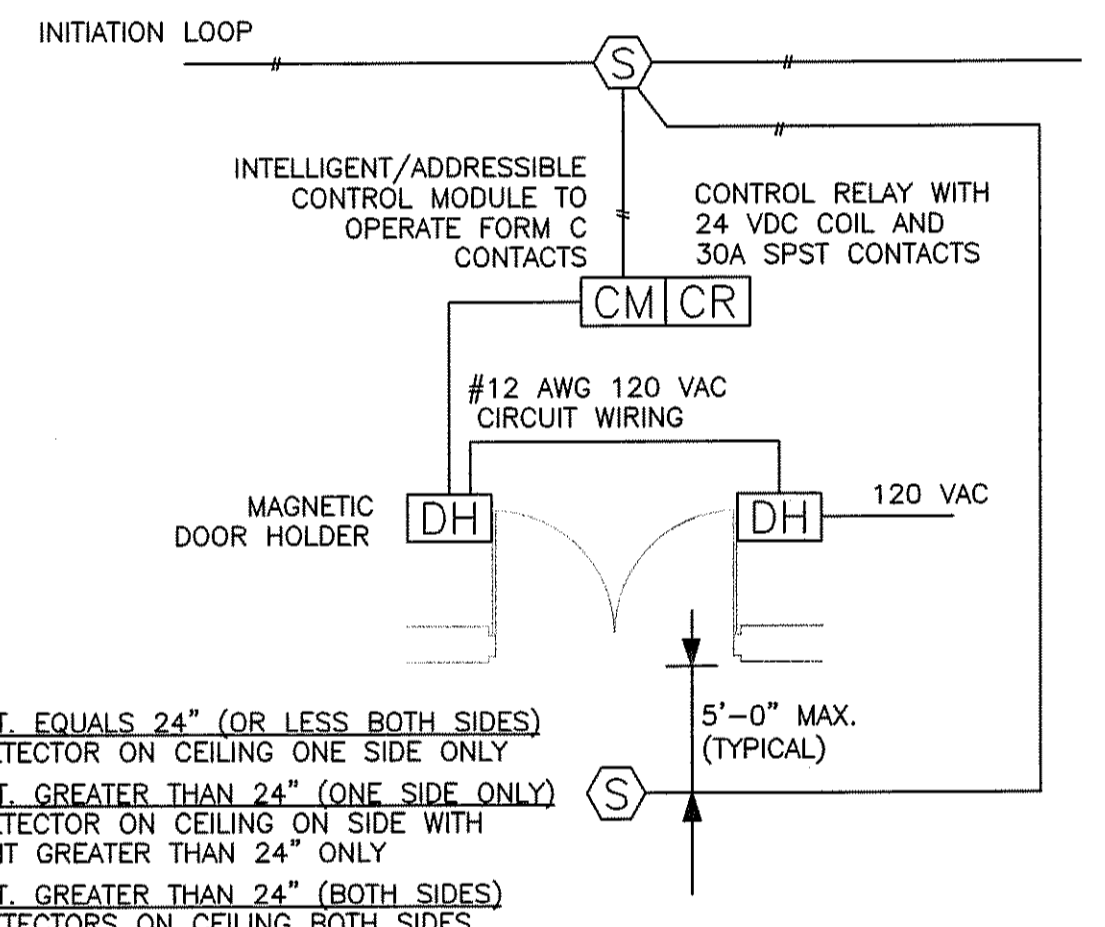
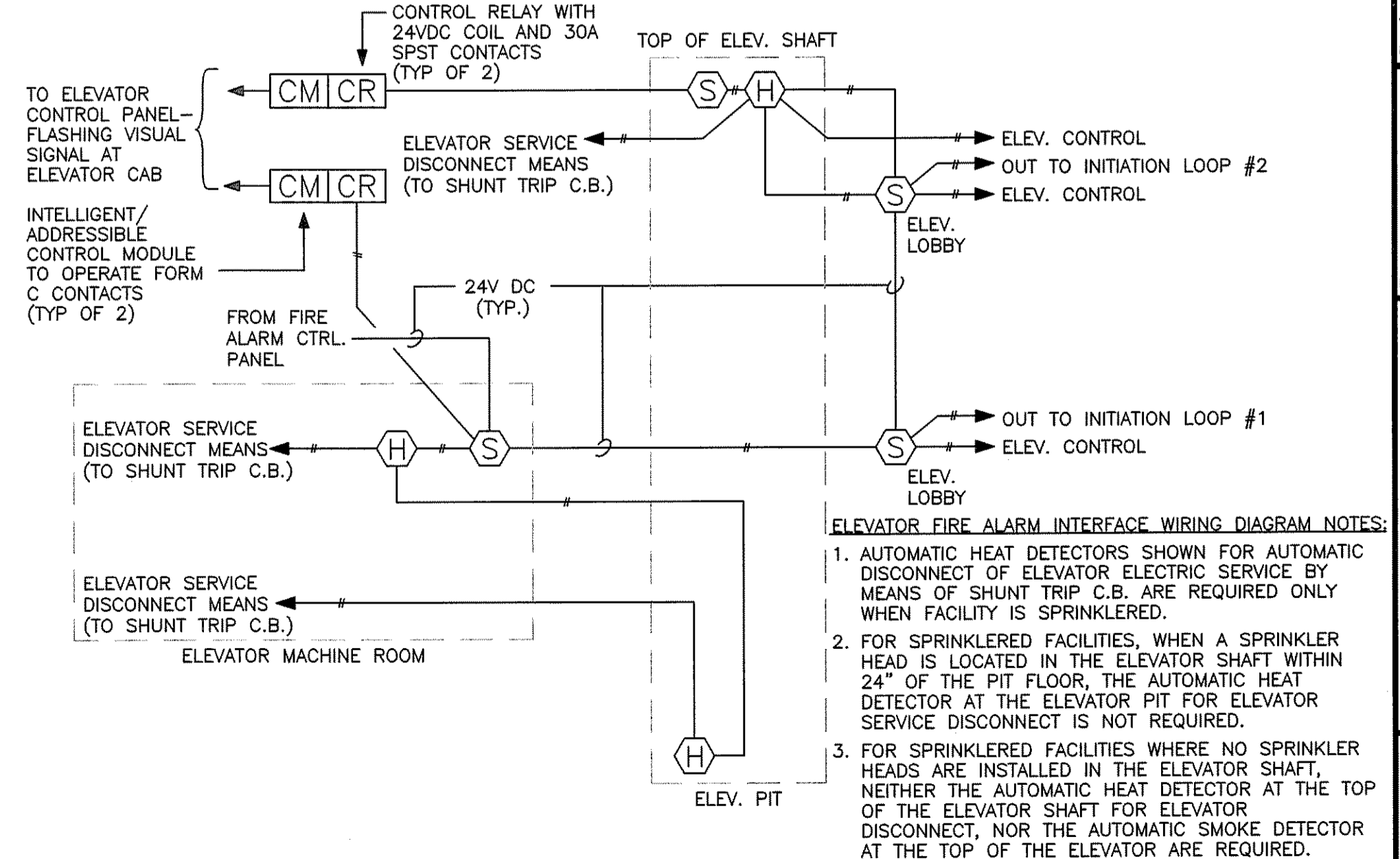


**FIRE ALARM RISER DIAGRAM NOTES:**  
 1. PROVIDE A TAMPER AND FLOW SWITCH AT EACH SPRINKLER MAIN VALVE.

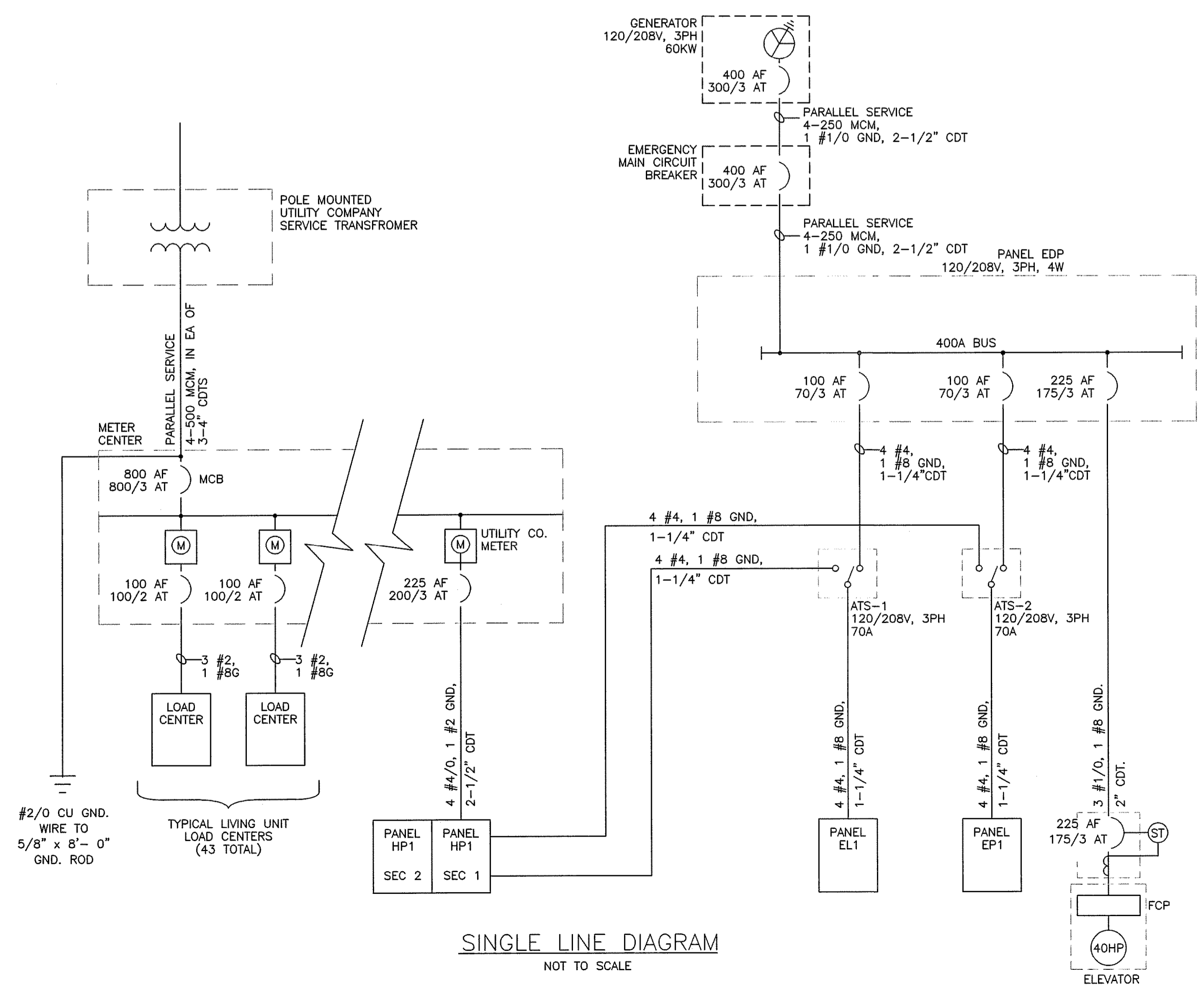
**FIRE ALARM DIAGRAM**  
 NOT TO SCALE



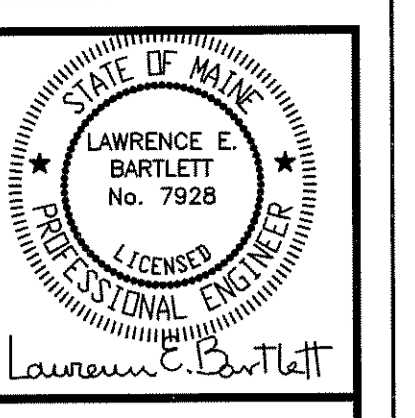
**DOOR HOLDER FIRE ALARM INTERFACE WIRING DIAGRAM**  
 NOT TO SCALE



**ELEVATOR FIRE ALARM INTERFACE WIRING DIAGRAM**  
 NOT TO SCALE



**SINGLE LINE DIAGRAM**  
 NOT TO SCALE



**OWNER:**  
 ARCHETYPE, P.A.  
 ARCHITECTS  
 48 Union Wharf Portland, Maine 04101  
 (207) 772-6022 Fax (207) 772-4056

**Project:**  
 53 DANFORTH STREET  
 PORTLAND, ME

**Scale:** NONE  
**Date:** 15 JULY 2008

**100% CONST DOCS**  
**FIRE ALARM RISER & SINGLE LINE DIAGRAM**

**E3.02**