

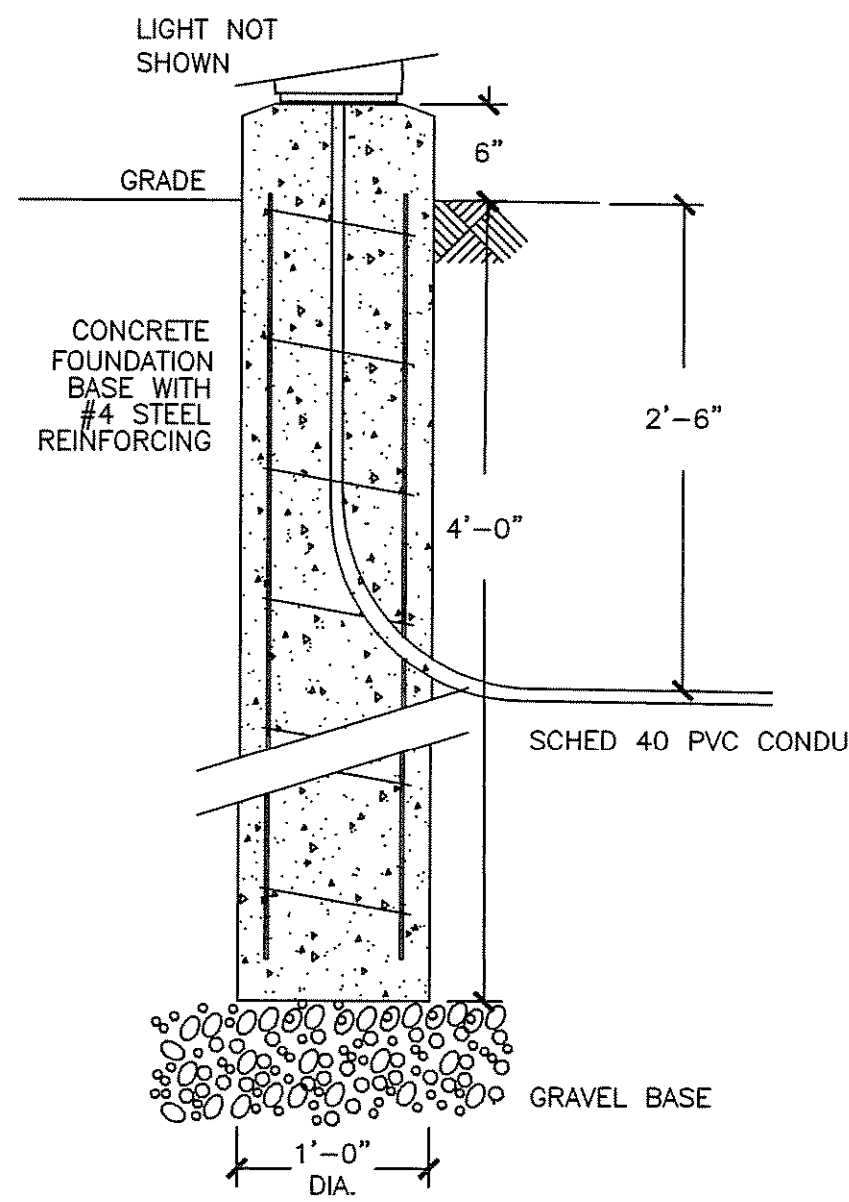
ELECTRICAL SYMBOLS

PLAN SYMBOLS

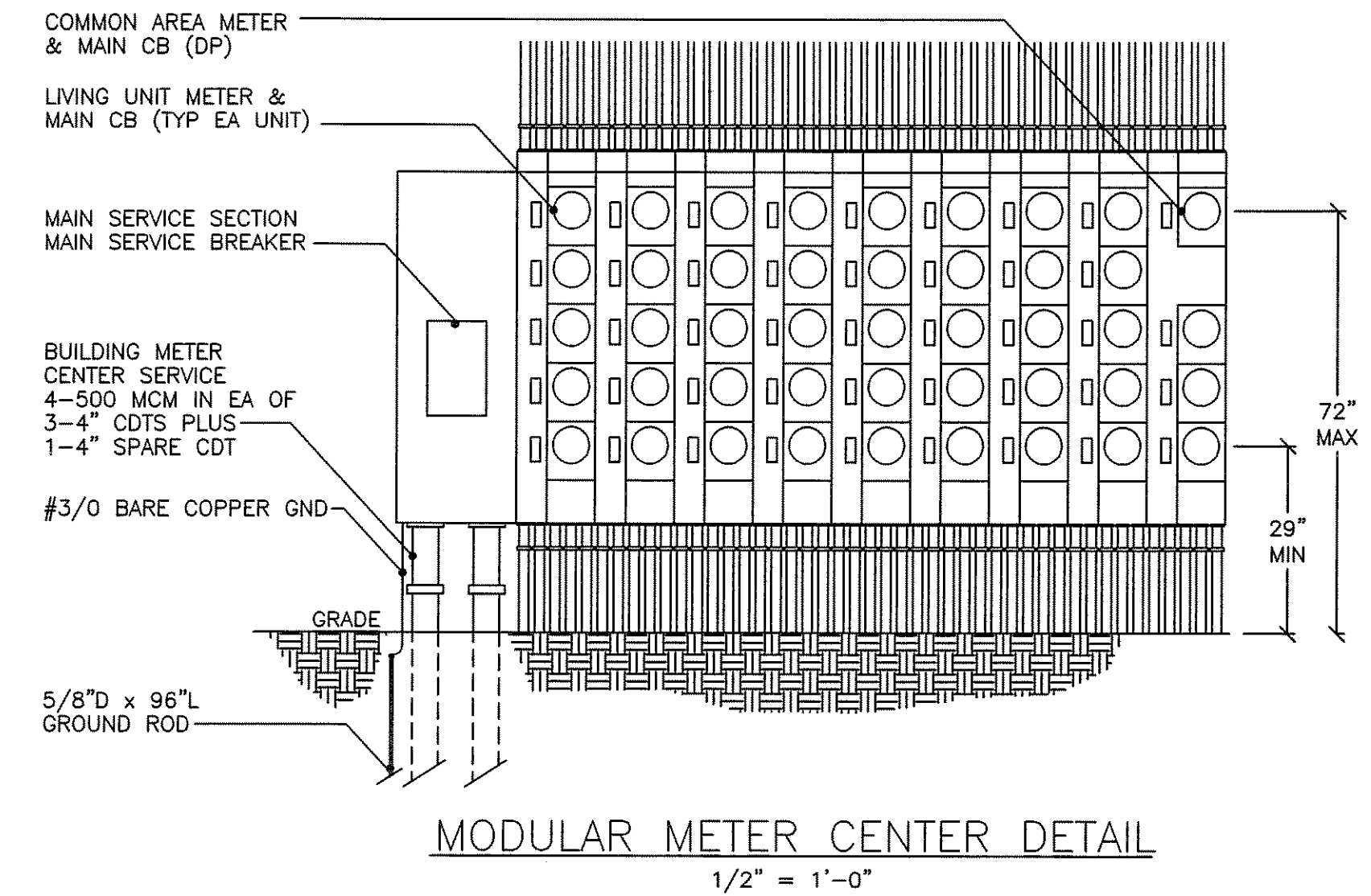
SYMBOL	DESCRIPTION
	125V, 20A, DUPLEX GROUNDED RECEPTACLE GFI = Ground Fault Type WP = Weatherproof AC = Mount 6" Above Sink or Counter
	125V, 20A, QUAD GROUNDED RECEPTACLE
	250V, SINGLE GROUNDED RECEPTACLE
	TELEPHONE OUTLET (WALL MTD.)
	DATA NETWORK OUTLET Wireless Network Outlet
	CABLE TELEVISION OUTLET
	120V, 20A, SIMPLEX RECEPTACLE W/WIRELESS DATA NETWORK OUTLET Mount Above Ceiling
	PHOTOCELL
	MOTION DETECTOR
	MANUAL MOTOR SWITCH
	FIRE ALARM SMOKE DETECTOR Indicates Localized Smoke Detector Both Audible & Visual Alarm
	FIRE ALARM AUDIO VISUAL
	FIRE ALARM PULL STATION
	FIRE ALARM HEAT DETECTOR
	HANDICAP DOOR OPENER
	JUNCTION BOX
	#2 CEILING MTD. FLUORESCENT LIGHT FIXTURE Load Center Circuit Number Fixture Designation
	W1 #2 WALL MOUNTED LIGHT FIXTURE
	C1 #2 SURFACE MOUNTED LIGHT FIXTURE
	S LIGHT/DEVICE SWITCH
	ELECTRIC LOAD CENTER/PANELBOARD
	CEILING FAN
	SURVEILLANCE CAMERA BY OWNER (Provide Box & Wire Only) C = Ceiling Mounted W = Wall Mounted

SINGLE LINE DIAGRAM SYMBOLS

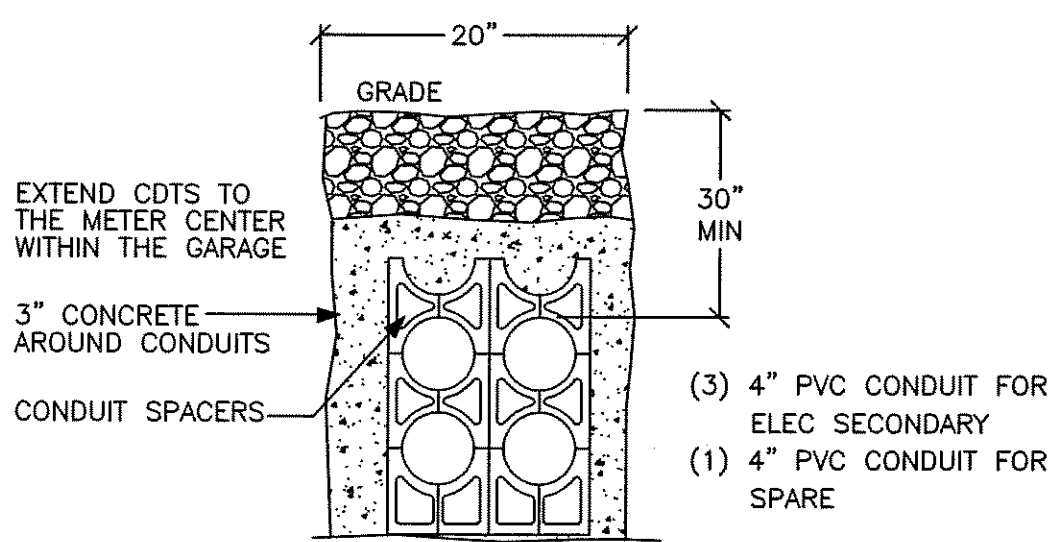
SYMBOL	DESCRIPTION
	Ampere Frame Rating (3 poles Except as Noted Otherwise)
	CIRCUIT BREAKER
	Ampere Trip Rating
	ELECTRICAL CONNECTION
	GROUND CONNECTION
	EQUIPMENT ENCLOSURE
	TRANSFORMER
	UNFUSED SWITCH No. of Poles Ampere Rating
	UTILITY CO. SERVICE METER



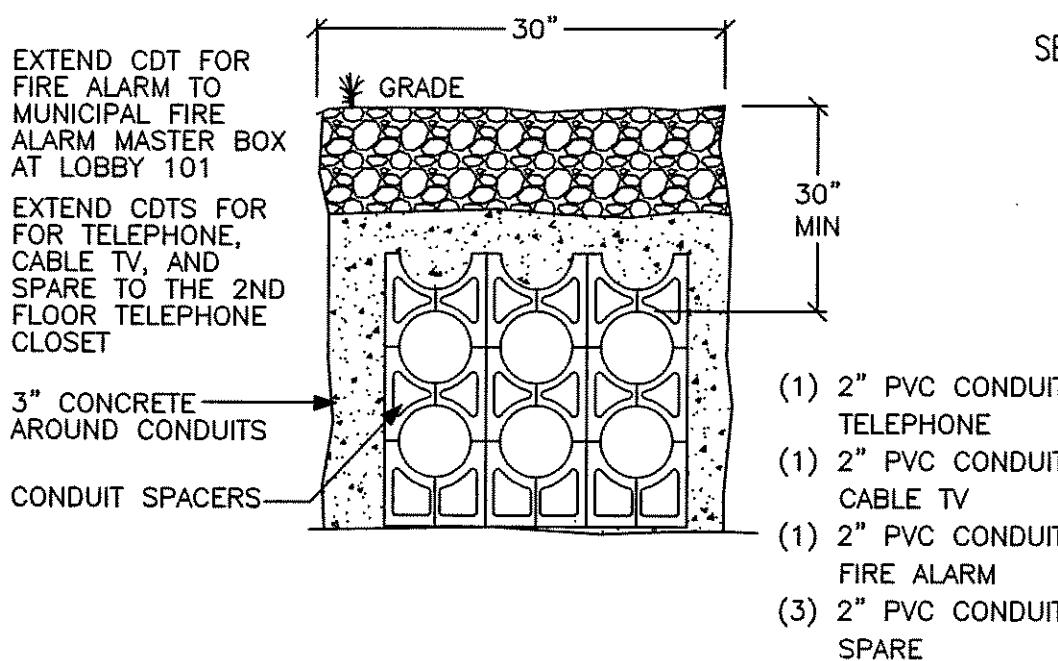
TYPE S2 LIGHT BASE DETAIL
1" = 1'-0"



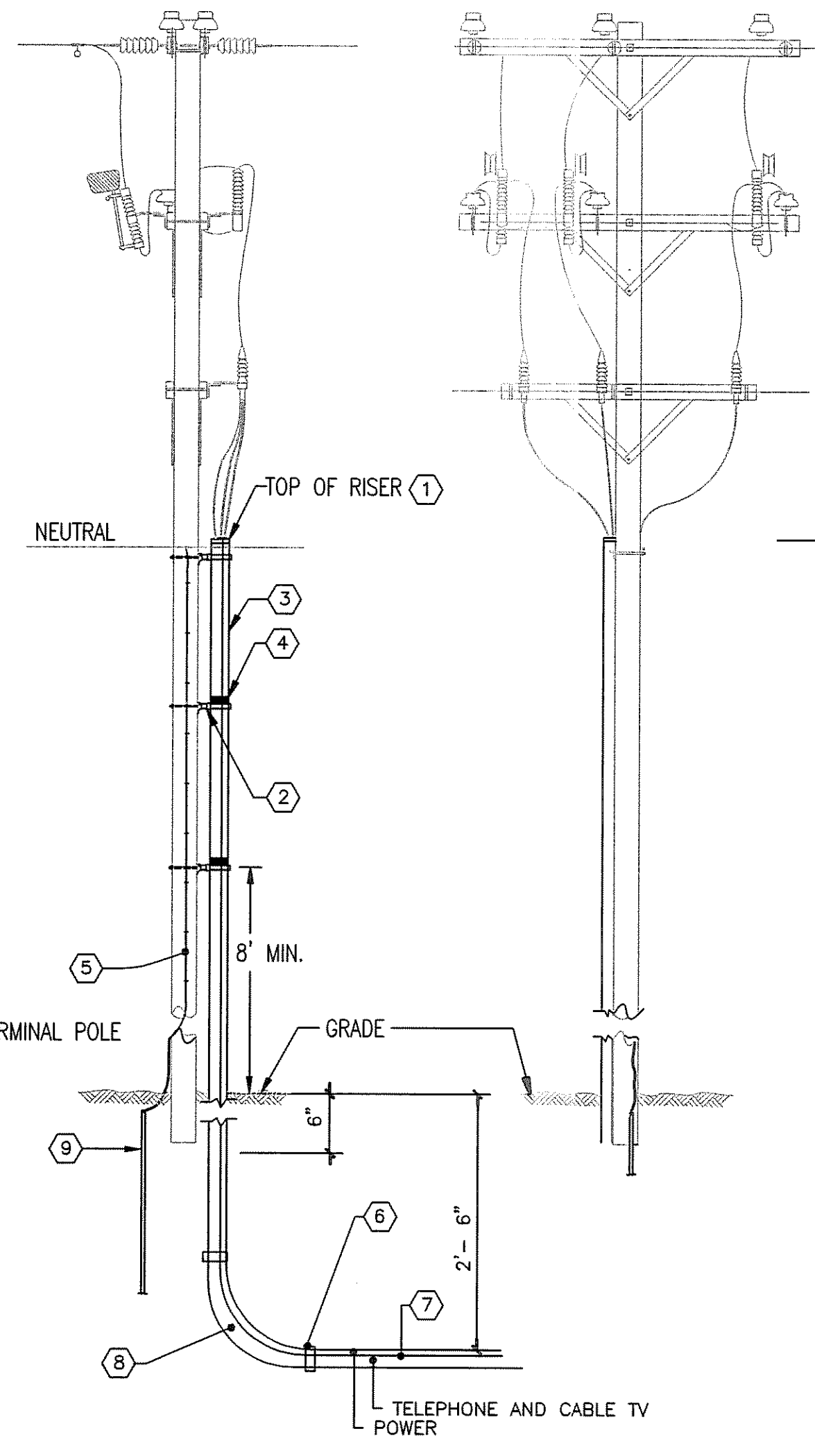
MODULAR METER CENTER DETAIL
1/2" = 1'-0"



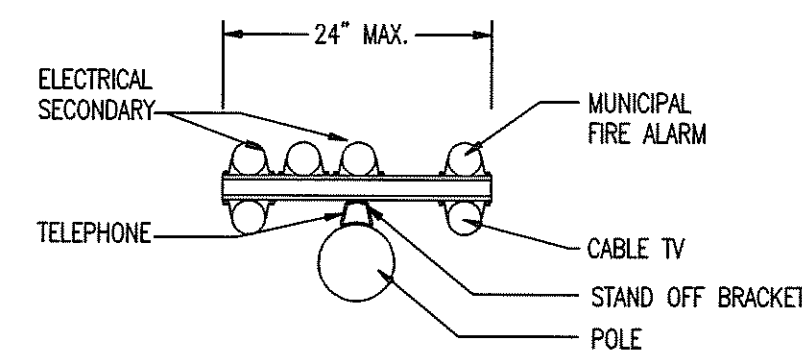
DUCT SECTION - A
NOT TO SCALE



DUCT SECTION - B
NOT TO SCALE



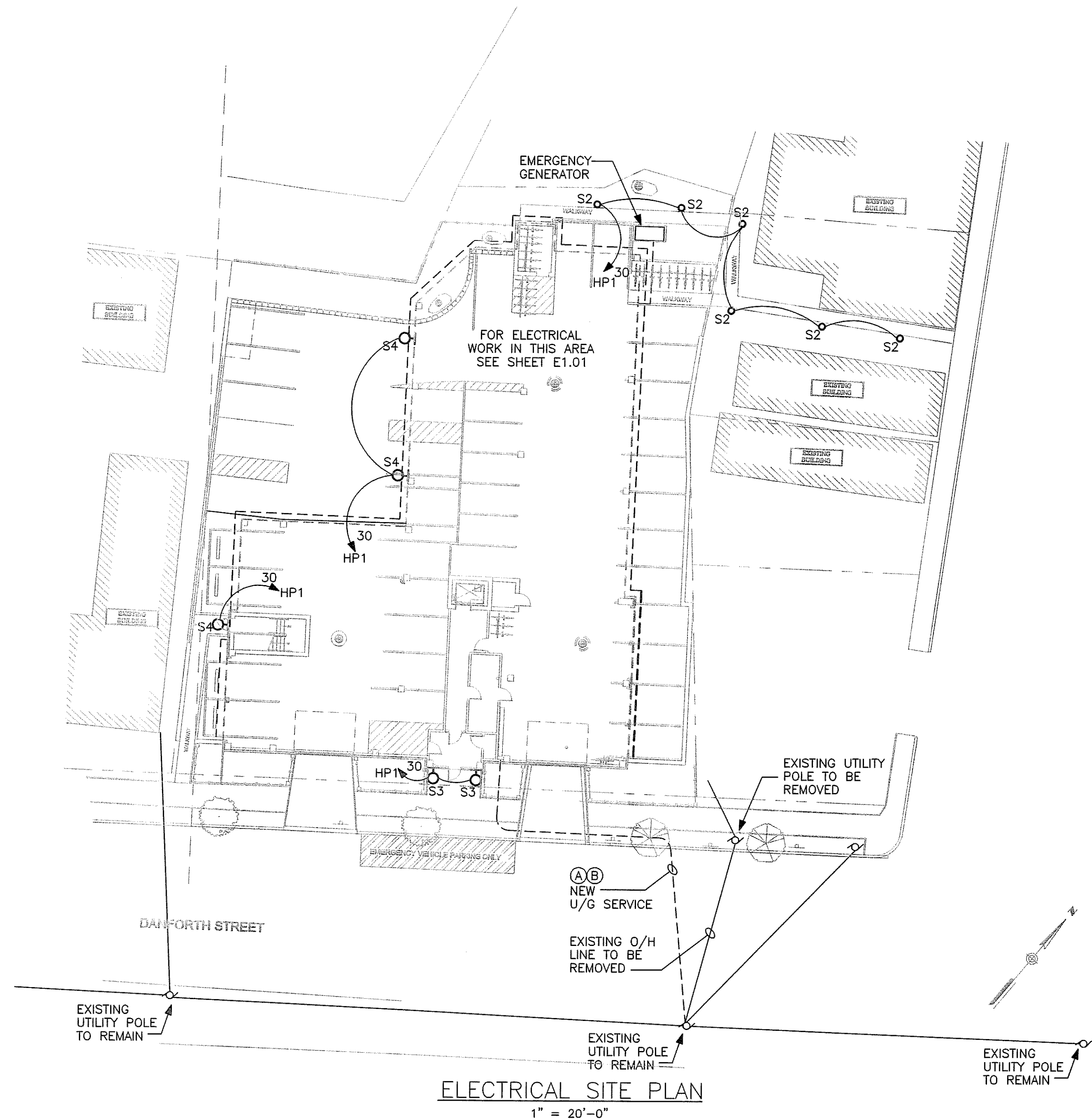
RISER POLE DETAIL
NOT TO SCALE



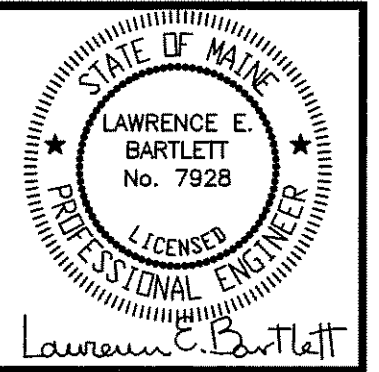
WORK BY UTILITY CO.'S
WORK BY ELEC. CONTRACTOR

NOTES

- SEAL TOP OF CONDUIT WITH POLYURETHANE SEALER. TOP OF CONDUIT SHALL HAVE A DOUBLE NON-THREADED PLASTIC COUPLING. TOP OF CONDUIT SHALL EXTEND 4" ABOVE PRIMARY NEUTRAL.
- CONDUIT STANDOFF BRACKETS - CONDUIT SECTION USED WITH STANDOFF BRACKETS SHALL BE METAL CONDUIT ONLY. TOP CONDUIT SECTIONS LONGER THAN 24" MUST BE SUPPORTED. LOWEST BRACKET SHALL BE A MINIMUM OF 3 FEET ABOVE FINISHED GRADE. ONE BRACKET SHALL BE USED TO SUPPORT EACH 10 FOOT SECTION OF CONDUIT WITH THE BRACKET PLACED JUST BELOW THE RISER CONDUIT COUPLING. A BRACKET WILL ALSO BE PLACED TO HOLD THE TOP OF THE RISER CONDUIT.
- RIGID STEEL GALVANIZED CONDUIT.
- STEEL CONDUIT COUPLING.
- CONDUIT GROUNDING CONNECTOR.
- PVC TO STEEL CONDUIT COUPLING.
- PVC SCHEDULE 40 CONDUIT. COVER WITH CONCRETE WHERE PASSING UNDER ROADWAYS OR DRIVES.
- LONG SWEEP CONDUIT ELBOW.
- 3/4" DIA BY 10 FT. LONG COPPER CLAD GROUND ROD.



ELECTRICAL SITE PLAN
1" = 20'-0"



OWNER:

ARCHETYPE, P.A.
ARCHITECTS
48 Union Wharf Portland, Maine 04101
(207) 772-6022 Fax (207) 772-4056

Project:
53 DANFORTH STREET
PORTLAND, ME

Scale AS NOTED
Date 15 JULY 2008

100% CONST DOCS
ELECTRICAL
SITE PLAN &
DETAILS

E0.01