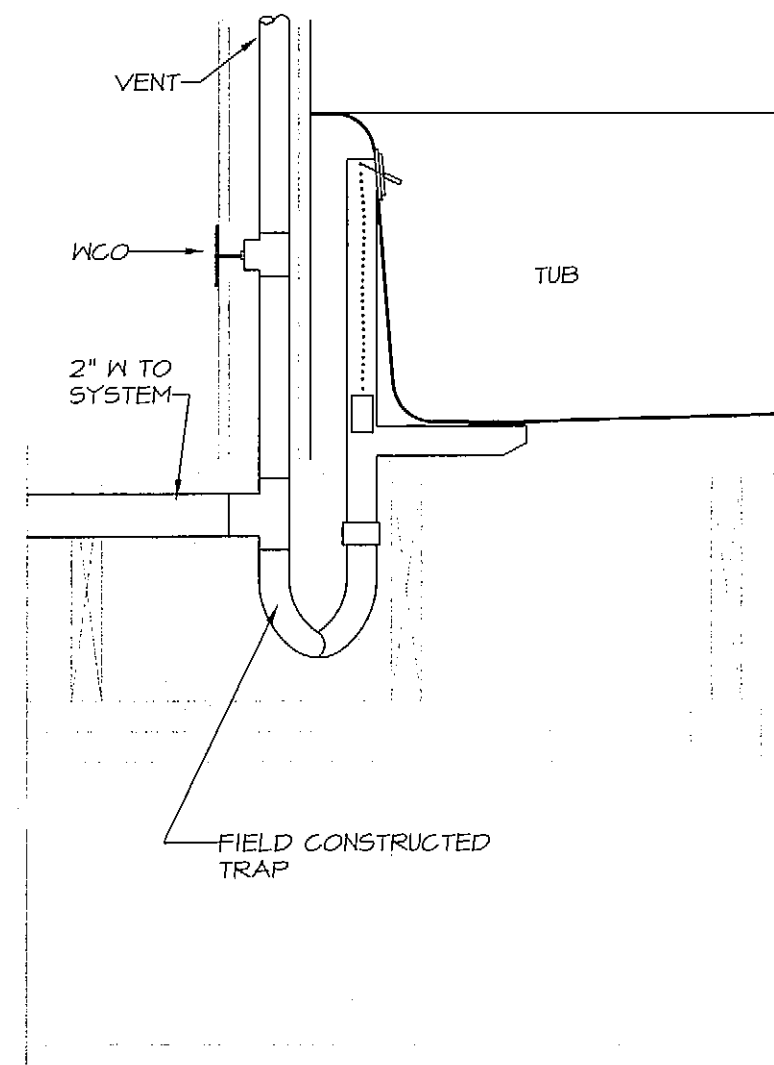
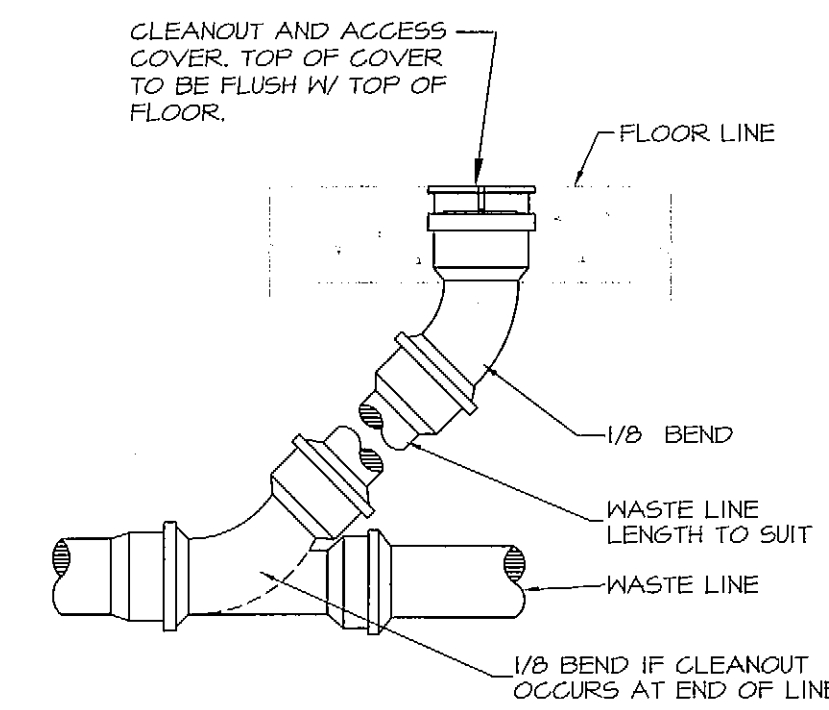


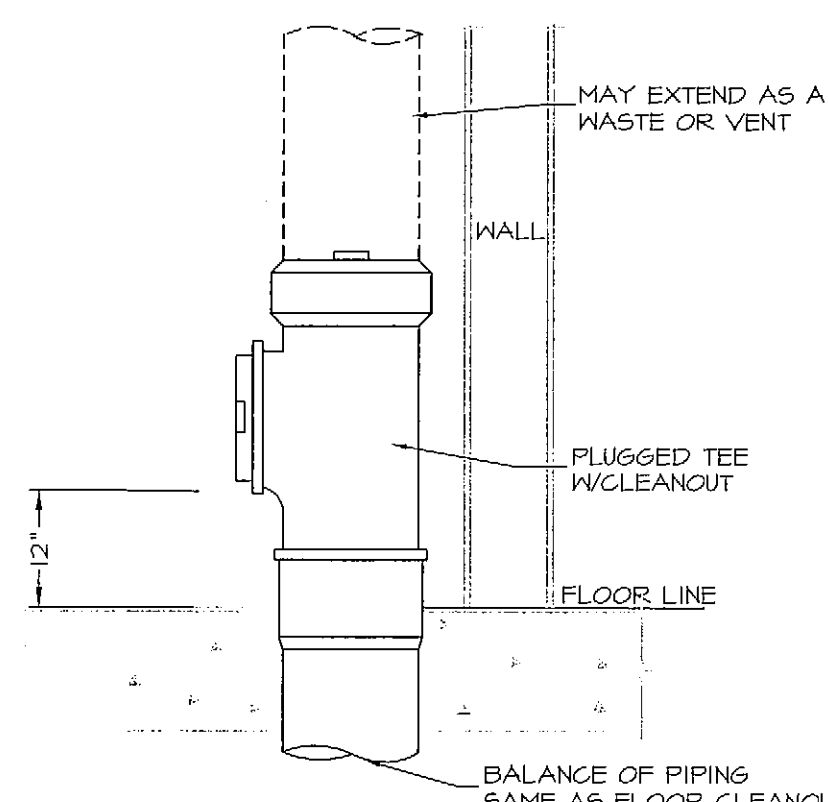
1
PI.03 **HOT WATER SYSTEM DIAGRAM**
SCALE: NONE



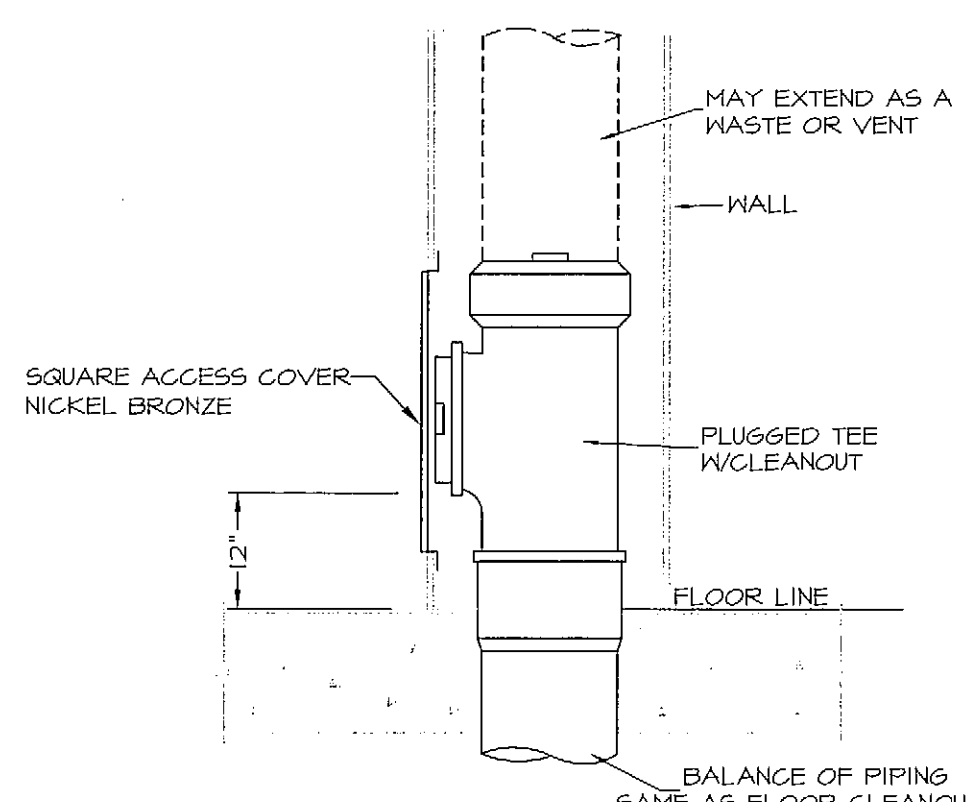
2
TYP **2ND FLOOR TUB/SHOWER TRAP W/ WCO DETAIL**
SCALE: NONE



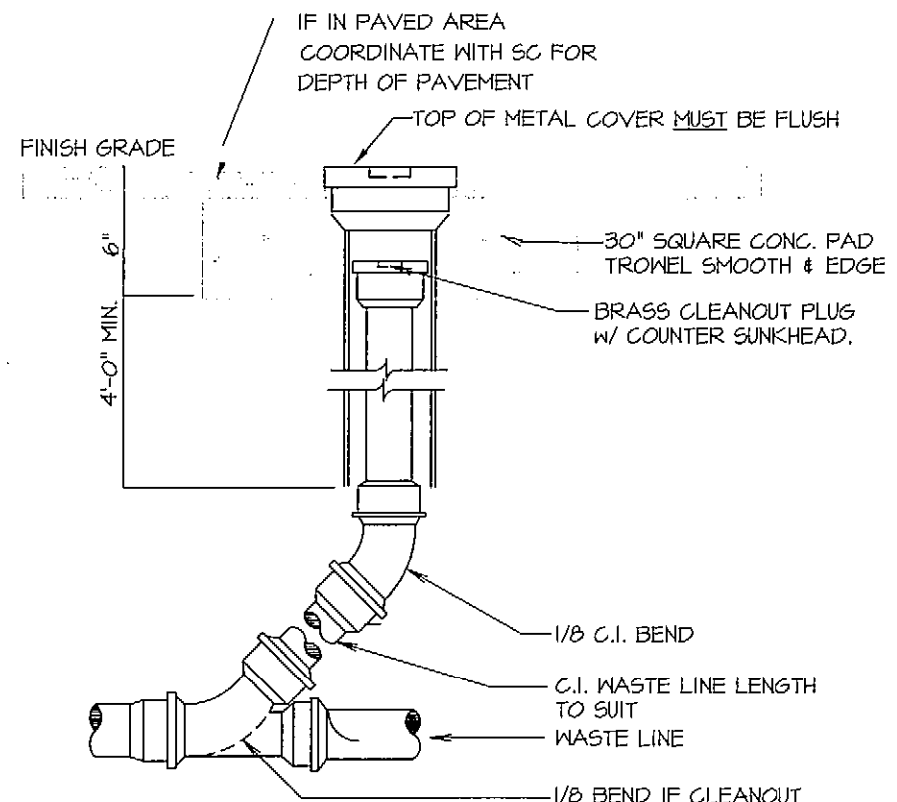
3
TYP **FLOOR CLEAN OUT DETAIL**
SCALE: NONE



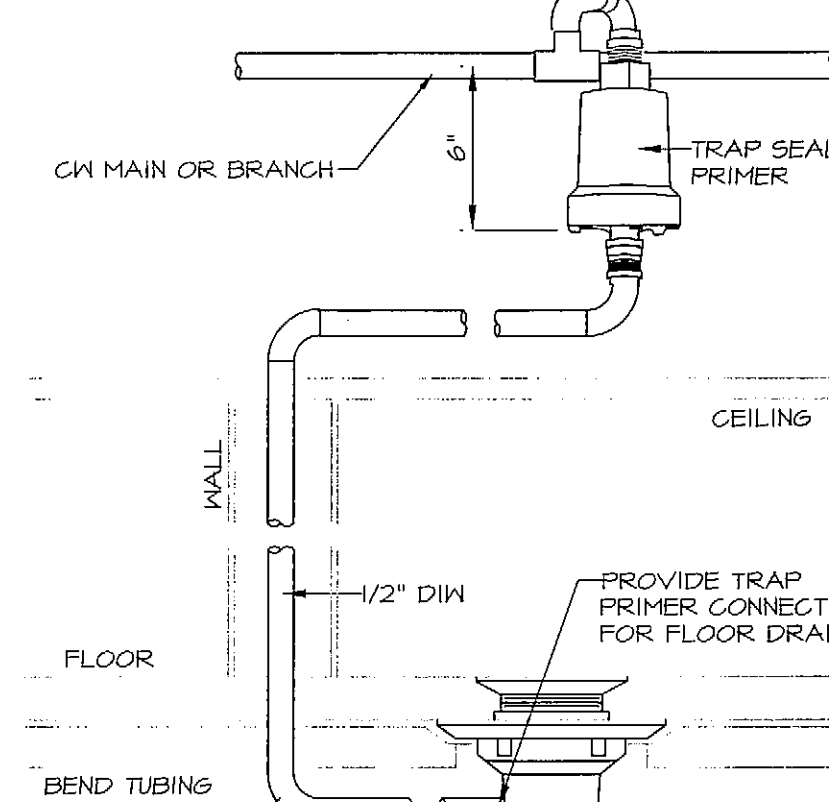
4
TYP **EXPOSED CLEAN OUT DETAIL**
SCALE: NONE



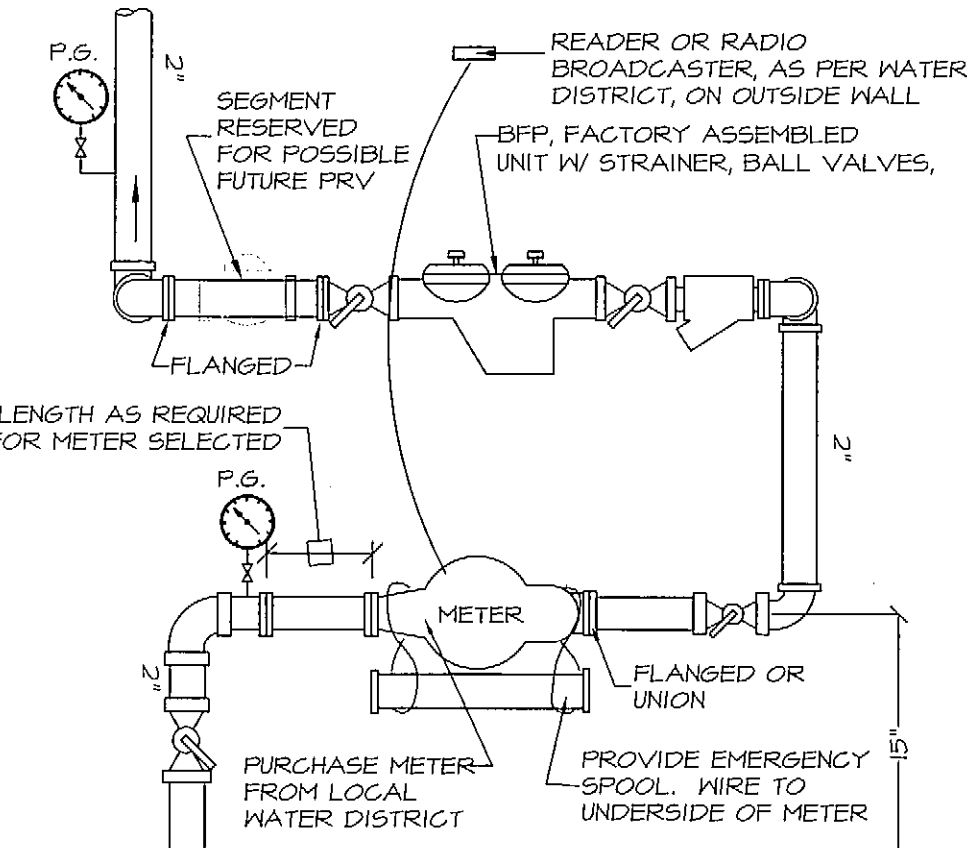
5
TYP **WALL CLEAN OUT DETAIL**
SCALE: NONE



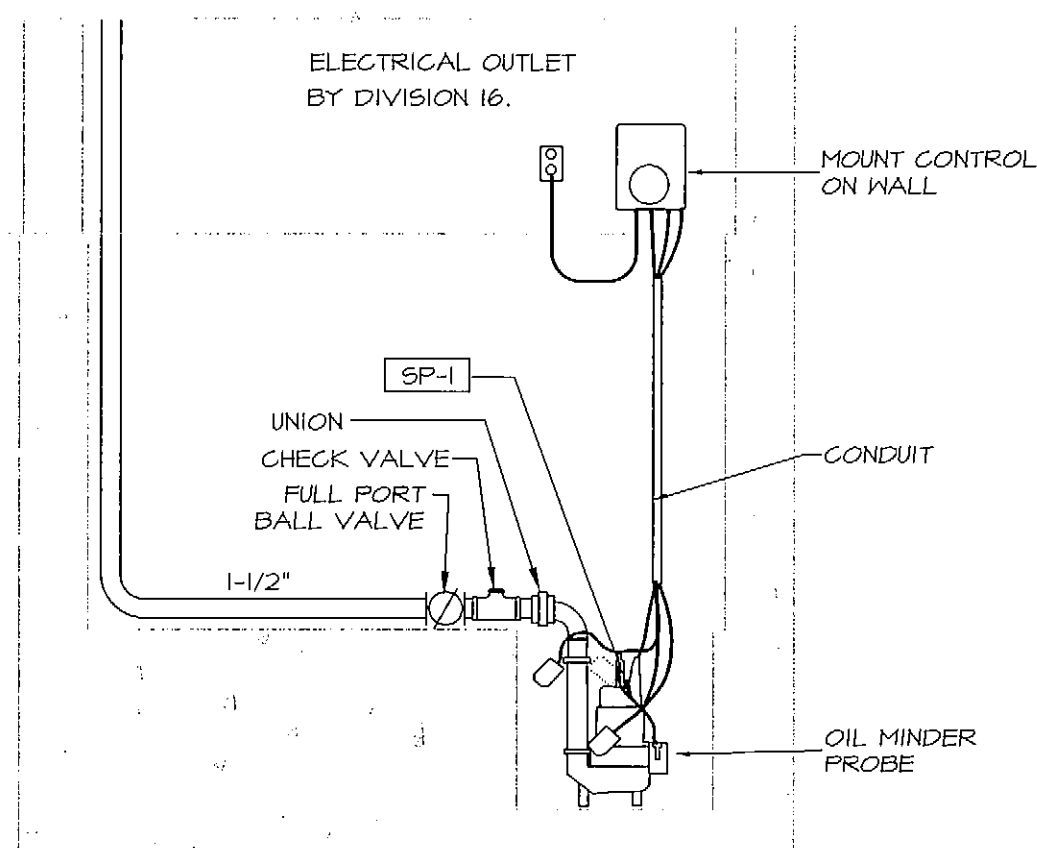
6
TYP **WALL CLEAN OUT DETAIL**
SCALE: NONE



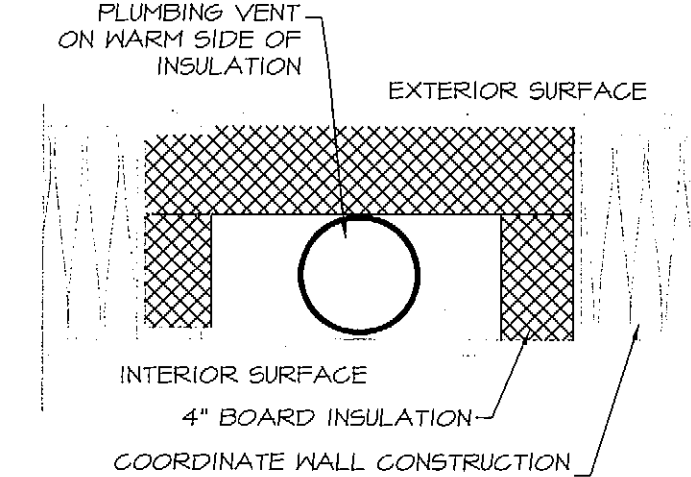
7
TYP **AUTOMATIC TRAP SEAL PRIMER DETAIL**
SCALE: NONE



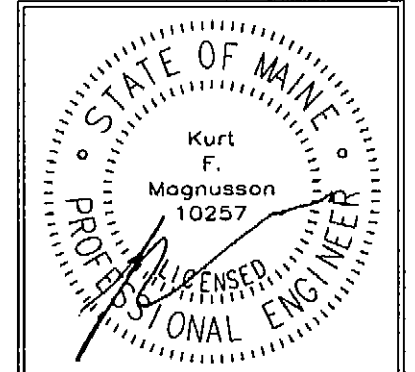
8
PI.01 **MAIN DOMESTIC WATER ENTRANCE**
SCALE: NONE



9
PI.01 **ELEVATOR SUMP PUMP DETAIL**
SCALE: NONE



10
TYP **VENT PIPE RISING IN EXTERIOR WALL**
SCALE: NONE



OWNER:
53 DANFORTH STREET, LP
C/O THE SZANTON COMPANY
ONE CITY CENTER - 4TH FLOOR
PORTLAND, ME 04101

ARCHETYPE, P.A.
ARCHITECTS
48 Union Wharf - Portland, Maine 04101
(207) 772-6022 Fax (207) 772-4056

53 DANFORTH
53 DANFORTH STREET
PORTLAND, MAINE

Project:

Date:	28 MAY 2008	Scale:	AS NOTED
Revisions:	28 May 2008 - 50% MSHA Submittal		
	1 July 2008 - 90% MSHA Submittal		
	15 July 2008 - Pricing Set		
	25 July 2008 - 100% MSHA Submittal		

PROGRESS SET
PLUMBING
DETAILS

P2.01
M.S.E. PROJECT 0812