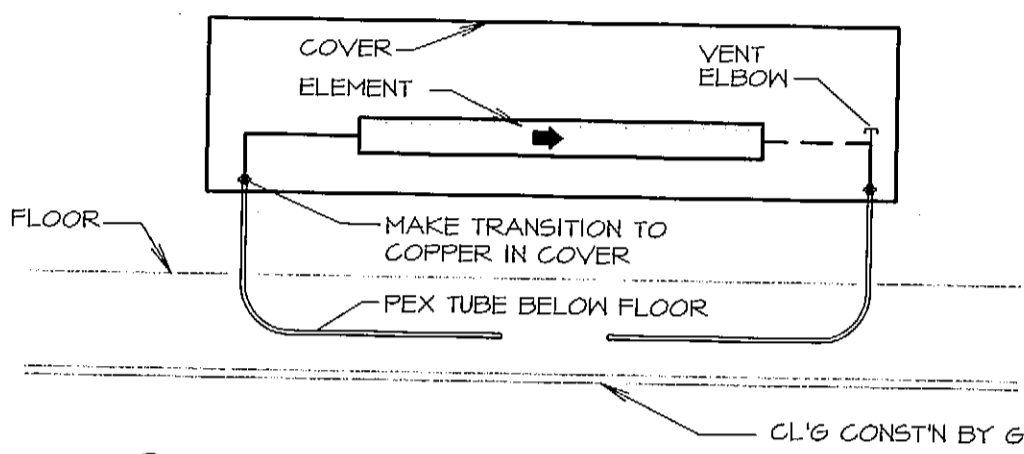
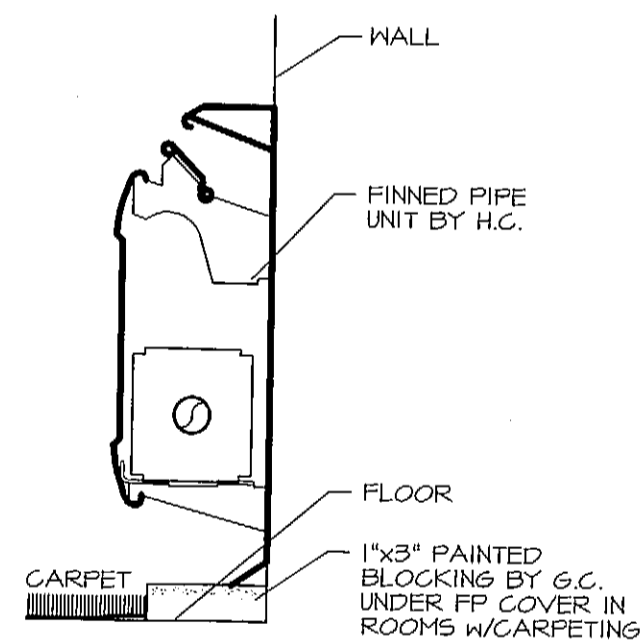


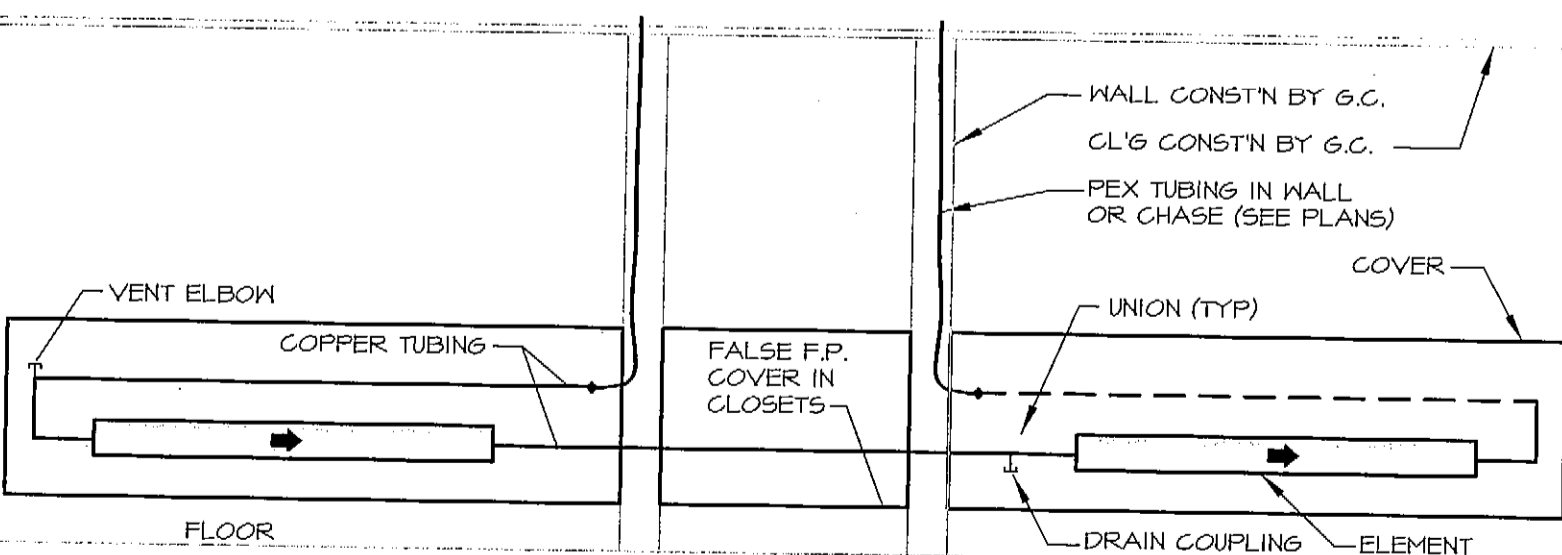
1 DOWNFEED FINNED PIPE RETURN IN COVER
NO SCALE



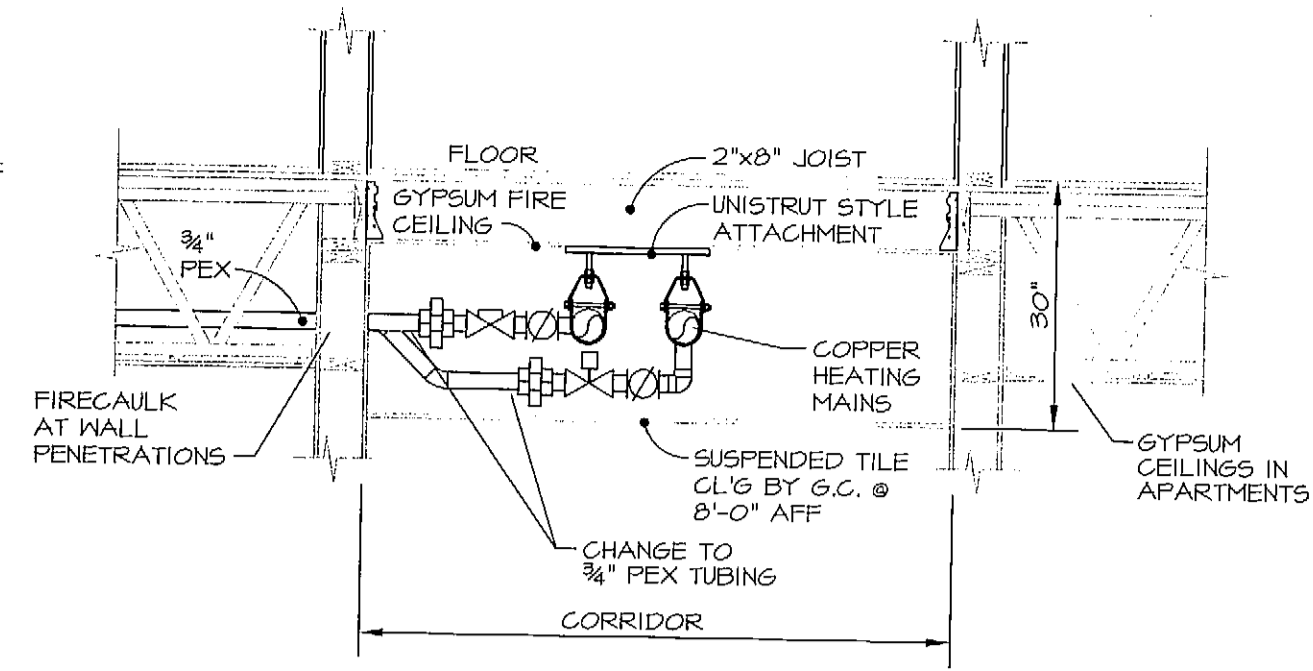
2 UPFEED FINNED PIPE OPPOSITE END FEED
NO SCALE



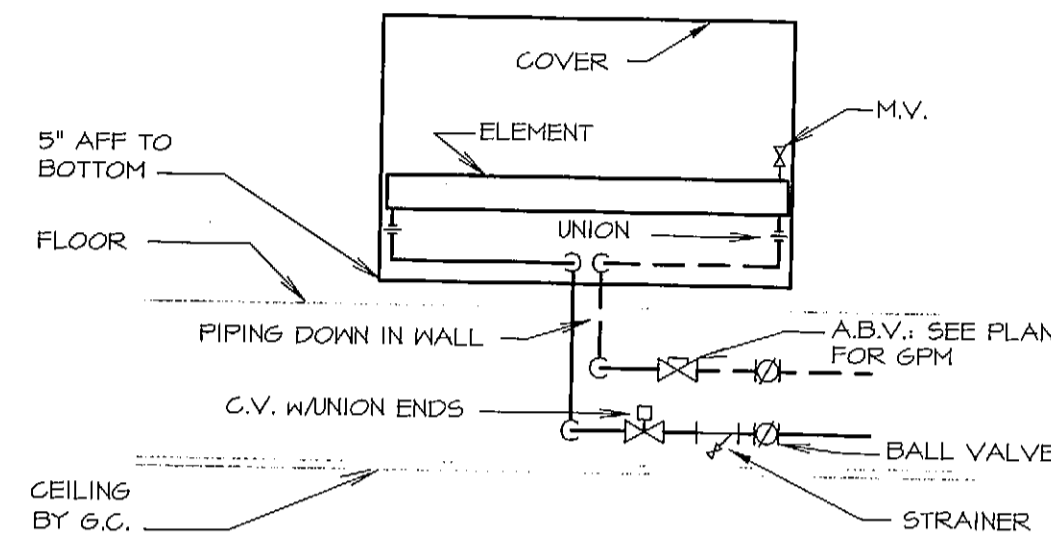
3 FINNED PIPE MOUNTING DETAIL
NO SCALE



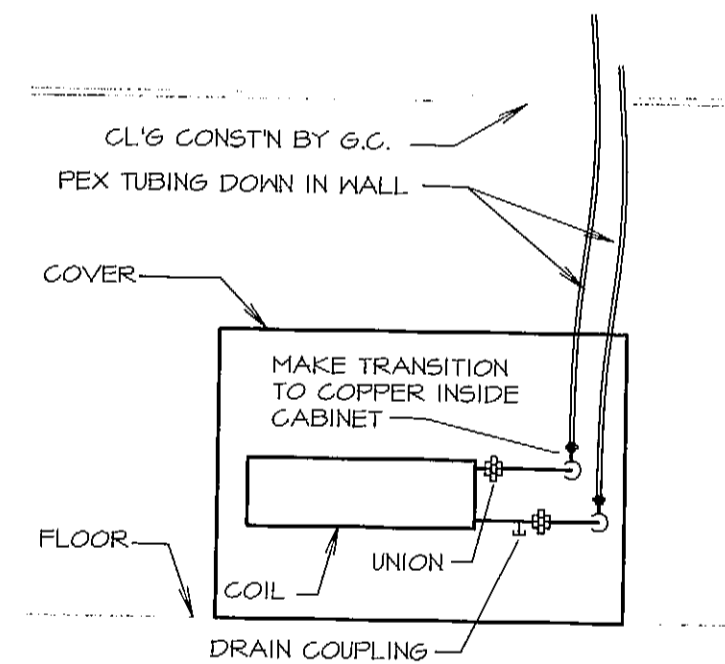
4 DOWNFEED FINNED PIPE - TWO WAY FEED
NO SCALE



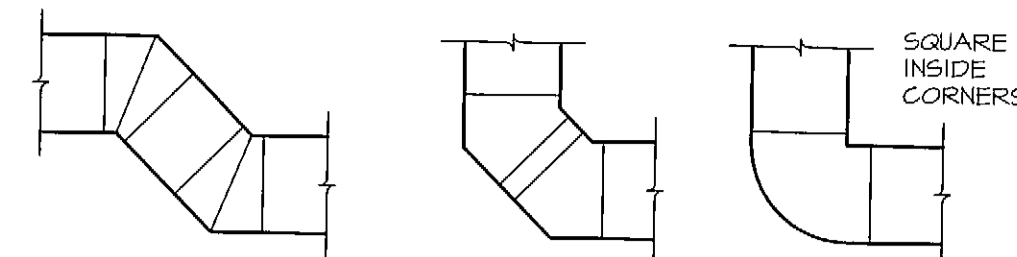
5 BRANCH PIPING FROM MAINS
SCALE: 1/2" = 1'-0"



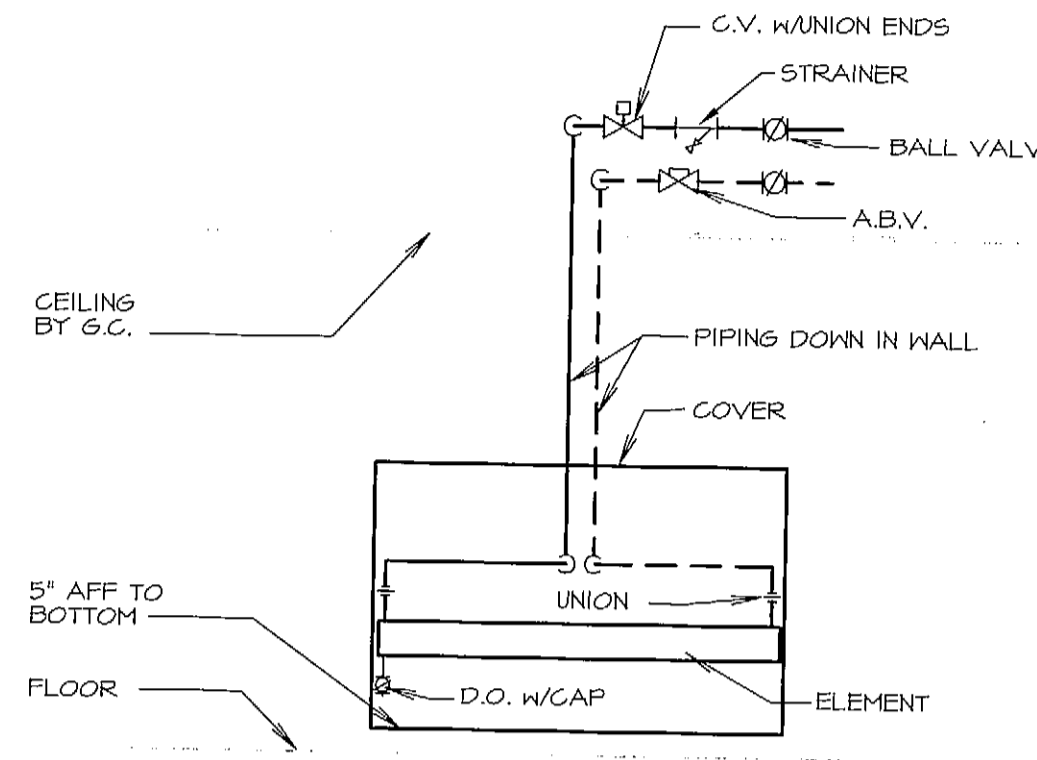
6 UPFEED CONVECTOR
NO SCALE



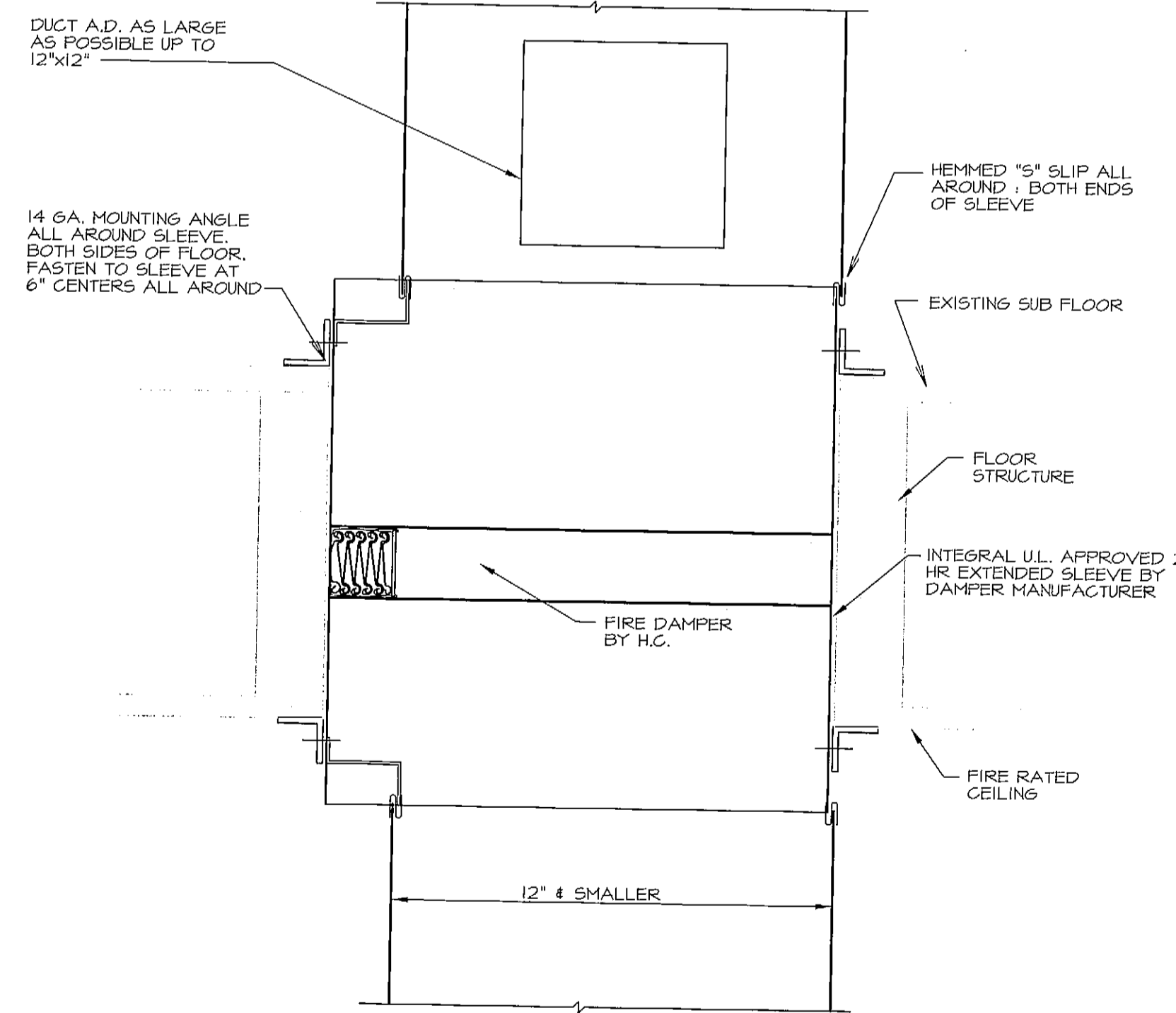
7 DOWNFEED CABINET UNIT HEATER
NO SCALE



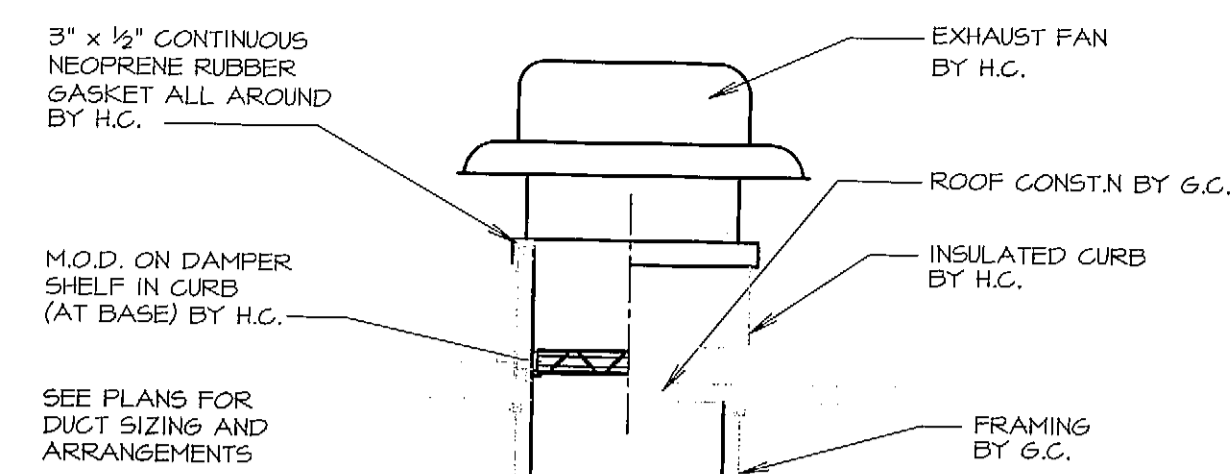
8 UNACCEPTABLE DUCT FITTINGS
NO SCALE



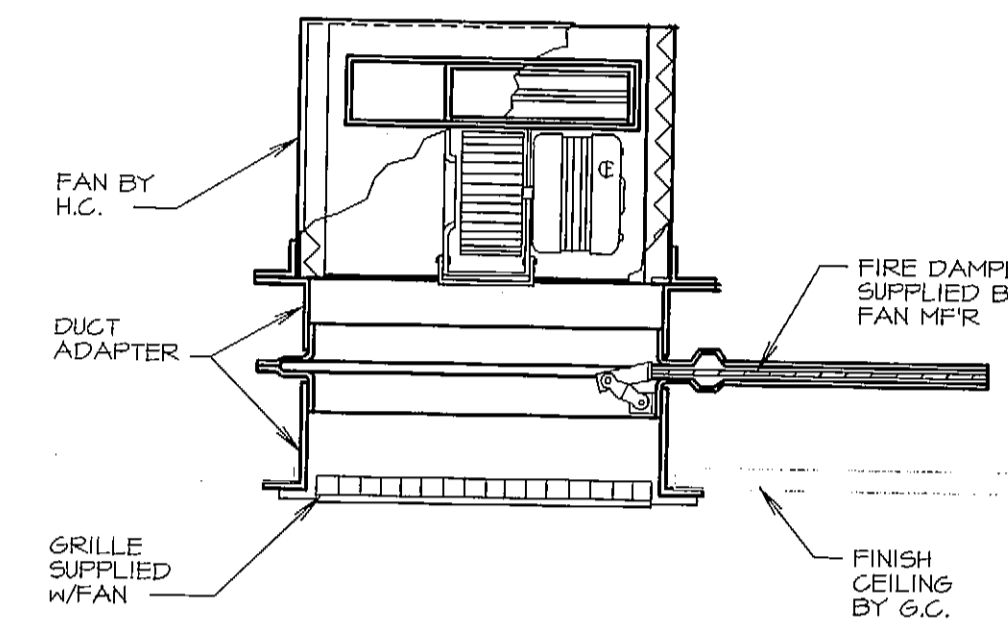
9 DOWNFEED CONVECTOR
NO SCALE



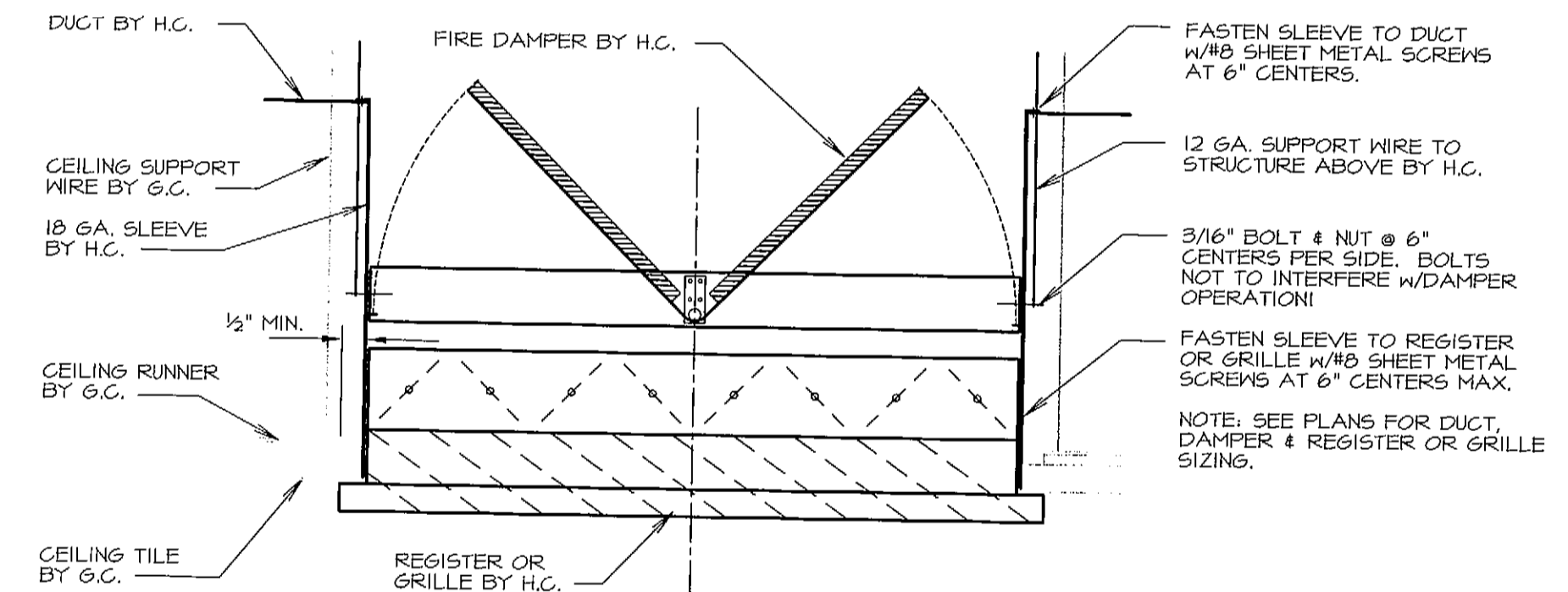
10 FLOOR FIRE DAMPER STYLE "B"
NO SCALE



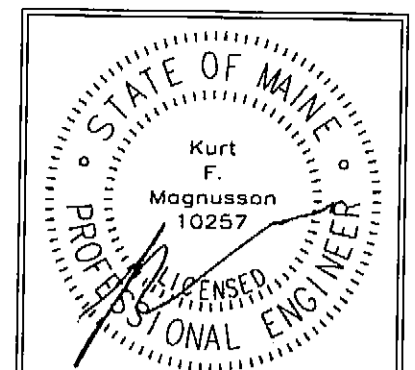
11 ROOF FAN
NO SCALE



12 CEILING FAN & SECONDARY FIRE DAMPER ASSEMBLY
NO SCALE



13 FIRE DAMPER ABOVE CEILING REGISTER OR GRILLE
NO SCALE



OWNER:
53 DANFORTH STREET, LP
C/O THE SZANTON COMPANY
ONE CITY CENTER - 4TH FLOOR
PORTLAND, ME 04101

ARCHETYPE, P.A.
ARCHITECTS
48 Union Wharf Portland, Maine 04101
(207) 772-6022 Fax (207) 772-4056

Project:
53 DANFORTH
53 DANFORTH STREET
PORTLAND, MAINE

Date: 28 MAY 2008
Scale: AS NOTED
Revisions:
28 May 2008 - 50% MSHA Submittal
1 July 2008 - 90% MSHA Submittal
15 July 2008 - Pricing Set
25 July 2008 - 100% MSHA Submittal

PROGRESS SET
GENERAL
MECHANICAL
DETAILS

M2.02
M.S.E. PROJECT 0812

MECHANICAL SYSTEMS ENGINEERS
ROYAL RIVER CENTER, UNIT #10
10 FOREST FALLS DRIVE
YARMOUTH, MAINE 04096
VOICE: (207) 846-1441
FAX: (207) 846-1443
mechsyst@maine.rr.com
© COPYRIGHT 2008

July 25, 2008 - 10:16 am
\\mechsys\projects\0812_53_Danf\Drawings\0812_M201-M202.dwg