

OWNER:
 53 DANFORTH STREET, LP
 C/O THE SZANTON COMPANY
 ONE CITY CENTER - 4TH FLOOR
 PORTLAND, ME 04101

ARCHETYPE, P.A.
 ARCHITECTS
 48 Union Wharf Portland, Maine 04101
 (207) 775-6022 Fax (207) 775-4056

53 DANFORTH
 53 DANFORTH STREET
 PORTLAND, MAINE

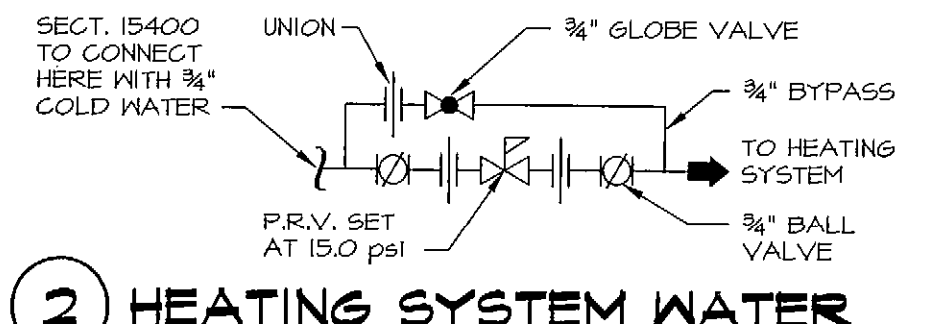
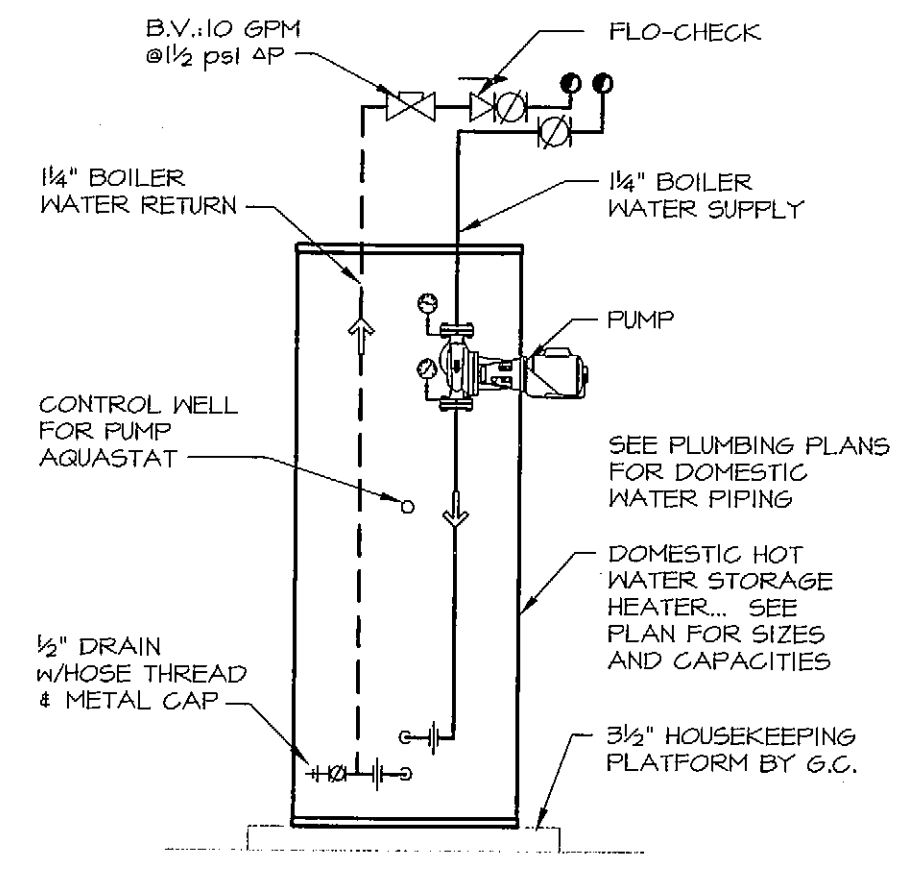
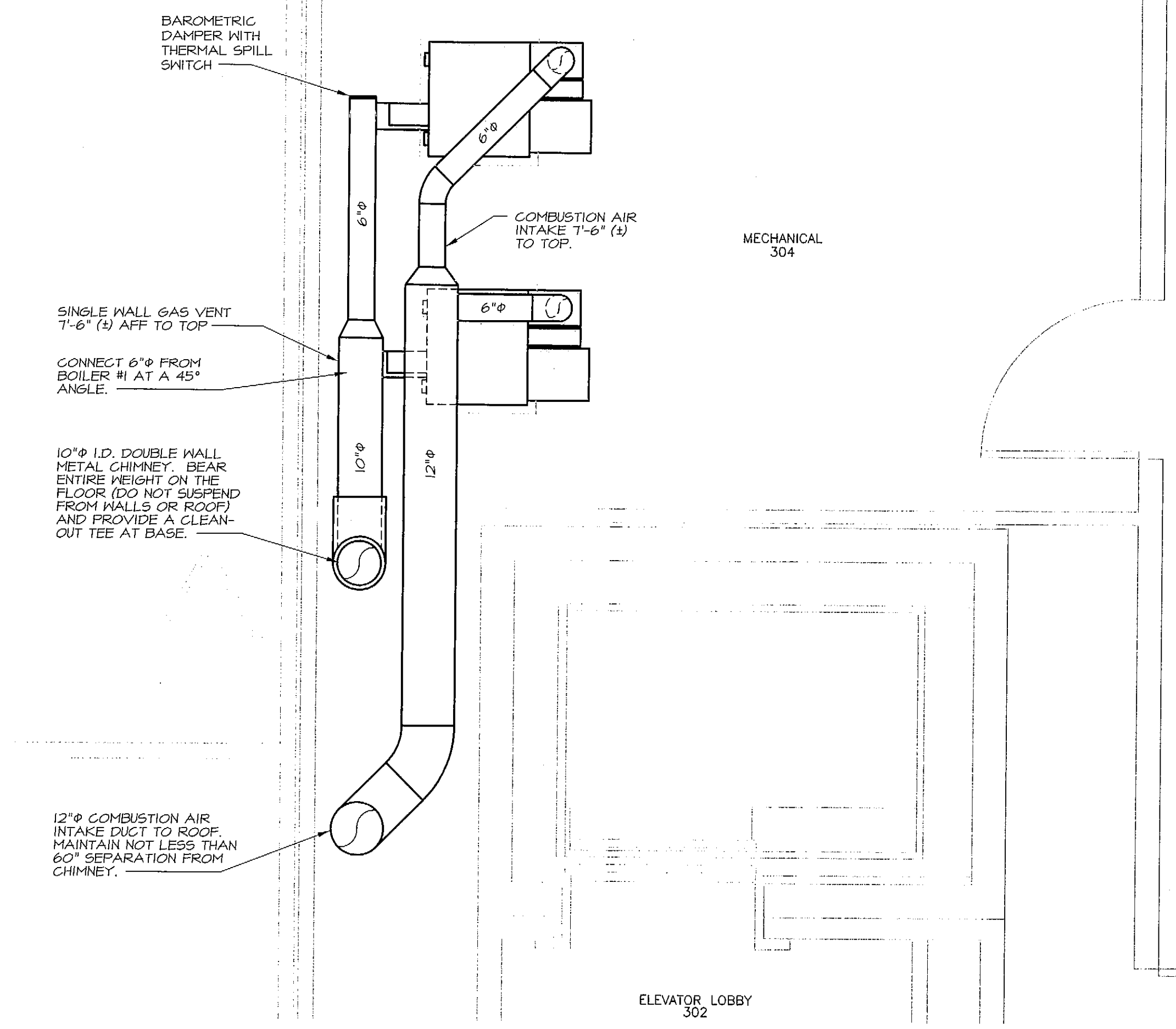
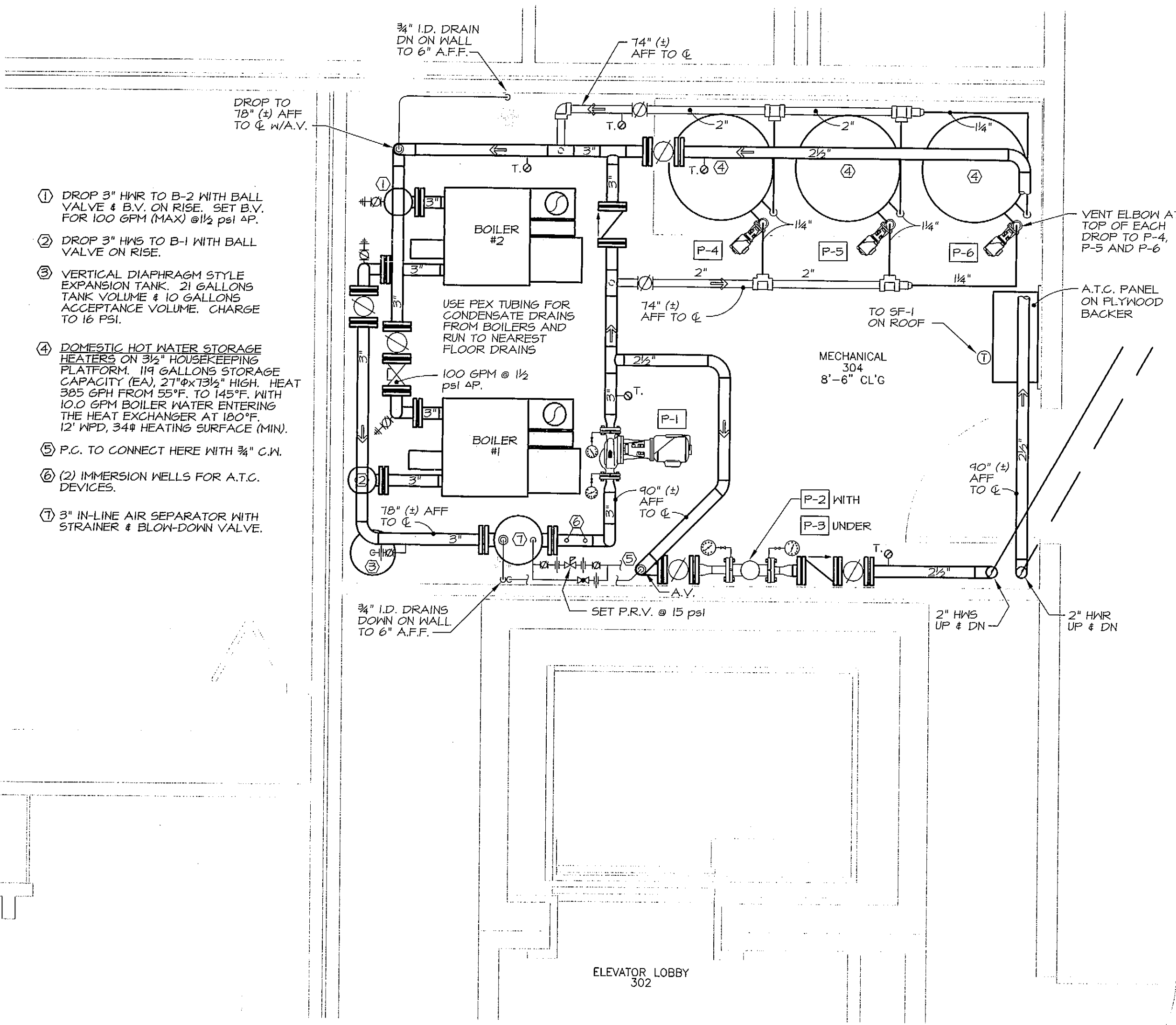
Project:

Date:	28 MAY 2008	Scale:	AS NOTED
Revisions:	28 May 2008 - 50% MSHA Submittal		
	1 July 2008 - 90% MSHA Submittal		
	15 July 2008 - Pricing Set		
	25 July 2008 - 100% MSHA Submittal		

PROGRESS SET
 ENLARGED
 MECHANICAL
 ROOM PLAN

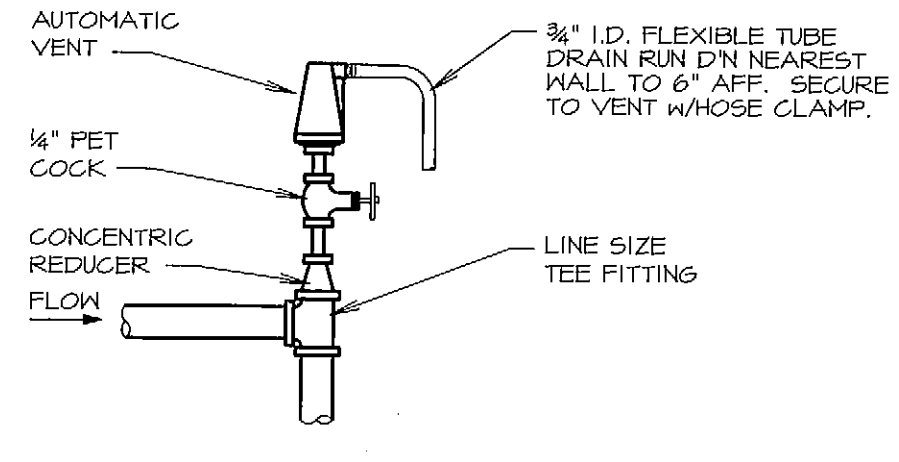
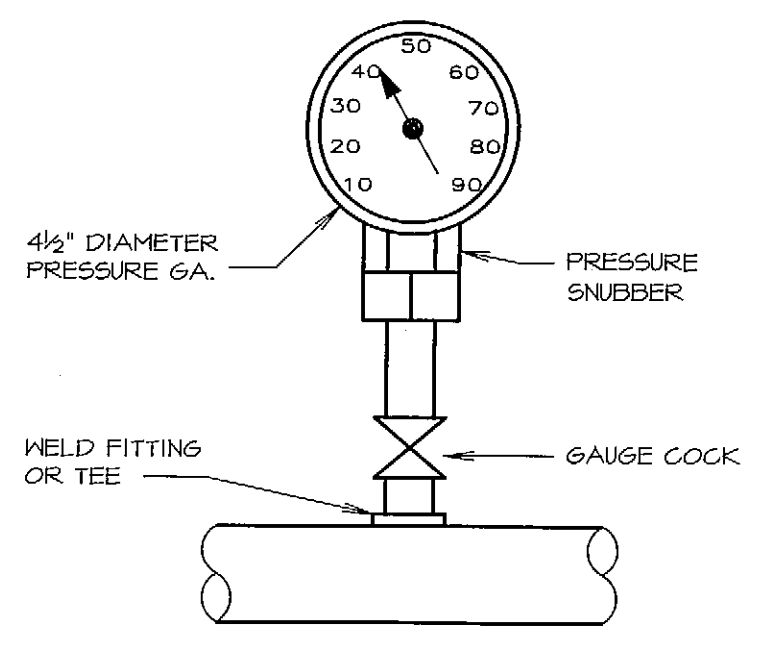
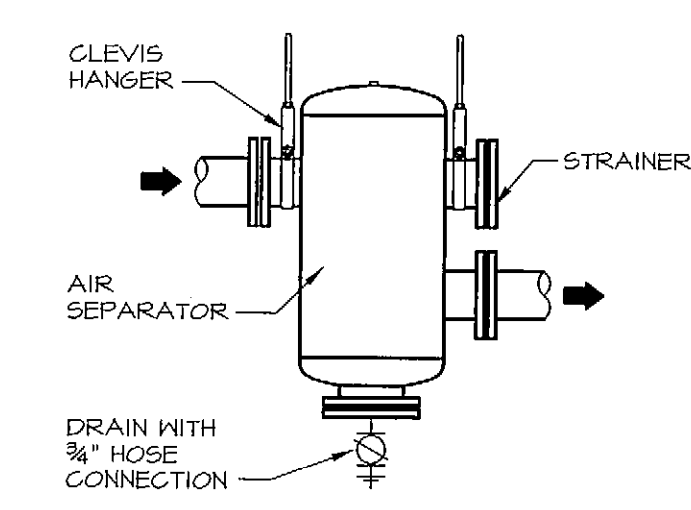
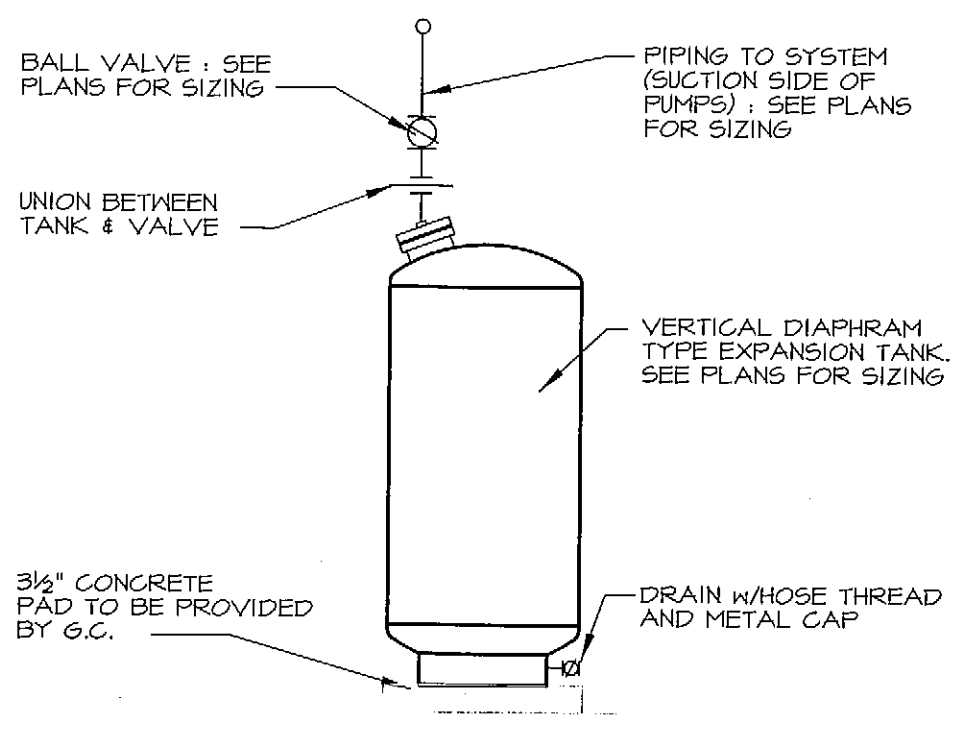
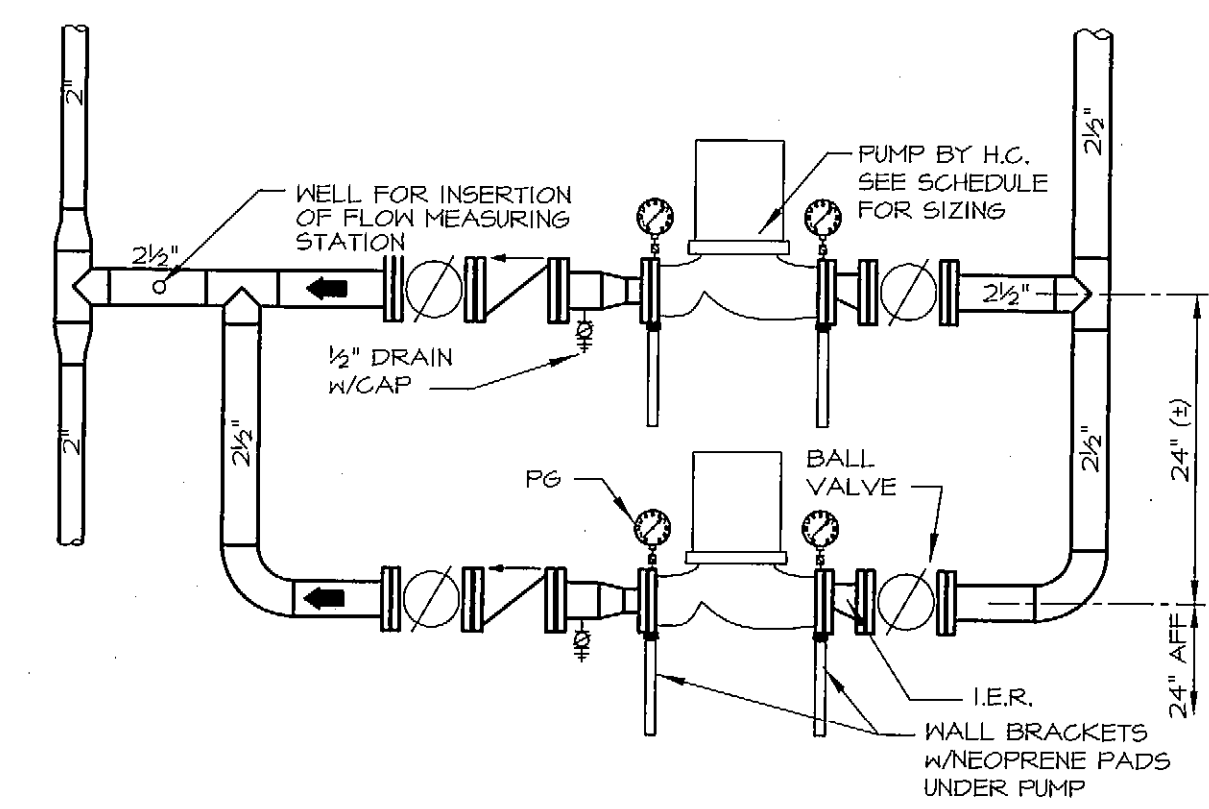
M2.01

M.S.E. PROJECT 0812



3 MECHANICAL ROOM PLAN
 SCALE: 1/2" = 1'-0"

4 BOILER VENTING PLAN
 SCALE: 1/2" = 1'-0"



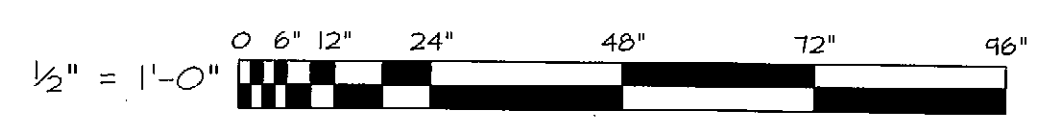
5 PUMPS P-2 AND P-3
 NO SCALE

7 DIAPHRAGM TYPE EXPANSION TANK
 NO SCALE

9 AIR SEPARATOR
 NO SCALE

6 WATER PRESSURE GAUGE
 NO SCALE

8 AUTOMATIC VENT
 NO SCALE



MECHANICAL SYSTEMS ENGINEERS
 ROYAL RIVER CENTER, UNIT #10
 10 FOREST FALLS DRIVE
 YARMOUTH, MAINE 04096
 VOICE: (207) 846-1441
 FAX: (207) 846-1443
 mechsys@maine.ms.ee.com
 © COPYRIGHT 2008

July 25, 2008 - 10:17 am
 \\Merpast\projects\0812_53_Danforth\Drawings\0812_M201-M202.dwg