

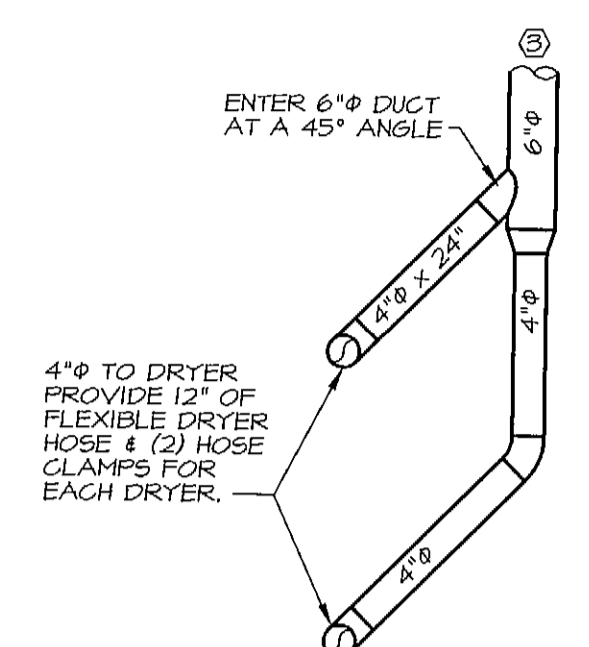
**1 CLOTHES DRYER VENTS IN LAUNDRY 504**

NO SCALE

ALL BATHROOM FANS (EF) TO HAVE 4" Ø DUCTS RUNNING THRU ROOF ON 5th FLOOR.

RANGE HOODS (RH) TO HAVE 10"x3 1/4" DUCT CONNECTIONS. TRANSITION TO 6" Ø ABOVE HOOD AND RUN THRU ROOF ON THE 5th FLOOR.

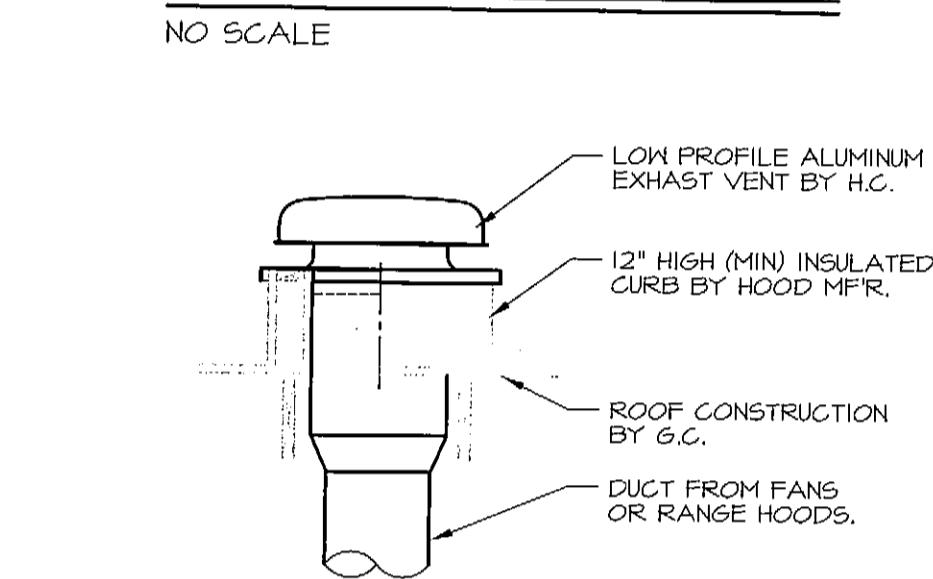
ALL DUCTWORK FOR RANGE HOODS TO HAVE FIRE DAMPERS AT DUCT PENETRATION THRU CEILINGS.



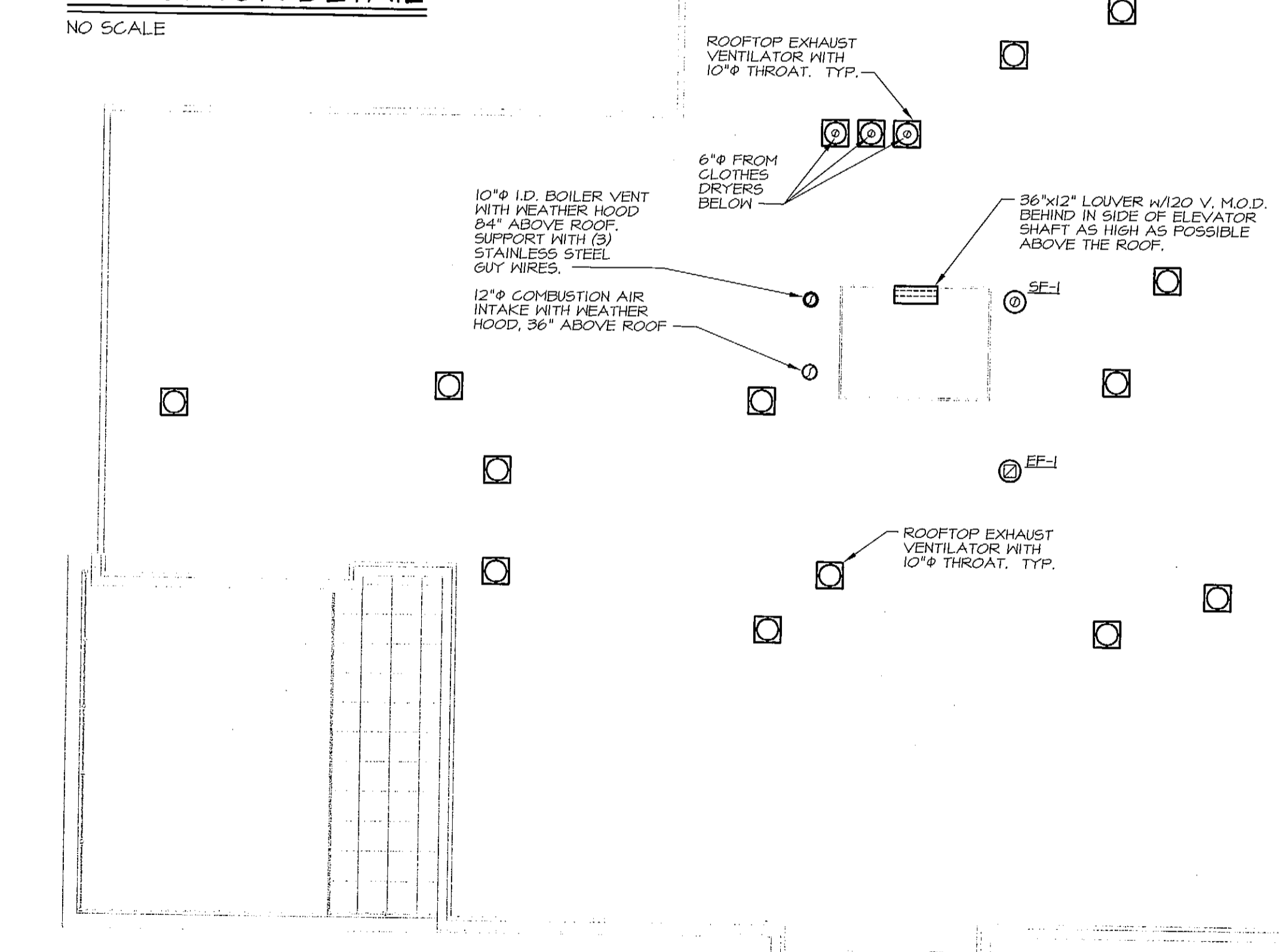
**2 MECHANICAL FIFTH FLOOR PLAN**

SCALE: 1/8" = 1'-0"

**3 TYPICAL RANGE HOOD FIRE DAMPER DETAIL**



**4 ROOFTOP EXHAUST VENTILATOR DETAIL**



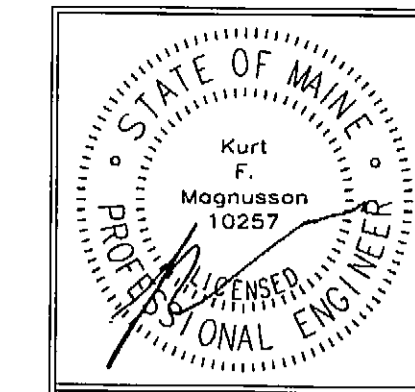
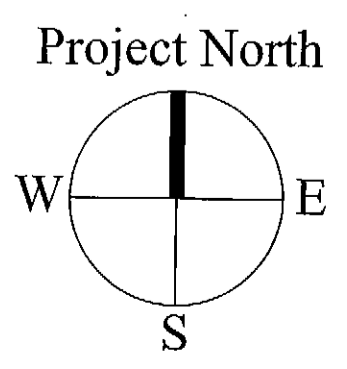
- 1 8"x6" E.R. ~ 100 CFM 90" AFF TO TOP
- 2 8"x8" DN WITH F.D. @ 5th FLOOR AND 10"x10" UP TO EF-1 ON ROOF.
- 3 6" Ø DRYER VENT UP THRU ROOF.
- 4 PROVIDE F.D. AT FLR WITH DUCT A.D. IMMEDIATELY ABOVE F.D.

**5 MECHANICAL ROOF PLAN**

SCALE: 1/8" = 1'-0"



**MECHANICAL SYSTEMS ENGINEERS**  
 ROYAL RIVER CENTER, UNIT #10  
 10 FOREST FALLS DRIVE  
 YARMOUTH, MAINE 04096  
 VOICE: (207) 846-1441  
 FAX: (207) 846-1443  
 mechsys@maine.rr.com  
 © COPYRIGHT 2008



OWNER:  
 53 DANFORTH STREET, LP  
 C/O THE SZANTON COMPANY  
 ONE CITY CENTER - 4TH FLOOR  
 PORTLAND, ME 04101

ARCHETYPE, P.A.  
 ARCHITECTS  
 48 Union Wharf Portland, Maine 04101  
 (207) 772-6022 Fax (207) 772-4056

Project:  
 53 DANFORTH  
 53 DANFORTH STREET  
 PORTLAND, MAINE

Date:	28 MAY 2008	Scale:	AS NOTED
Revisions:	28 May 2008 - 50% MSHA Submittal		
	1 July 2008 - 90% MSHA Submittal		
	15 July 2008 - Pricing Set		
	25 July 2008 - 100% MSHA Submittal		

PROGRESS SET  
 MECHANICAL PLANS  
 5th FLOOR & ROOF  
 DUCTWORK

**M1.06**