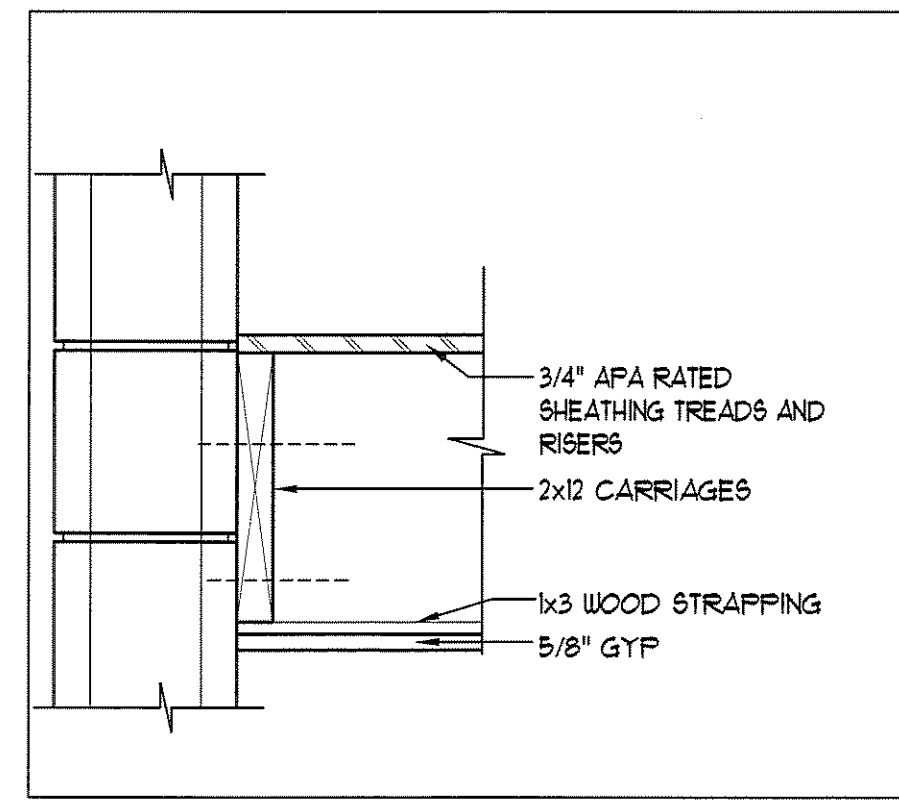
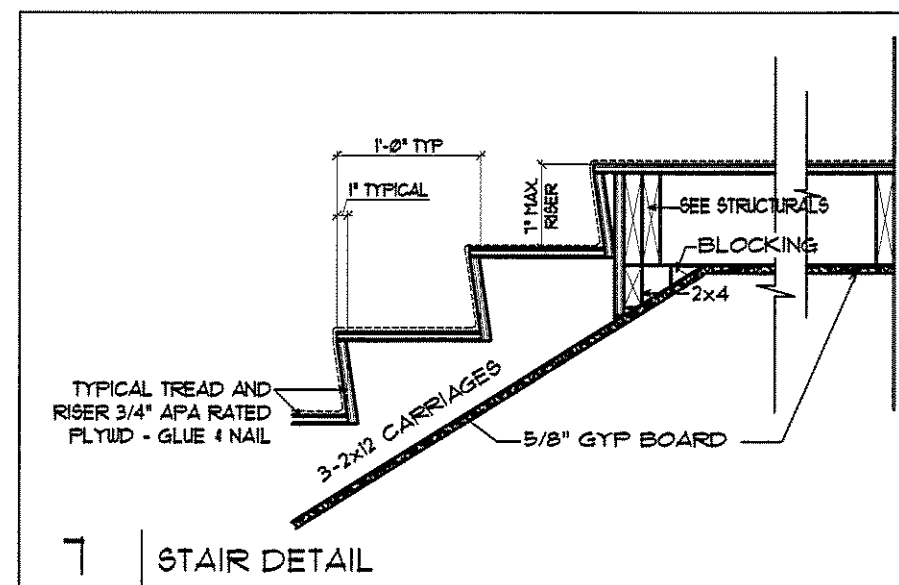


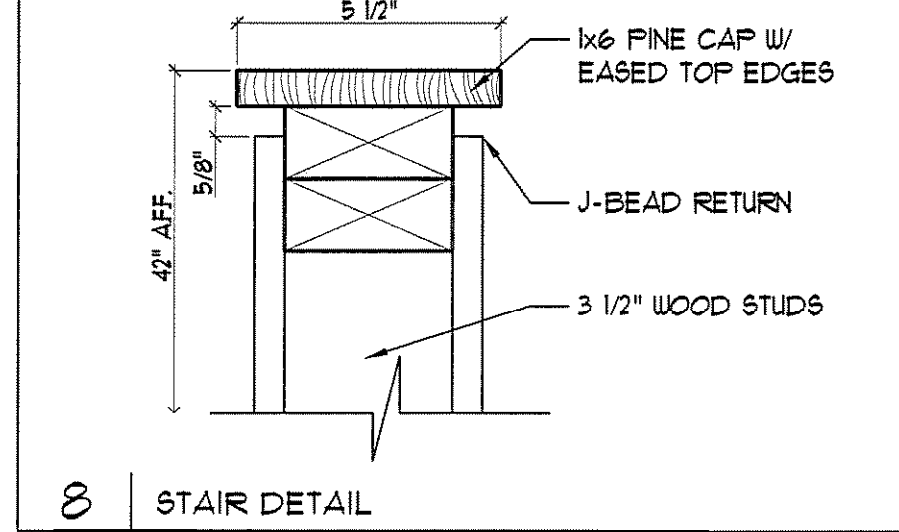
GENERAL NOTES:
 1. FINISH FLOORING IN STAIRWELLS TO BE CARPET
 2. ALL CONCRETE BLOCK PAINTED FINISH TO MATCH GYP



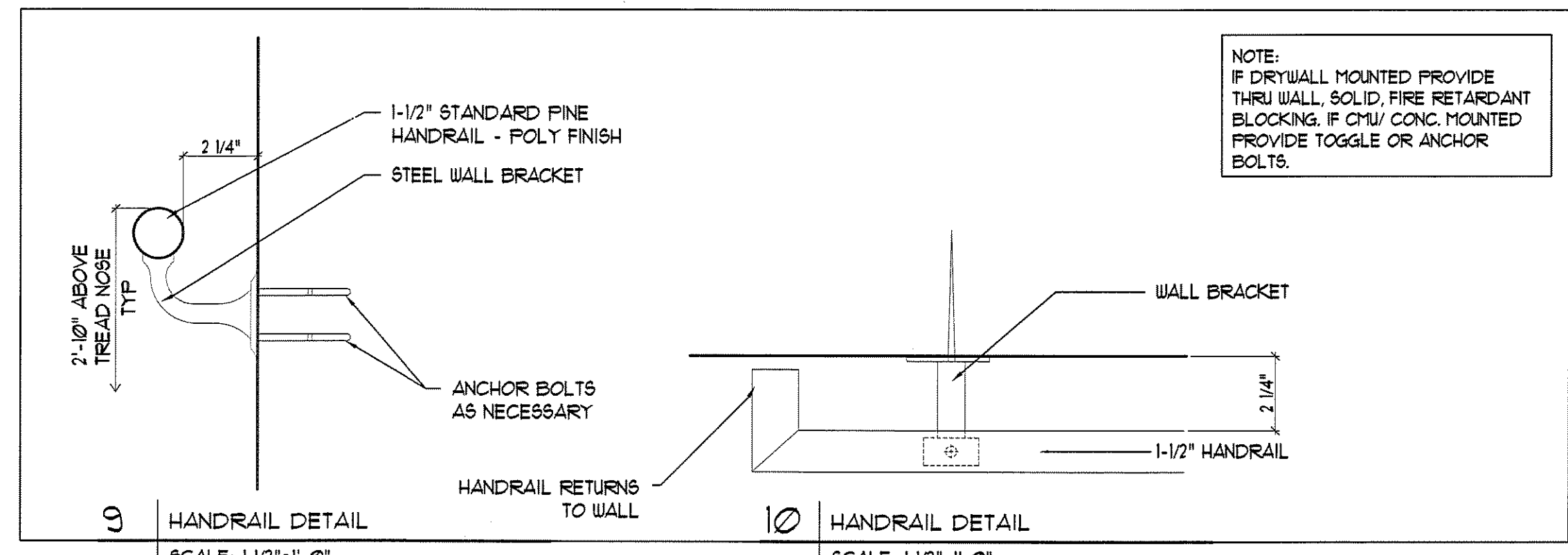
6 STAIR DETAIL
SCALE: 1 1/2"=1'-0"



7 STAIR DETAIL
SCALE: 3/4"=1'-0"



8 STAIR DETAIL
SCALE: 3"=1'-0"

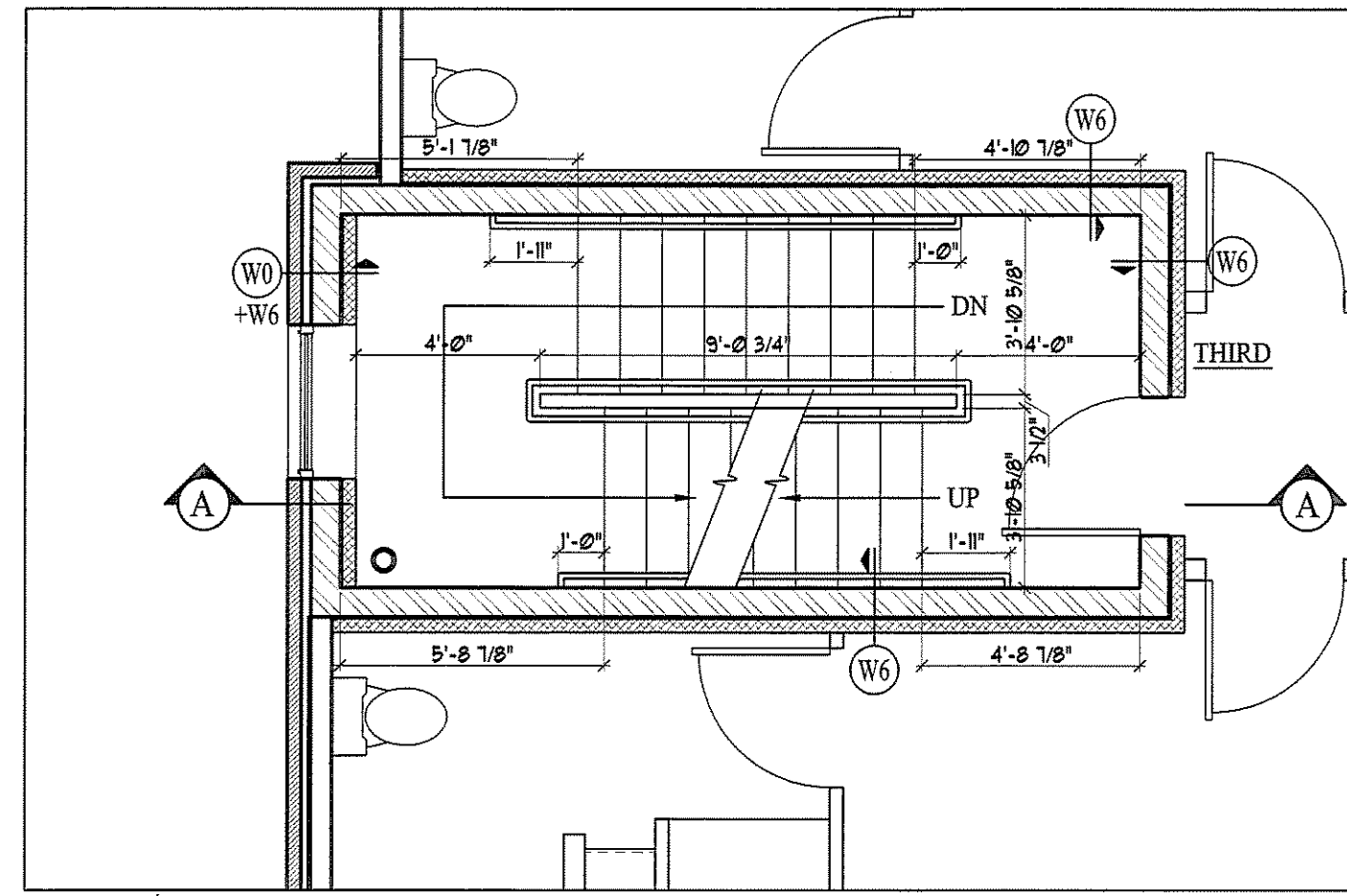


9 HANDRAIL DETAIL
SCALE: 1 1/2"=1'-0"

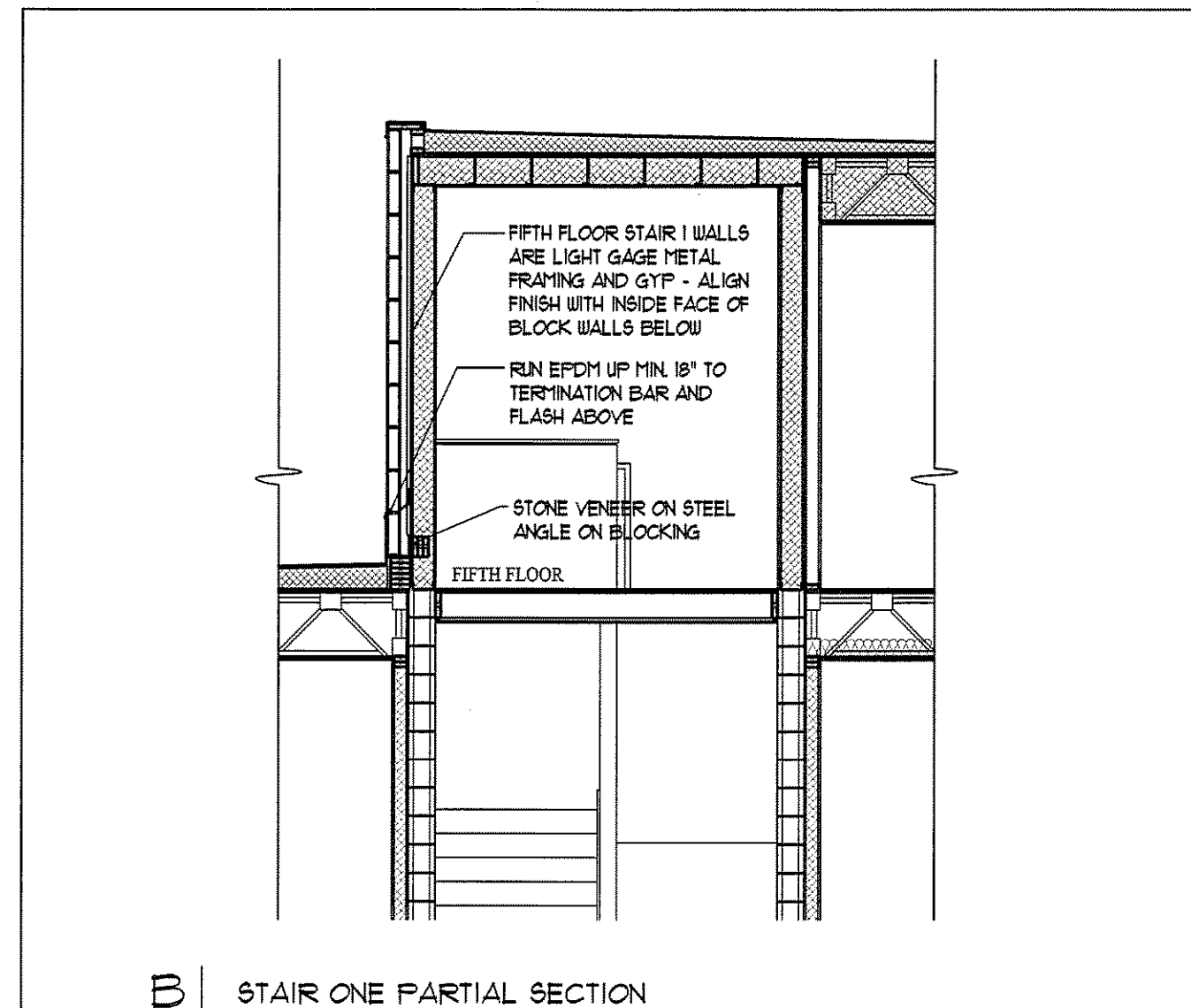


10 HANDRAIL DETAIL
SCALE: 1 1/2"=1'-0"

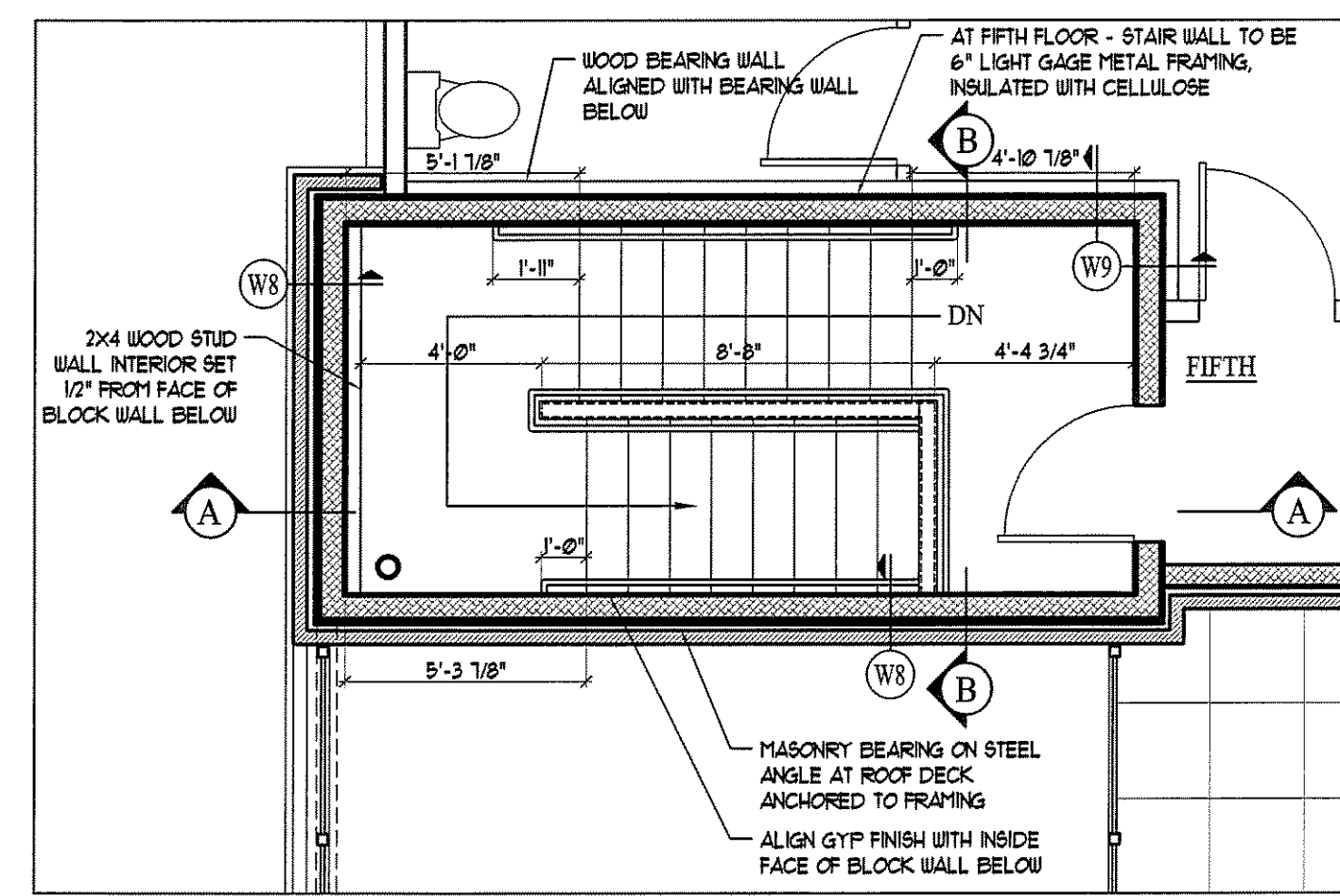
NOTE:
IF DRYWALL MOUNTED PROVIDE THRU WALL, SOLID, FIRE RETARDANT BLOCKING. IF CMU/ CONC. MOUNTED PROVIDE TOGGLE OR ANCHOR BOLTS.



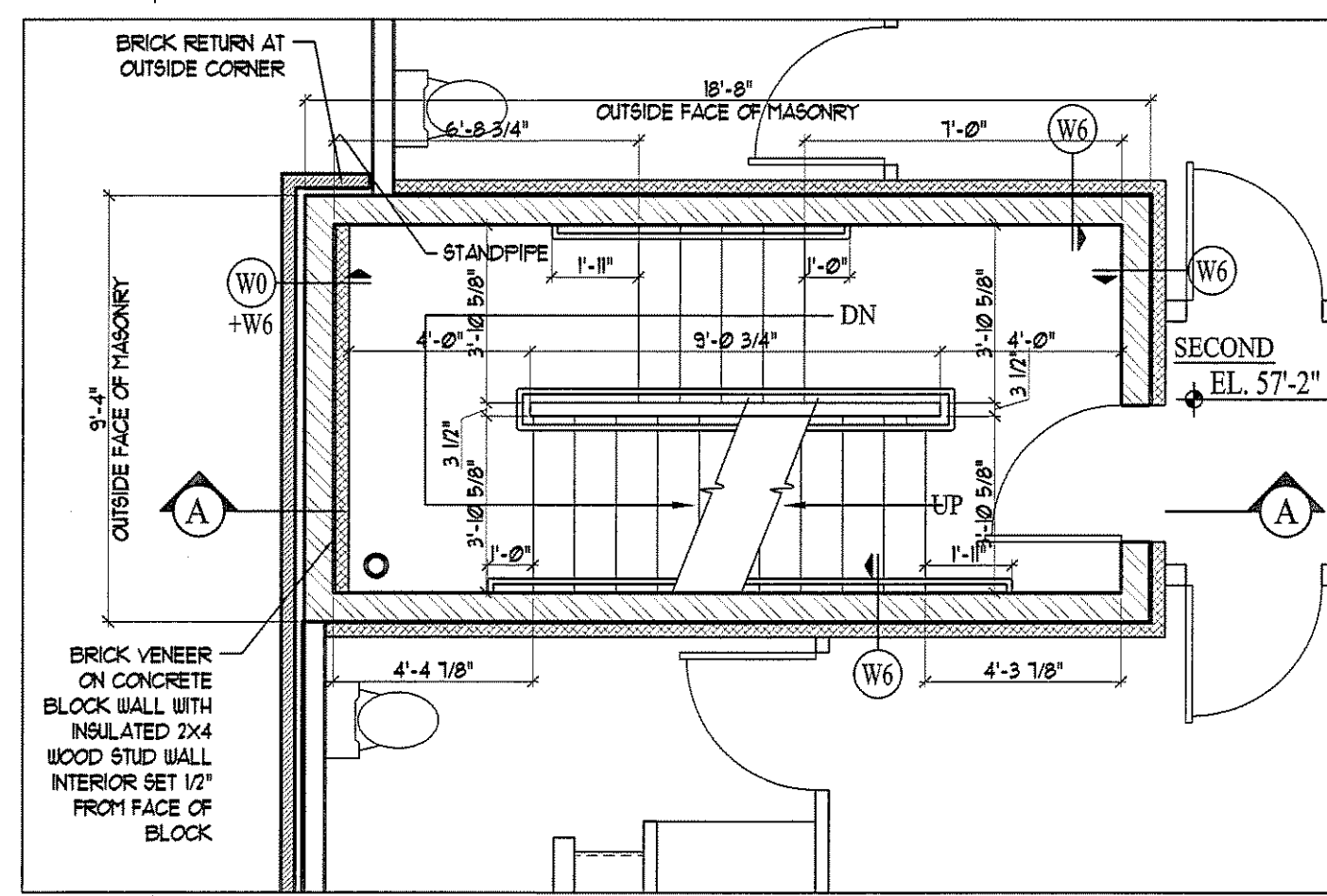
3 THIRD FLOOR PLAN
SCALE: 1/4"=1'-0"



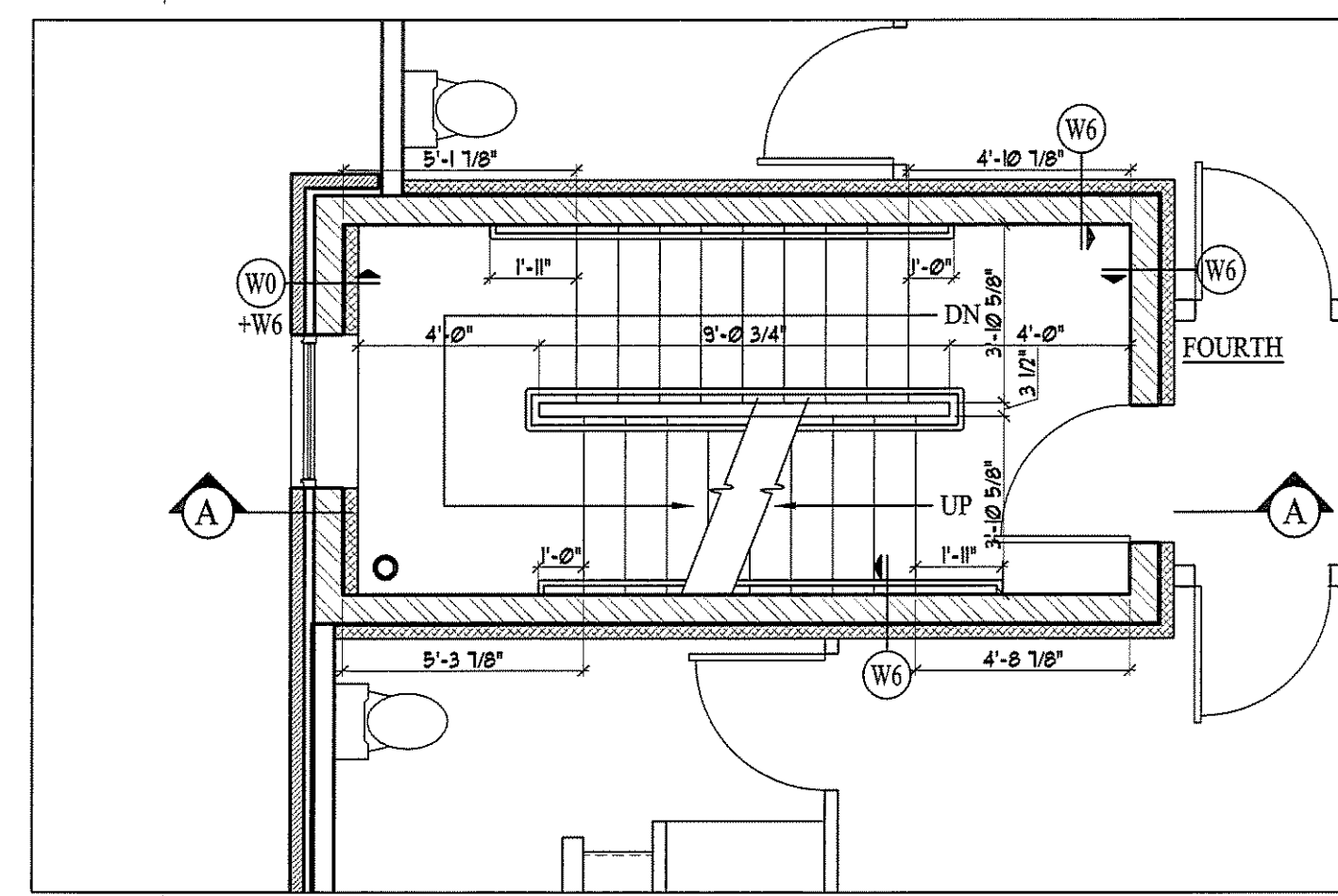
B STAIR ONE PARTIAL SECTION
SCALE: 1/4"=1'-0"



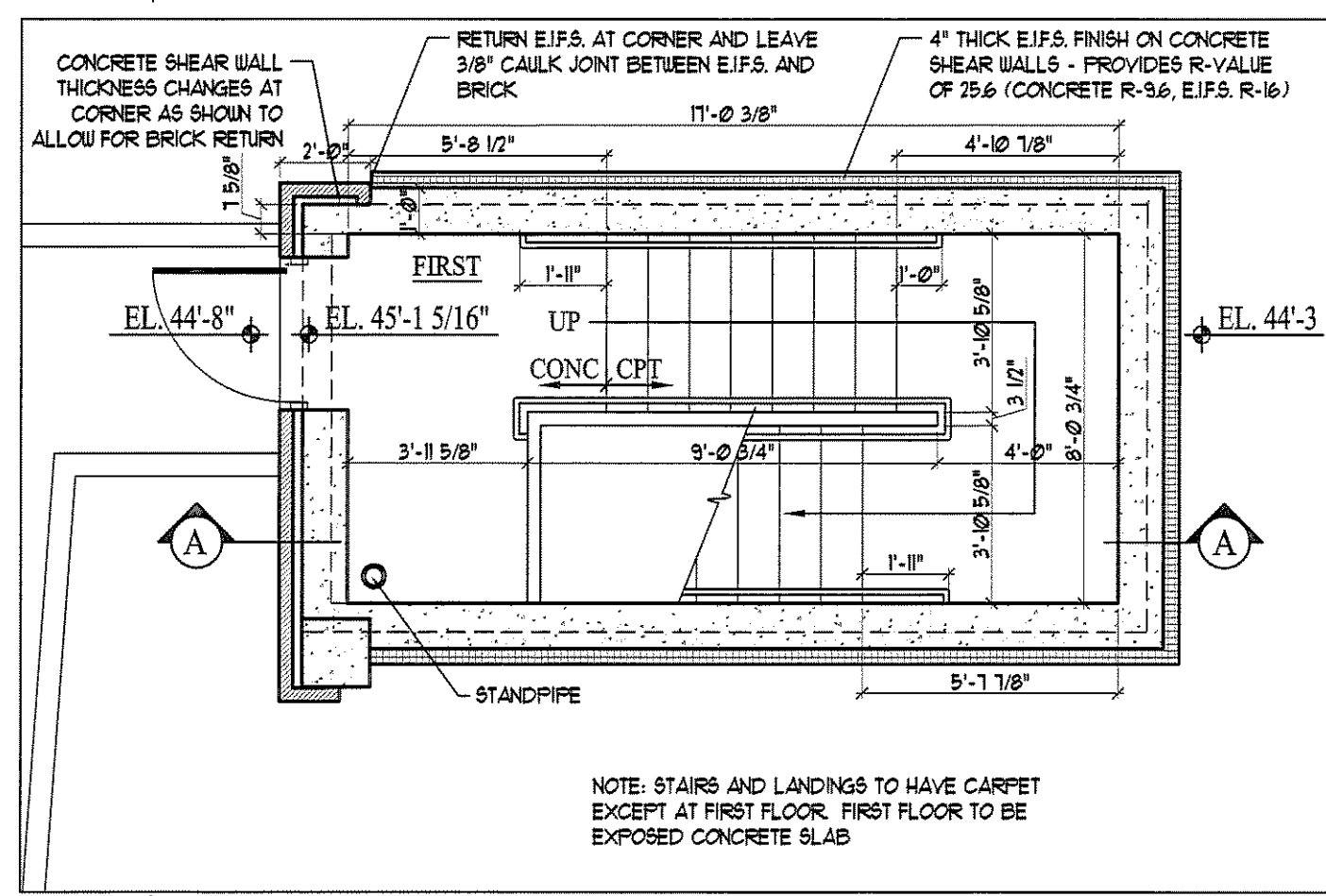
5 FIFTH FLOOR PLAN
SCALE: 1/4"=1'-0"



2 SECOND FLOOR PLAN
SCALE: 1/4"=1'-0"

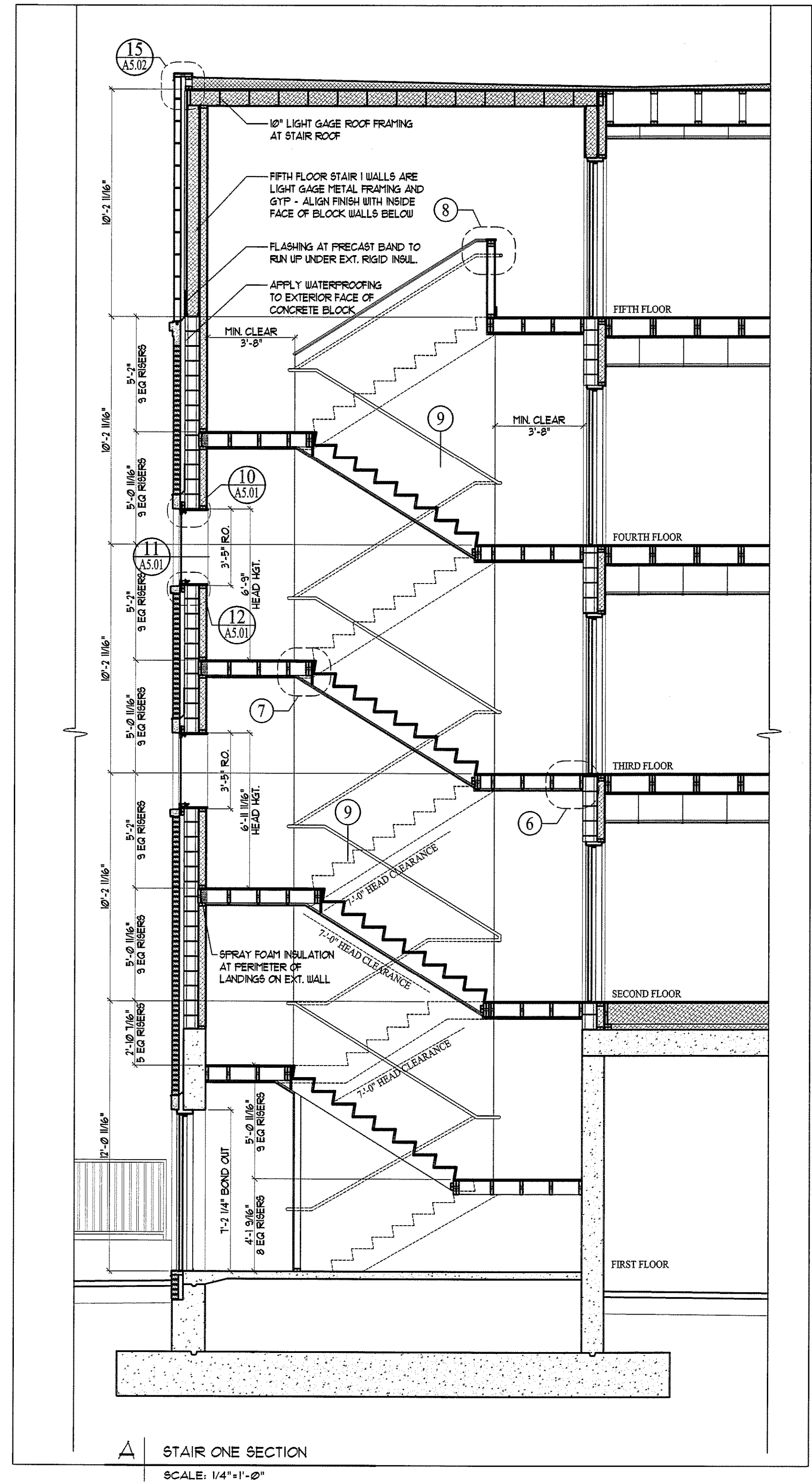


4 FOURTH FLOOR PLAN
SCALE: 1/4"=1'-0"

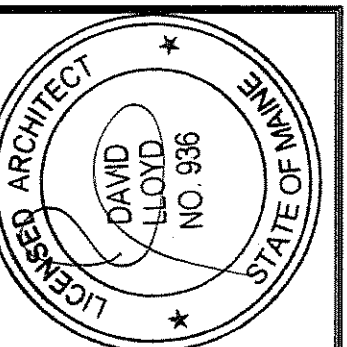


1 FIRST FLOOR PLAN
SCALE: 1/4"=1'-0"

NOTE: STAIRS AND LANDINGS TO HAVE CARPET EXCEPT AT FIRST FLOOR. FIRST FLOOR TO BE EXPOSED CONCRETE SLAB



A STAIR ONE SECTION
SCALE: 1/4"=1'-0"



OWNER:
53 DANFORTH STREET, LP
C/O THE SZANTON COMPANY
PORTLAND, ME 04101

ARCHETYPE, P.A.
ARCHITECTS
48 Union Wharf Portland, Maine 04101
(207) 772-6022 Fax (207) 772-4056

Project:
53 DANFORTH
53 DANFORTH STREET
PORTLAND, MAINE

Revisions:
28 May 2008 - 50% MSHA Submittal
1 July 2008 - 90% MSHA Submittal
15 July 2008 - Pricing Set
25 July 2008 - 100% MSHA Submittal

Date: 28 May 2008
Scale: VARIES
STAIR ONE PLANS,
SECTIONS, AND DETAILS

A3.11