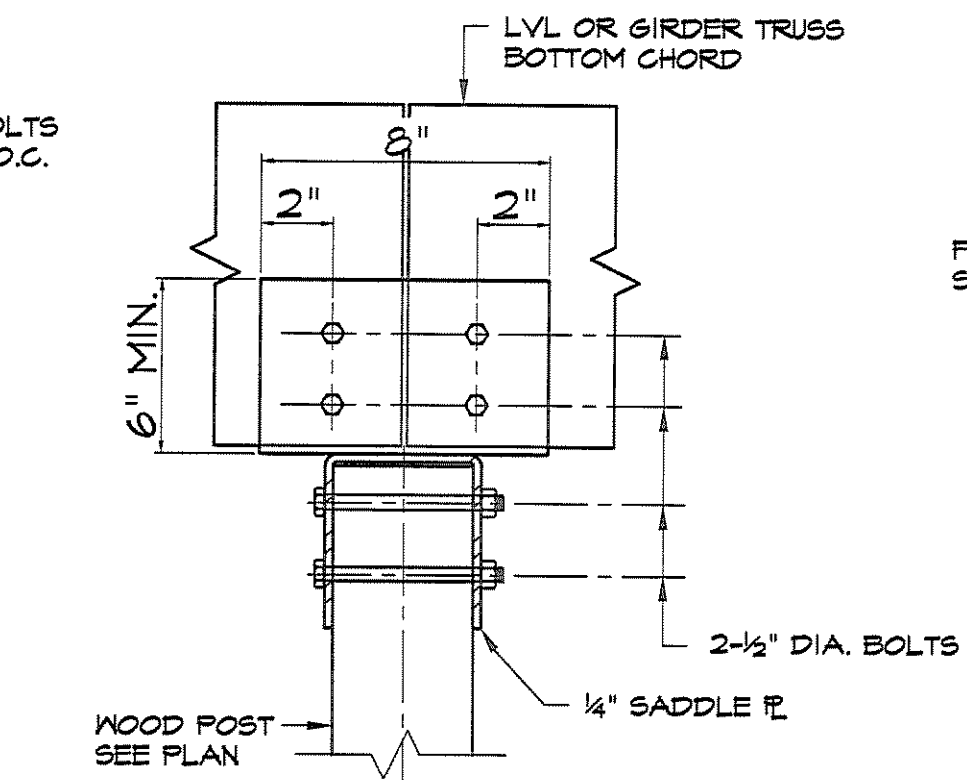
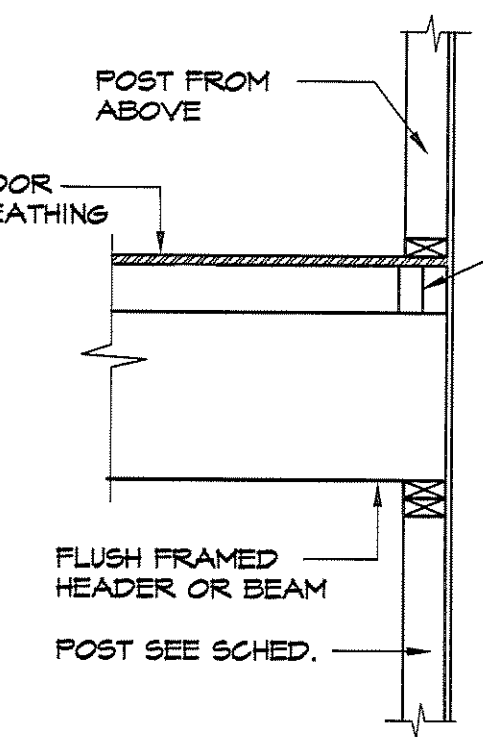


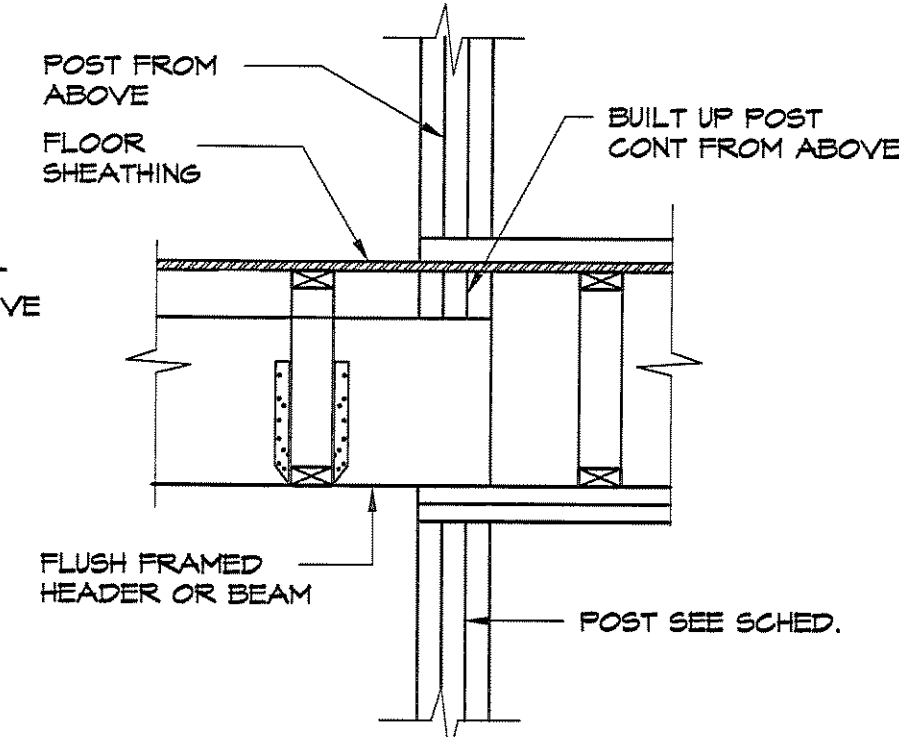
TYPICAL MULTIPLE PLY LVL BEAM DETAIL



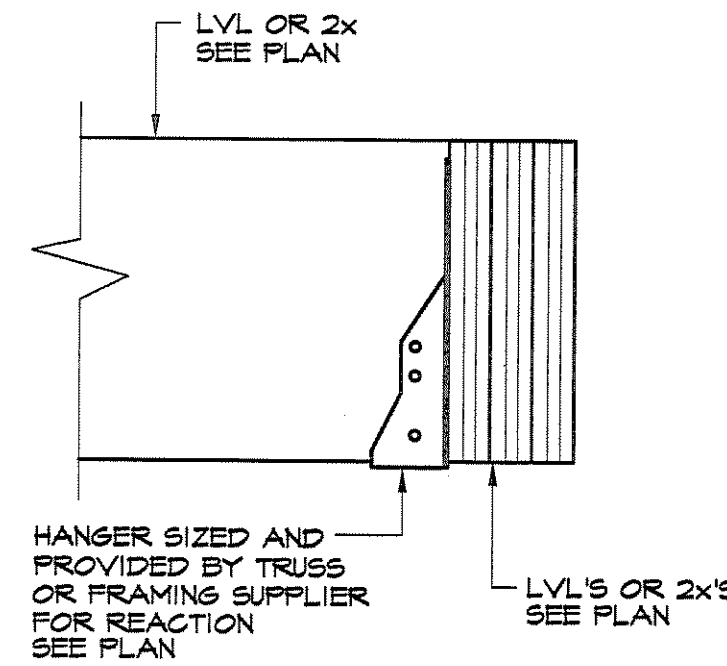
TYPICAL WOOD POST TO LVL/GIRDER TRUSS DETAIL



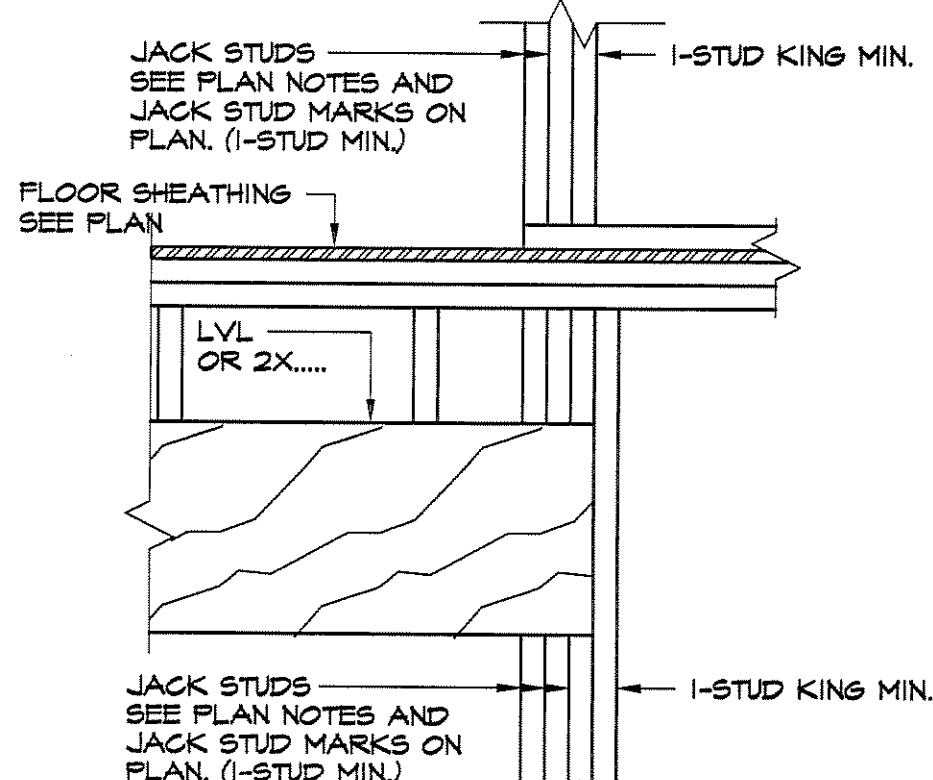
POST IN WALL



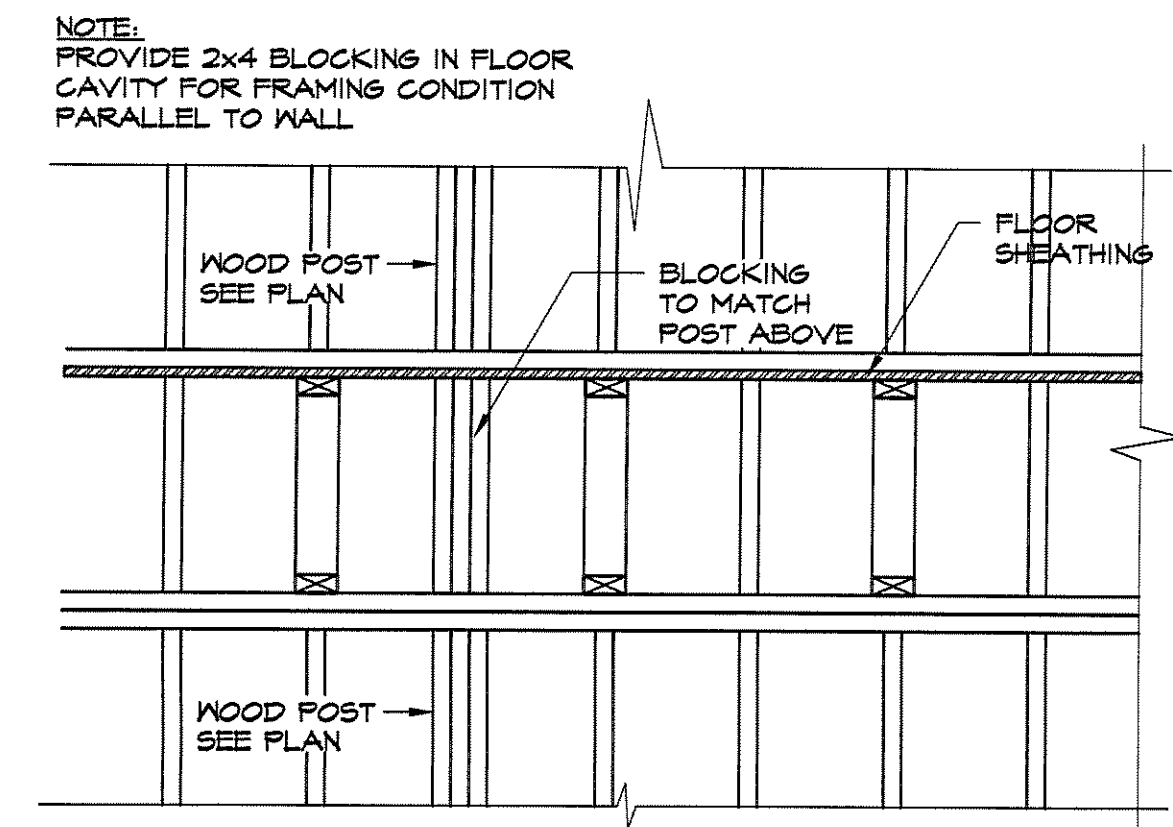
POST AT END OF WALL



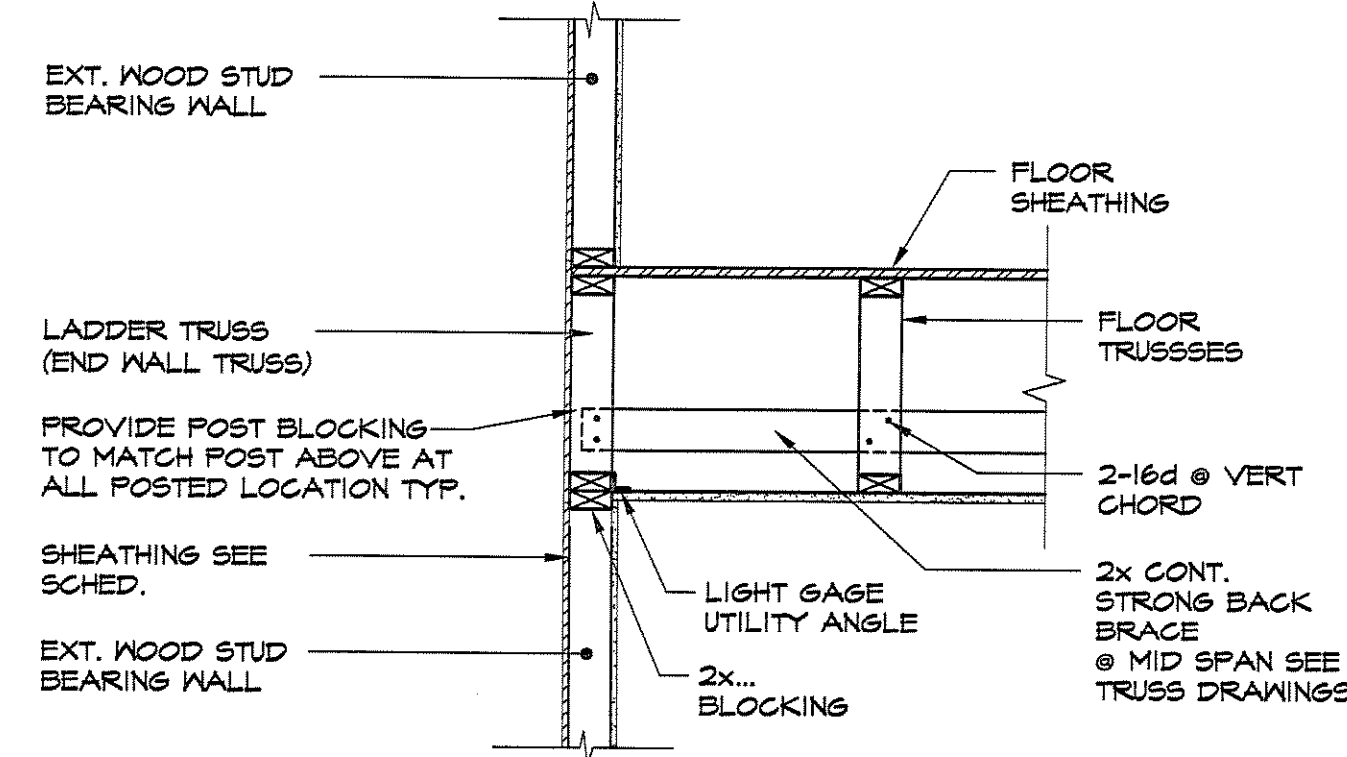
LVL OR 2x HANGER DETAIL



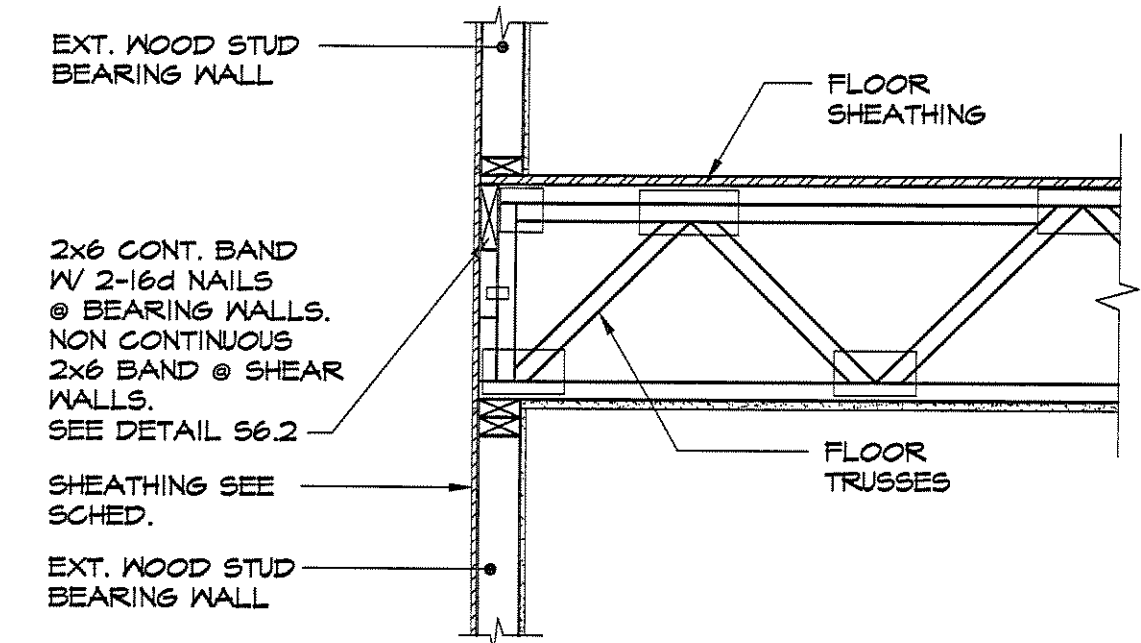
TYPICAL JACK STUD DETAIL



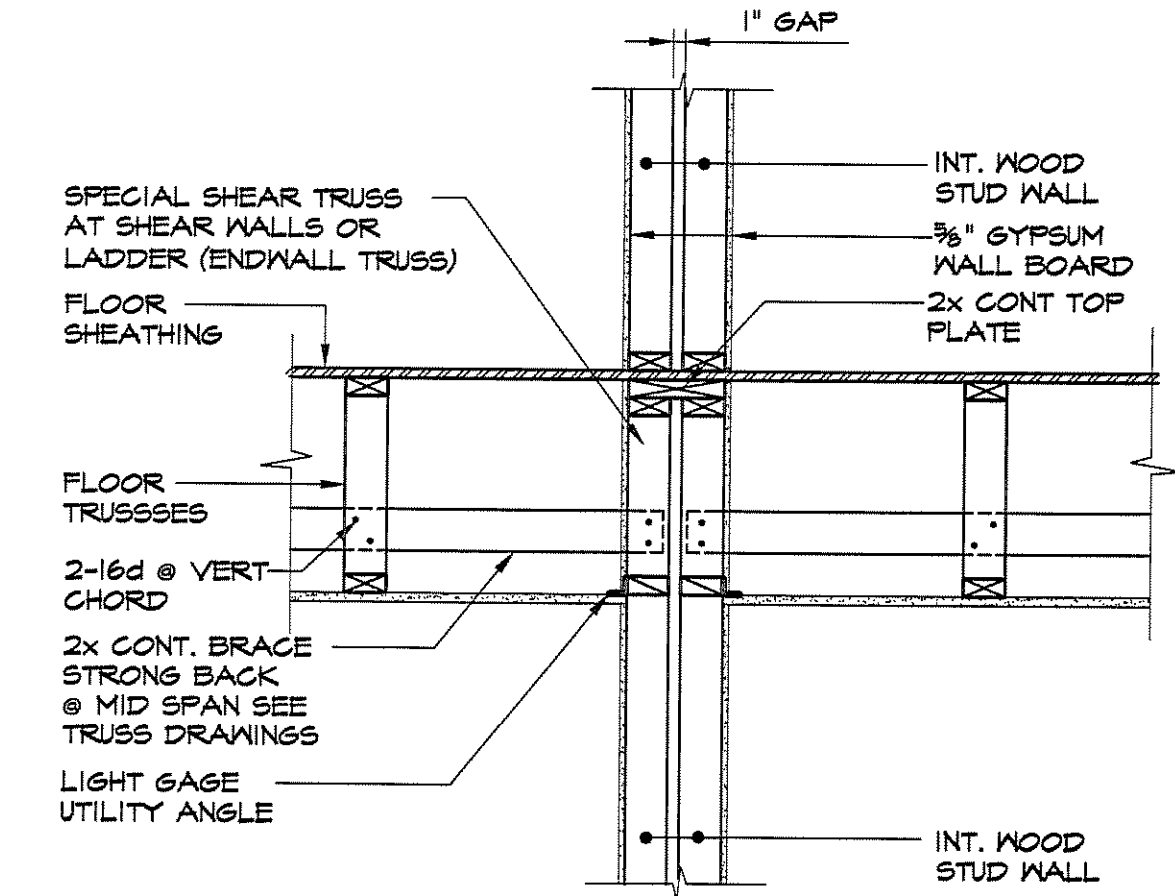
TYPICAL WOOD POST THROUGH FLOOR TRUSSES



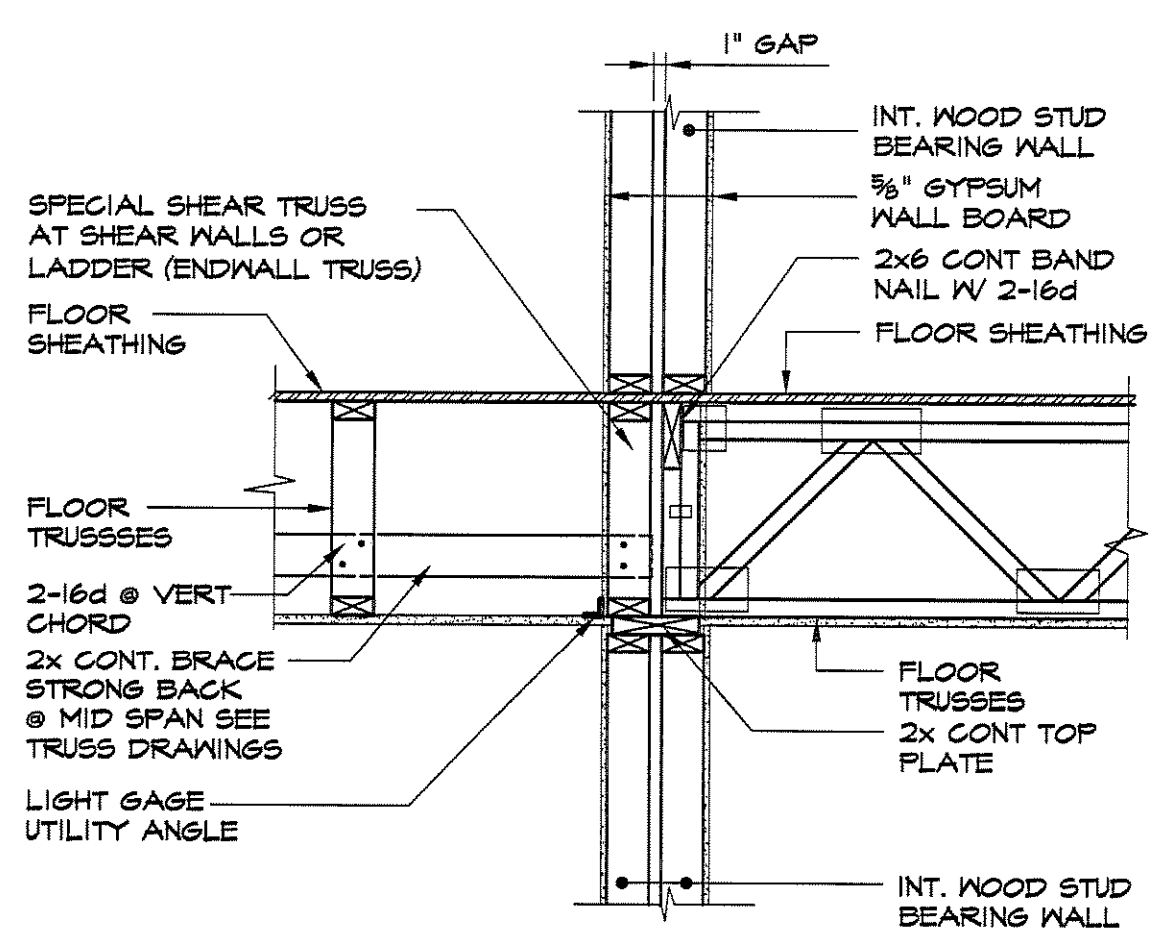
SECTION 1
3/4" = 1'-0" (S5.0)



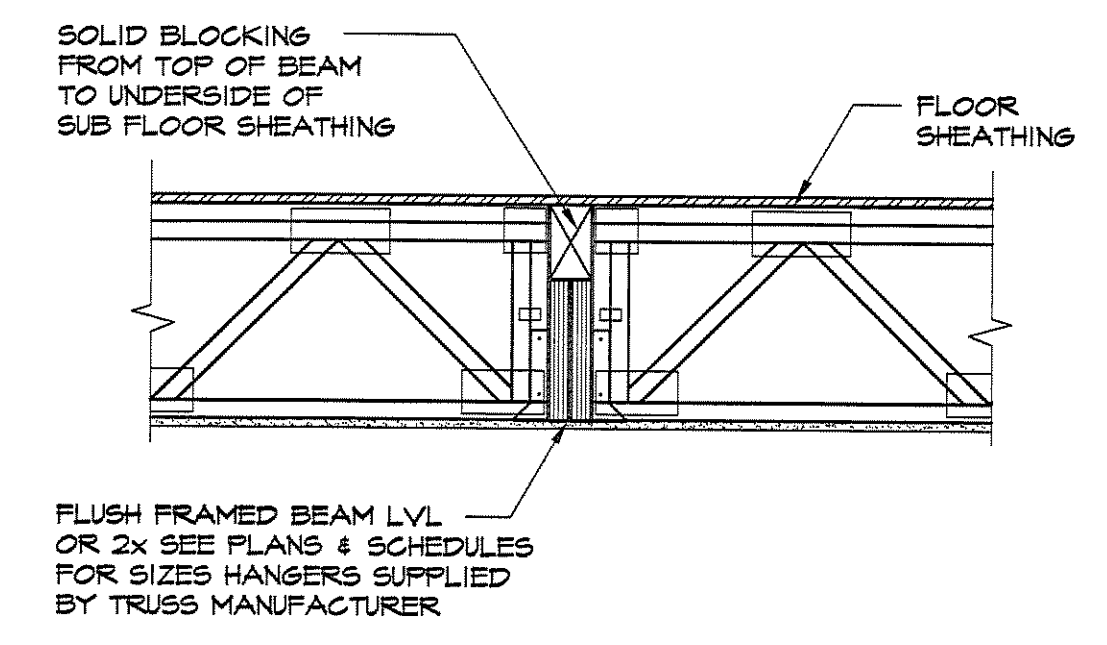
SECTION 2
3/4" = 1'-0" (S5.0)



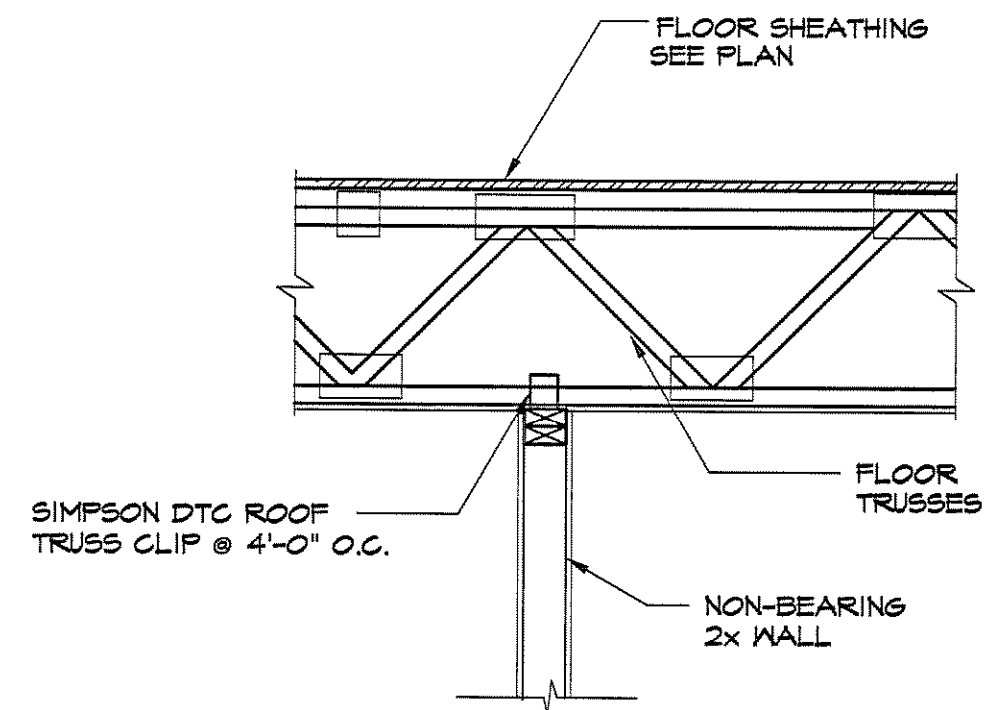
SECTION 3
3/4" = 1'-0" (S5.0)



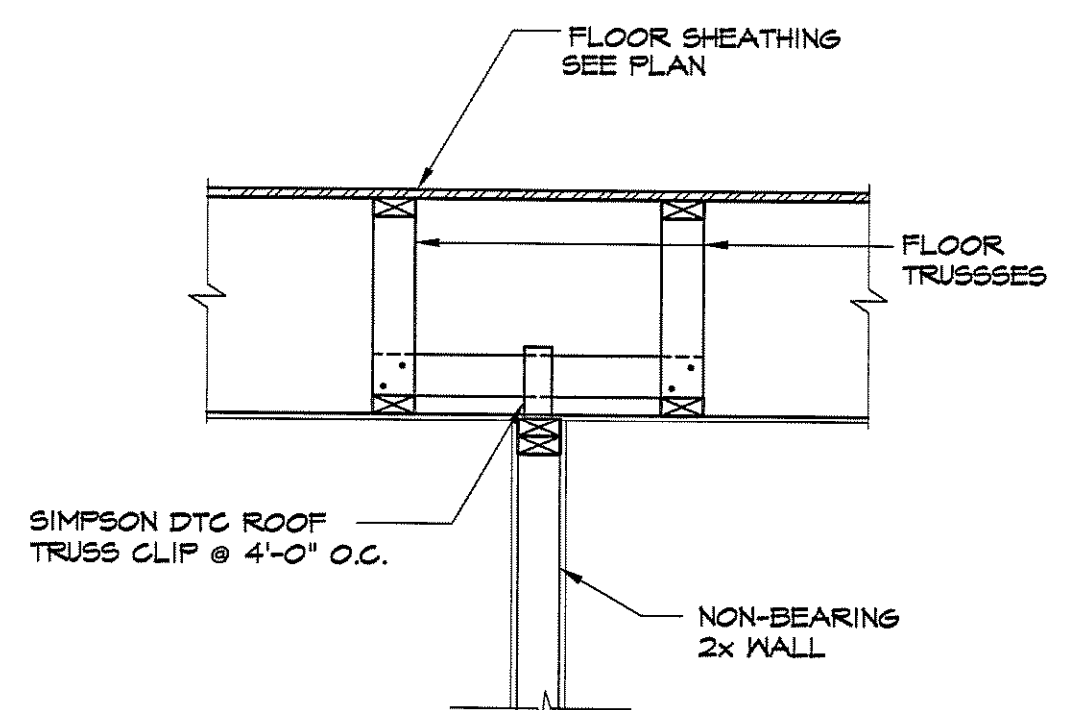
SECTION 4
3/4" = 1'-0" (S5.0)



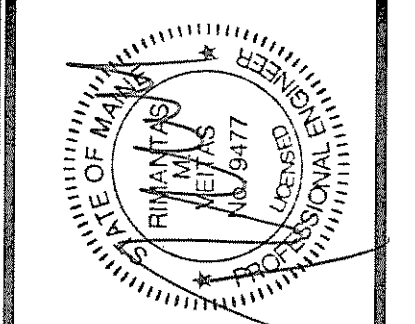
SECTION 5
3/4" = 1'-0" (S5.0)



SECTION 6
3/4" = 1'-0" (S5.0)



SECTION 7
3/4" = 1'-0" (S5.0)



OWNER:
53 DANFORTH STREET, LP
C/O THE SZANTON COMPANY
ONE CITY CENTER - 4TH FLOOR
PORTLAND, ME 04101

ARCHETYPE, P.A.
ARCHITECTS
48 Union Wharf Portland, Maine 04101
(207) 772-6022 Fax (207) 772-4056

53 DANFORTH
53 DANFORTH STREET
PORTLAND, MAINE

Project:

Revisions:	28 May 2008 - 50% MSHA Submittal
	01 July 2008 - 90% MSHA Submittal
	15 July 2008 - Pricing Set
	25 July 2008 - 100% MSHA Submittal

Date: 28 May 2008
Scale: 1/8" = 1'-0"
SECTIONS & DETAILS

VEITAS and VEITAS engineers

639 Granite Street, Suite 101
Braintree, Massachusetts 02184
TEL (781)843-2863 FAX (781)849-2065

S5.01