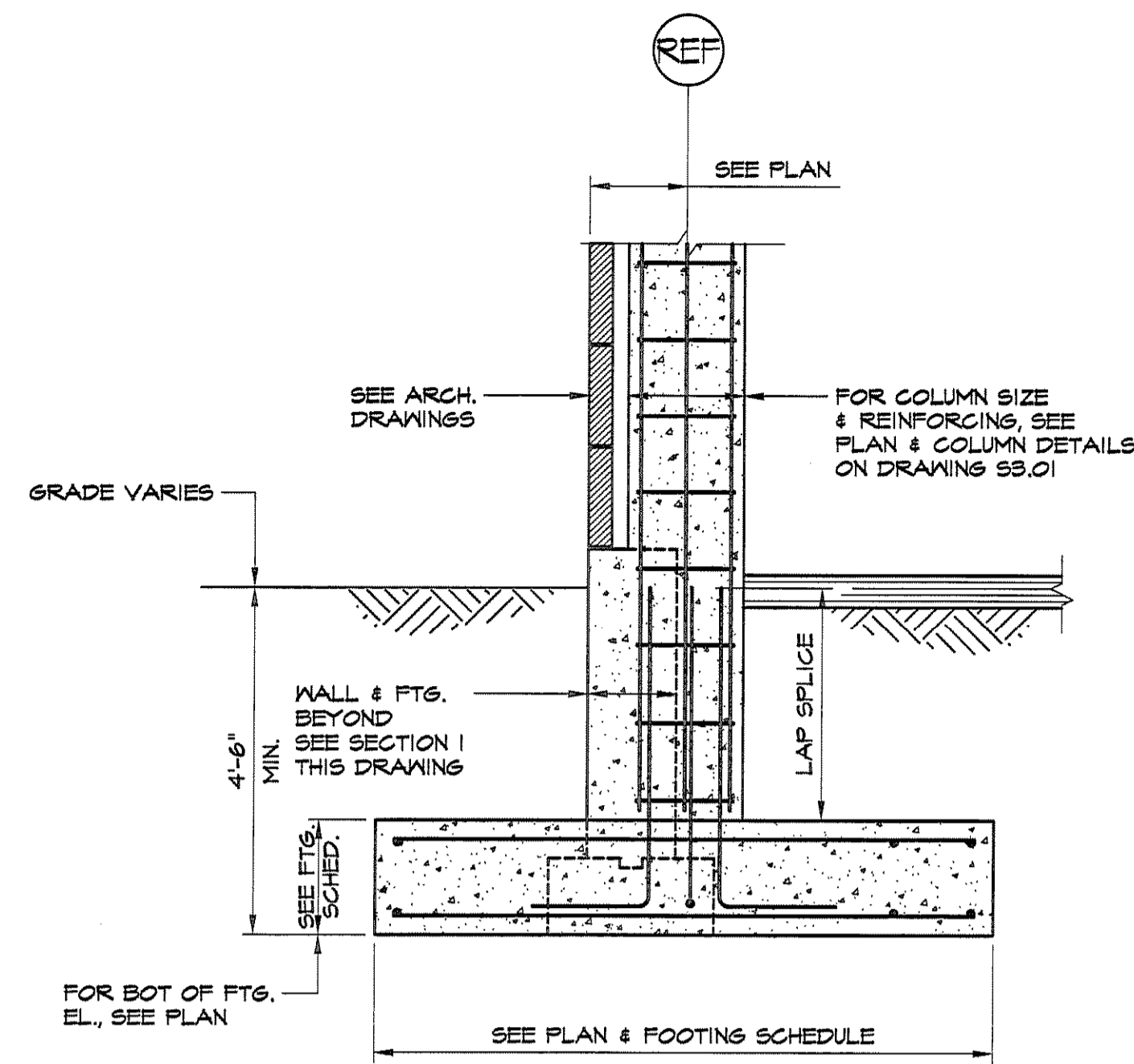
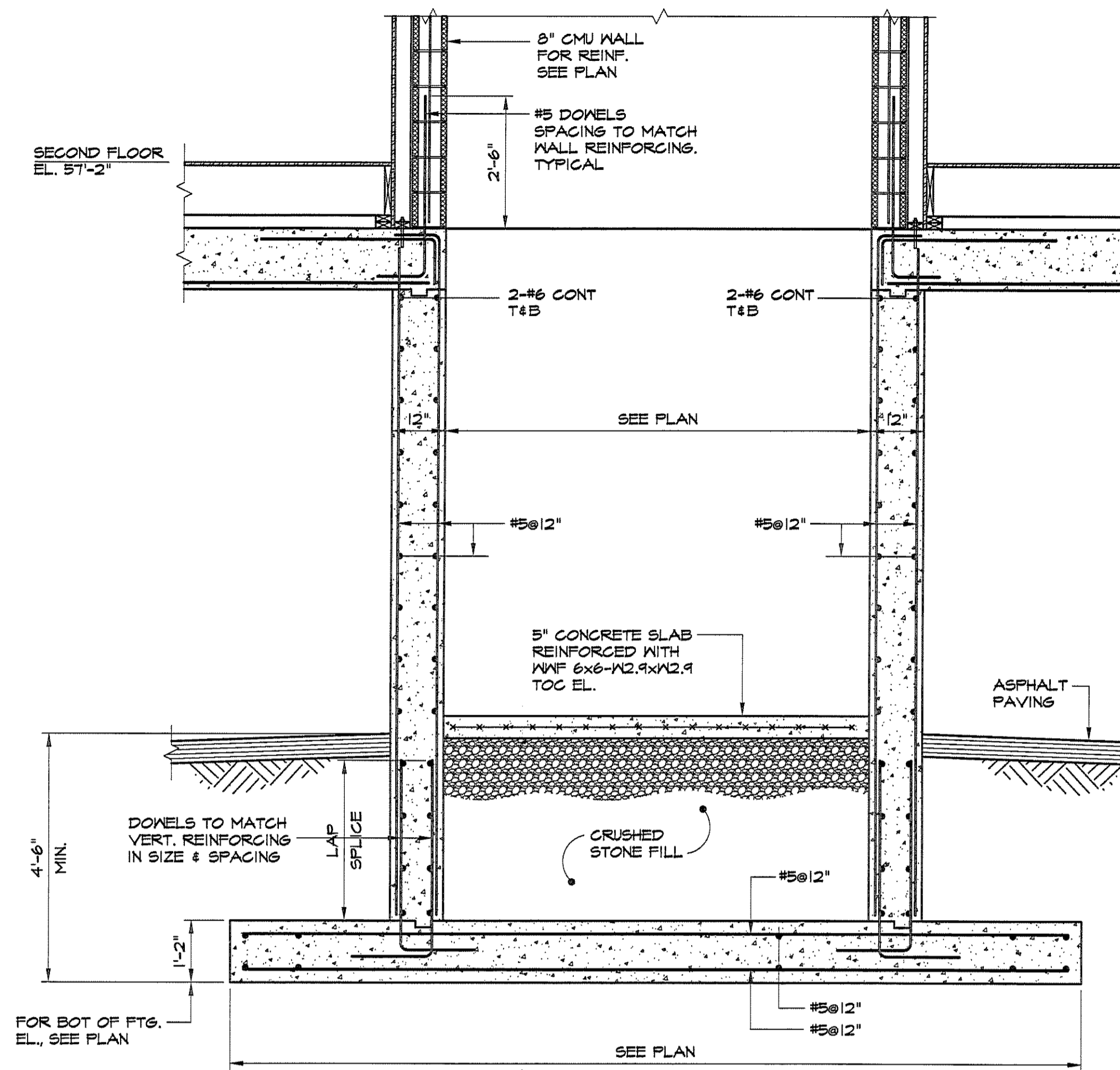


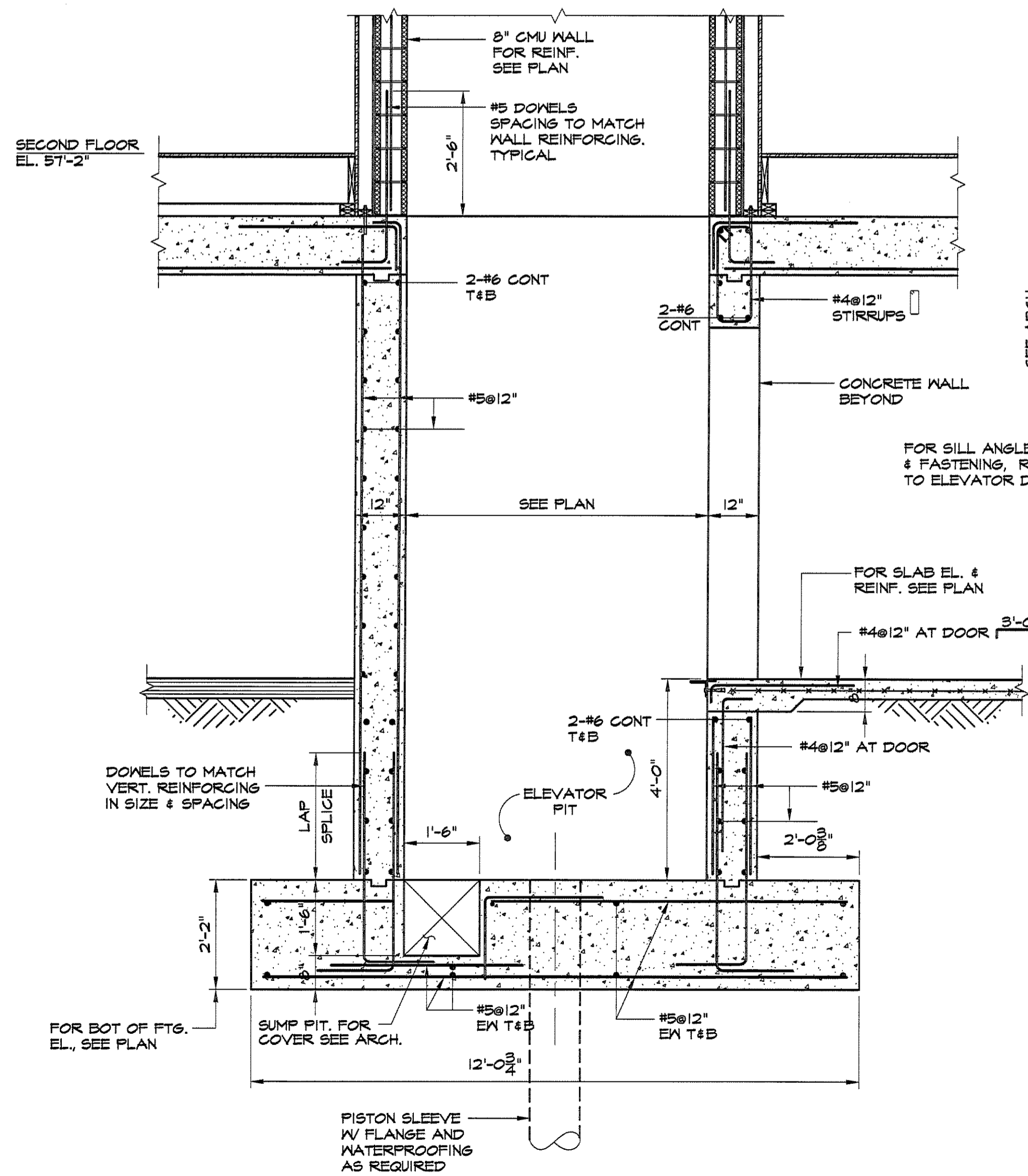
SECTION 1
1/2"=1'-0" 54.04



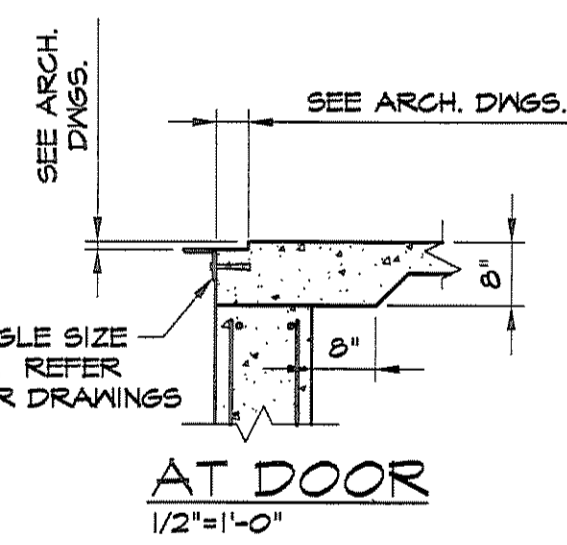
SECTION 2
1/2"=1'-0" 54.04



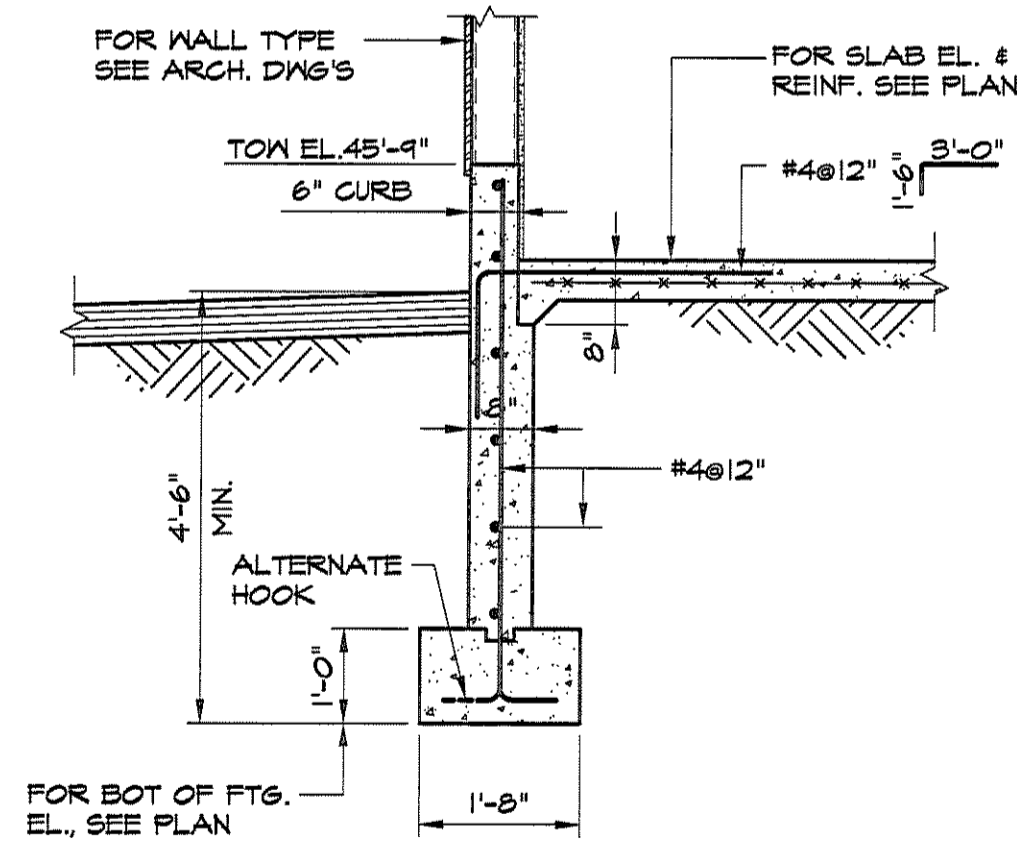
SECTION 3
1/2"=1'-0" 54.04



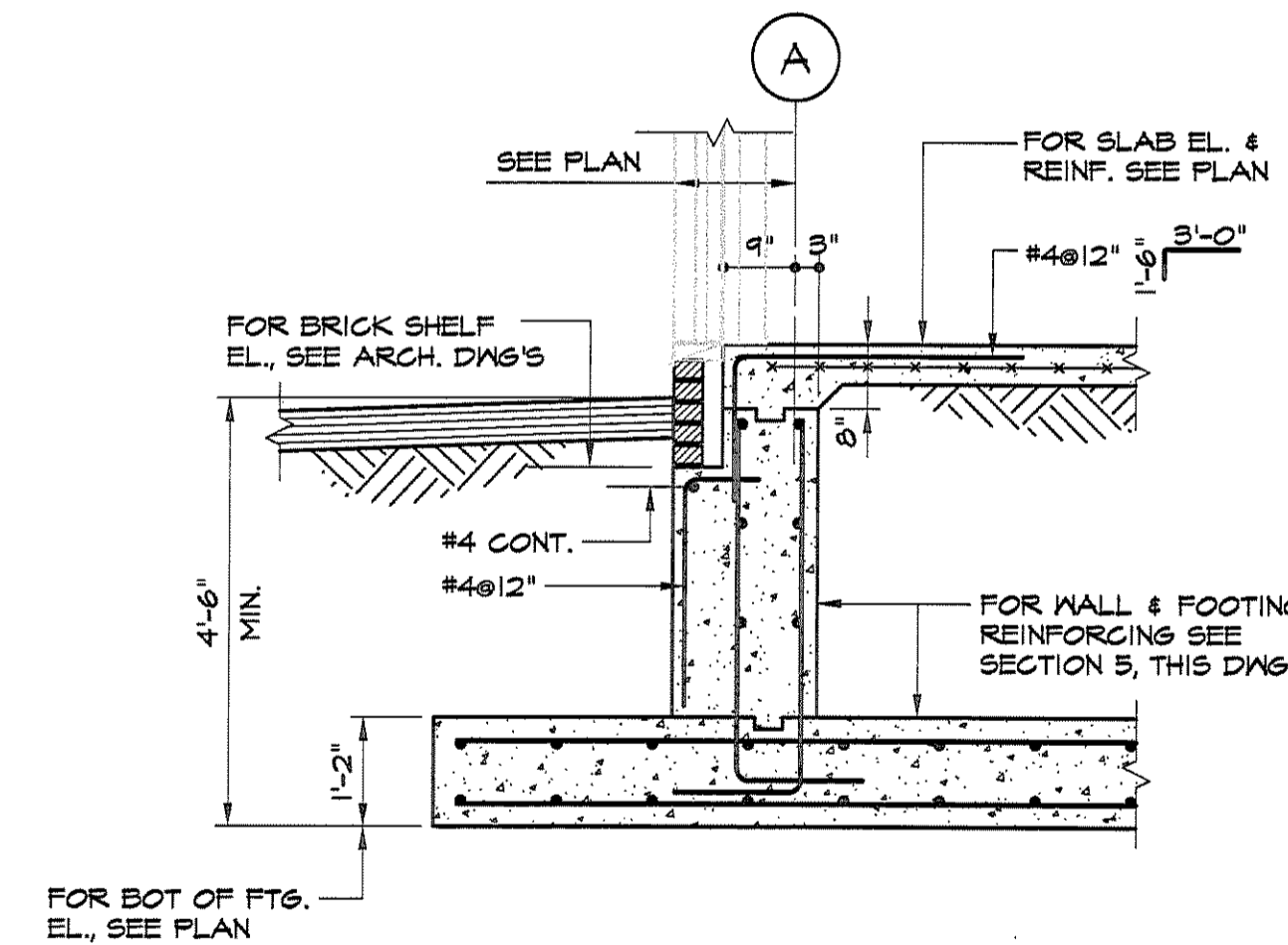
SECTION 4
1/2"=1'-0" 54.04



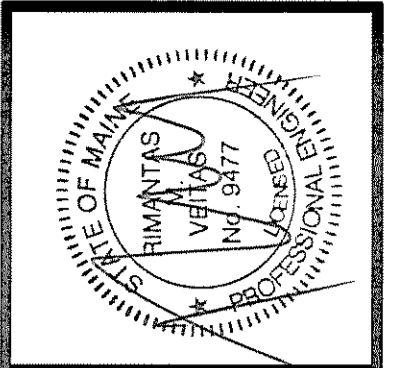
SECTION 5
1/2"=1'-0" 54.04



SECTION 6
1/2"=1'-0" 54.04



SECTION 7
1/2"=1'-0" 54.04



OWNER:
53 DANFORTH STREET, LP
C/O THE SZANTON COMPANY
ONE CITY CENTER - 4TH FLOOR
PORTLAND, ME 04101

ARCHETYPE, P.A.
ARCHITECTS
48 Union Wharf Portland, Maine 04101
(207) 772-6022 Fax (207) 772-4056

53 DANFORTH
53 DANFORTH STREET
PORTLAND, MAINE

Project

28 May 2008 - 50% MSHA Submittal
01 July 2008 - 90% MSHA Submittal
15 July 2008 - Pricing Set
25 July 2008 - 100% MSHA Submittal

Date 28 May 2008
Scale 1/8" = 1'-0"
SECTIONS & DETAILS