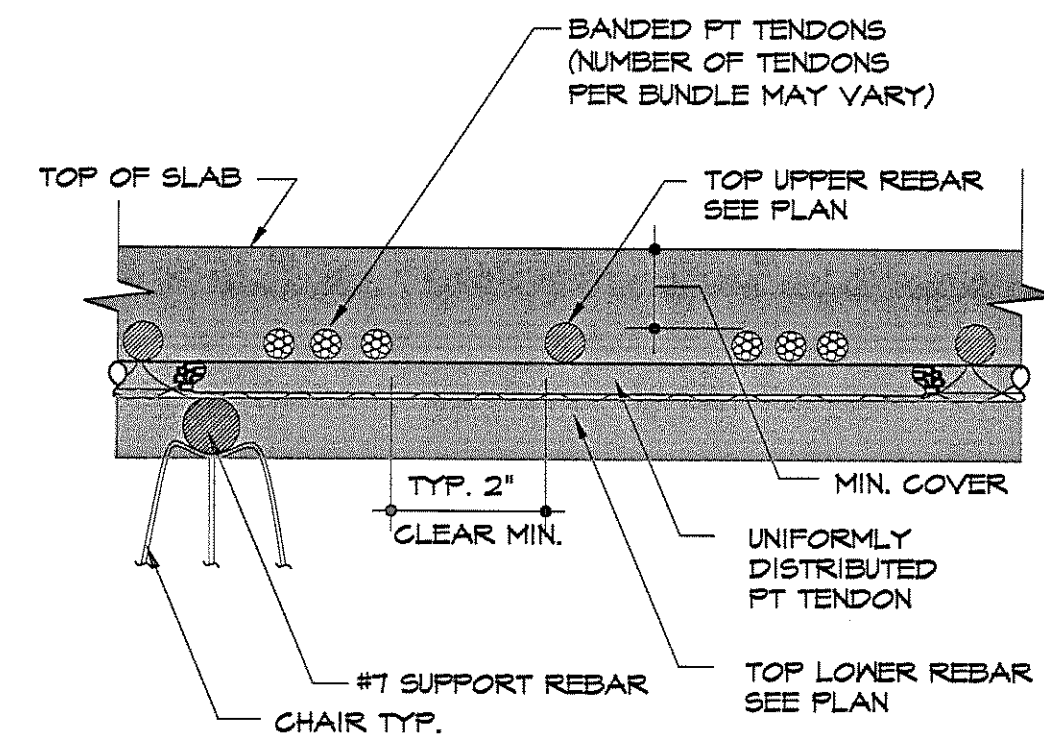
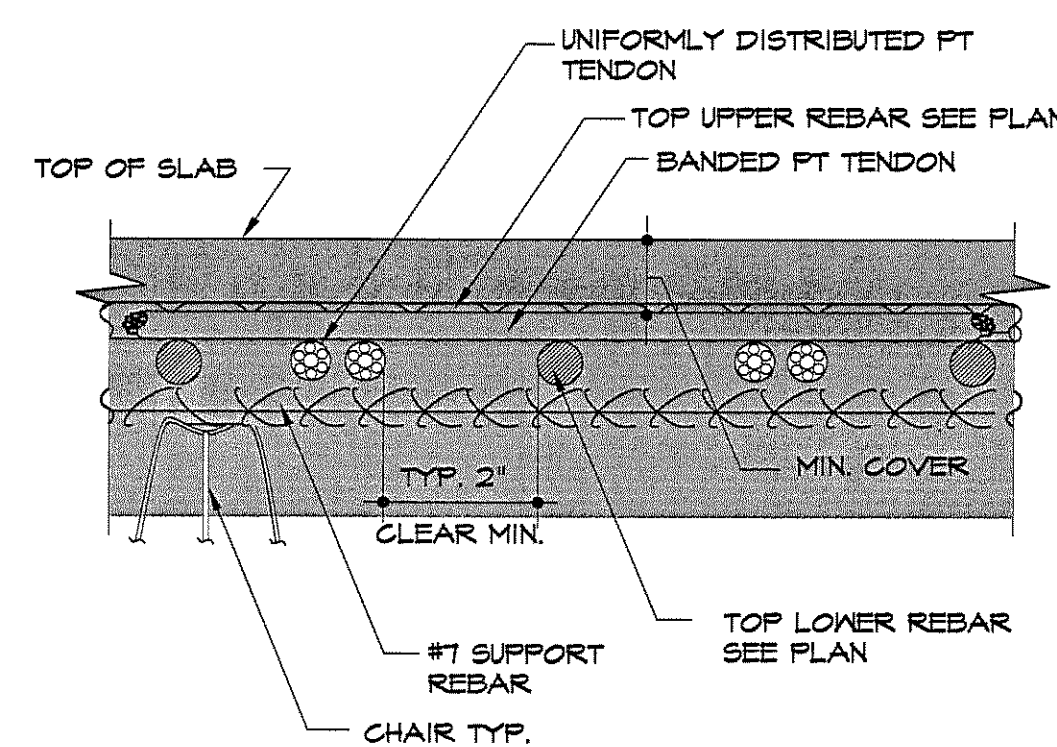


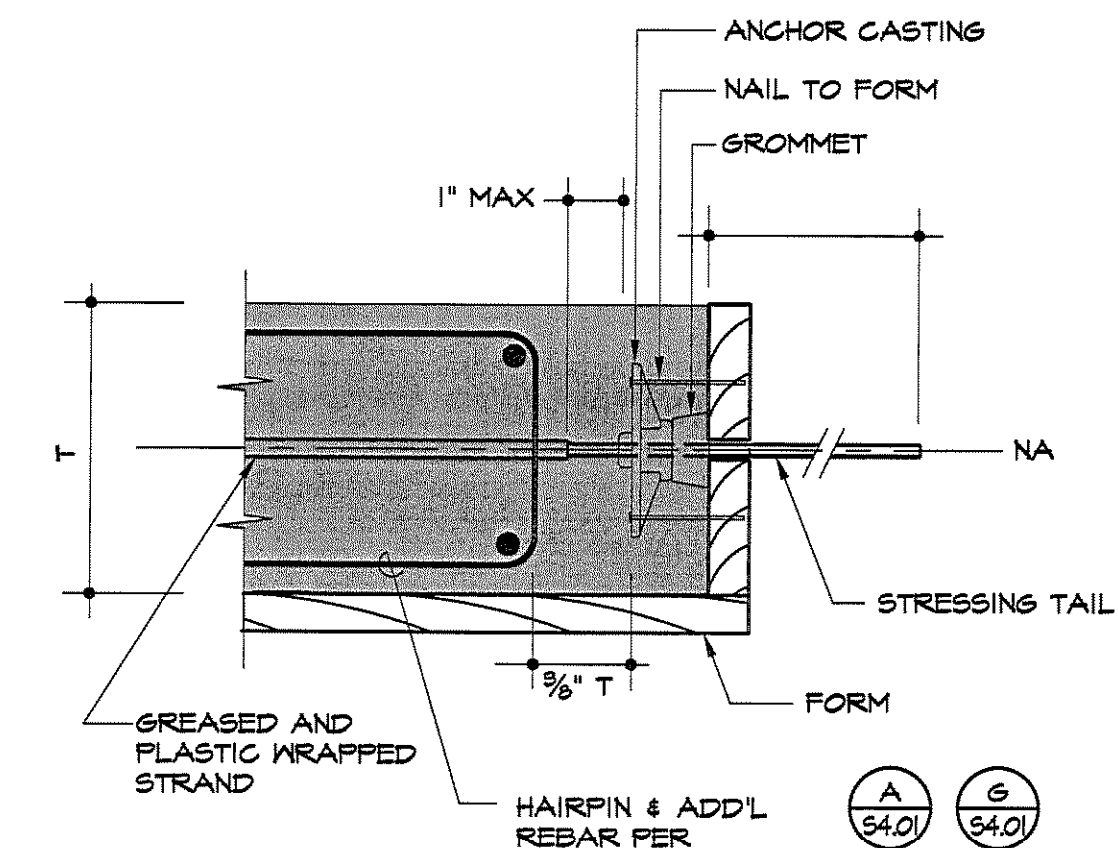
(A) TYPICAL DROP PANEL SECTION  
64.02



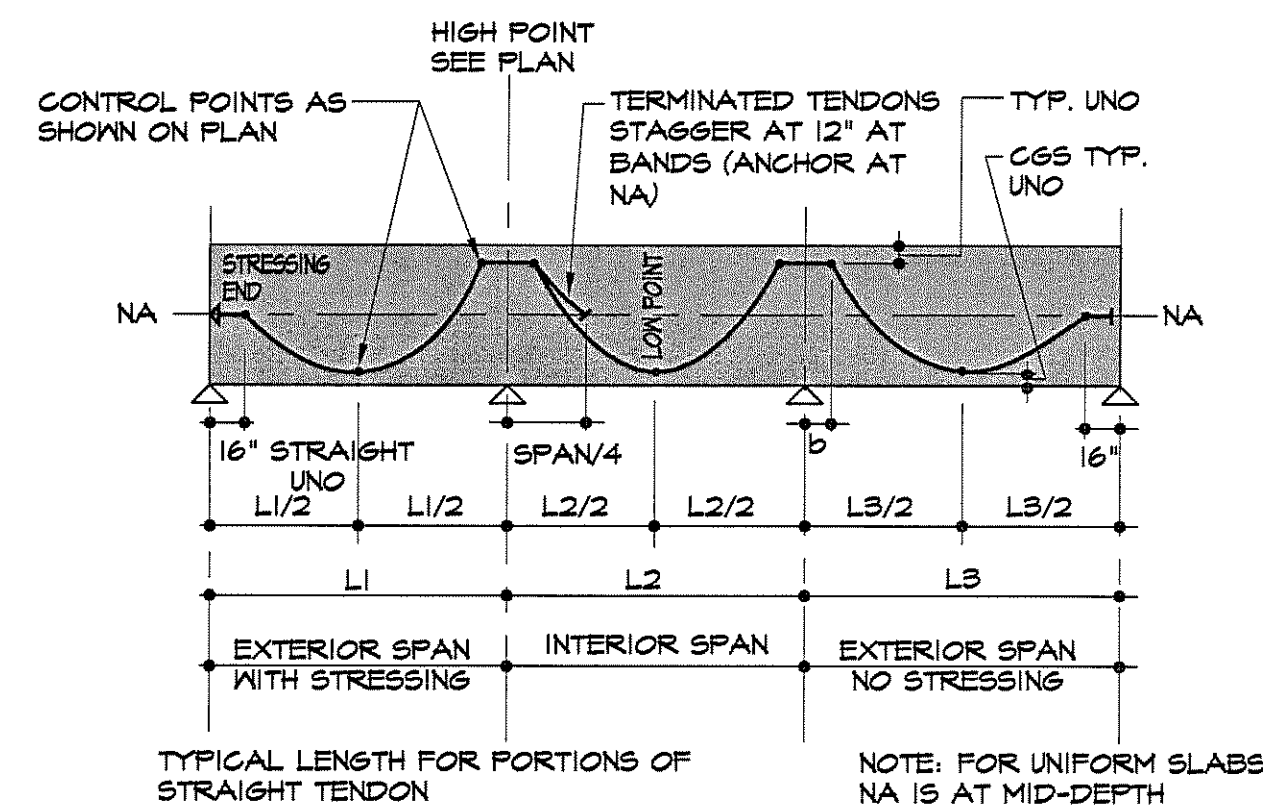
(B) SECTION THROUGH BANDED TENDON AT COLUMN  
64.02



(C) SECTION THROUGH DISTRIBUTED TENDON AT COLUMN  
64.02

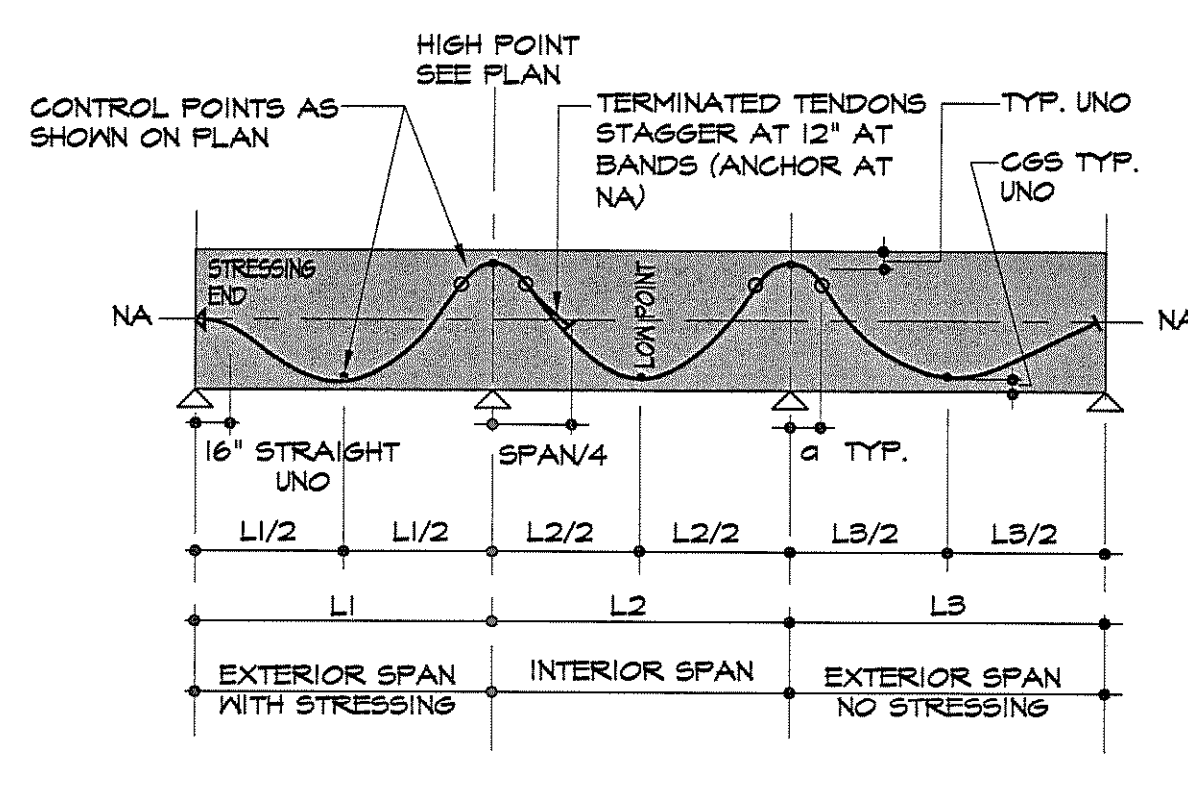


(D) STRESSING END ANCHOR FOR BANDED TENDONS  
64.02

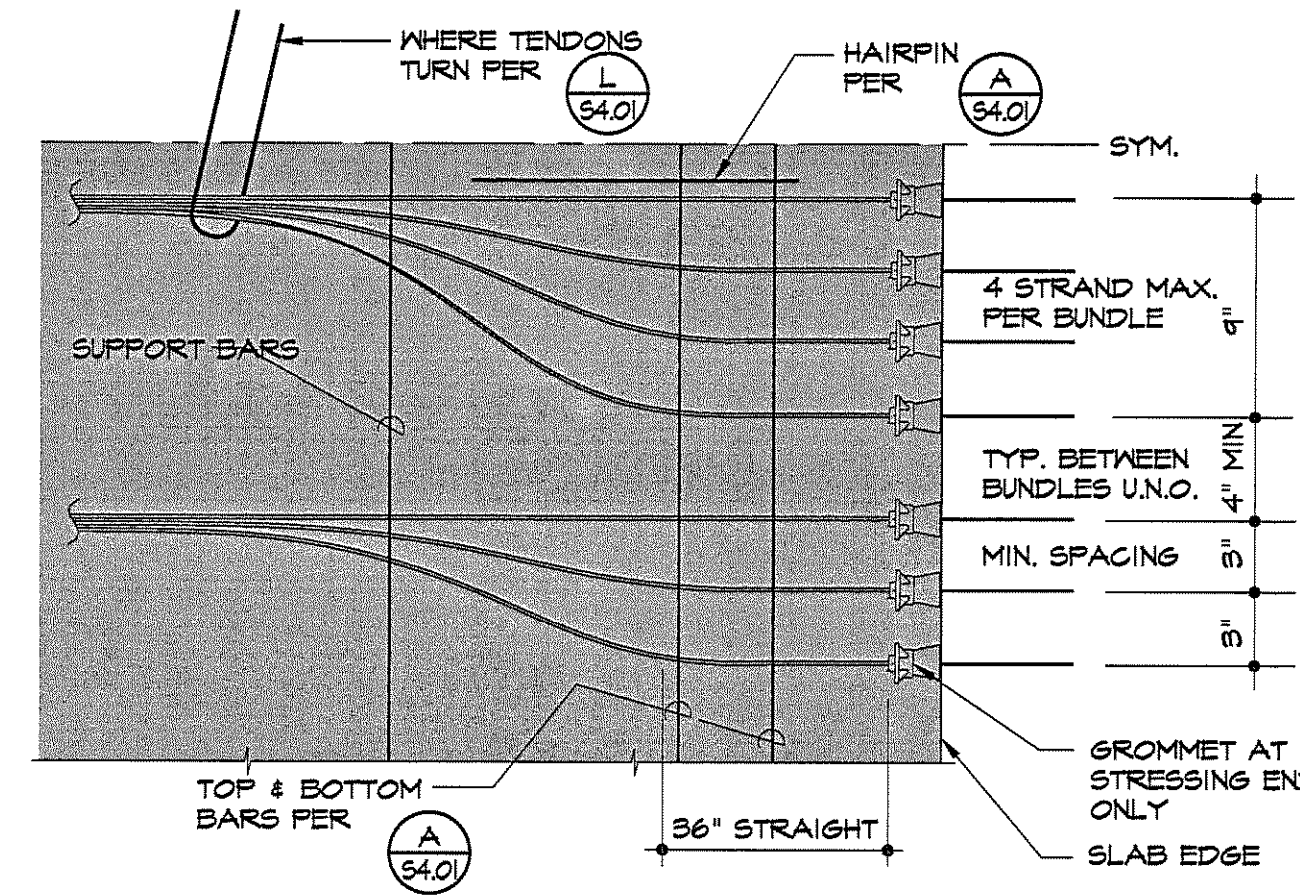


LOCATION	b (FEET)
OVER COLUMNS	0 2
OVER WALLS	0 1

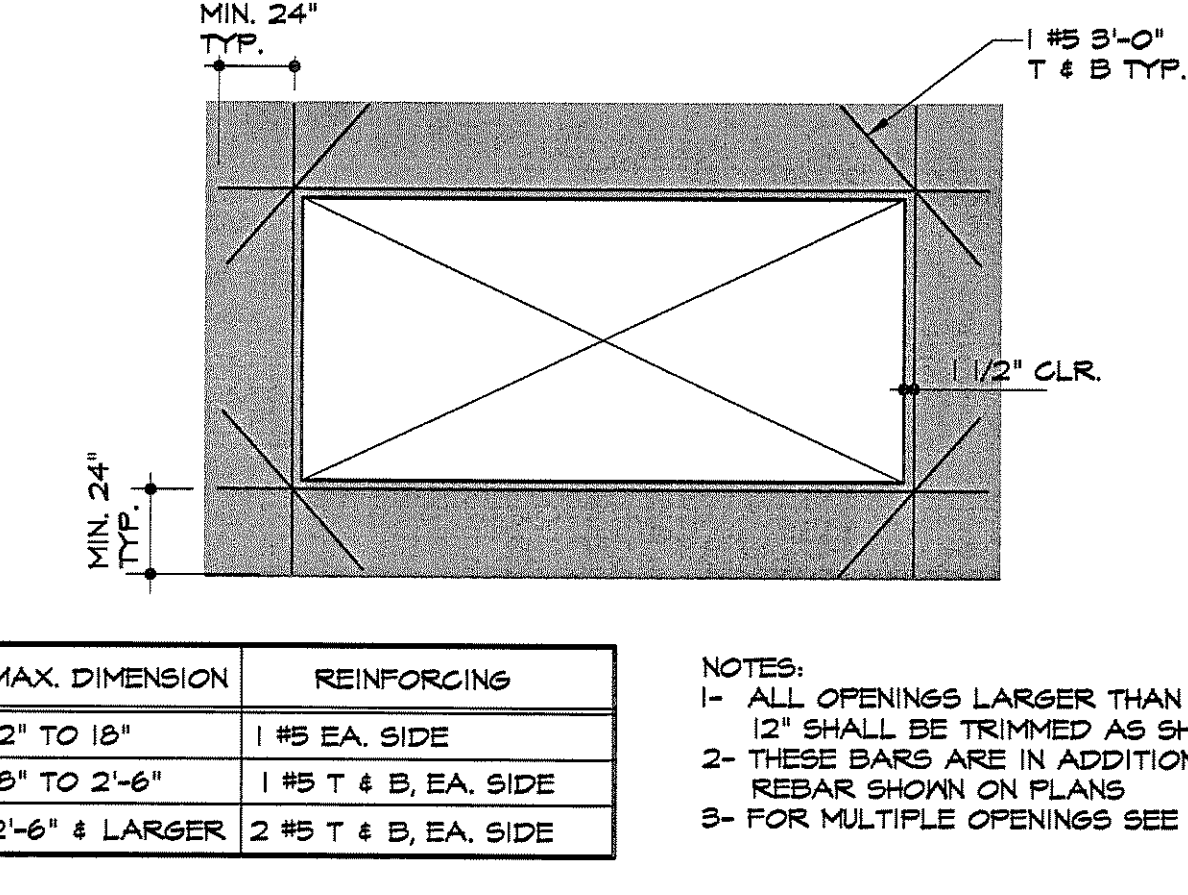
(E) PROFILE FOR PARTIAL PARABOLA TENDONS  
64.02



(F) PROFILE FOR REVERSED PARABOLA TENDONS  
64.02



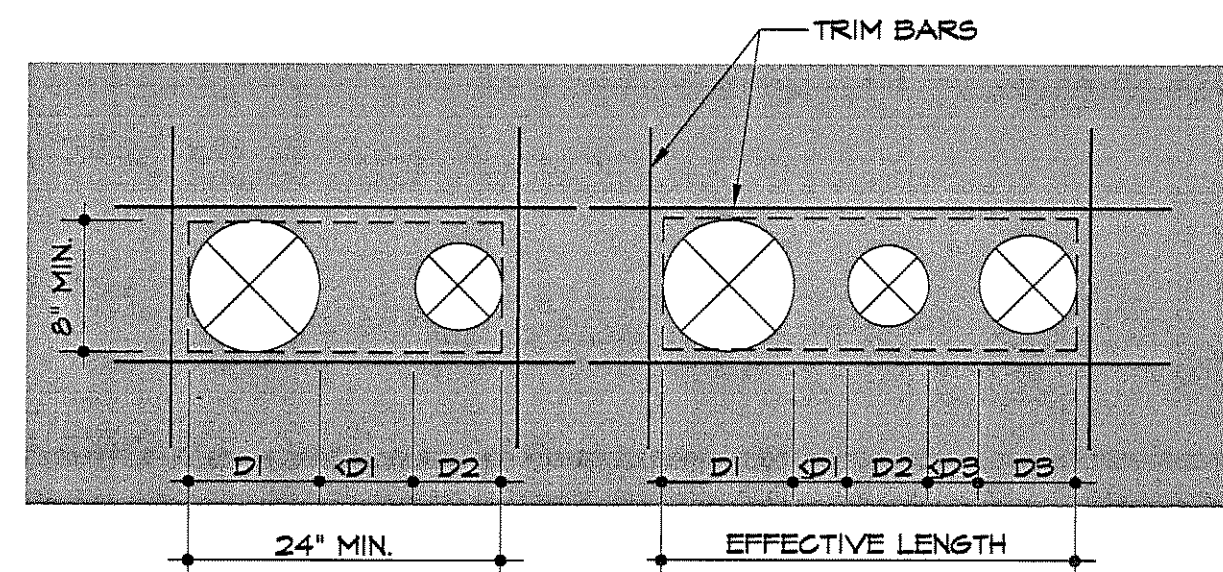
(G) FLARING OF BANDED TENDONS AT SLAB EDGE  
64.02



MAX. DIMENSION	REINFORCING
12" TO 18"	1 #5 EA. SIDE
18" TO 2'-6"	1 #5 T & B, EA. SIDE
2'-6" & LARGER	2 #5 T & B, EA. SIDE

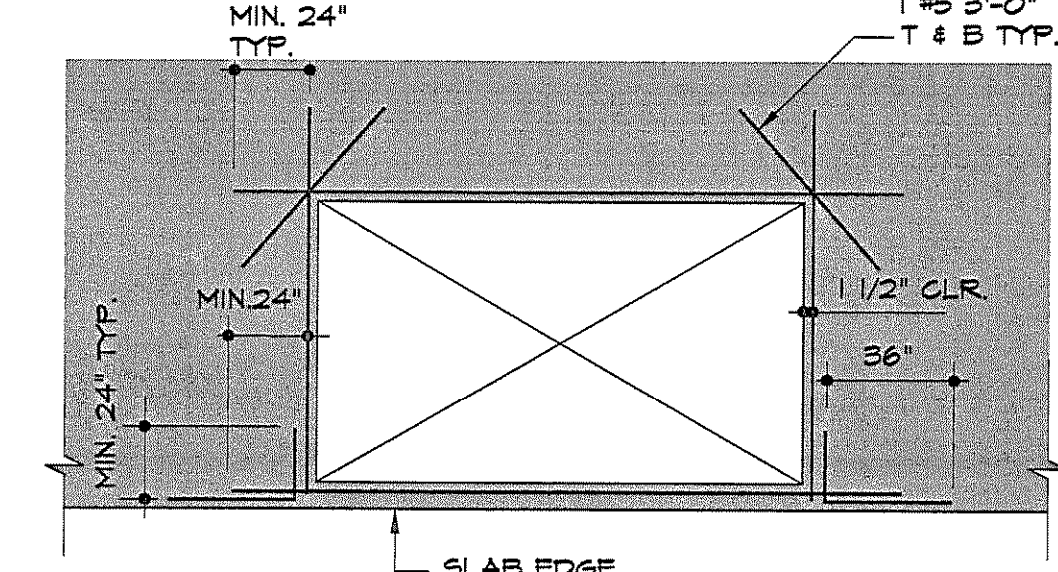
NOTES:  
1- ALL OPENINGS LARGER THAN 12" SHALL BE TRIMMED AS SHOWN  
2- THESE BARS ARE IN ADDITION TO REBAR SHOWN ON PLANS  
3- FOR MULTIPLE OPENINGS SEE (J)

(H) TRIM BARS FOR INTERIOR OPENINGS IN SLAB  
64.02



INSERTS WHICH ARE CLOSER TO ONE ANOTHER THAN THE DIAMETER OF THE LARGER OF THE TWO ARE CONSIDERED TO FORM A COMBINED OPENING  
- IF THE COMBINED OPENING IS LESS THAN 12" NO TRIM BARS ARE REQUIRED  
- IF THE COMBINED OPENING IS MORE THAN 12", BUT LESS THAN 24", PROVIDE 1 #5 T & B WITH 1'-0" EMBEDMENT PAST THE OPENING.  
- NO DIAGONAL BARS ARE NECESSARY  
- IF COMBINED OPENING IS LARGER THAN 24" REFER FOR TRIM BARS TO (H)

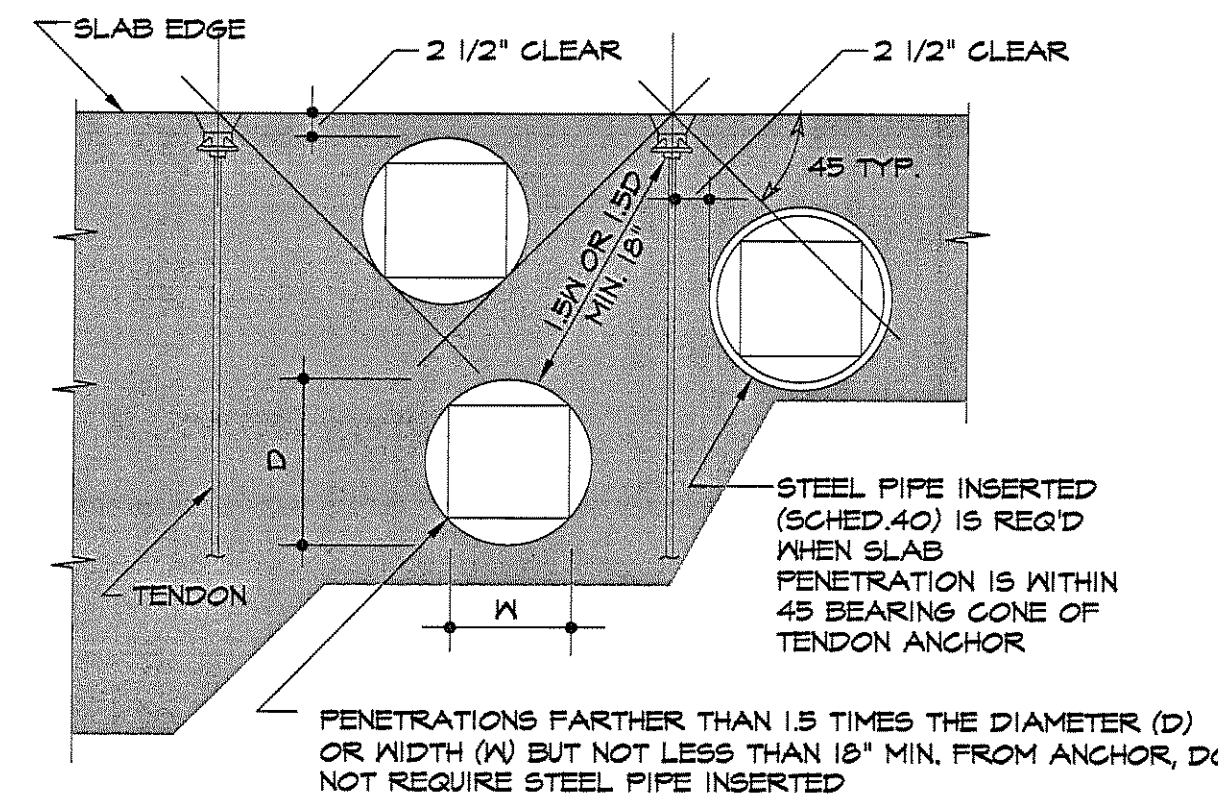
(J) TRIM BARS FOR MULTIPLE OPENINGS  
64.02



MAX. DIMENSION	REINFORCING
12" TO 18"	1 #5 EA. SIDE
18" TO 2'-6"	1 #5 T & B, EA. SIDE
2'-6" & LARGER	2 #5 T & B, EA. SIDE

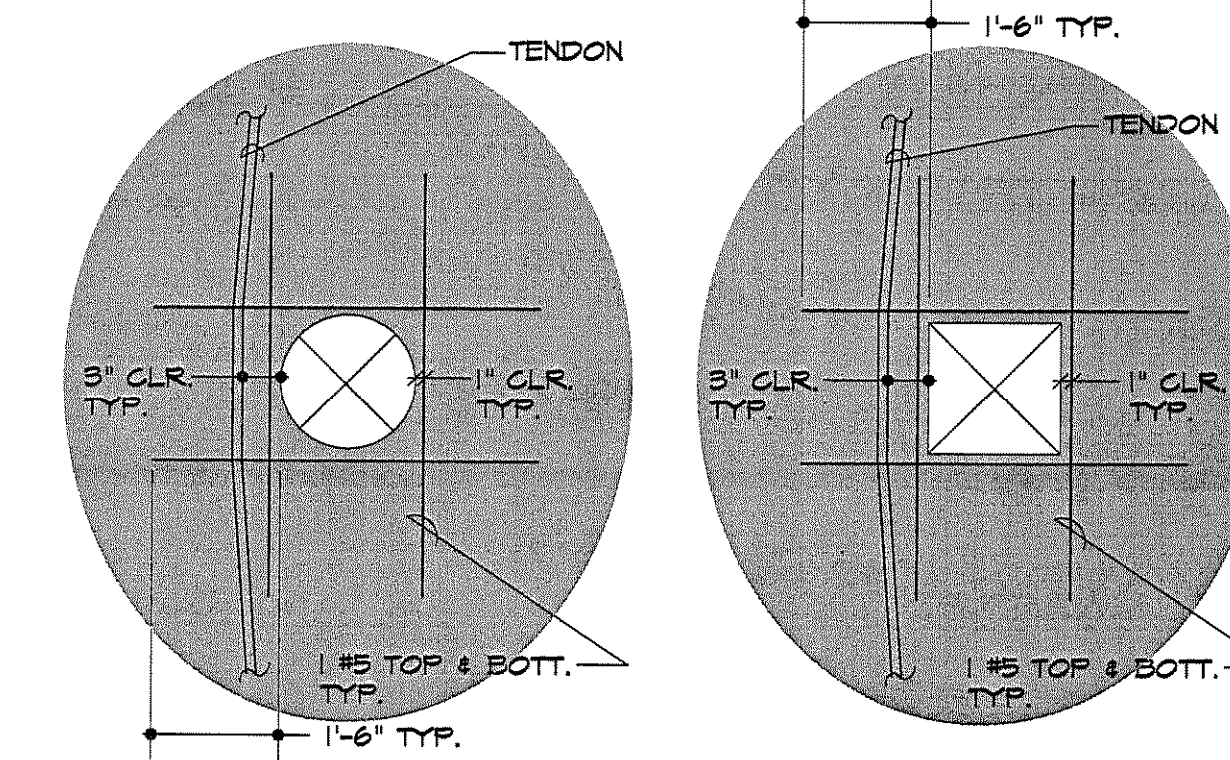
NOTES:  
1- ALL OPENINGS LARGER THAN 12" SHALL BE TRIMMED AS SHOWN  
2- THESE BARS ARE IN ADDITION TO REBAR SHOWN ON PLANS  
3- FOR MULTIPLE OPENINGS SEE (J)

(K) TRIM BARS FOR OPENINGS AT SLAB EDGE  
64.02



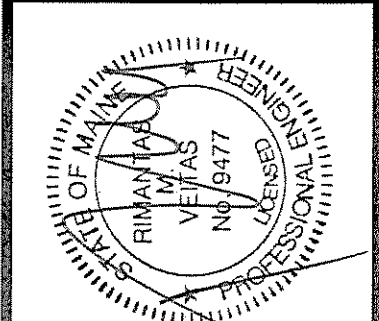
NOTE: PENETRATION WITH DIMENSIONS GREATER THAN 12" REQUIRE TRIM REBAR PER (M)

(L) OPENINGS AT PT ANCHORAGE  
64.02



REINF. FOR OPENINGS IN SLAB, 10"-24"  
SINGLE OPENINGS OF SMALLER DIMENSION DO NOT REQUIRE TRIM BARS. FOR OPENINGS OF LARGER DIMENSION AND MULTIPLE OPENINGS REFER TO (H)

(M) TRIM BARS AT SLAB OPENINGS  
64.02



OWNER:  
53 DANFORTH STREET, LP  
C/O THE SZANTON COMPANY  
ONE CITY CENTER - 4TH FLOOR  
PORTLAND, ME 04101

ARCHETYPE, P.A.  
ARCHITECTS  
48 Union Wharf Portland, Maine 04101  
(207) 772-6022 Fax (207) 772-4056

53 DANFORTH  
53 DANFORTH STREET  
PORTLAND, MAINE

Project:  
Revisions:  
28 May 2008 - 50% MSHA Submittal  
01 July 2008 - 90% MSHA Submittal  
15 July 2008 - Pricing Set  
25 July 2008 - 100% MSHA Submittal

Date: 28 May 2008  
Scale: 1/8" = 1'-0"  
POST-TENSIONING  
SECTIONS & DETAILS