

STRESSING END ANCHORS SHOWING THE HAIRPIN

STRESSING END ANCHOR SHOWING

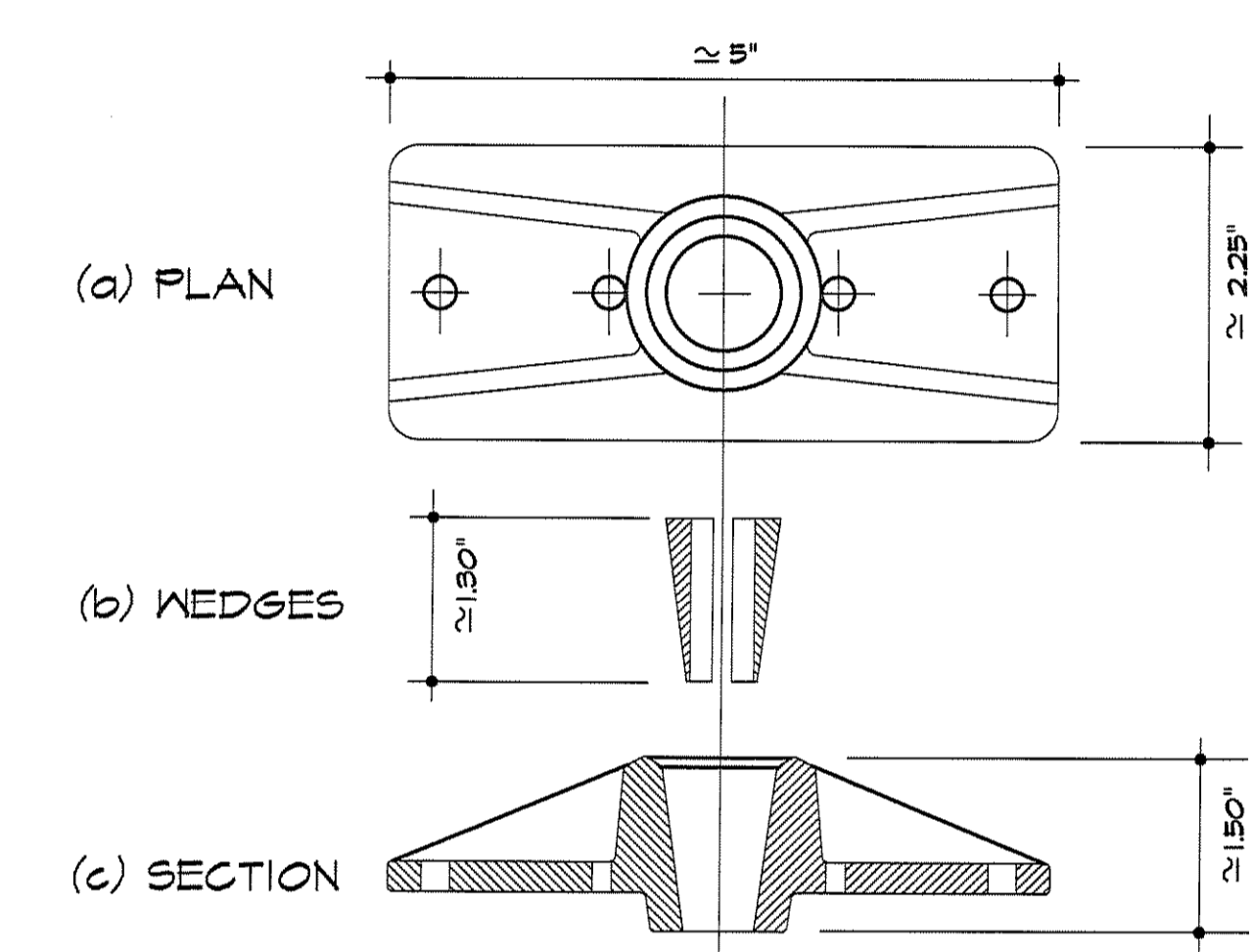
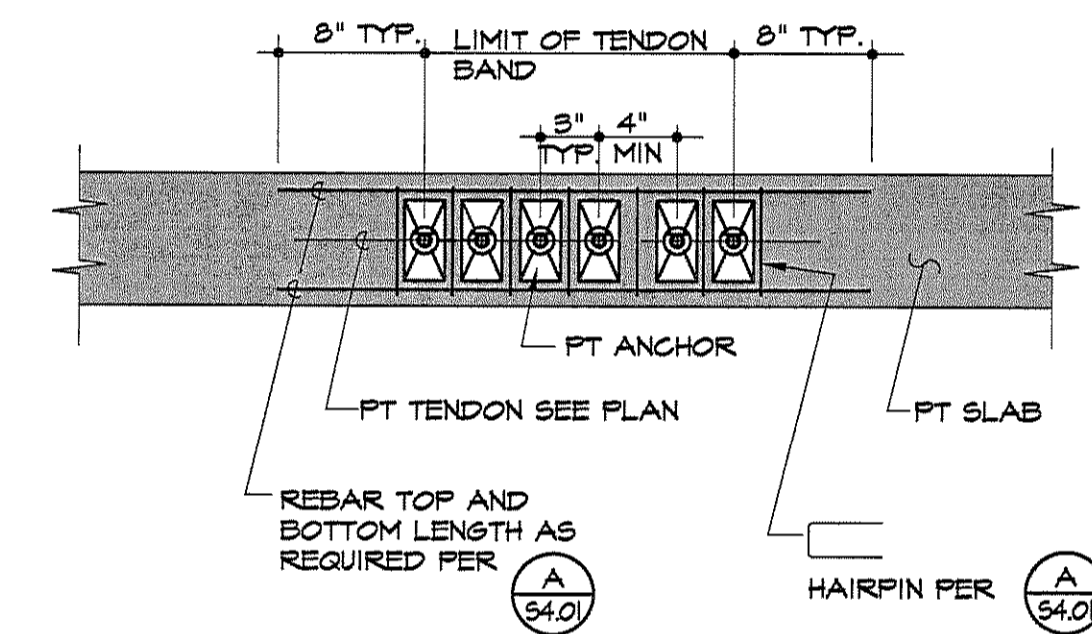
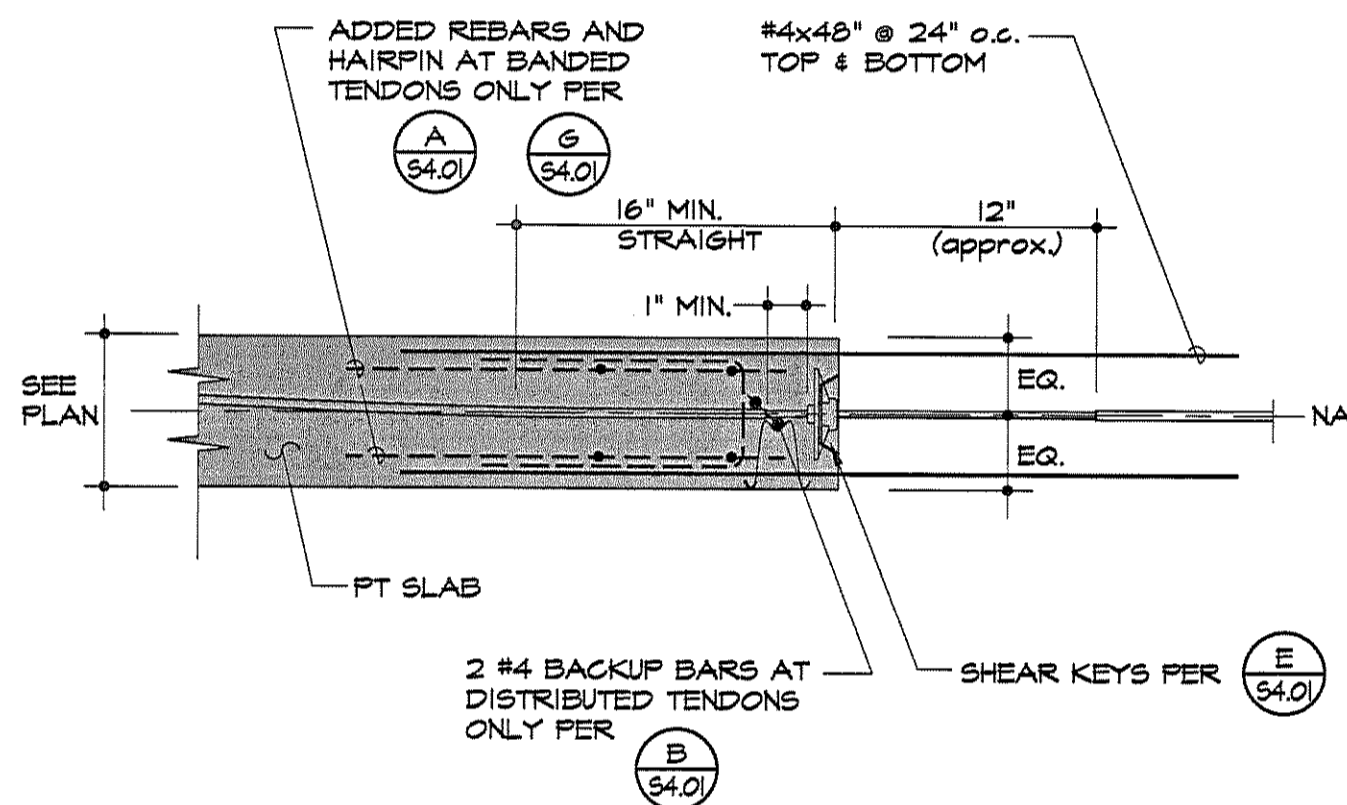
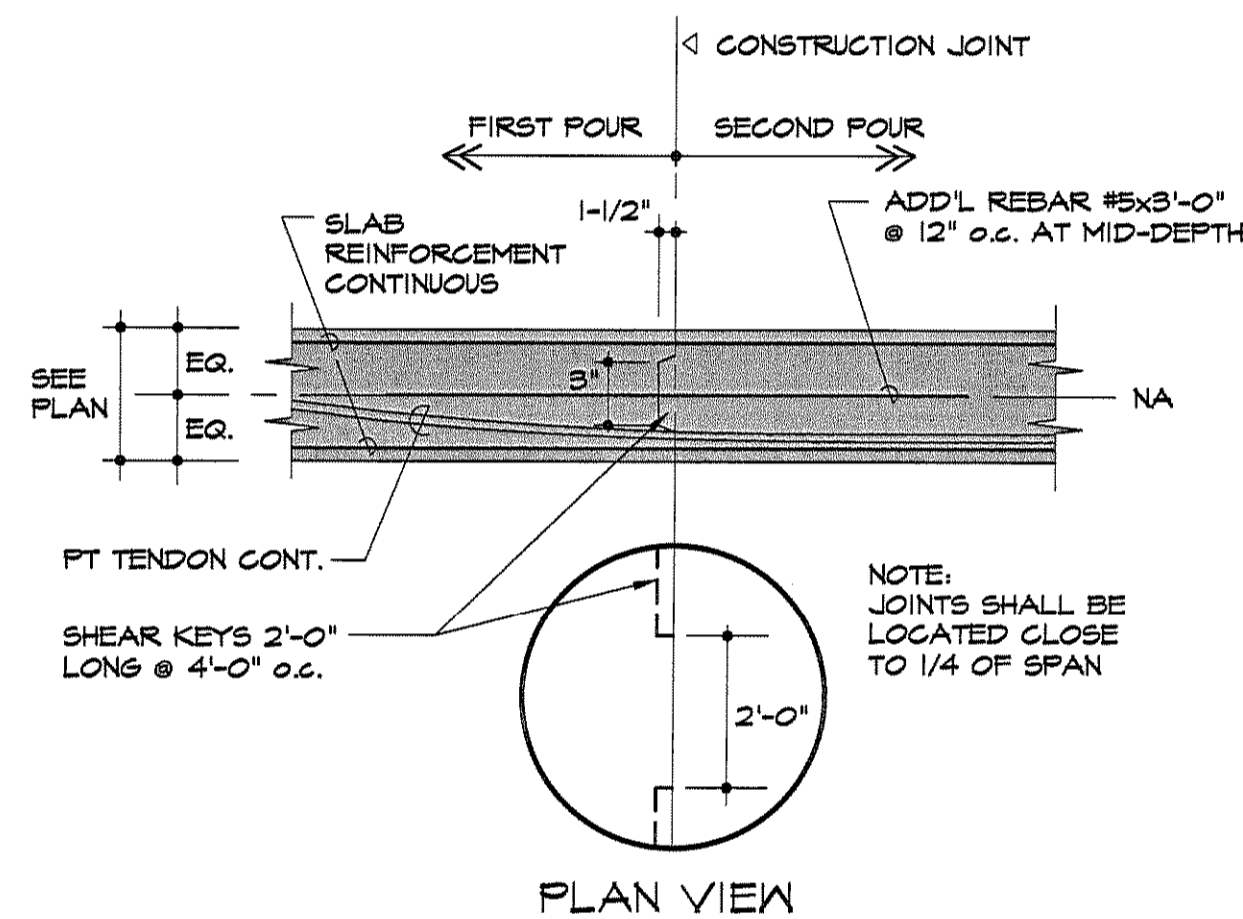
STRESSING END ANCHOR FOR

DEAD END AT DISTRIBUTED TENDONS

(A) S4.01 AND ADDED #4 BARS AT TENDON BANDS

(B) S4.01 ADDED #4 BARS AT DISTRIBUTED TENDONS

(C) S4.01 DISTRIBUTED TENDONS

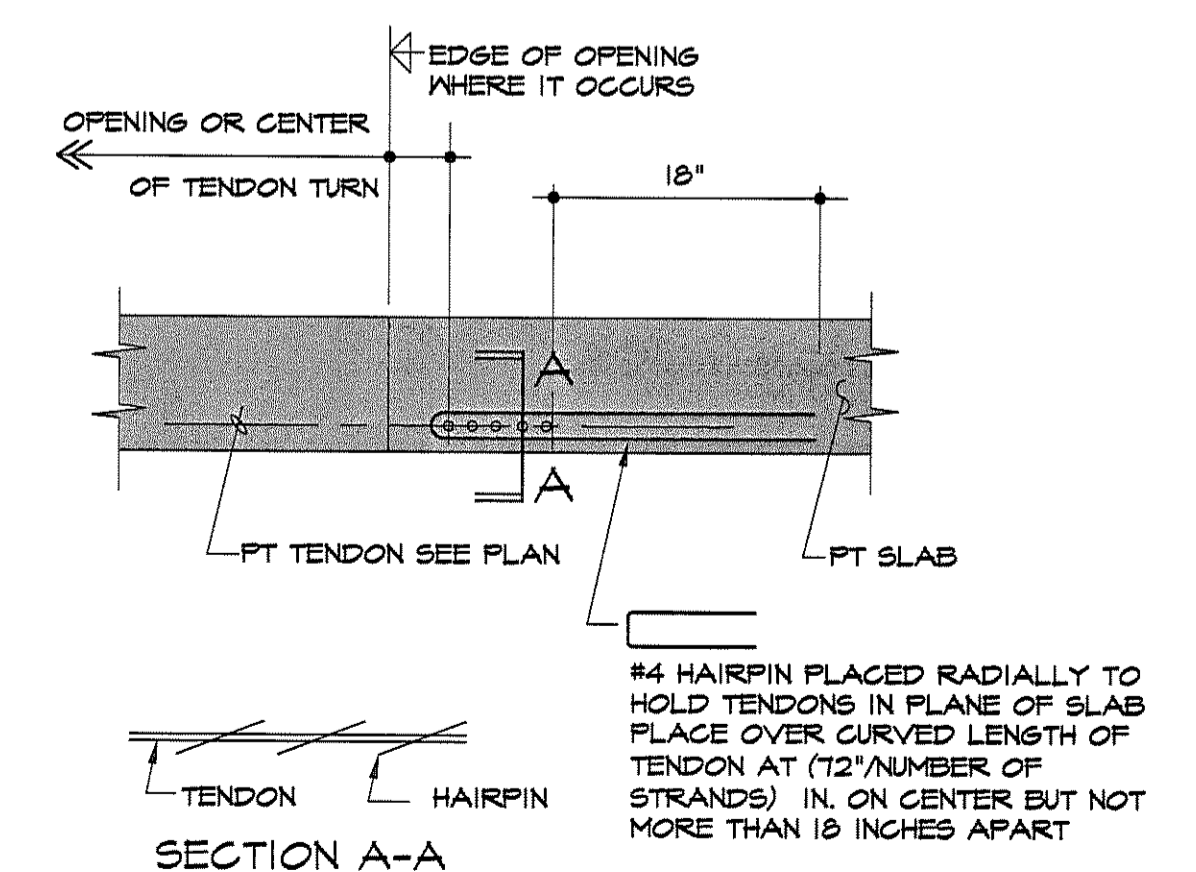
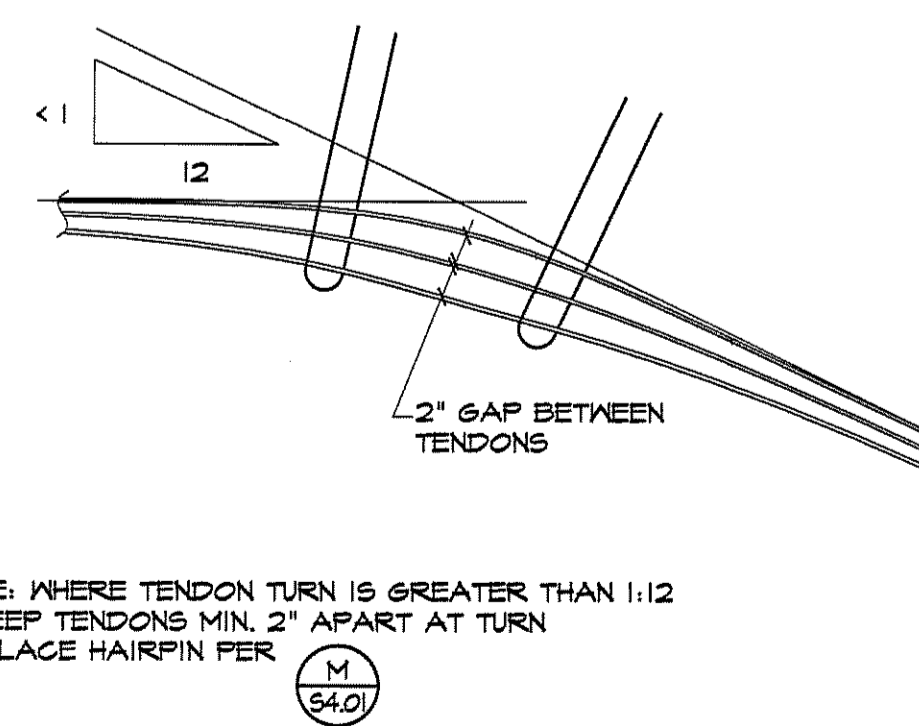
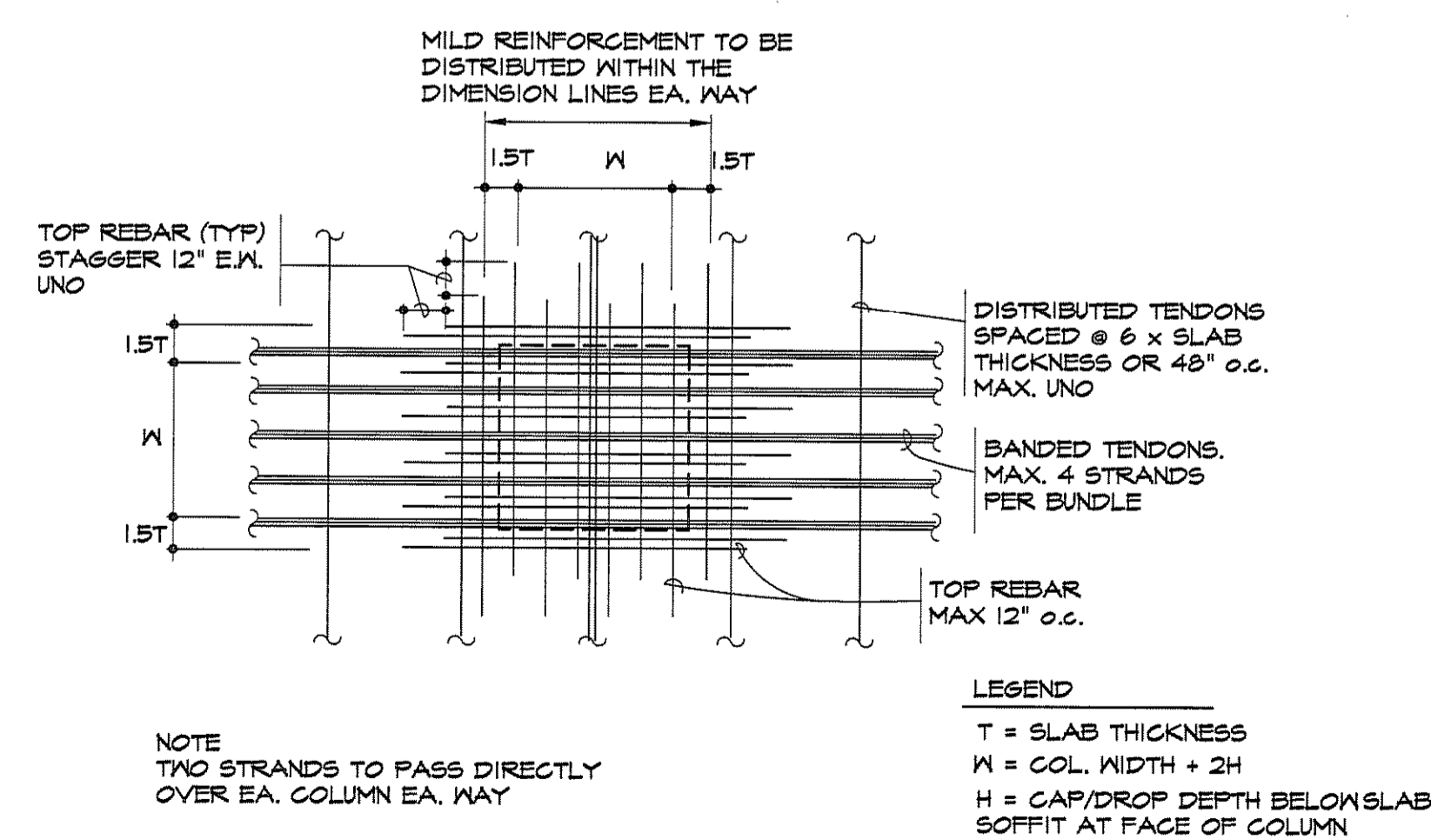
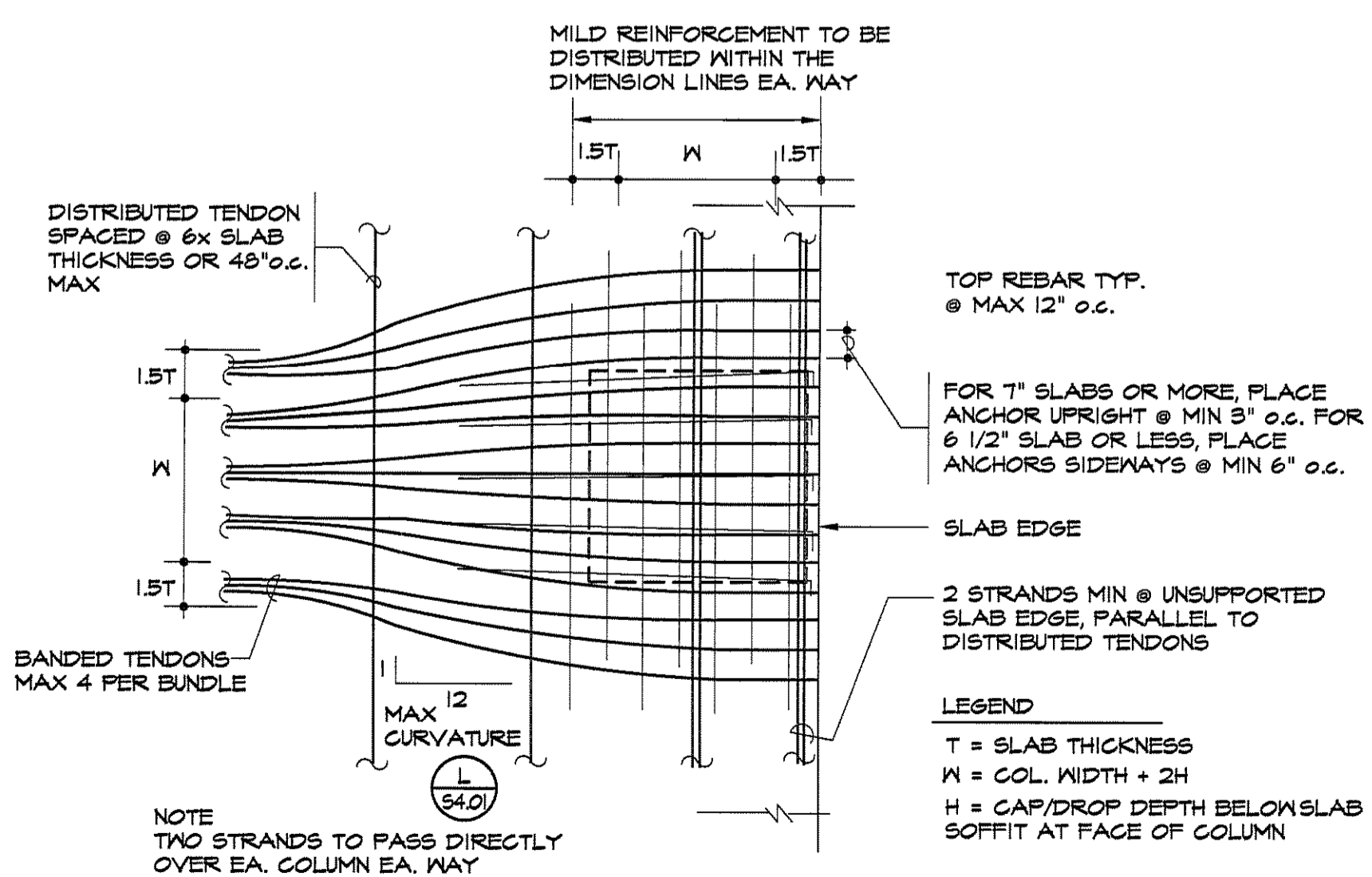


CONSTRUCTION JOINT WITH NO INTERMEDIATE STRESSING

CONSTRUCTION JOINT WITH INTERMEDIATE STRESSING

TYPICAL REINFORCEMENT OF TENDON BAND AT SLAB EDGE OR INTERMEDIATE STRESSING

(H) S4.01 GENERIC MONOSTRAND ANCHORAGE

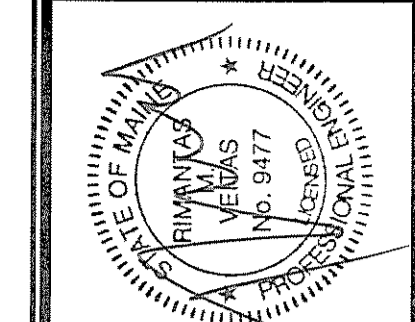


TOP REINFORCEMENT AT EXTERIOR COLUMNS

TOP REINFORCEMENT AT INTERIOR COLUMNS

TENDON PLACEMENT FOR TURNS > 1:12

TYP. HAIRPIN @ TENDON TURNS



OWNER:
53 DANFORTH STREET, LP
C/O THE SZANTON COMPANY
ONE CITY CENTER - 4TH FLOOR
PORTLAND, ME 04101

ARCHETYPE, P.A.
ARCHITECTS
48 Union Wharf Portland, Maine 04101
(207) 772-6022 Fax (207) 772-4056

53 DANFORTH
53 DANFORTH STREET
PORTLAND, MAINE

Project:
Revisions:
28 May 2008 - 50% MSHA Submittal
01 July 2008 - 90% MSHA Submittal
15 July 2008 - Pricing Set
25 July 2008 - 100% MSHA Submittal

Date: 28 May 2008
Scale: 1/8" = 1'-0"
POST-TENSIONING
SECTIONS & DETAILS