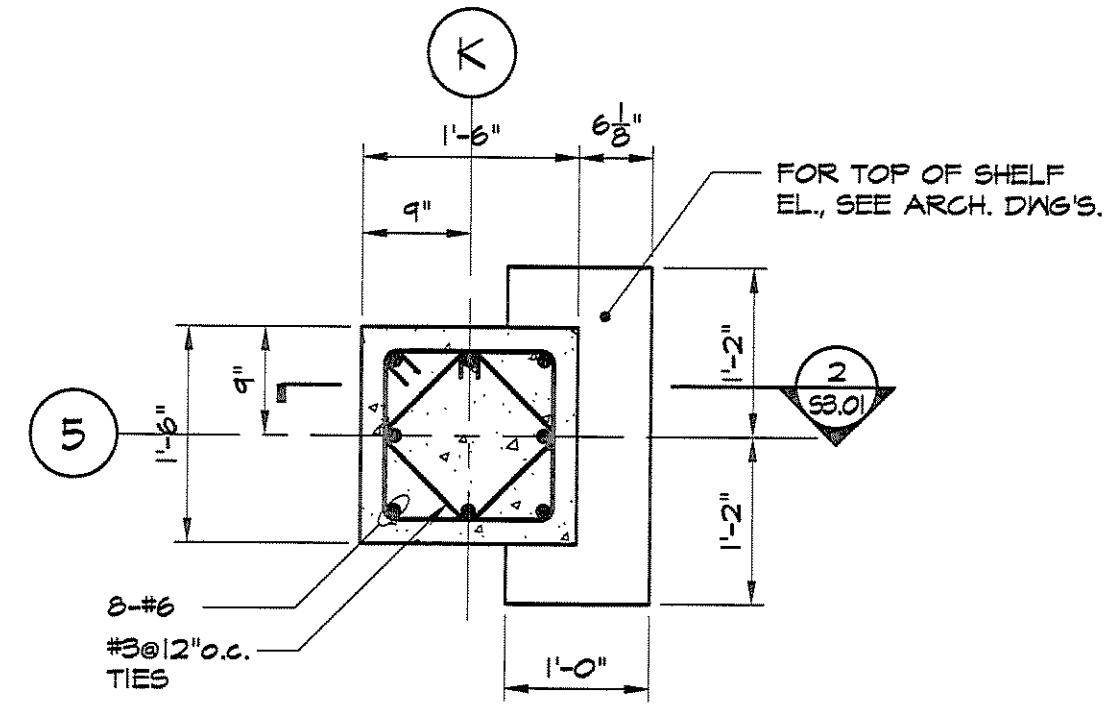
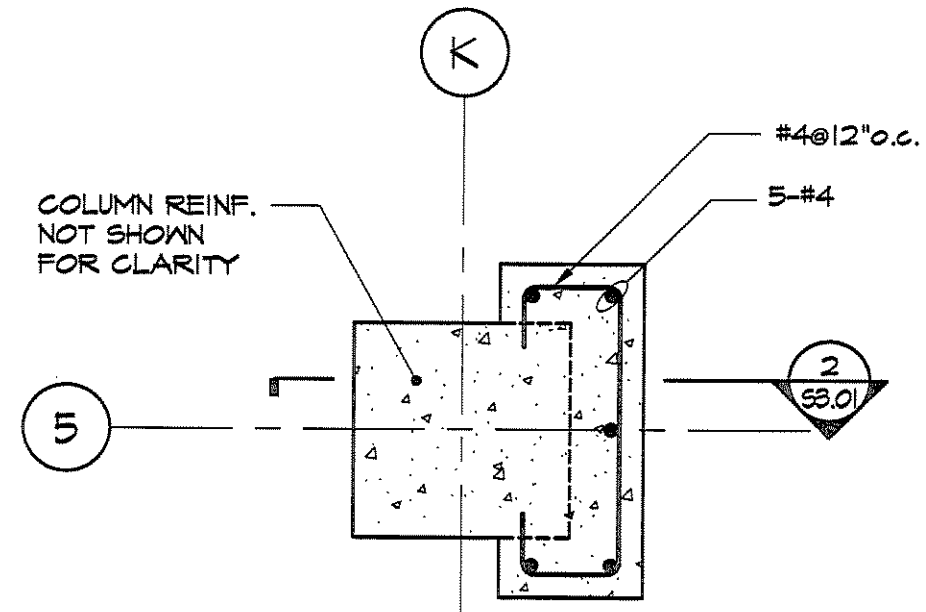


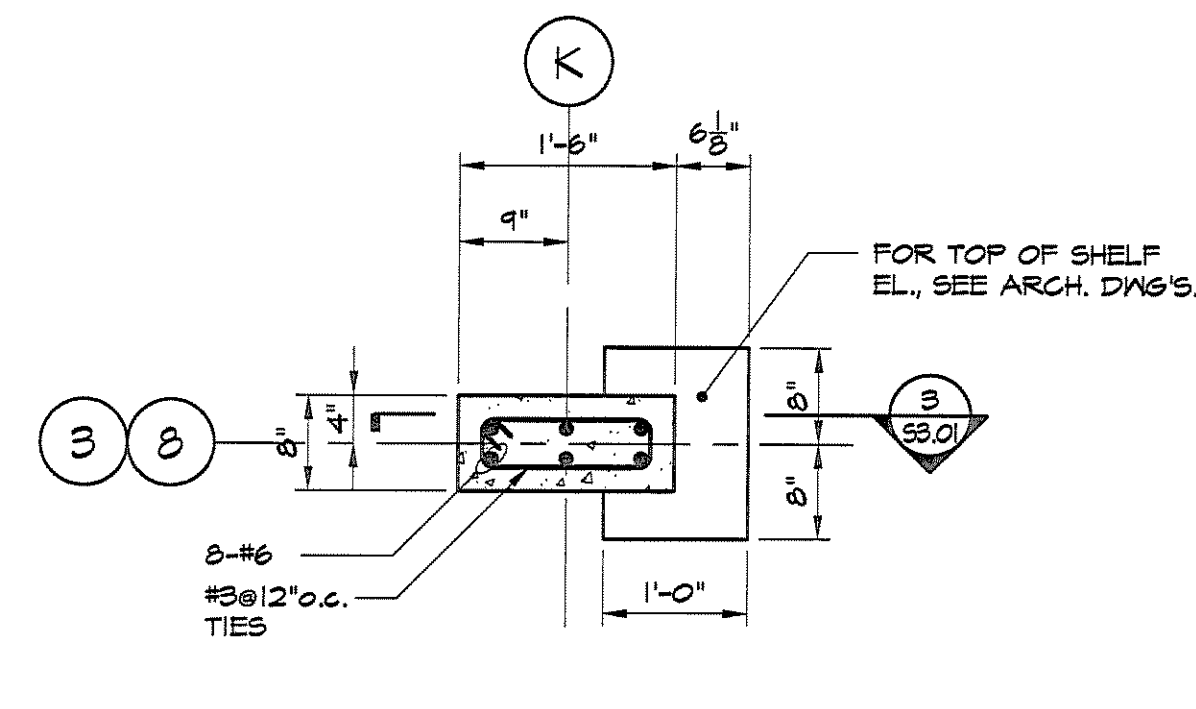
18"x18" CONCRETE COLUMN
3/4"=1'-0"



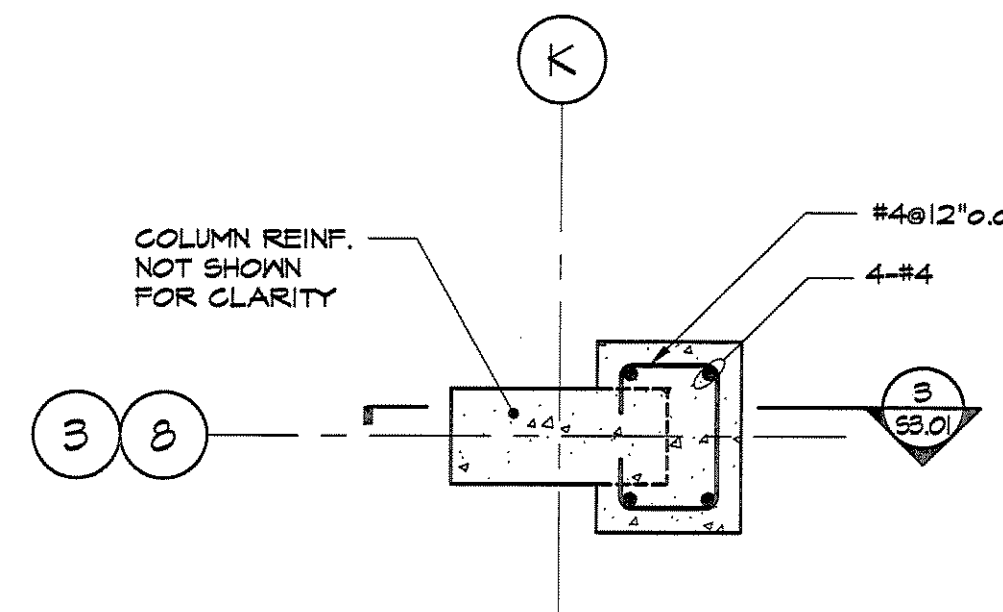
SECTION ABOVE BRICK SHELF



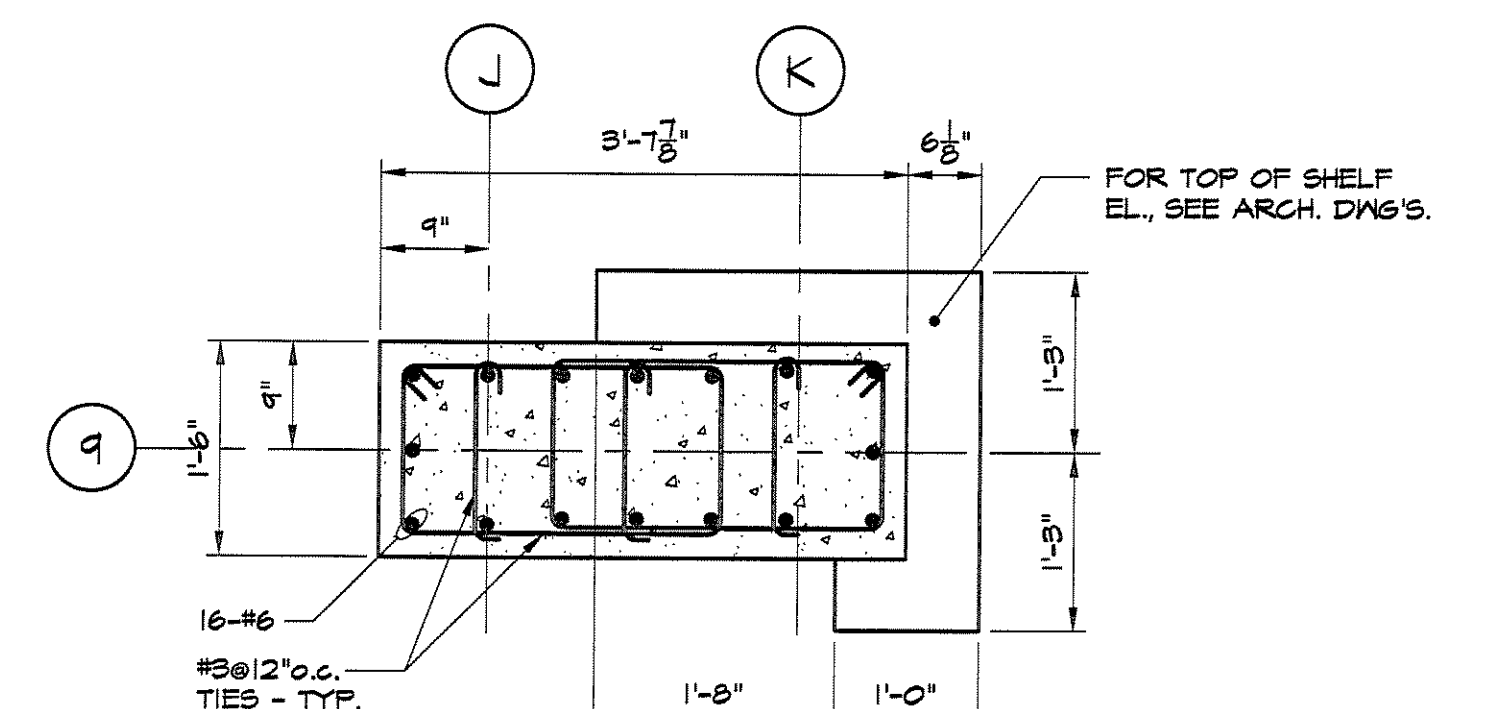
SECTION THROUGH BRICK SHELF



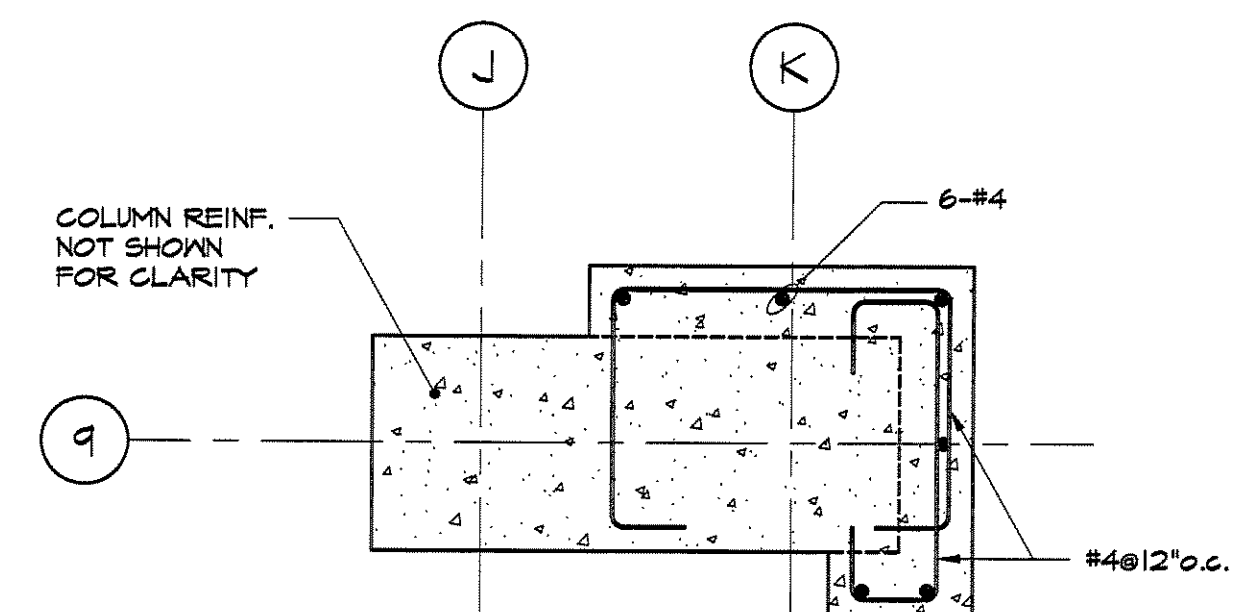
SECTION ABOVE BRICK SHELF



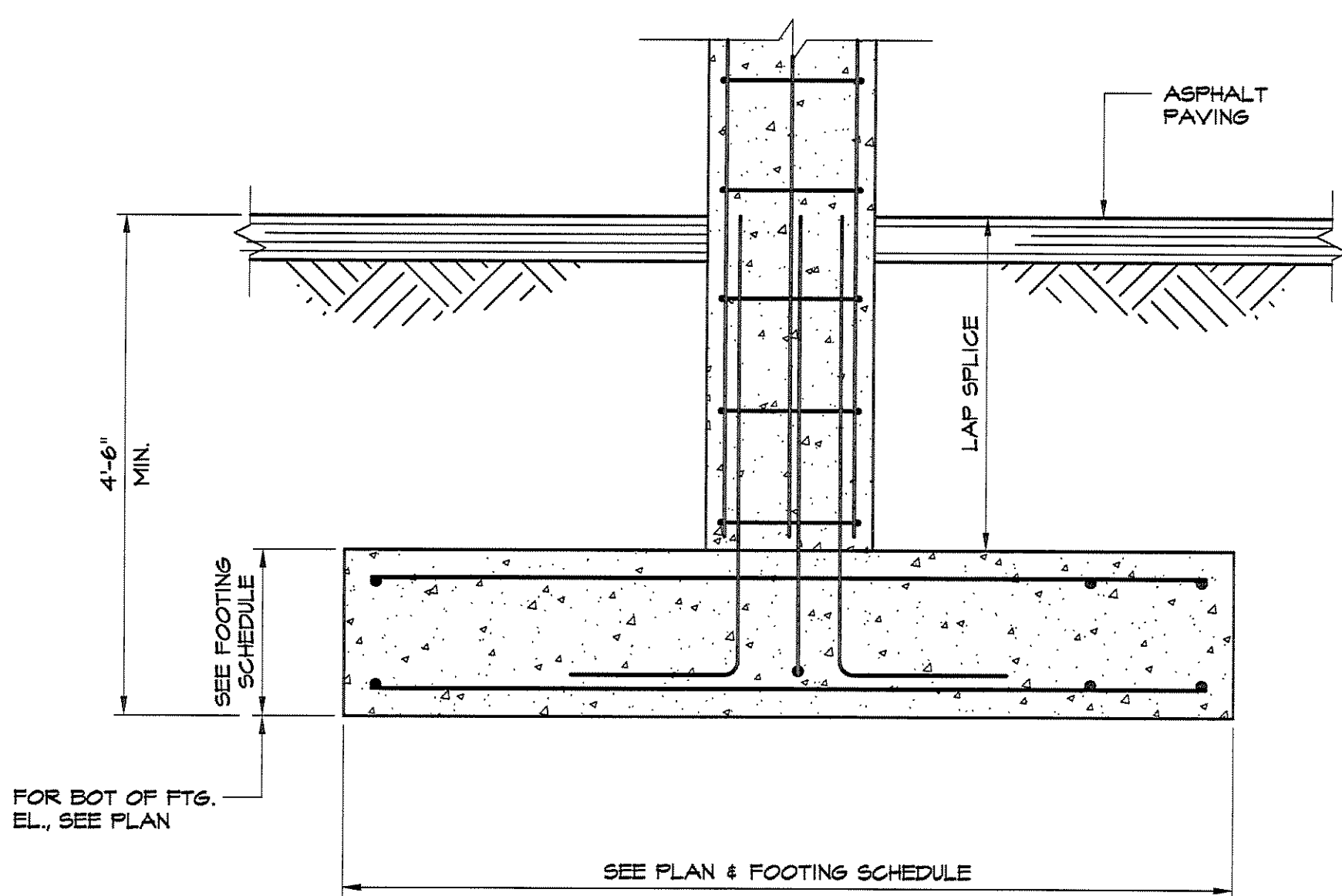
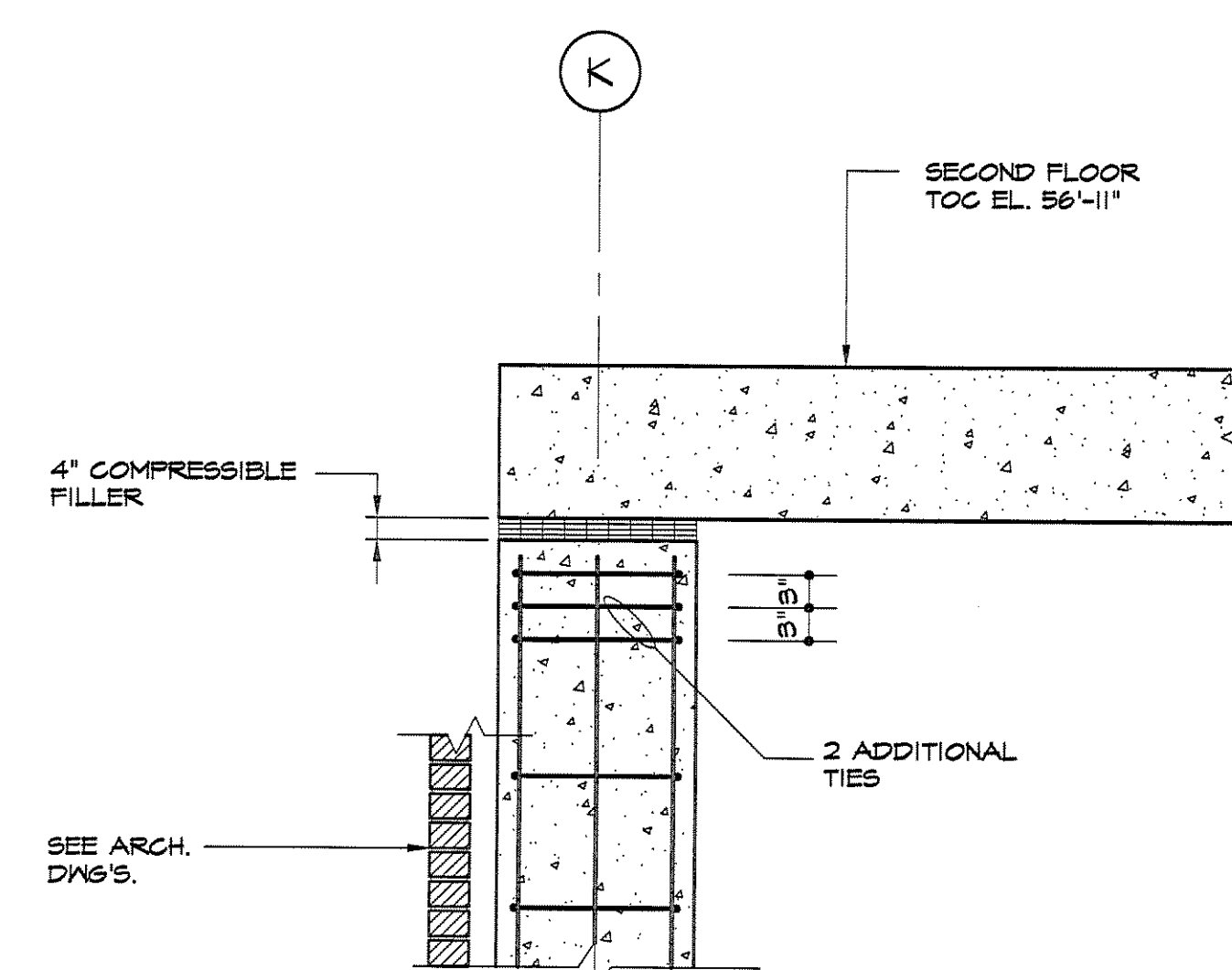
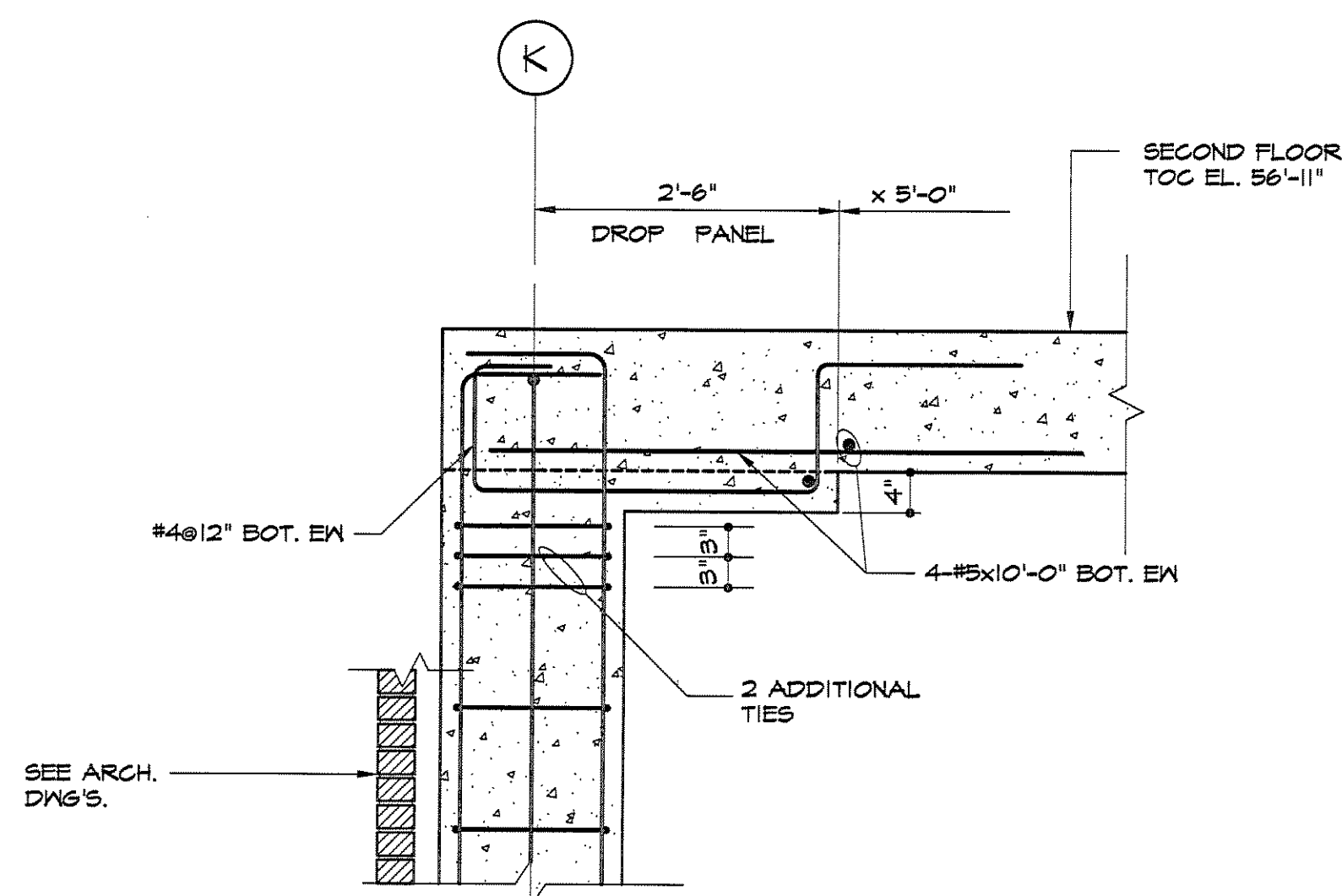
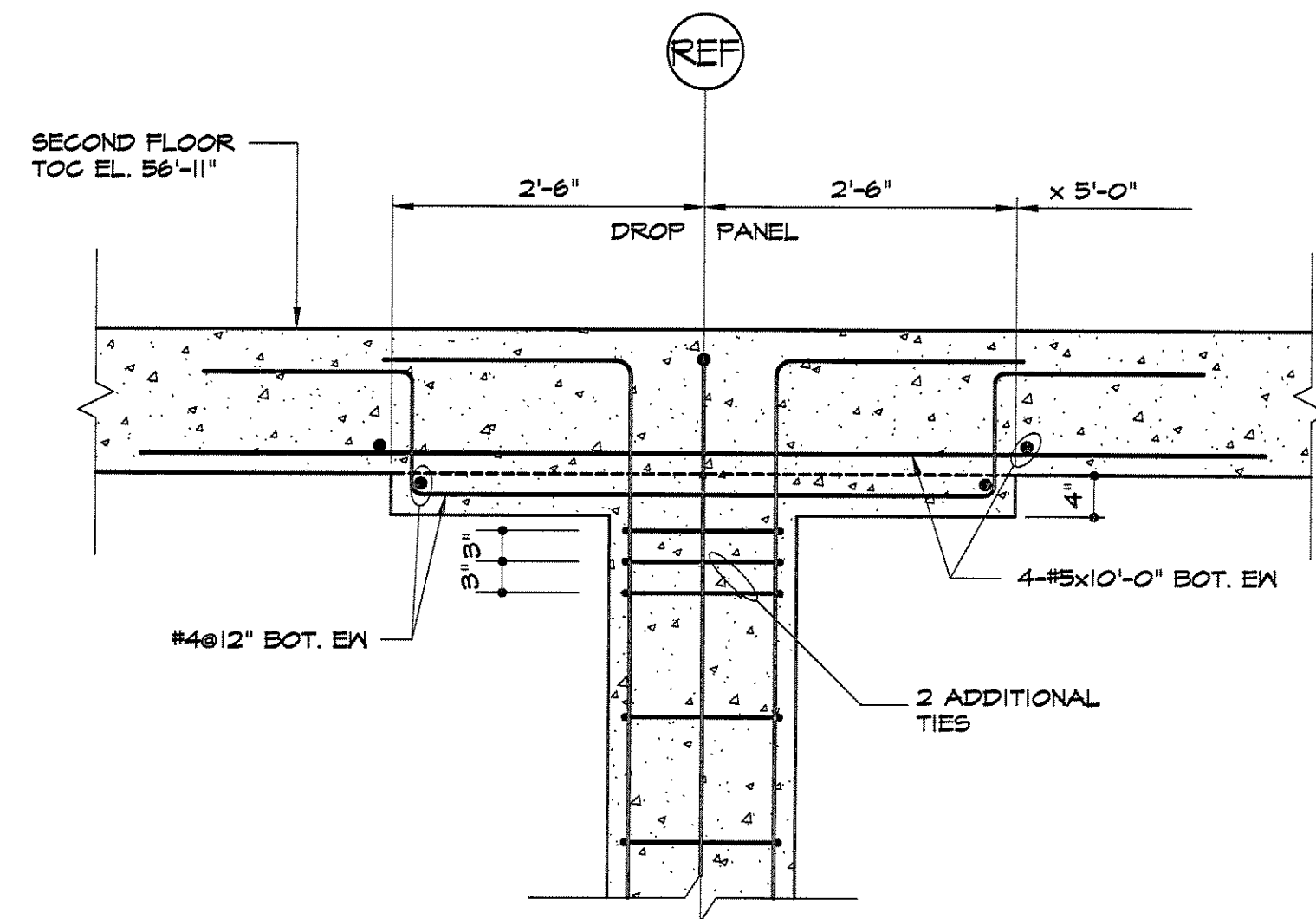
SECTION THROUGH BRICK SHELF



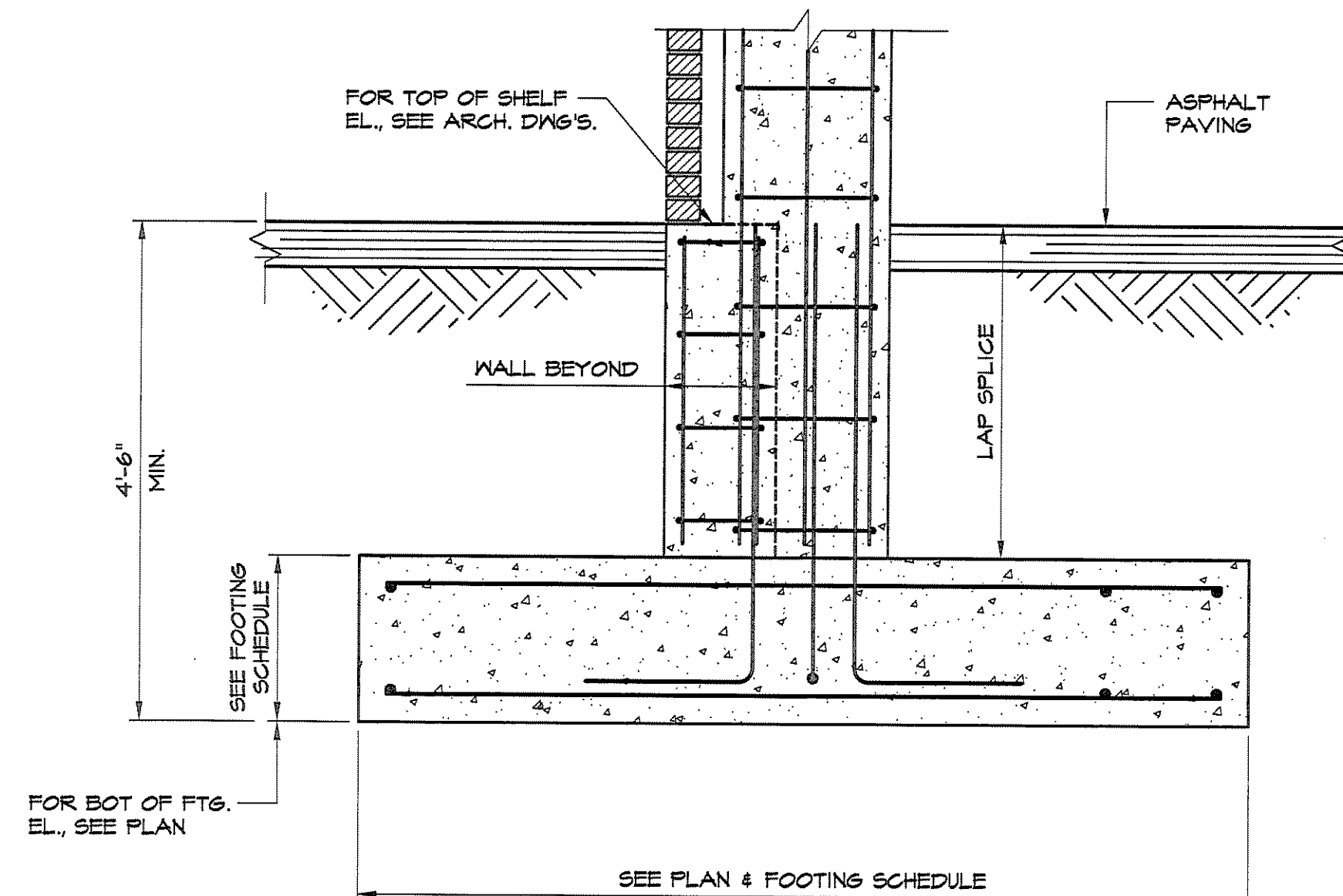
SECTION ABOVE BRICK SHELF



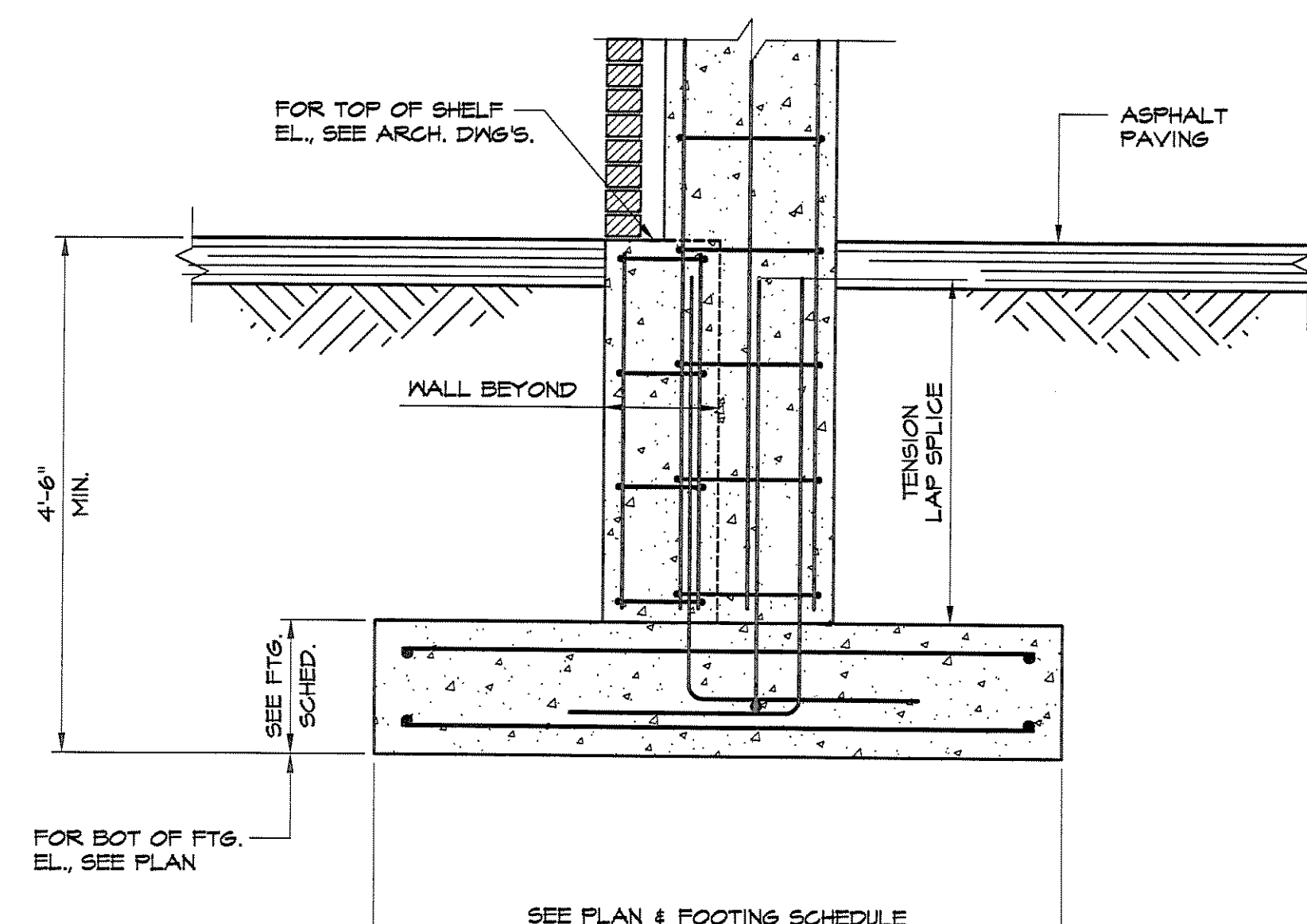
SECTION THROUGH BRICK SHELF



SECTION 1
3/4"=1'-0"



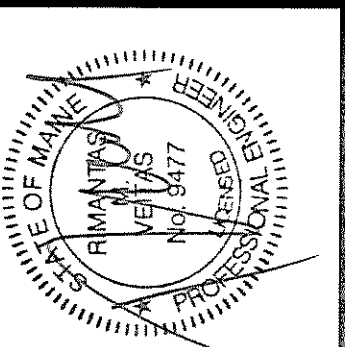
SECTION 2
3/4"=1'-0"



SECTION 3
3/4"=1'-0"

VEITAS and VEITAS engineers

639 Granite Street, Suite 101
Braintree, Massachusetts 02184
TEL (781)843-2963 FAX (781)849-2065



OWNER:
53 DANFORTH STREET, LP
C/O THE SZANTON COMPANY
ONE CITY CENTER - 4TH FLOOR
PORTLAND, ME 04101

ARCHETYPE, P.A.
ARCHITECTS
48 Union Wharf Portland, Maine 04101
(207) 772-6022 Fax (207) 772-4056

53 DANFORTH
53 DANFORTH STREET
PORTLAND, MAINE

Project:
Revisions:
28 May 2008 - 50% MSHA Submittal
01 July 2008 - 90% MSHA Submittal
15 July 2008 - Pricing Set
25 July 2008 - 100% MSHA Submittal

Date: 28 May 2008
Scale: 1/8" = 1'-0"
COLUMN & PIER
SECTIONS & DETAILS

S3.01