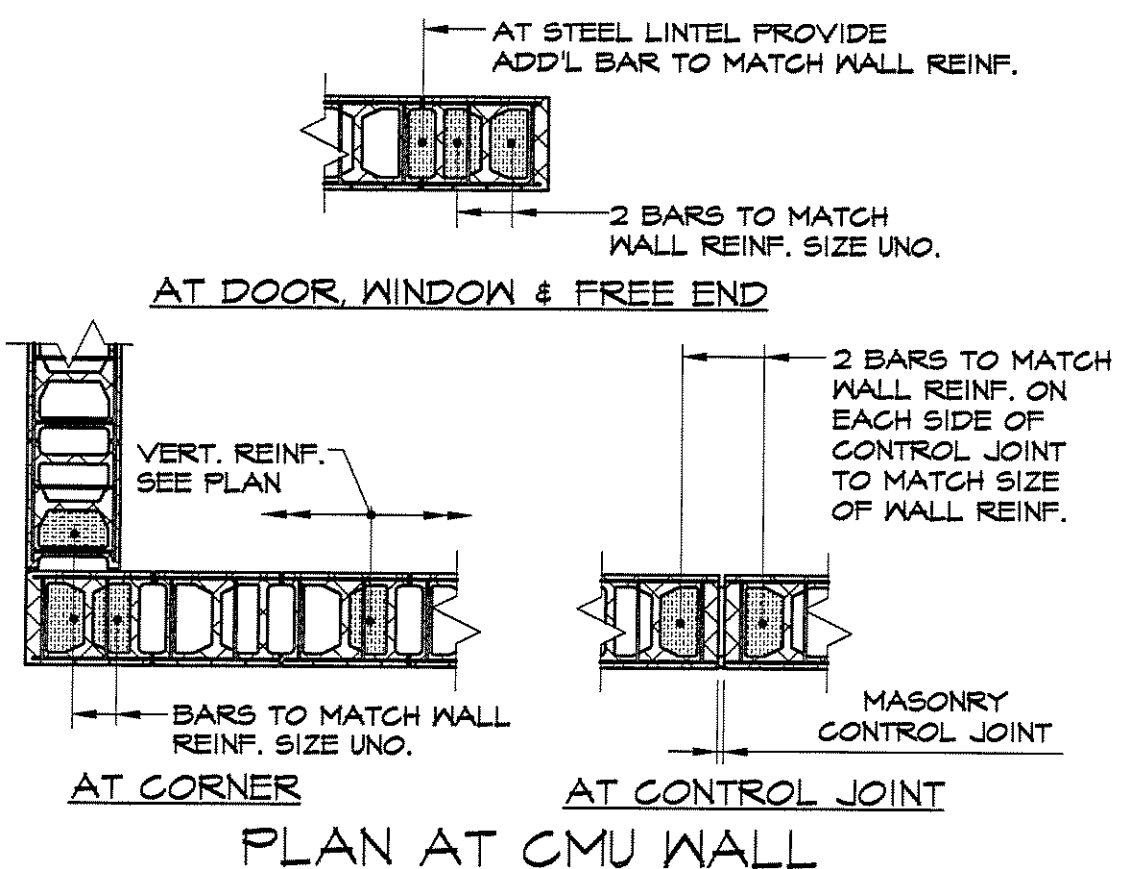
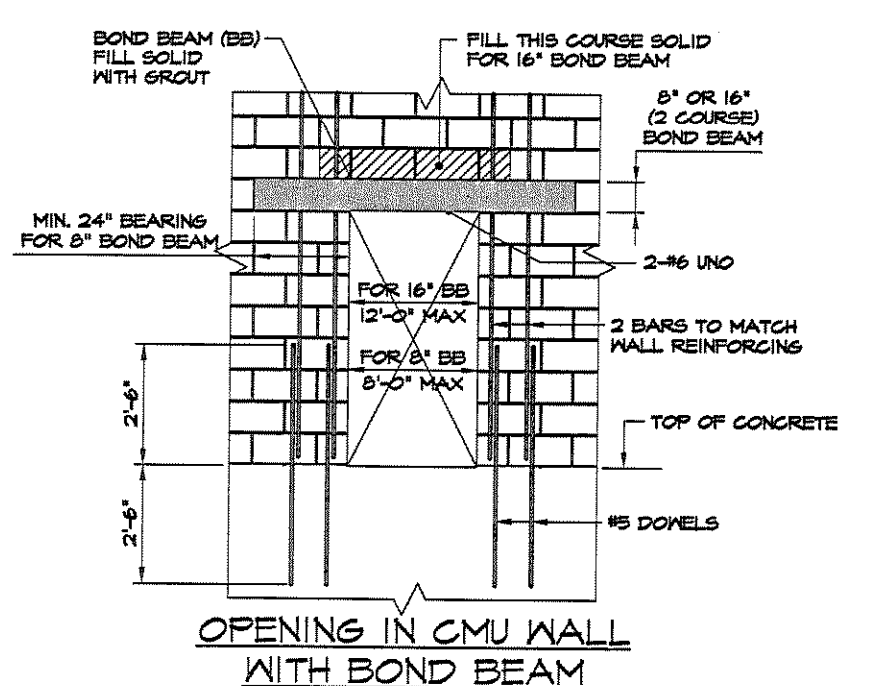
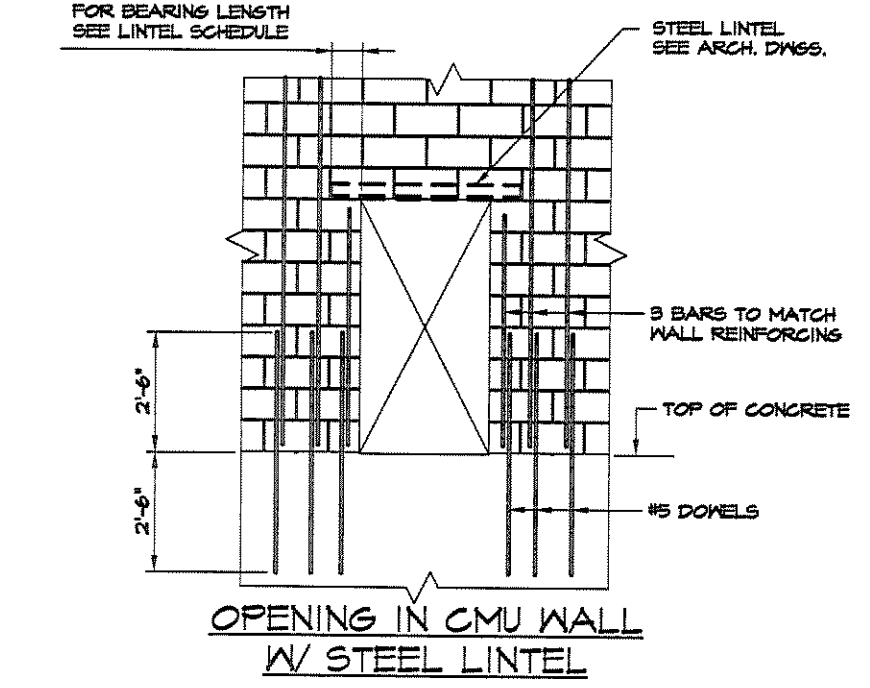
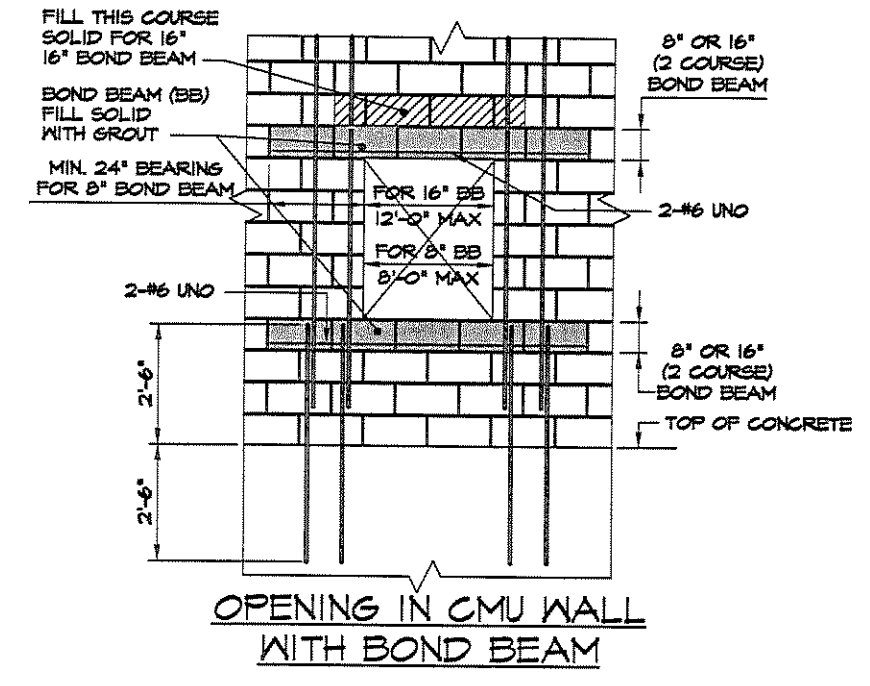


BAR SIZE	LAP LENGTH
#4	24"
#5	30"
#6	36"
#7	42"
#8	48"

- G.C. & MASON NOTES:**
1. THIS DETAIL IS FOR "LOW LIFT" GROUTING.
 2. THE MAXIMUM LIFT FOR "LOW LIFT" GROUTING IS 4'-0".
 3. G.C. TO COORDINATE REBAR LENGTHS WITH MASONRY CONTRACTOR PRIOR TO SUBMITTING SHOP DRAWINGS FOR CMU REINFORCING.

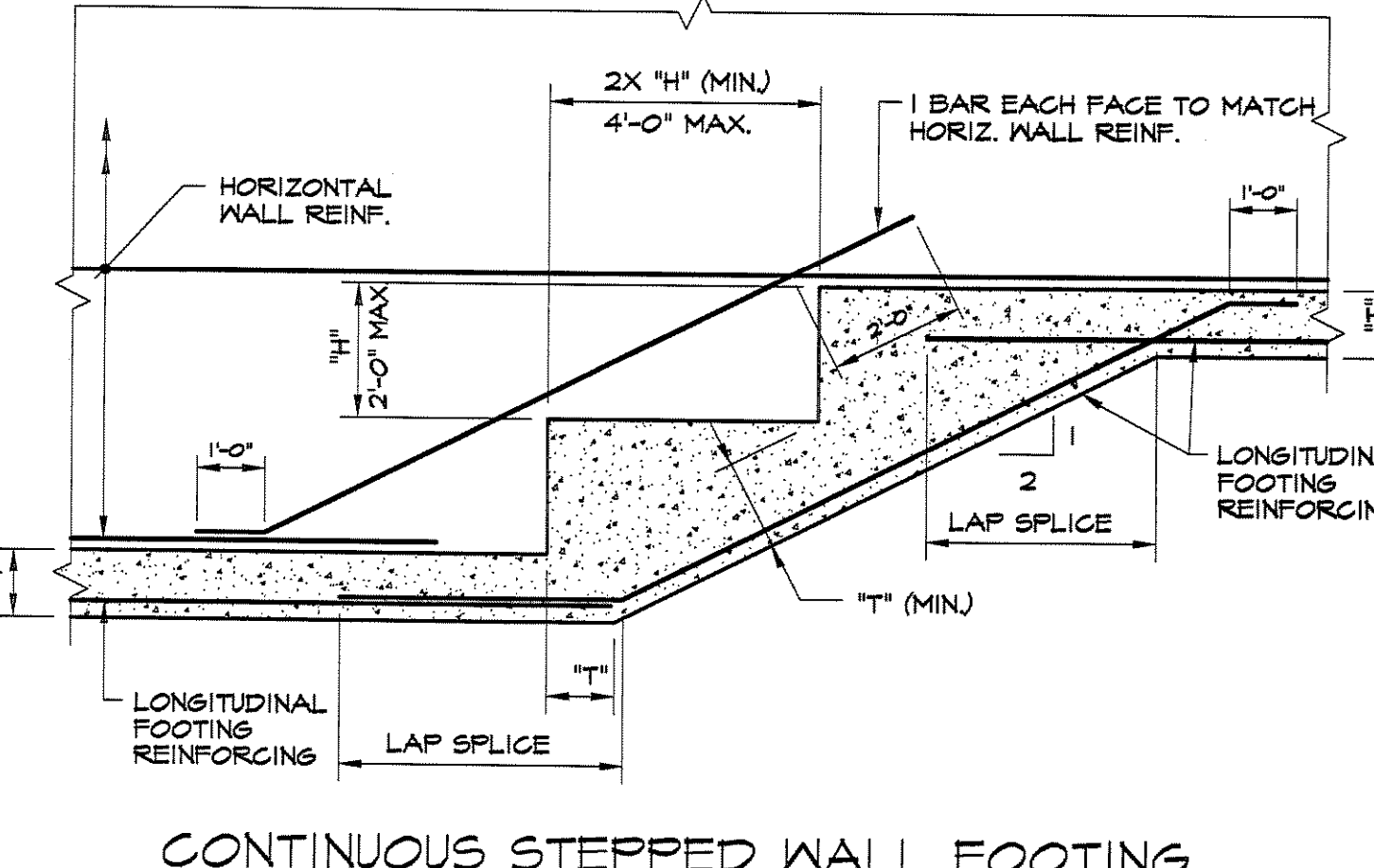
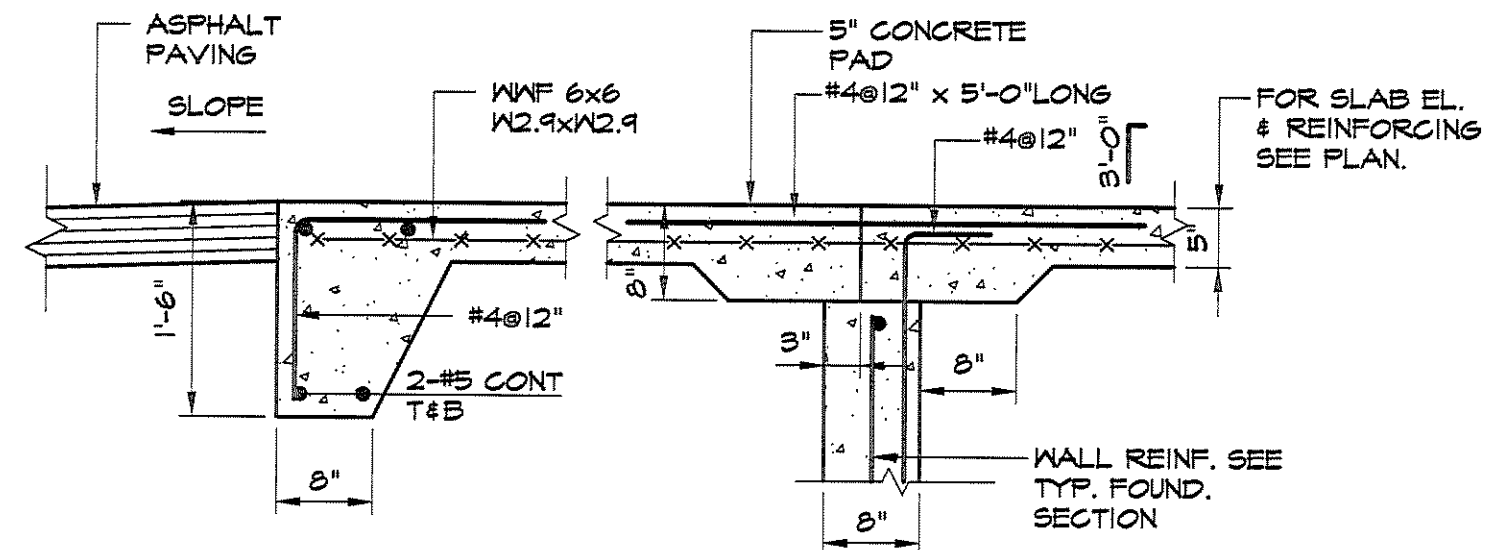
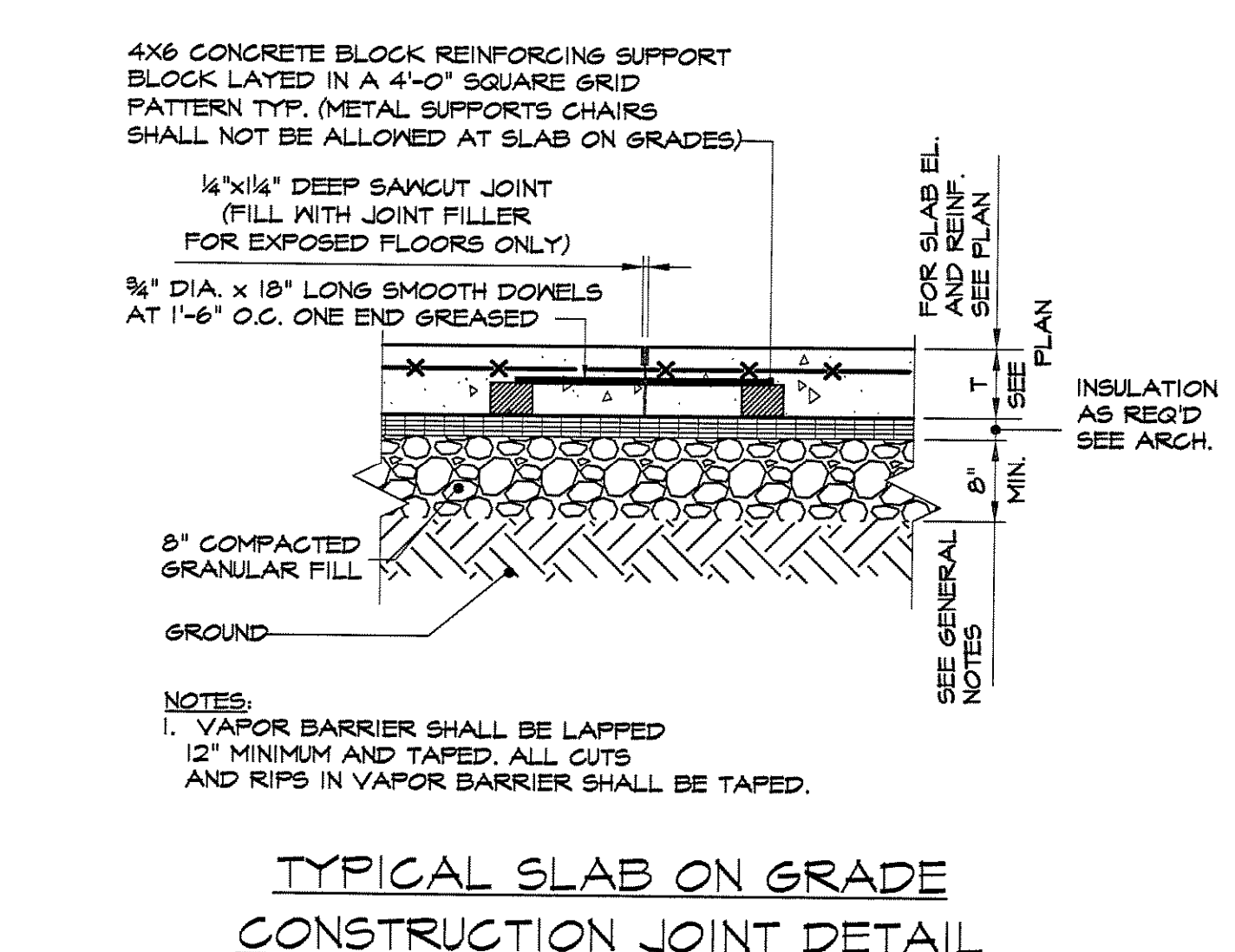
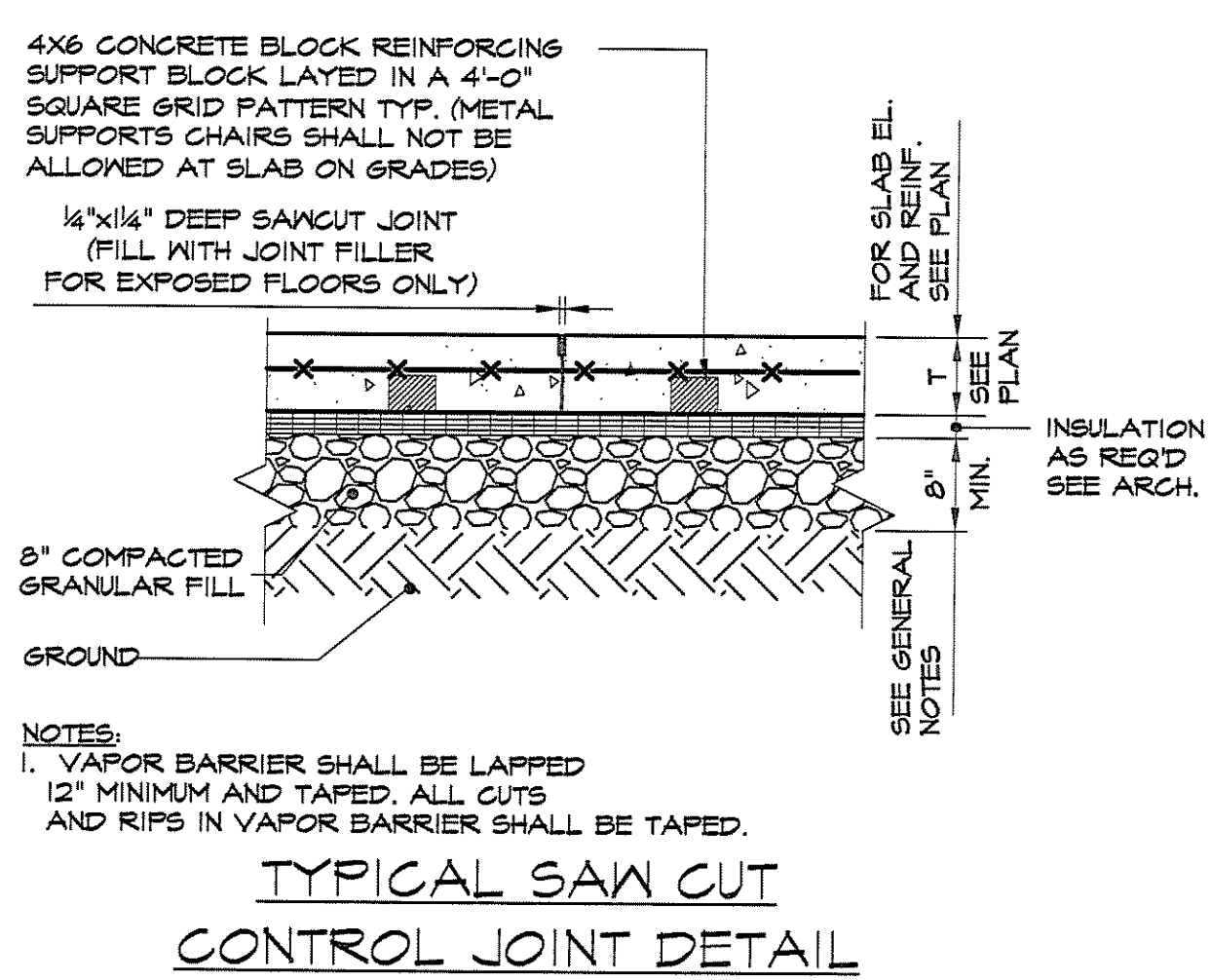
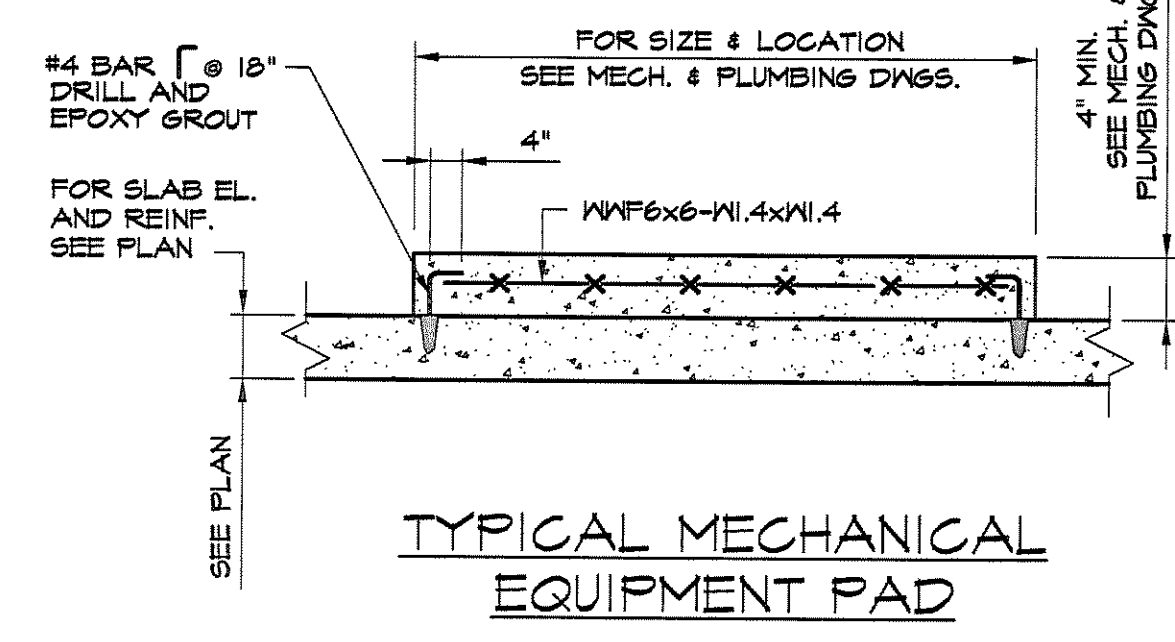
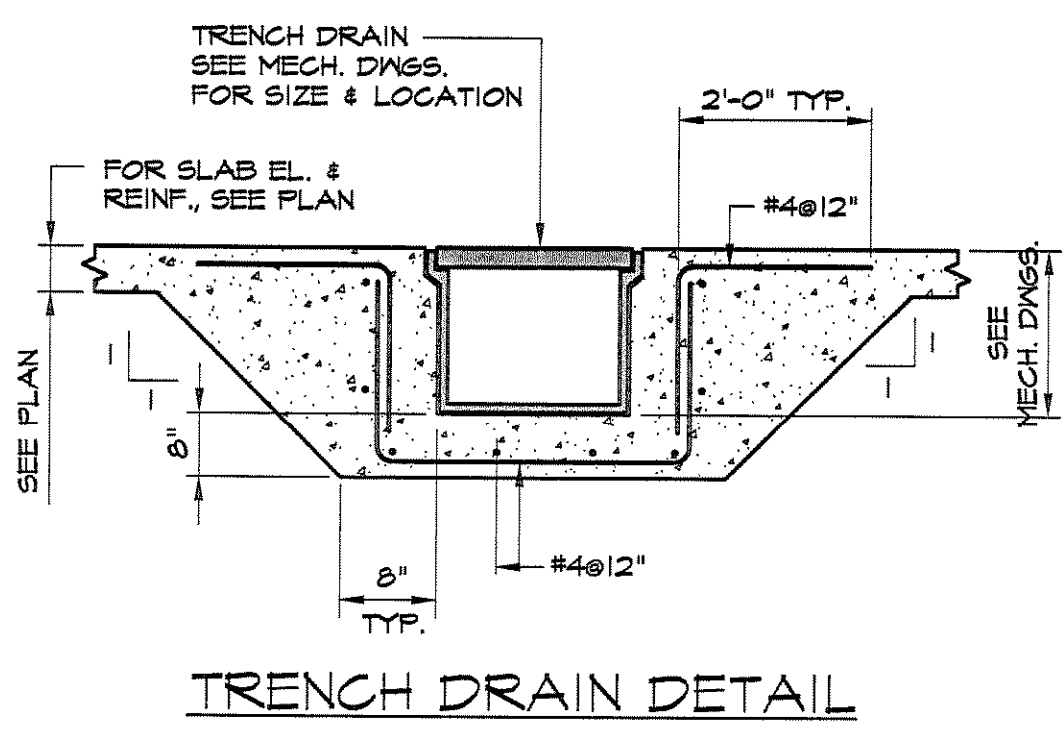


- NOTE:**
1. PROVIDE LADDER TYPE HORIZONTAL REINFORCING AT 16" O.C.
 2. FOR HORIZONTAL BOND BEAMS & ELEVATIONS, SEE GROUTING DETAILS, PLANS & SECTIONS.



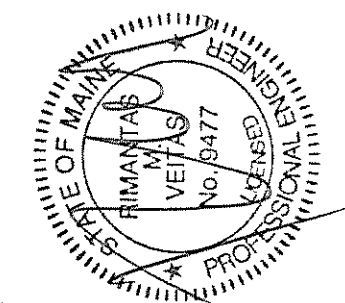
OPENING	LINTEL	BEARING EACH END	REMARKS
3'-6" OR LESS	3/2x3/2x1/4	4"	---
OVER 3'-6" THRU 5'-6"	4x3/2x1/4	6"	LLV
OVER 5'-6" THRU 7'-6"	6x3/2x1/4	6"	LLV
OVER 7'-6" THRU 8'-6"	6x3/2x3/8	6"	LLV

- NOTES:**
1. WHERE ANGLE LINTELS ARE REQUIRED, PROVIDE ONE ANGLE FOR EACH 4" OR LESS THICKNESS OF MASONRY.
 2. FOR OPENINGS OVER 6'-0", PROVIDE SOLID MASONRY JAMB UNDER LINTEL AT EACH SIDE OF OPENING.
 3. LINTELS INDICATED ON PLAN SUPERSEDE THE REQUIREMENTS OF THIS SCHEDULE.
 4. ALL EXTERIOR LINTELS SHALL BE HOT DIPPED GALVANIZED.
 5. ALL OTHER LINTELS SHALL BE PRIME PAINTED.
 6. FOR LINTELS IN LOAD BEARING WALLS SEE "LOAD BEARING LINTEL SCHEDULE".



TYPICAL WALL SECTION AT DOORWAY WITH CONCRETE PAD

CONTINUOUS STEPPED WALL FOOTING



OWNER:
53 DANFORTH STREET, LP
C/O THE SZANTON COMPANY
 ONE CITY CENTER - 4TH FLOOR
 PORTLAND, ME 04101

ARCHETYPE, P.A.
ARCHITECTS
 48 Union Wharf Portland, Maine 04101
 (207) 772-6022 Fax (207) 772-4056

53 DANFORTH
 53 DANFORTH STREET
 PORTLAND, MAINE

Project:

28 May 2008 - 50% MSHA Submittal
01 July 2008 - 90% MSHA Submittal
15 July 2008 - Pricing Set
25 July 2008 - 100% MSHA Submittal

Revisions:
 Scale: 1/8" = 1'-0"
 Date: 28 May 2008

S2.02

VEITAS and VEITAS
 engineers

639 Granite Street, Suite 101
 Braintree, Massachusetts 02184
 TEL (781)843-2863 FAX (781)849-2063