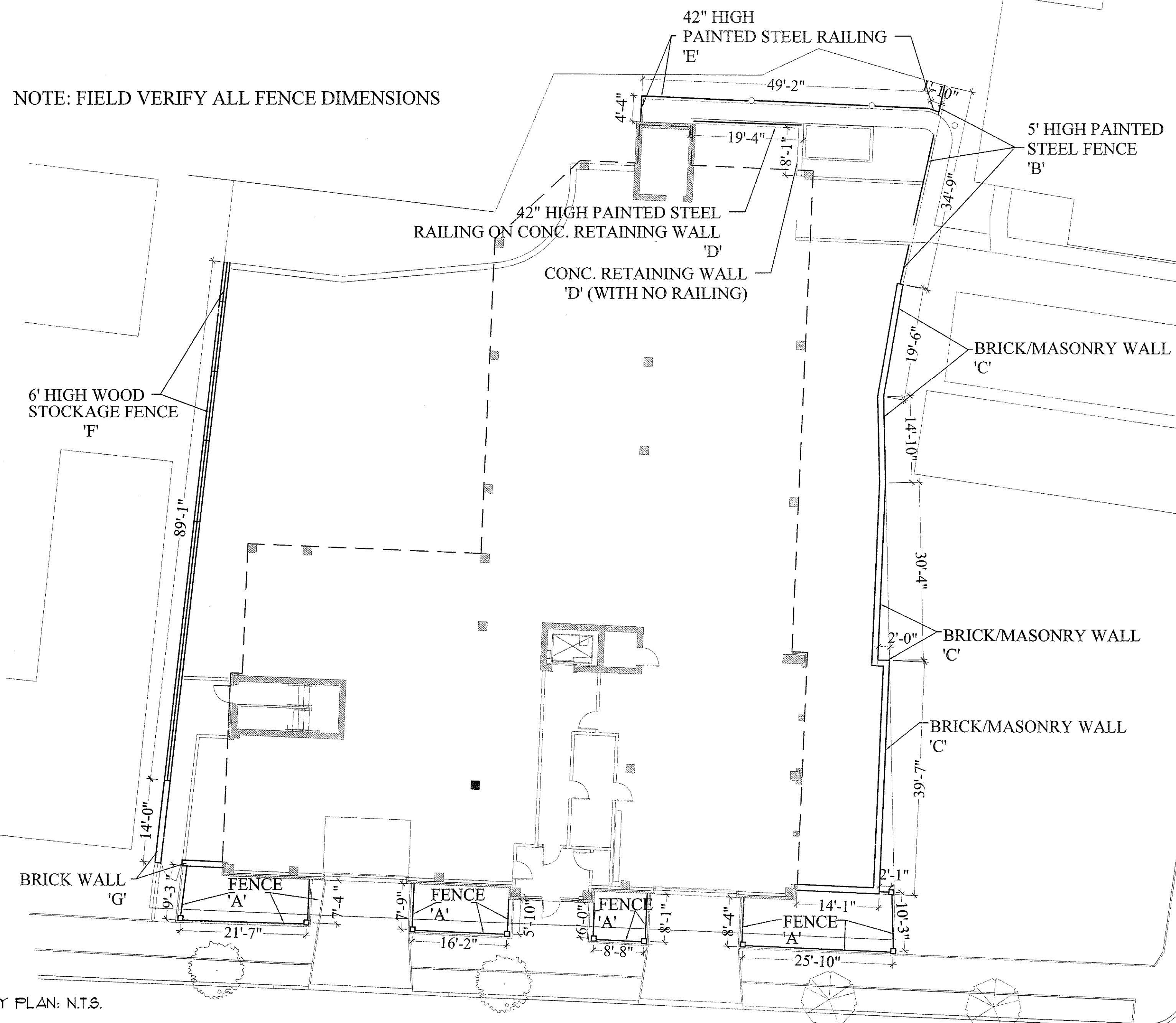
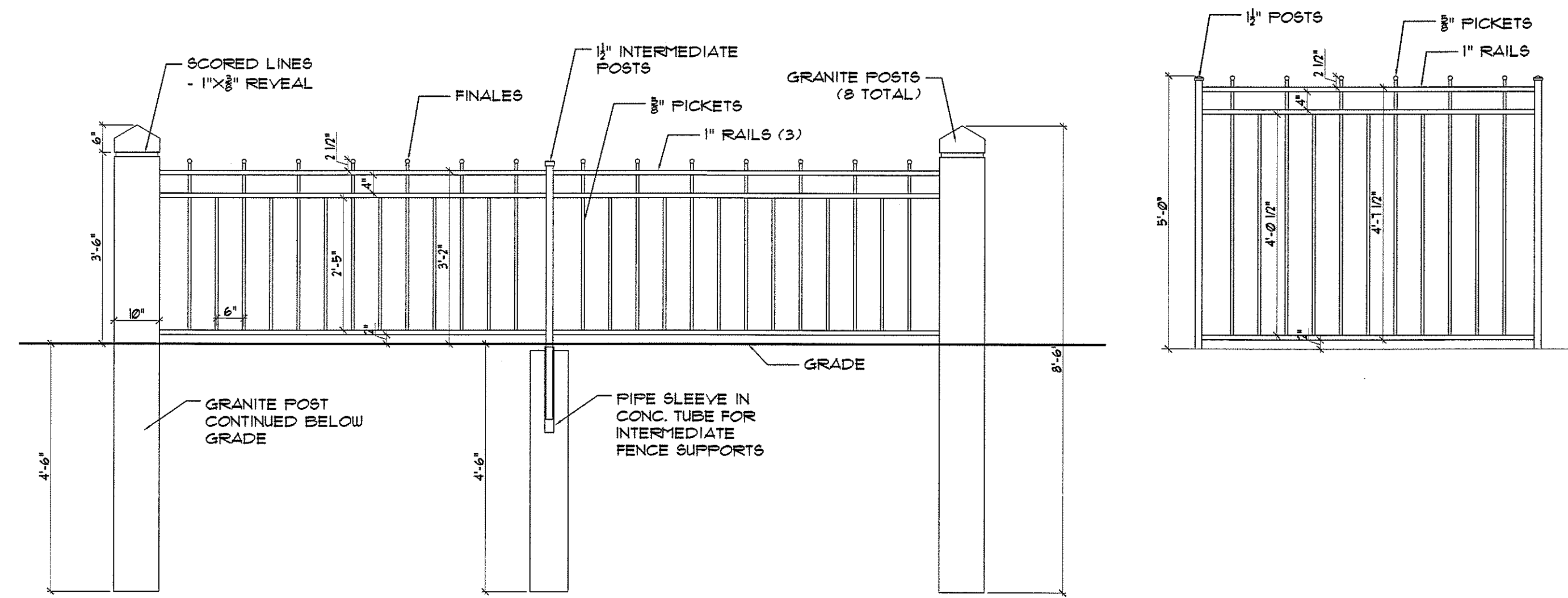


NOTE: FIELD VERIFY ALL FENCE DIMENSIONS

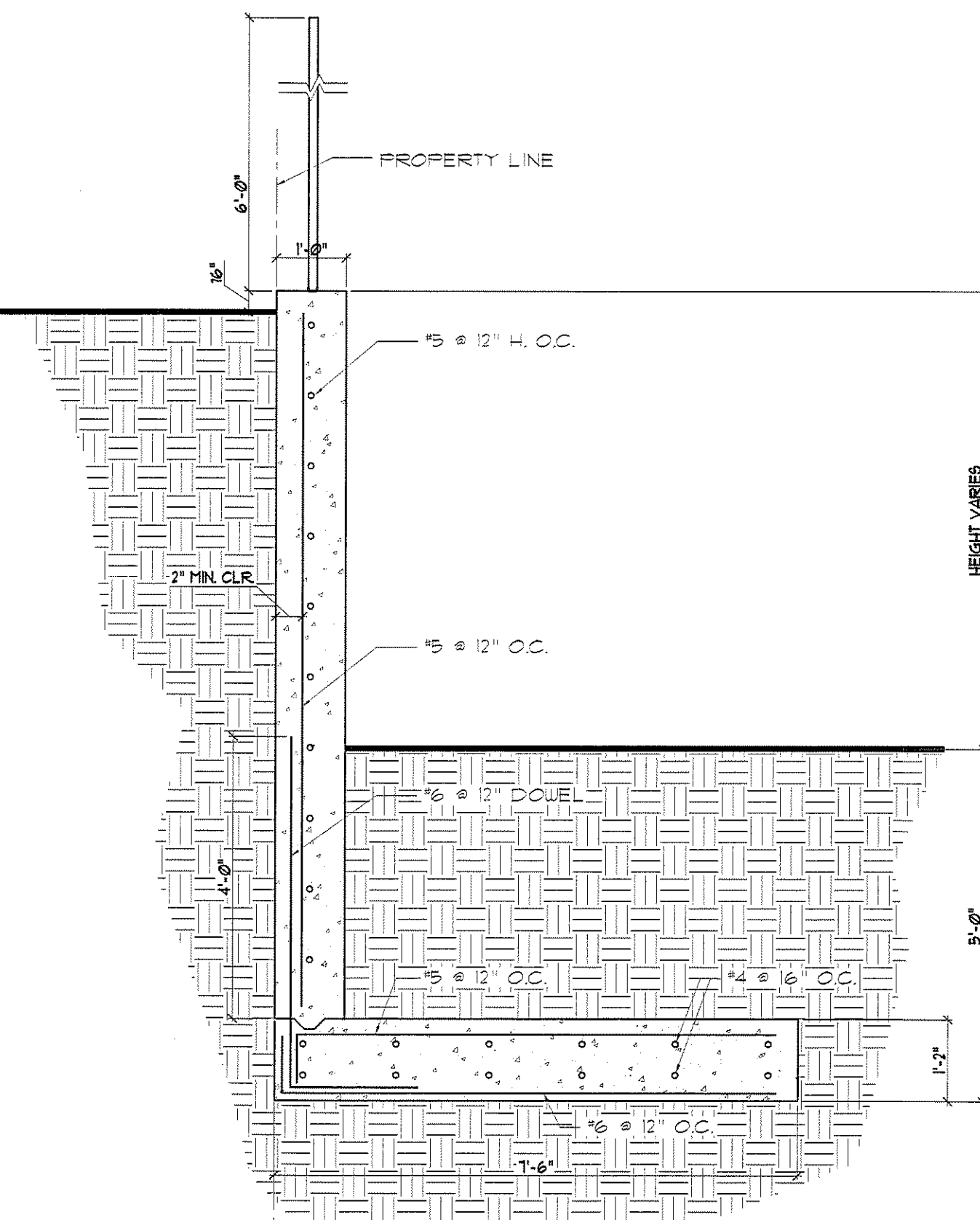


KEY PLAN: N.T.S.

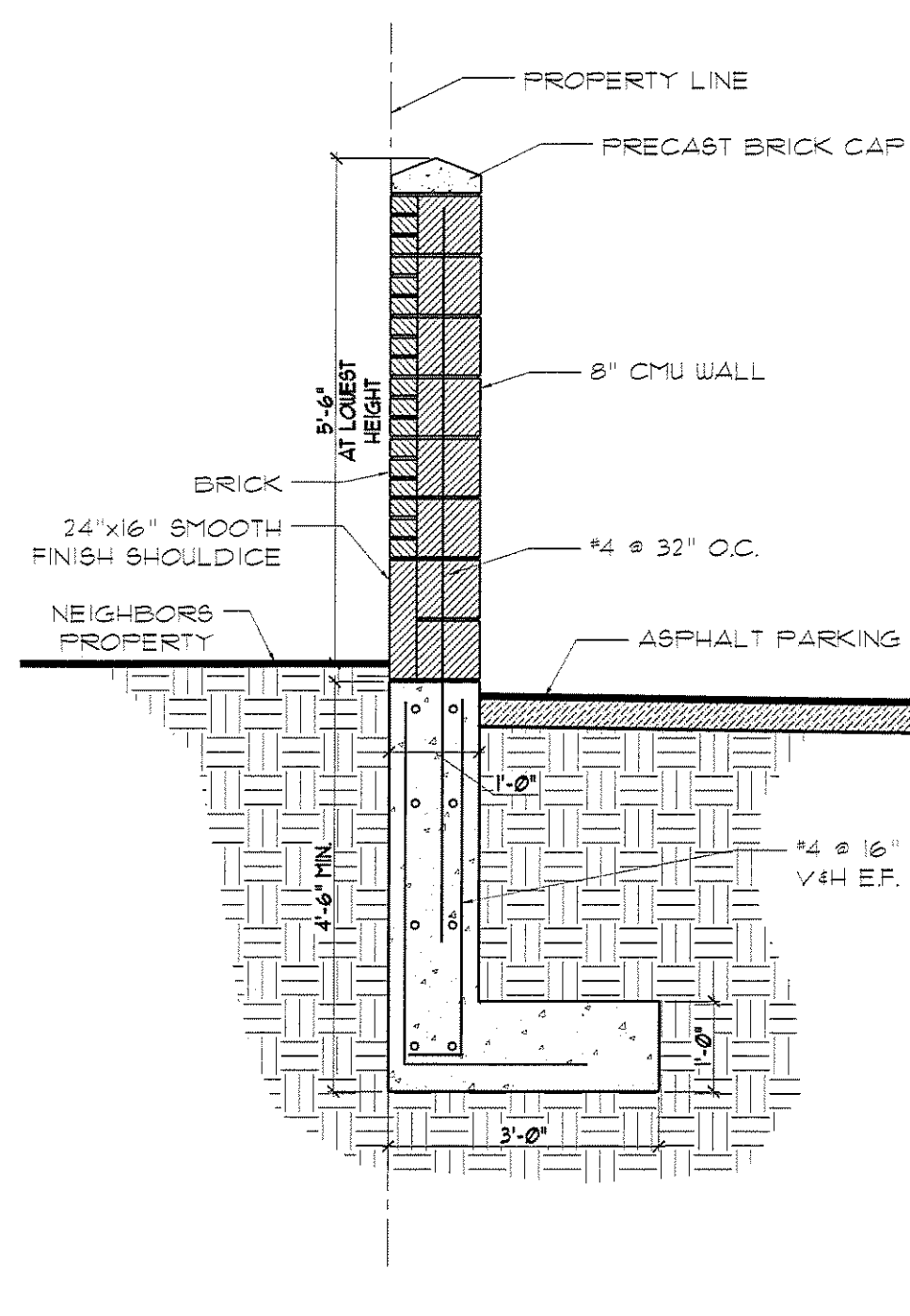


A TYPICAL METAL FENCE ELEVATION  
SCALE: 1/2"=1'-0"

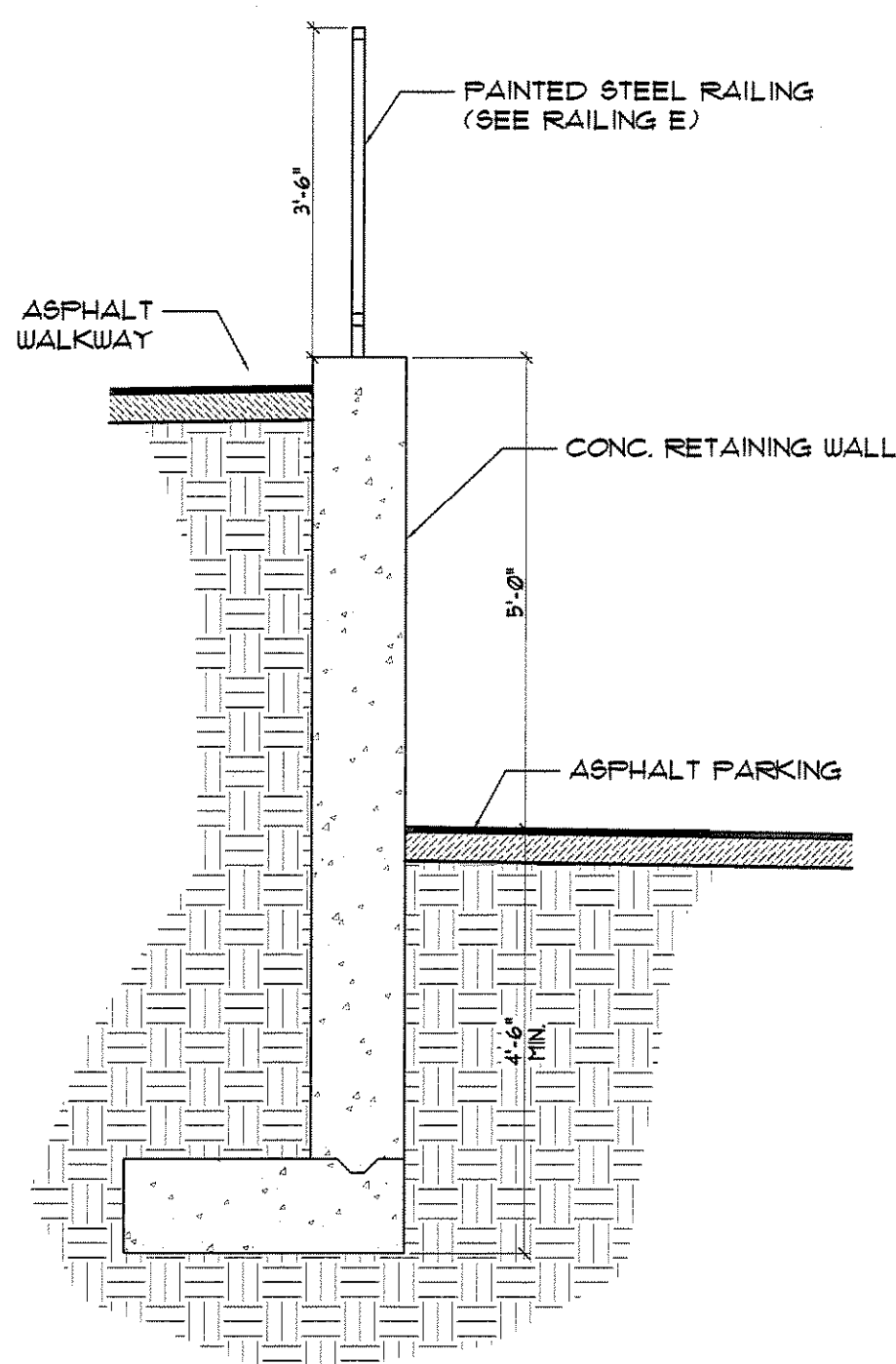
B PAINTED STEEL FENCE  
SCALE: 1/2"=1'-0"



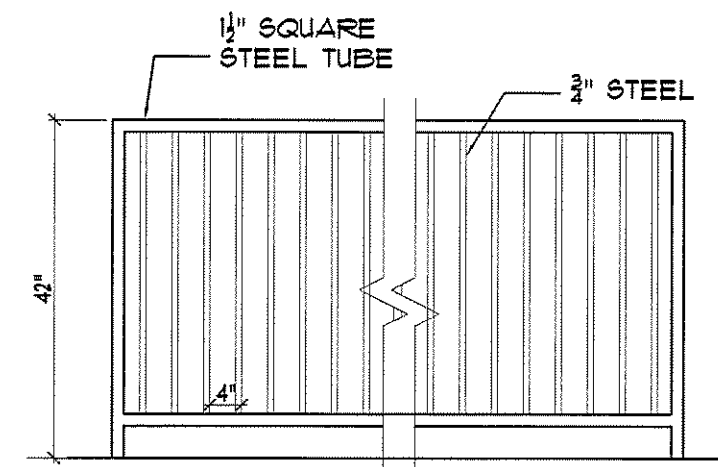
F RETAINING WALL STOCKADE  
SCALE: 1/2"=1'-0"



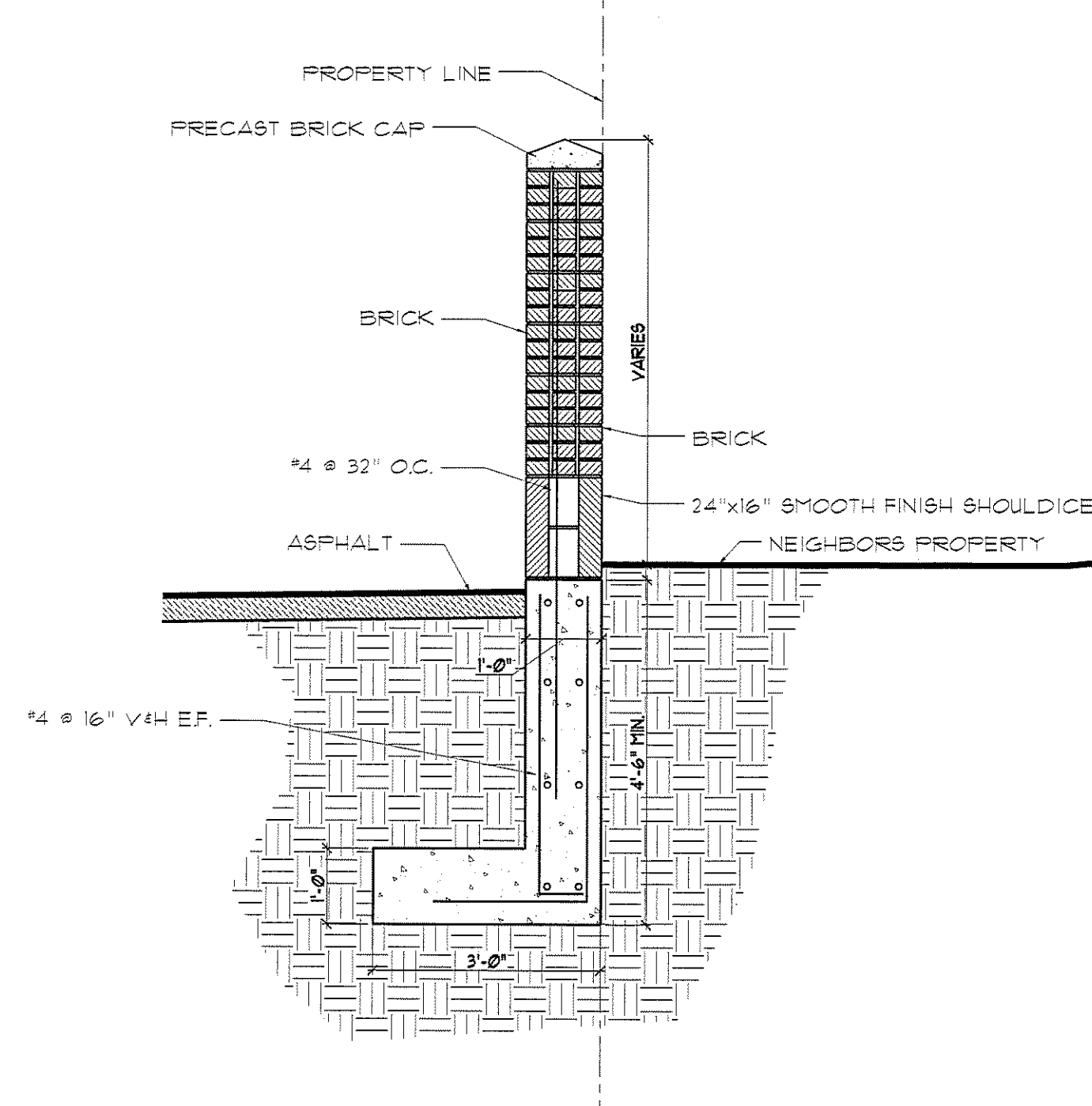
C BRICK MASONRY WALL  
SCALE: 1/2"=1'-0"



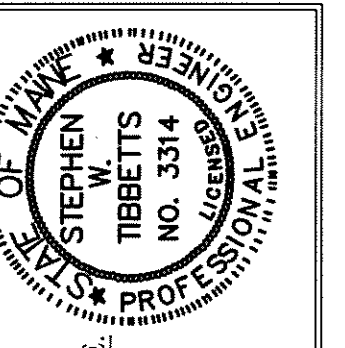
D PAINTED STEEL RAILING ON CONC. RETAINING WALL  
SCALE: 1/2"=1'-0"



E PAINTED STEEL RAIL  
SCALE: 1/2"=1'-0"



G BRICK WALL  
SCALE: 1/2"=1'-0"



ENGINEERING:  
STEPHEN W. TIBBETTS, P.E.  
Consulting Civil Engineer  
15 Oak Ridge Rd., Brunswick, Maine 04011  
(207) 725-5667 Fax (207) 725-5667

OWNER:

ARCHITECTS  
ARCHETYPE, P.A.  
48 Union Wharf Portland, Maine 04101  
(207) 772-6022 Fax (207) 772-4056

Project:  
53 DANFORTH STREET  
53 DANFORTH STREET  
PORTLAND, ME

Date:	15 APRIL 2008
Scale:	AS NOTED
Revisions:	15 JULY 2008 - 90% MSHA Submittal
	15 JULY 2008 - Pricing Set
	25 JULY 2008 - 100% MSHA Submittal

SITE WALL  
AND DETAILS

C4