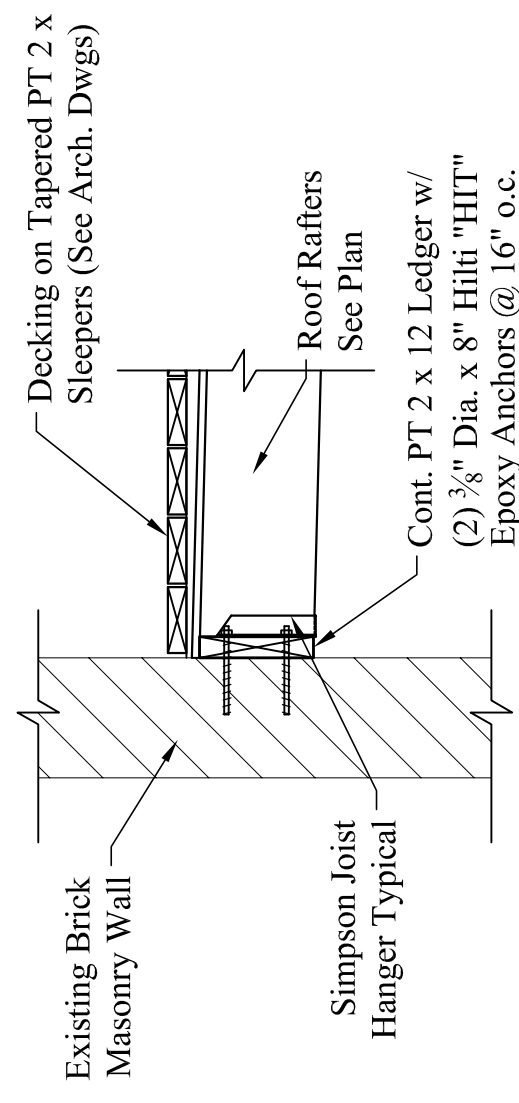
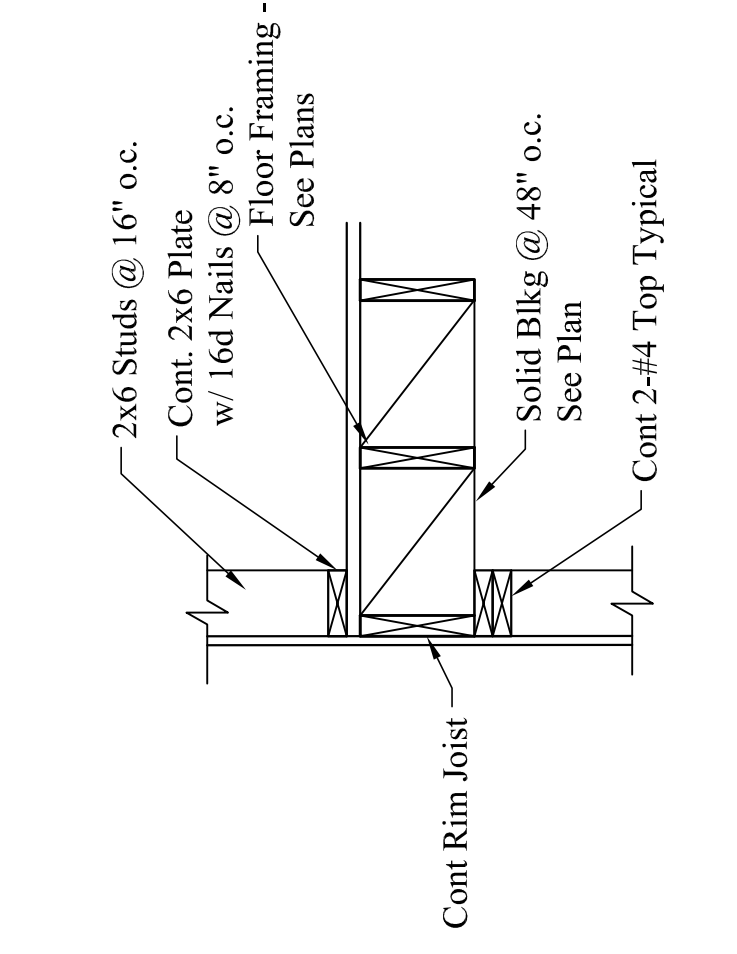


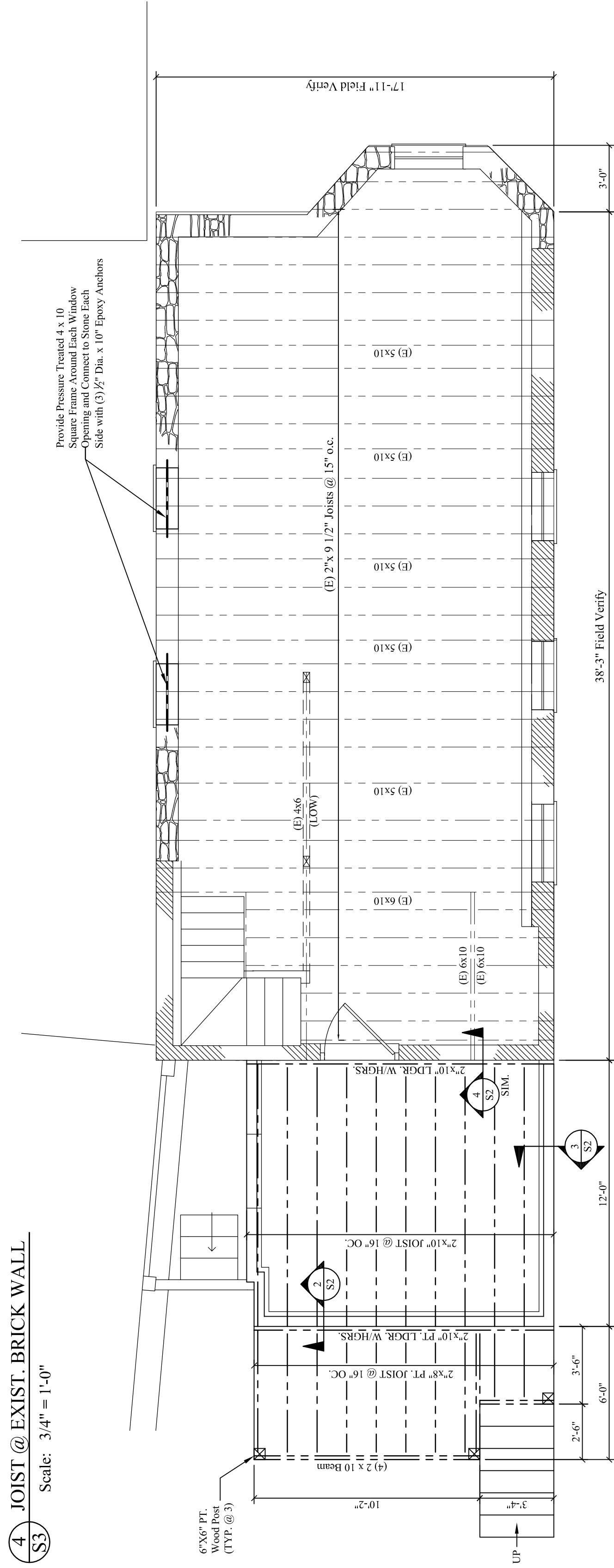
1 JOIST @ EXIST. BRICK WALL
Scale: 3/4" = 1'-0"



2 DECK & JOIST @ STUD WALL
Scale: 3/4" = 1'-0"



3 STUD WALL PARALLEL w/ JOISTS
Scale: 3/4" = 1'-0"



4 JOIST @ EXIST. BRICK WALL
Scale: 3/4" = 1'-0"

FRAMING NOTES:
1. See Structural notes, sheet S-3.
2. Field verify all existing conditions prior to starting work. Notify Engineer of any discrepancies.
3. See architectural drawings for information and dimensions not shown.
4. All considerations for utilities is the responsibility of the contractor.
5. Provide (3) 2 x 10 header at all door and window openings unless noted.

FIRST FLOOR FRAMING PLAN