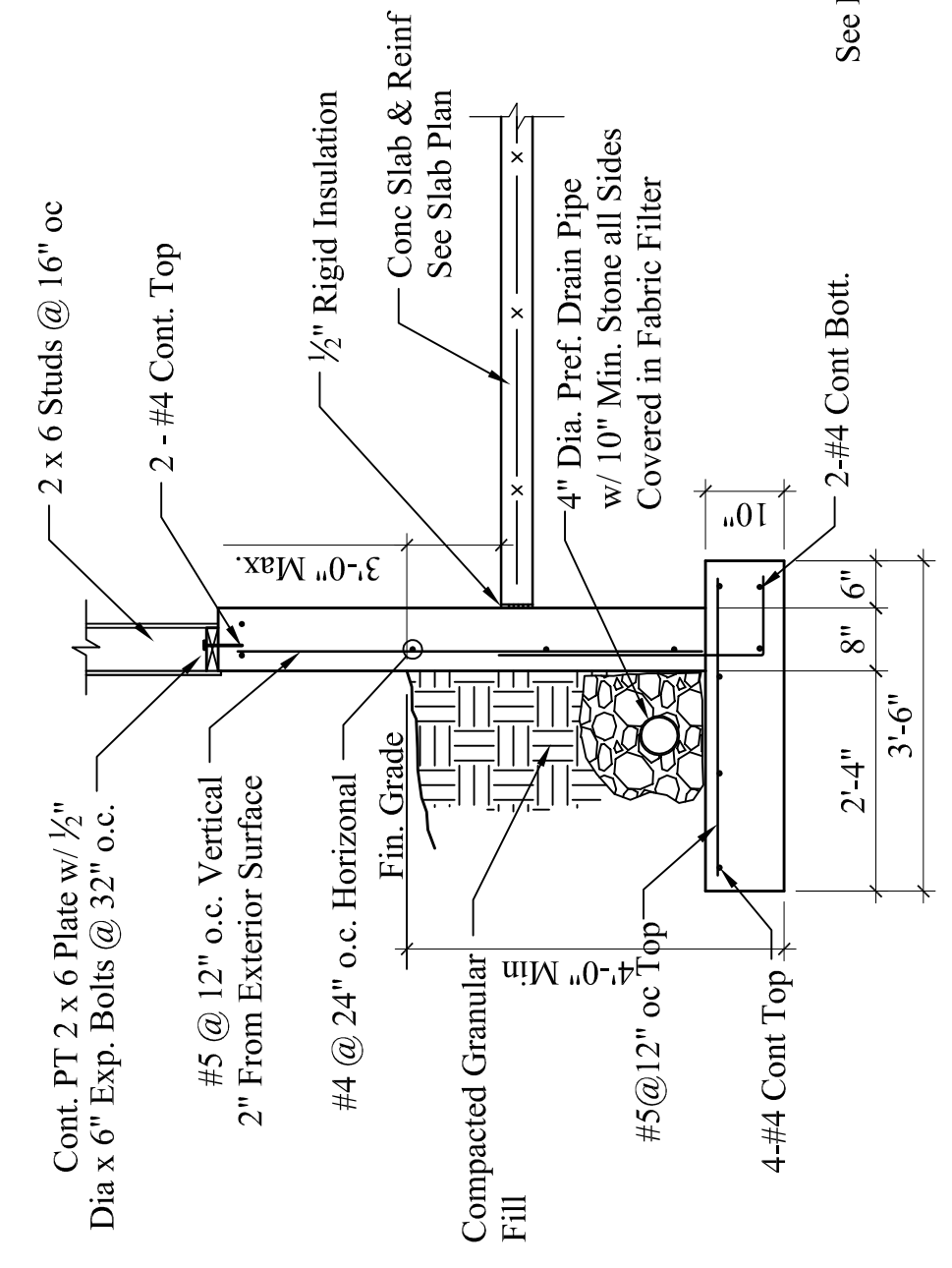
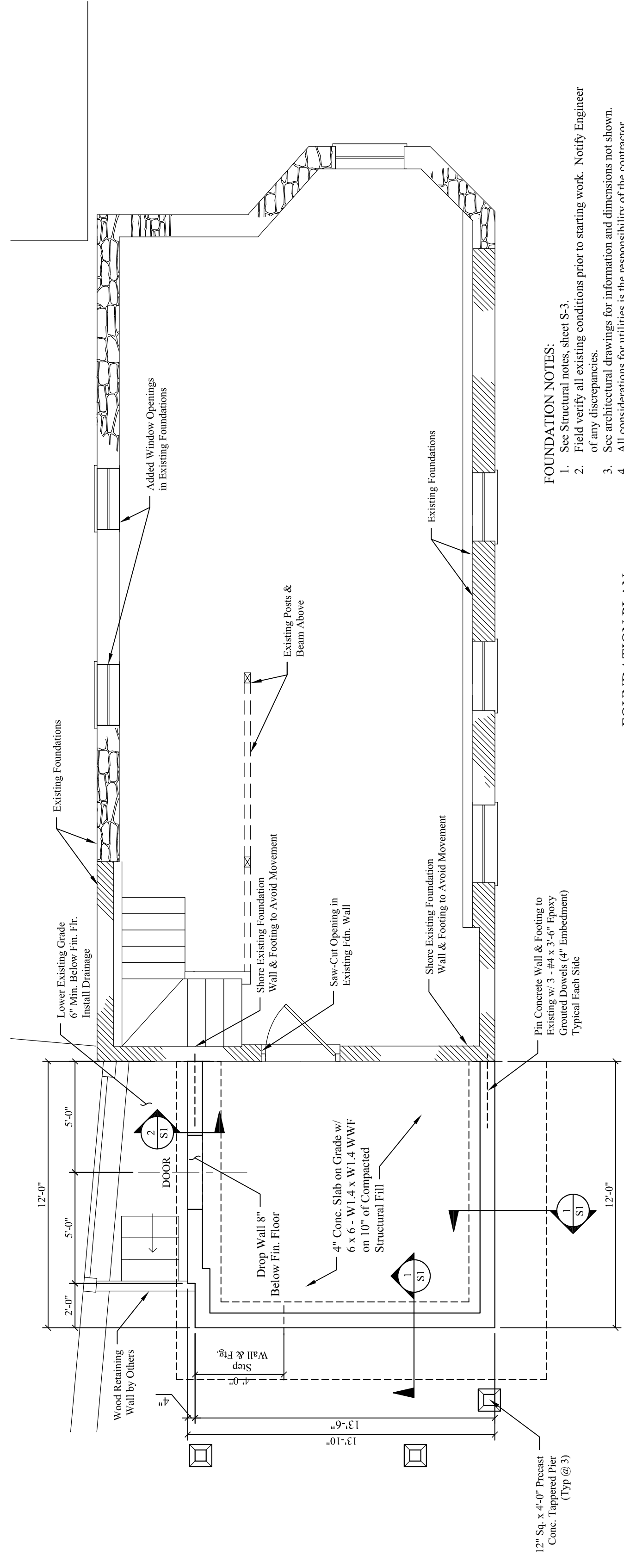


**2 TYP. WALKOUT FROST WALL**  
 Scale: 1/2" = 1'-0"



**1 TYPICAL BASEMENT WALL**  
 Scale: 1/2" = 1'-0"



**FOUNDATION NOTES:**  
 1. See Structural notes, sheet S-3.  
 2. Field verify all existing conditions prior to starting work. Notify Engineer of any discrepancies.  
 3. See architectural drawings for information and dimensions not shown.  
 4. All considerations for utilities is the responsibility of the contractor.

**FOUNDATION PLAN**  
 SCALE: 1/4"=1'-0"